

Honda S2000

2006+

Parts Catalog

May 2018

Compiled May 2018, using Lings Honda Parts - <http://www.lingshondaparts.com/>

Prices were correct when compiled, always check for current prices and availability.

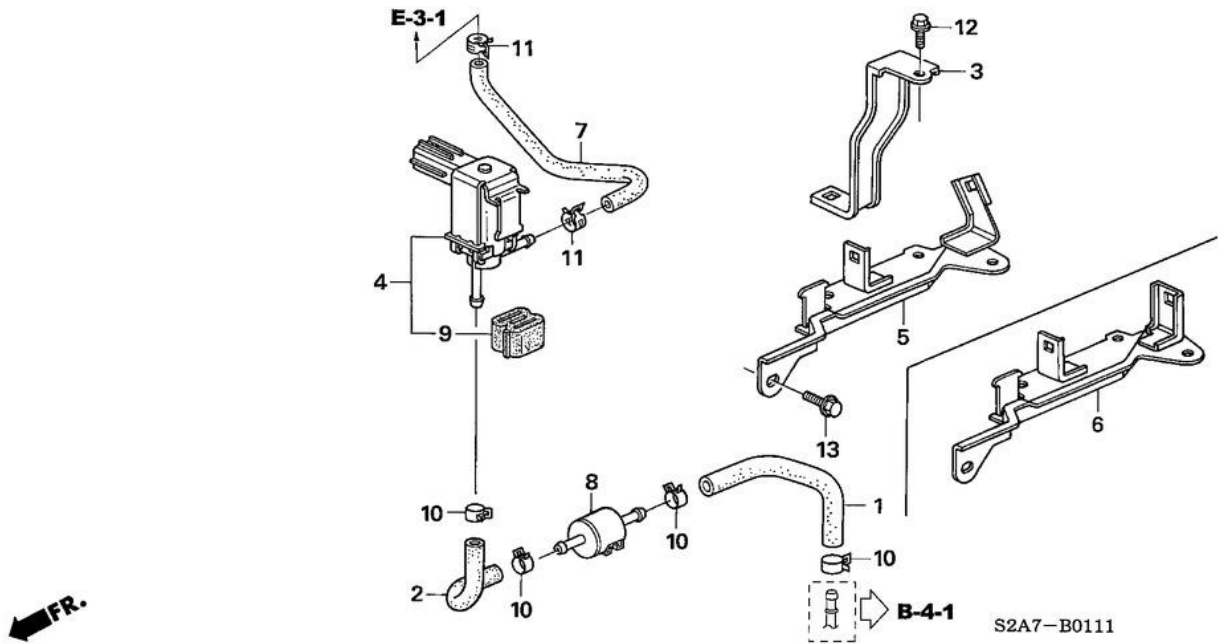
Contents

B-1-1	PURGE CONTROL SOLENOID VALVE ('06-)	1
B-1-2	VACUUM TANK	6
B-1-3	AIR PUMP	7
B-2	EXHAUST PIPE/SILENCER	8
B-3-1	FUEL TANK ('06-)	9
B-4-1	FUEL PIPE ('06-)	11
B-5	RADIATOR (DENSO)	13
B-5-10	RADIATOR HOSE	14
B-1	AIR CLEANER	15
B-6-1	BATTERY (RH)	16
B-7-1	WIRE HARNESS (RH)	17
B-7-10	HARNESS BAND/BRACKET	18
B-8-1	HEADLIGHT ('04-)	20
B-9-1	TAILLIGHT ('04-)	21
B-10	INTERIOR LIGHT	22
B-11	COMBINATION SWITCH	23
B-11-11	SWITCH (RH)	24
B-12-11	METER COMPONENTS (NS) ('04-)	25
B-13-1	CONTROL UNIT(ENGINE ROOM) (RH)	26
B-13-11	CONTROL UNIT (CABIN) (RH)	28
B-13-43	SRS UNIT (RH)('06-)	30
B-14-1	FRONT WINDSHIELD WIPER (RH)	31
B-15	WINDSHIELD WASHER	32
B-16	RADIO ANTENNA/SPEAKER	35
B-16-10	AUTO RADIO	36
B-17-1	HEATER CONTROL (RH)	37
B-17-11	HEATER BLOWER (RH)	38
B-17-21	HEATER UNIT (RH)	40
B-17-31	WATER VALVE (RH)	41
B-18	TIRE/WHEEL DISKS	42
B-19-10	REAR BRAKE	44
B-20	PROPELLER SHAFT	46
B-20-10	REAR DIFFERENTIAL	47
B-20-20	REAR DIFFERENTIAL MOUNT	49
B-20-30	REAR DRIVESHAFT	50
B-22	FRONT BRAKE	51
B-23-1	PEDAL (RH)	53
B-23-10	ACCELERATOR SENSOR	55
B-23-23	CLUTCH MASTER CYLINDER (RH) ('04-)	56

B-24	BRAKE MASTER CYLINDER/ MASTER POWER	58
B-24-13	ABS MODULATOR (RH) ('04-).....	59
B-25-13	BRAKE LINES (ABS) (RH) ('04-)	60
B-26	PARKING BRAKE.....	61
B-27	FRONT KNUCKLE.....	62
B-28	FRONT SHOCK ABSORBER.....	64
B-29	REAR STABILIZER/ REAR LOWER ARM	65
B-30	REAR SHOCK ABSORBER	67
B-31-10	STEERING WHEEL (SRS).....	68
B-32	STEERING COLUMN	69
B-33-11	P.S. GEAR BOX (RH).....	70
B-34	SHIFT LEVER	71
B-36	FLOOR MAT	72
B-36-10	GROMMET	74
B-37-1	INSTRUMENT PANEL (RH).....	75
B-37-11	INSTRUMENT PANEL GARNISH (RH)	77
B-37-21	DUCT (RH).....	78
B-37-41	CONSOLE ('04-)	79
B-38-10	SOFT TOP FRAME.....	81
B-38-21	SOFT TOP CLOTH ('02-)	84
B-39	PILLAR GARNISH	85
B-39-10	DOOR LINING.....	87
B-39-31	ROLL BAR GARNISH ('06-)	89
B-39-40	TRUNK LINING	90
B-39-50	REAR TRAY	91
B-40	SEAT	92
B-40-10	SEAT COMPONENTS (L.)	94
B-40-20	SEAT COMPONENTS (R.).....	95
B-41-20	SEATBELTS	96
B-42	EMBLEMS/CAUTION LABELS.....	97
B-42-10	MOLDING/PROTECTOR.....	98
B-43	MIRROR	100
B-44	TOOLS/JACK.....	102
B-46	BUMPERS.....	103
B-47	ENGINE MOUNTS.....	106
B-48	CROSS BEAM.....	107
B-49	FRONT BULKHEAD/DASHBOARD	108
B-49-10	FLOOR/INNER PANELS	110
B-49-20	OUTER PANELS/REAR PANEL.....	112
B-50	FRONT FENDERS	114

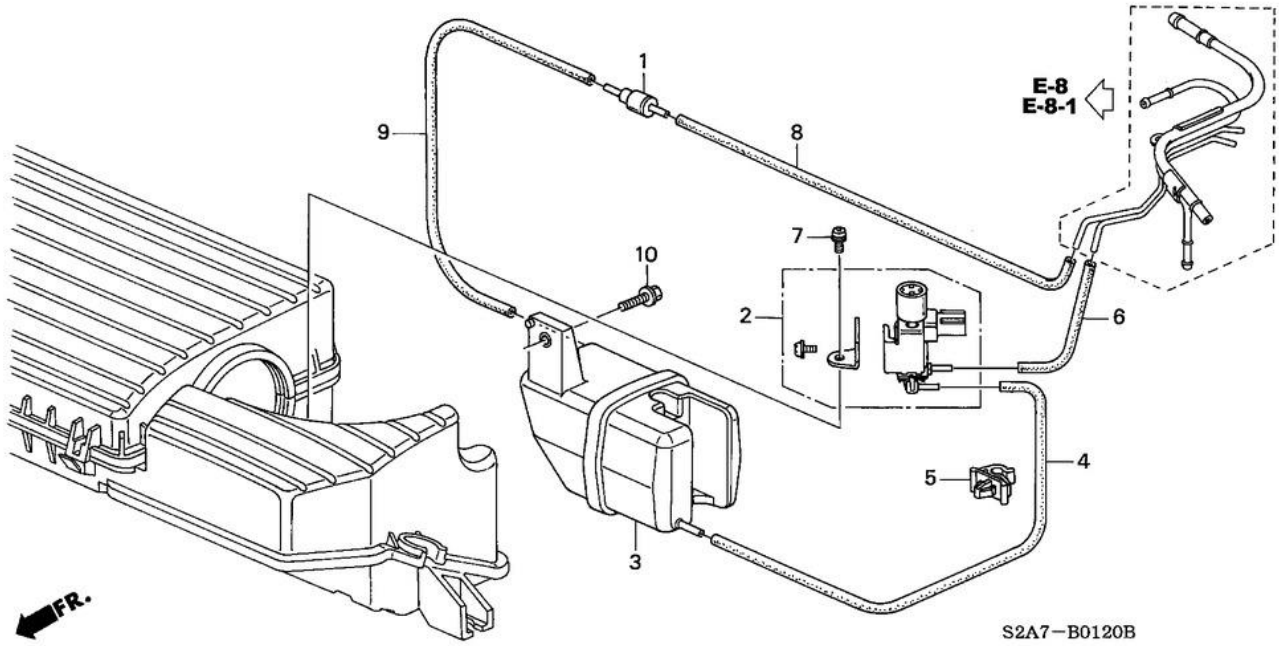
B-51-1	ENGINE HOOD (RH)	115
B-52	FRONT WINDSHIELD	117
B-53	DOOR WINDOWS/REGULATOR	118
B-53-10	DOOR LOCKS/OUTER HANDLE	120
B-53-20	DOOR PANELS	123
B-55-10	TRUNK LID	125
B-57	AIR CONDITIONER (COMPRESSOR)	127
B-58	AIR CONDITIONER (CONDENSER)	128
B-60	AIR CONDITIONER (HOSES/PIPES) (RH)	129
B-70	ROOF PANEL (HARD TOP)	130
B-71	ROOF LINING (HARD TOP)	132
Z-12	WIRE HARNESS (HARD TOP)	133
E-1-1	THROTTLE BODY ('06-)	134
E-3-1	INTAKE MANIFOLD ('06-)	135
E-4	EXHAUST MANIFOLD	137
E-5	PLUG HOLE COIL	138
E-6	AUTO TENSIONER BRACKET	139
E-6-10	ALTERNATOR (DENSO)	140
E-7-1	ENGINE WIRE HARNESS (RH)	141
E-7-10	STARTER MOTOR (DENSO)	142
E-8-1	BREATHER PIPE ('06-)	143
E-9-1	CYLINDER HEAD COVER ('06-)	144
E-10	CYLINDER HEAD	145
E-11	CAMSHAFT/CAM CHAIN	147
E-11-10	CHAIN CASE	148
E-12	VALVE/ROCKER ARM	149
E-13	OIL PUMP/OIL STRAINER	150
E-14	CYLINDER BLOCK/OIL PAN	151
E-15	WATER PUMP	152
E-15-11	WATER HOSE ('06-)	153
E-16	PISTON/CRANKSHAFT	154
E-18	CLUTCH	156

B-1-11 PURGE CONTROL SOLENOID VALVE ('06-)



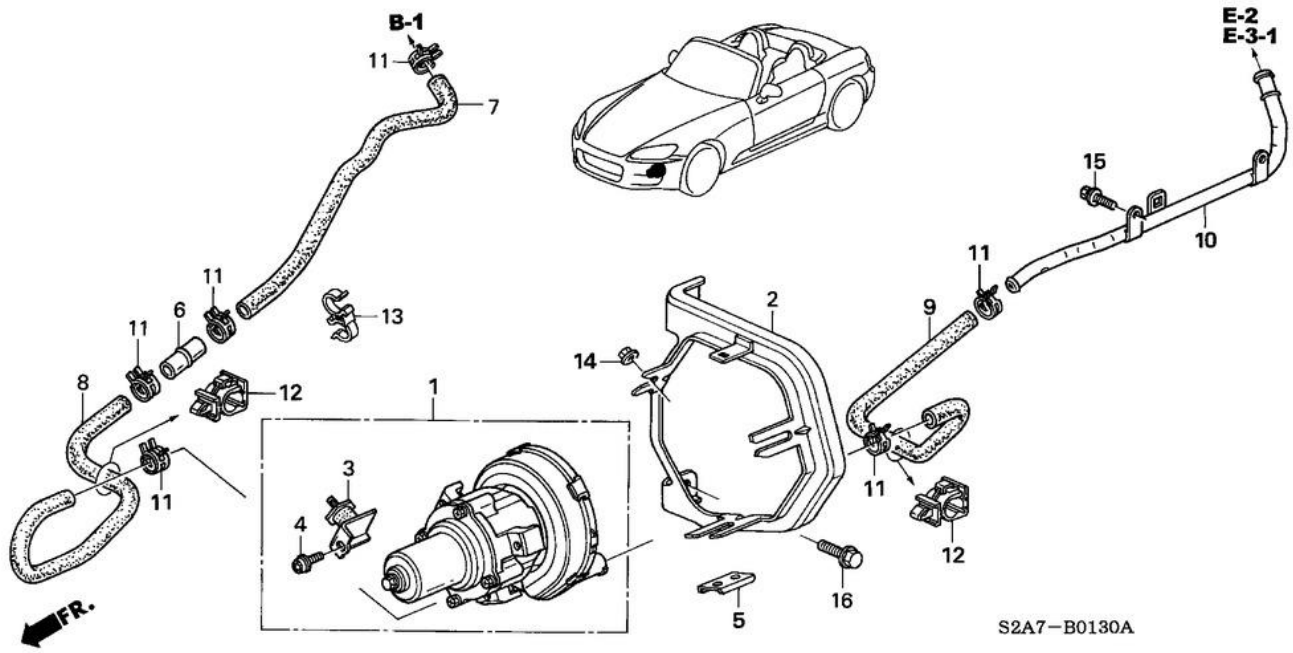
Ref	Part No	Honda Part No	Description	Price (Each)	Req Qty
1	PFKL373890	17717S2AA30	TUBE A, PURGE	£7.43	1
2	PFKL373906	17718S2A950	TUBE B, PURGE	£0.00	1
3	PFKL374435	17729S2A930	STAY, PURGE TUBE	£7.78	1
4	PFKL538549	36160PCX003	VALVE ASSY., PURGE CONTROL SOLENOID	£227.49	1
6	PFKL538681	36164PCX000	STAY COMP., PURGE CONTROL SOLENOID	£0.00	1
7	PFKL538708	36165PCXJ01	HOSE, PURGE	£7.38	1
8	PFKL538753	36166PAAA01	JOINT, PURGE	£18.69	1
9	PFKL538771	36166P0AA01	RUBBER, MOUNTING	£7.60	1
10	PFKL1011295	91406SAA000	CLAMP, TUBE (D12)	£2.57	4
11	PFKL1011331	91408SDB000	CLAMP, TUBE (D13.0)	£7.97	2
12	PFKL1017477	934050601608	BOLT-WASHER, 6X16	£2.38	1
13	PFKL1028254	957010601208	BOLT, FLANGE, 6X12	£1.92	2

B-1-20 VACUUM TANK

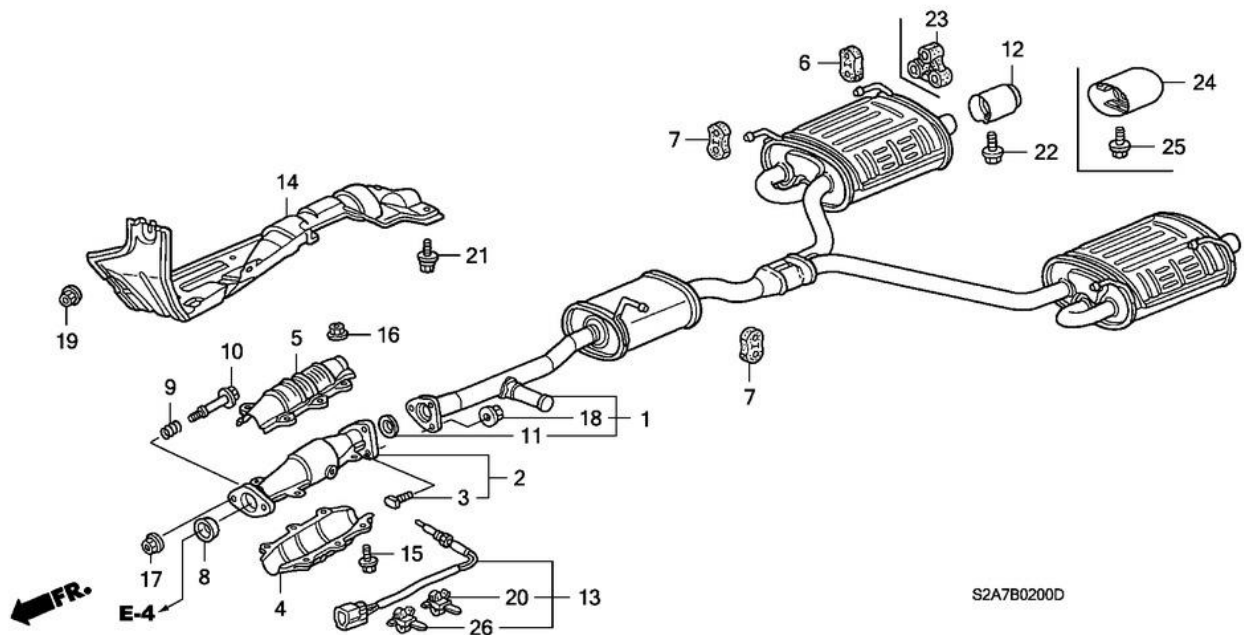


Ref	Part No	Honda Part No	Description	Price (Each)	Req Qty
1	PFKL538471	36145PM4004	VALVE, CHECK	£48.63	1
2	PFKL538656	36163PCXG01	VALVE ASSY., SECOND AIR CONTROL	£144.57	1
3	PFKL539263	36351PCXG01	TANK COMP., VACUUM	£27.97	1
4	PFKL539278	36353PCX000	TUBE A, SECOND AIR CONTROL SOLENOID	£9.30	1
5	PFKL539279	36354PCX003	CLAMP, TUBE (3.5)	£4.16	3
6	PFKL539280	36355PCX000	TUBE B, SECOND AIR CONTROL SOLENOID	£7.47	1
7	PFKL1019756	938920501007	SCREW-WASHER, 5X10	£1.56	1
8	PFKL1025311	950053520010S	TUBE, 3.5X200 (95005-35001-10M)	£5.54	1
9	PFKL1025712	950053530010S	TUBE, 3.5X265 (95005-35001-10M)	£6.75	1
10	PFKL1028277	957010601608	BOLT, FLANGE, 6X16	£1.92	1

B-1-30 AIR PUMP



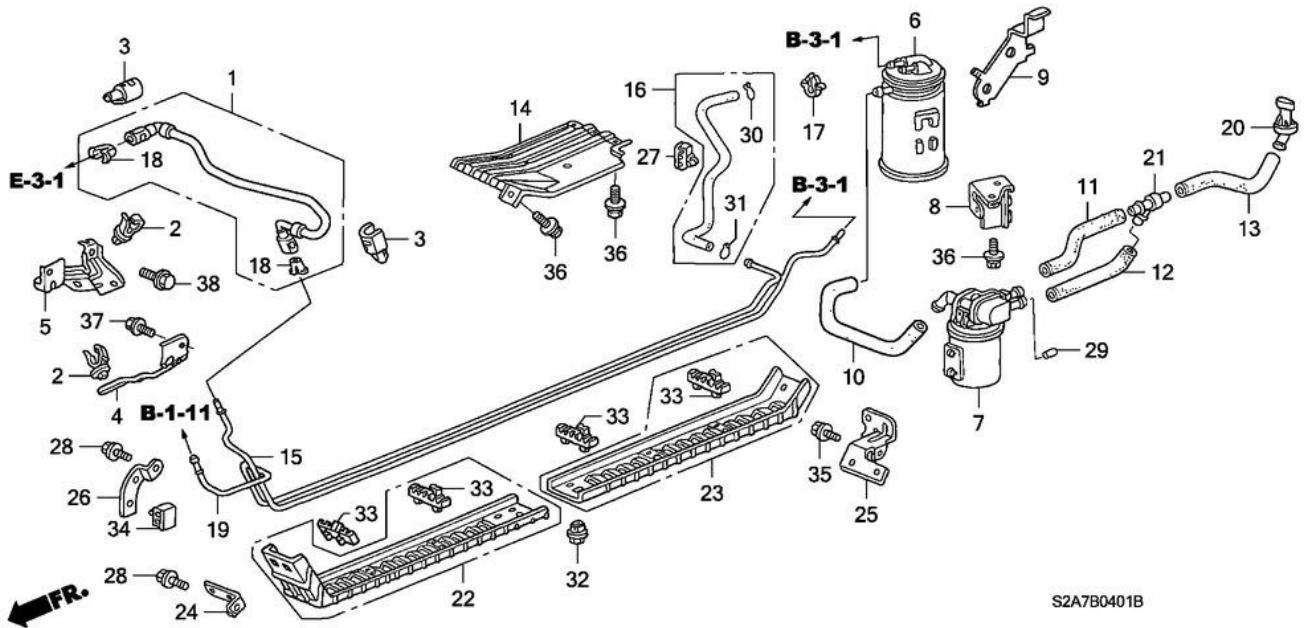
Ref	Part No	Honda Part No	Description	Price (Each)	Req Qty
1	PFKL396544	18760PCX003	PUMP ASSY., AIR	£1,328.80	1
2	PFKL396565	18761PCX000	BASE COMP., AIR PUMP	£28.19	1
3	PFKL396567	18762PCX003	GROMMET	£5.02	5
4	PFKL396568	18763PCX003	SCREW	£2.75	3
5	PFKL396570	18764PCX000	COLLAR, AIR PUMP BASE	£3.96	2
6	PFKL396612	18791PCX000	JOINT, SECOND AIR HOSE	£0.00	1
7	PFKL396614	18793PCX000	HOSE A, SECOND AIR	£34.85	1
8	PFKL396629	18797PCX000	HOSE B, SECOND AIR	£0.00	1
9	PFKL396633	18798PCX000	HOSE C, SECOND AIR	£27.87	1
10	PFKL396641	18801PCXG00	PIPE COMP., SECOND AIR	£0.00	1
11	PFKL407190	19517KM9000	CLIP, WATER HOSE	£6.75	6
12	PFKL1012556	91536SR3003	CLIP, SUCTION PIPE (BLACK)	£7.31	2
13	PFKL1012829	91551SD5003	CLAMP, HEATER	£4.99	1
14	PFKL1021328	9405006080	NUT, FLANGE, 6MM	£2.23	5
15	PFKL1028254	957010601208	BOLT, FLANGE, 6X12	£1.92	2
16	PFKL1028447	957010801608	BOLT, FLANGE, 8X16	£2.21	2



Ref	Part No	Honda Part No	Description	Price (Each)	Req Qty
1	PFKL380656	18030S2AA01	SILENCER SET, EX.	£401.02	1
2	PFKL381803	18160PCXG01	CONVERTER COMP.	£1,657.92	1
3	PFKL382271	18176P08003	BOLT, CONVERTER	£7.06	3
4	PFKL382288	18181PCXA00	COVER COMP., LOWER	£151.88	1
5	PFKL382375	18182PCXA00	COVER COMP., UPPER	£162.06	1
7	PFKL383494	18215S2A000	RUBBER, EX. MOUNTING	£8.51	3
8	PFKL384654	18229PCX003	GASKET, EX. FLEXIBLE	£33.73	1
9	PFKL384707	18230SV4000	SPRING, FLEXIBLE JOINT	£5.35	2
10	PFKL384776	18231SR3A22	BOLT B, FLEXIBLE JOINT	£4.82	2
11	PFKL387323	18302SP0003	GASKET, EX. PIPE	£7.02	1
13	PFKL540104	36532PZX004	SENSOR, RR. OXYGEN	£259.12	1
14	PFKL802274	74601S2A000	PLATE COMP., FR. FLOOR HEAT BAFFLE	£0.00	1
15	PFKL976714	90023PCX000	BOLT-WASHER, 6X16	£4.55	6
16	PFKL983022	90115SL5A00	NUT, FLANGE, 6MM	£6.52	6
17	PFKL983059	90115659003	NUT, SELF-LOCK, 8MM	£6.07	2
18	PFKL988666	90212SA5003	NUT, SELF-LOCK, 10MM	£1.96	3
19	PFKL989126	90301SV7000	NUT, PAINT CUTTING, 6MM	£7.16	2
20	PFKL1012008	91507P01003	CLIP B, HARNESS BAND (DARK BROWN) (129.4MM)	£4.93	1
21	PFKL1017467	934050601208	BOLT-WASHER, 6X12	£2.21	4
23	PFKL383503	18215S6MJ01	RUBBER, EX. MOUNTING	£6.98	2
24	PFKL389110	18310S2AA02	FINISHER, EX.	£90.29	2
25	PFKL1028241	957010601008	BOLT, FLANGE, 6X10	£1.92	2
26	PFKL1011974	91506P01003	CLIP A, HARNESS BAND (DARK GRAY) (129.4MM)	£4.93	1

33	PFKL802591	74660S84A00	CAP ASSY., FLOOR MAINTENANCE HOLE	£22.64	1
34	PFKL979359	90101S84000	BOLT-WASHER, 5X10	£3.15	11
35	PFKL980094	90103SB0010	NUT, FLANGE, 5MM	£2.81	3
36	PFKL986262	90148S2K003	BOLT, EARTH, 8X16	£7.31	4
37	PFKL986346	90150S04003	BOLT, EARTH, 6X16	£4.45	1
38	PFKL989106	90301SE0J00	NUT, FLANGE, 6MM	£3.92	2
39	PFKL1000123	90700SDA003	CLAMP, FUEL TUBE (D17.0)	£7.07	2
40	PFKL1011266	91405SDA000	CLAMP, TUBE (D10.5)	£2.90	4
41	PFKL1011719	91501S04003	CLIP, INNER FENDER	£3.02	2
42	PFKL1013861	91594S2AA50	HOLDER, FUEL TUBE	£0.00	1
43	PFKL1013900	91595S2AA51	CLAMP, FUEL TUBE	£0.00	1
44	PFKL1014078	91601SH3013	GROMMET, SCREW, 5MM (BLACK)	£4.82	3
45	PFKL1017464	934050601204	BOLT-WASHER, 6X12	£2.21	8
46	PFKL1020227	9390125220	SCREW, TAPPING, 5X12	£1.49	3

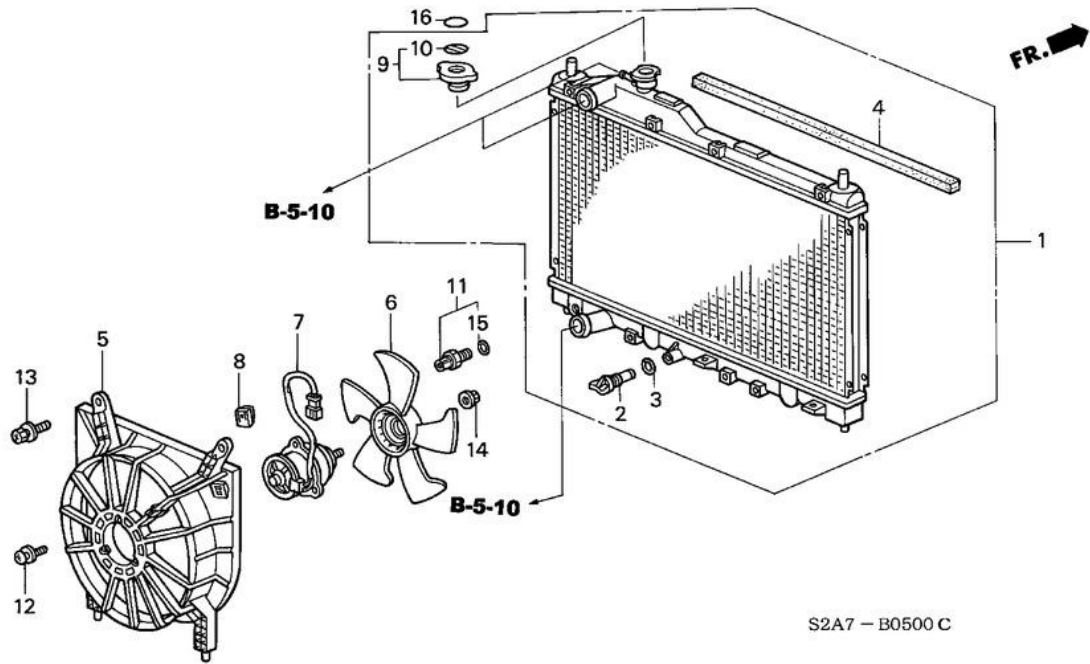
B-4-1 FUEL PIPE ('06-)



Ref	Part No	Honda Part No	Description	Price (Each)	Req Qty
1	PFKL340959	16722PZX003	HOSE COMP., FUEL FEED	£68.68	1
2	PFKL341057	16725RAC003	CLAMP, FUEL HOSE (NATURAL)	£4.19	2
3	PFKL341066	16726PWA004	COVER B, FUEL CONNECTOR (BLACK)	£4.77	2
4	PFKL341120	16731PZX000	STAY B, FUEL HOSE	£0.00	1
5	PFKL341244	16751PZX000	STAY, FUEL HOSE	£0.00	1
6	PFKL358498	17300S1AE11	CANISTER ASSY.	£0.00	1
7	PFKL358767	17315S84A02	FILTER, CANISTER	£118.40	1
8	PFKL359216	17358S2A931	BRACKET, CANISTER	£17.32	1
9	PFKL359268	17359S2A930	STOPPER, CANISTER	£0.00	1
10	PFKL359621	17372S2A931	TUBE, CANISTER	£0.00	1
11	PFKL359662	17373S2A950	TUBE A, DRAIN	£0.00	1
12	PFKL359684	17374S2A950	TUBE, FILTER DRAIN	£0.00	1
13	PFKL359700	17375S2A950	TUBE B, DRAIN	£0.00	1
14	PFKL369351	17538S2A020	COVER, CANISTER	£0.00	1
15	PFKL373131	17700S2AE51	PIPE, FUEL FEED	£41.52	1
16	PFKL373314	17703S2A930	TUBE ASSY., CANISTER	£15.87	1
17	PFKL373425	17706SC3003	CLIP, FUEL PIPE	£5.17	1
18	PFKL373825	17711S0X931	RETAINER (BLUE GREEN) (TOKAI)	£7.26	2
19	PFKL373997	17720S2A930	PIPE, FUEL VENT	£35.96	1
20	PFKL374794	17742SDAA02	JOINT, DRAIN TUBE	£19.88	1
21	PFKL374866	17743S2A931	JOINT, 3WAY DRAIN	£0.00	1
22	PFKL375005	17752S2A931	COVER, FR. FUEL PIPE	£18.65	1
23	PFKL375013	17753S2A931	COVER, RR. FUEL PIPE	£18.65	1
24	PFKL375095	17761S2A930	STAY A, FUEL PIPE	£6.19	1
25	PFKL375129	17762S2A930	STAY B, FUEL PIPE	£9.30	1
26	PFKL375149	17763S2A930	STAY C, FUEL PIPE	£4.70	1
27	PFKL696760	53728SL5003	CLIP, RETURN PIPE, 6MM	£0.00	1
28	PFKL986346	90150S04003	BOLT, EARTH, 6X16	£4.45	2
29	PFKL997525	90634PA0000	CAP, SEALING	£3.26	1
30	PFKL1011168	91401SDC000	CLIP, TUBE (B10)	£2.11	1
31	PFKL1011201	91402SDC000	CLIP, TUBE (B12)	£2.11	1
32	PFKL1014013	91598S84A01	CLIP, FUEL PIPE	£5.29	3

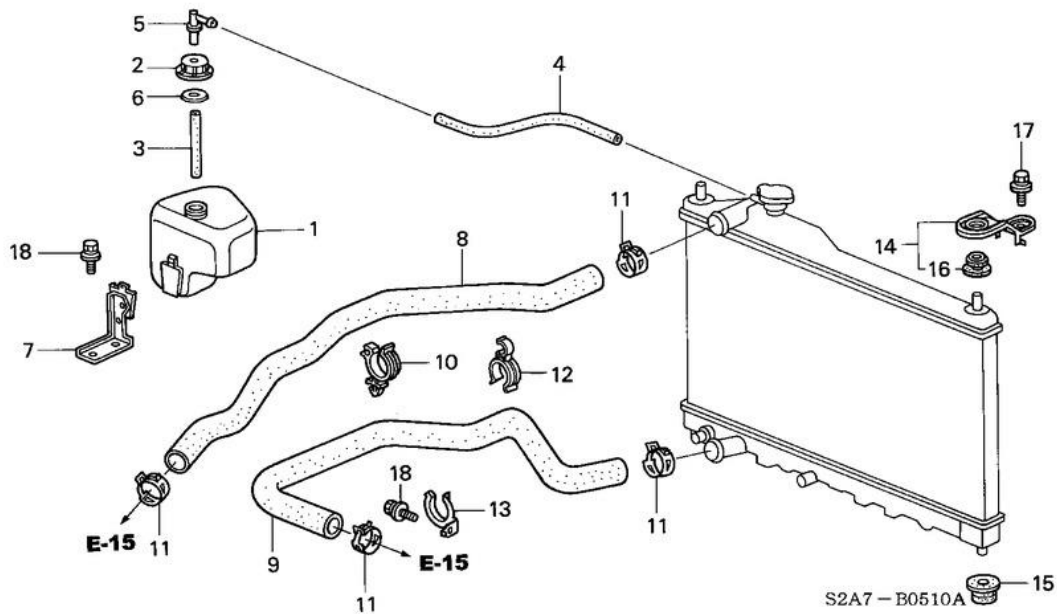
33	PFKL1014049	91599S0A003	CLAMP, FUEL PIPE	£5.96	7
34	PFKL1014052	91599S2A931	CLIP, FUEL PIPE	£4.99	1
35	PFKL1017473	934050601604	BOLT-WASHER, 6X16	£2.21	1
36	PFKL1017477	934050601608	BOLT-WASHER, 6X16	£2.38	5
37	PFKL1028254	957010601208	BOLT, FLANGE, 6X12	£1.92	1
38	PFKL1028430	957010801208	BOLT, FLANGE, 8X12	£2.21	1

B-5 RADIATOR (DENSO)



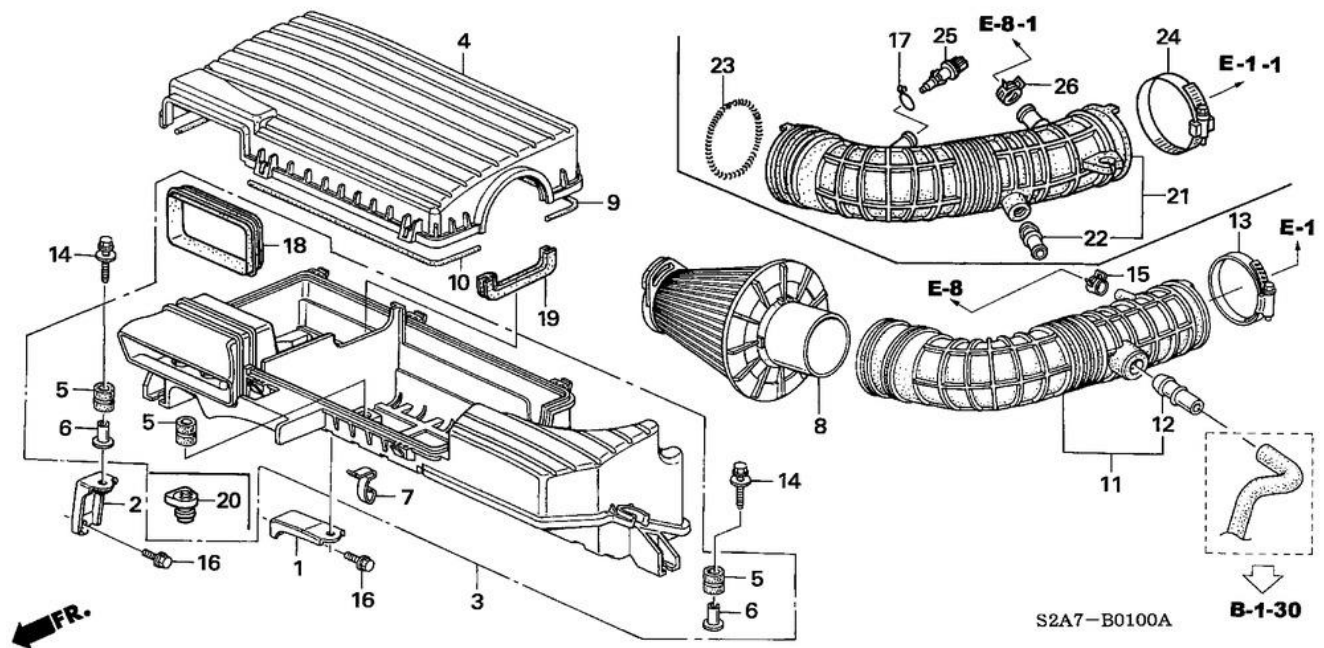
Ref	Part No	Honda Part No	Description	Price (Each)	Req Qty
1	PFKL397364	19010PCX013	RADIATOR COMP. (DENSO)	£375.29	1
2	PFKL398052	19011PH1621	BOLT, DRAIN (DENSO)	£12.59	1
3	PFKL398088	19012671300	PACKING, DRAIN (DENSO)	£3.24	1
4	PFKL398101	19013PCX003	SEAL, RADIATOR UPPER	£18.25	1
5	PFKL398376	19015PCX003	SHROUD COMP.	£110.11	1
6	PFKL398812	19020PT0003	FAN, COOLING (DENSO)	£97.90	1
7	PFKL399266	19030PCX003	MOTOR, COOLING FAN	£282.71	1
8	PFKL399639	19033PAAA01	CLIP, COUPLER (DENSO)	£8.25	1
9	PFKL400131	19045RAA003	CAP COMP., RADIATOR (DENSO)	£38.89	1
10	PFKL400149	19046RAA000	LABEL, RADIATOR CAP	£3.49	1
11	PFKL552340	37760P00003	SWITCH ASSY., THERMO (A-93) (NIPPON THERMOSTAT)	£95.08	1
11	PFKL552340	37760P00003	SWITCH ASSY., THERMO (A-93) (UCHIYA THERMOSTAT)	£95.08	1
12	PFKL977658	90041P5A003	SCREW-WASHER, 4X11	£2.88	3
13	PFKL977712	90042PAAA01	BOLT-WASHER, 6X16 (DENSO)	£3.37	2
14	PFKL977796	90043PD2003	NUT, HEX., 5MM (DENSO)	£6.16	1
15	PFKL1009800	91307PN3000	O-RING, 17.5X1.4	£4.30	1

B-5-10 RADIATOR HOSE



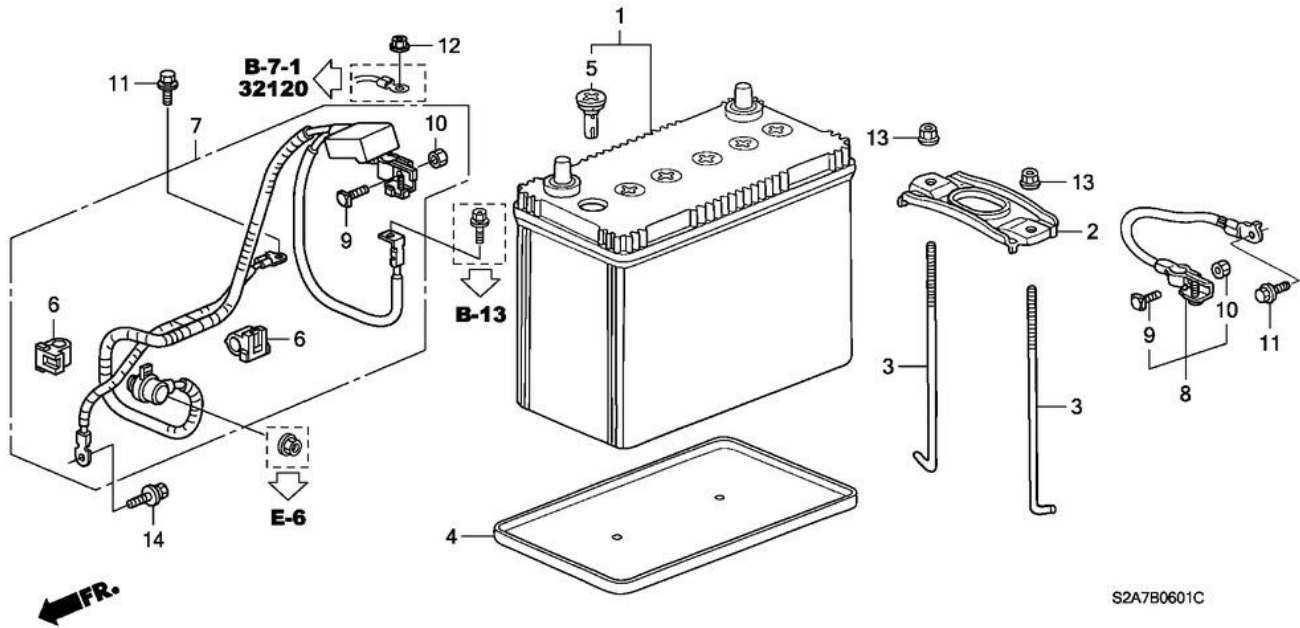
Ref	Part No	Honda Part No	Description	Price (Each)	Req Qty
1	PFKL401087	19101PCX000	TANK, RESERVE	£92.94	1
2	PFKL401242	19102PM5A00	CAP, RESERVE TANK	£12.01	1
3	PFKL401313	19103PCX000	HOSE, RESERVE TANK	£7.51	1
4	PFKL401412	19104PCX000	TUBE, RESERVE TANK	£7.46	1
5	PFKL401630	19106PM3000	JOINT, RESERVE TANK	£8.52	1
6	PFKL401734	19108PCX000	WASHER, RESERVE TANK	£2.36	1
7	PFKL402141	19115PCX000	BRACKET, RESERVE TANK	£13.95	1
8	PFKL405399	19501PCX010	HOSE, WATER UPPER	£56.01	1
9	PFKL405672	19502PCX010	HOSE, WATER LOWER	£56.01	1
10	PFKL405929	19503PY3003	CLAMP, WATER HOSE LOWER	£7.56	1
11	PFKL406844	19511PH7003	CLIP, WATER HOSE (36.5MM) (KEIHIN)	£6.91	4
12	PFKL407225	19518PCX003	CLAMP, HOSE	£4.16	1
13	PFKL407238	19519PCX000	CLAMP, HOSE	£7.71	2
14	PFKL799835	74171SP0010	BRACKET, R. RADIATOR MOUNTING UPPER	£30.86	2
15	PFKL799874	74172SM4970	CUSHION, RADIATOR MOUNTING LOWER	£18.48	2
16	PFKL799887	74173SJ4000	CUSHION, RADIATOR MOUNTING UPPER	£6.57	2
17	PFKL1017473	934050601604	BOLT-WASHER, 6X16	£2.21	2
18	PFKL1028254	957010601208	BOLT, FLANGE, 6X12	£1.92	4

B-1 AIR CLEANER



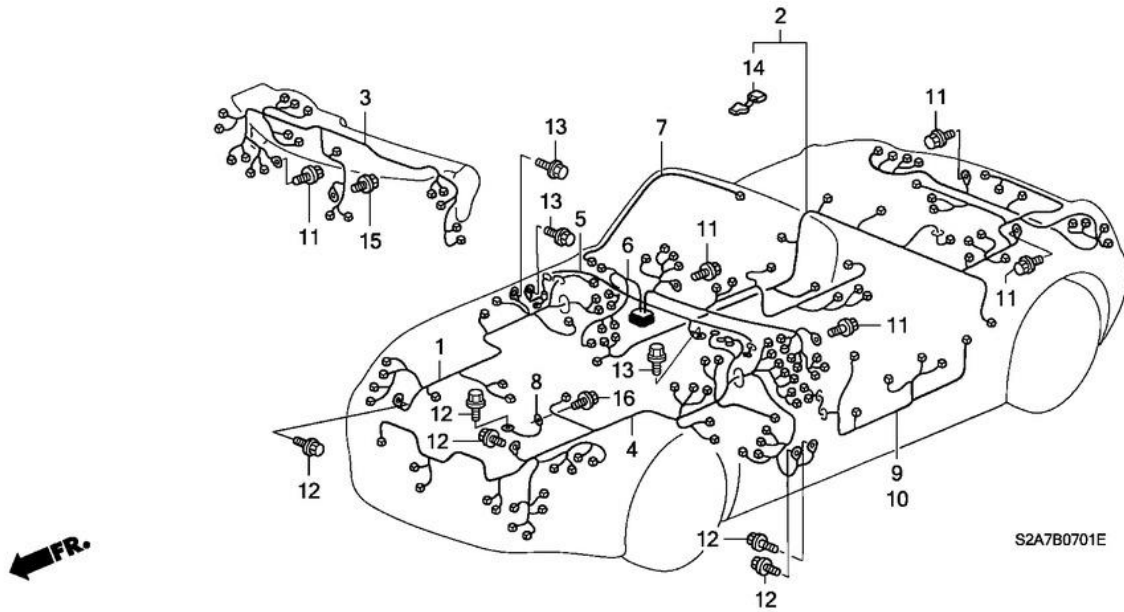
Ref	Part No	Honda Part No	Description	Price (Each)	Req Qty
1	PFKL349789	17202PCX000	STAY COMP., RR. AIR CLEANER	£6.19	1
2	PFKL349829	17203PCX000	STAY COMP., FR. AIR CLEANER	£6.19	1
3	PFKL349941	17205PZX000	CASE SET, AIR CLEANER	£253.92	1
4	PFKL350572	17210PZX000	COVER COMP., AIR CLEANER	£181.49	1
5	PFKL351368	17212P2JJ00	RUBBER, AIR CLEANER MOUNTING	£7.65	3
6	PFKL352047	17216PN3000	COLLAR, AIR CLEANER MOUNTING	£7.09	3
7	PFKL352160	17217P2J300	CLIP, AIR CLEANER	£7.22	6
8	PFKL2314138	17220PZX505	ELEMENT COMP., AIR CLEANER	£31.63	1
9	PFKL353455	17222PCX000	SEAL RUBBER B, AIR CLEANER	£11.41	1
10	PFKL353262	17221PCX000	SEAL RUBBER A, AIR CLEANER	£7.71	1
14	PFKL973990	90001POA000	BOLT-WASHER, SPECIAL, 6X35	£7.51	3
16	PFKL1028254	957010601208	BOLT, FLANGE, 6X12	£1.92	2
17	PFKL316614	15772551000	CLIP, BREATHER TUBE	£5.96	1
18	PFKL351633	17213PZX000	RUBBER, DUCT SEAL	£0.00	1
19	PFKL351954	17215PZX000	SEAL RUBBER C, DUCT	£13.09	1
20	PFKL353583	17223PZX000	RUBBER, MOUNTING	£0.00	1
21	PFKL353951	17228PCXG00	TUBE COMP., AIR FLOW	£115.64	1
22	PFKL354098	17229PCXG00	JOINT, AIR HOSE	£0.00	1
23	PFKL356148	17249PZX000	SPRING, AIR FLOW TUBE	£9.70	1
24	PFKL358788	17316RCAA01	CLAMP, AIR FLOW (90)	£10.98	1
25	PFKL554686	37880PLC004	SENSOR ASSY., AIR TEMP (MATSUSHITA DENSHI)	£60.95	1
26	PFKL1011253	91405PM5004	CLIP, HOSE (D17)	£6.55	1

B-6-1 BATTERY (RH)



Ref	Part No	Honda Part No	Description	Price (Each)	Req Qty
1	PFKL2307601	31500TTOG01	BATTERY ASSY. (55B24L-MF) (FURUKAWA)	£85.18	1
2	PFKL471253	31512SR3000	PLATE, BATTERY SETTING	£23.65	1
3	PFKL471323	31513SR3000	BOLT, BATTERY SETTING	£8.10	2
4	PFKL471404	31521SR3000	BOX ASSY., BATTERY	£19.25	1
5	PFKL471533	31542SA5666	PLUG, VENT (MF) (FURUKAWA)	£6.93	6
6	PFKL481250	32115P64003	HOLDER, CORRUGATED (DARK BLUE) (10MM)	£6.99	2
7	PFKL487574	32410S2AE00	CABLE ASSY., STARTER	£101.06	1
8	PFKL488297	32600S2AA00	CABLE ASSY., BATTERY EARTH	£36.66	1
9	PFKL488566	32601SK7900	BOLT, BATTERY TERMINAL	£6.86	2
10	PFKL488641	32602SK7900	NUT, BATTERY TERMINAL	£2.93	2
11	PFKL986282	90149SE0003	BOLT, EARTH, 6X16	£5.67	2
12	PFKL990658	90337SJ4003	NUT, A.L.B.	£2.48	1
13	PFKL1021328	9405006080	NUT, FLANGE, 6MM	£2.23	2
14	PFKL1028254	957010601208	BOLT, FLANGE, 6X12	£1.92	1

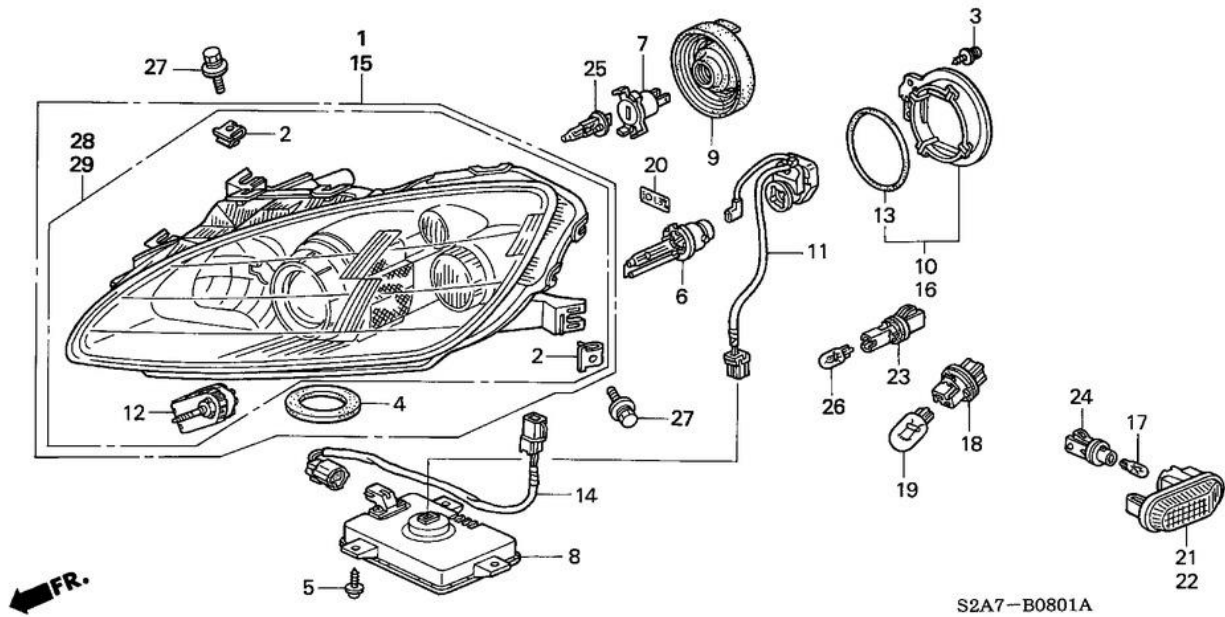
B-7-1 WIRE HARNESS (RH)



Ref	Part No	Honda Part No	Description	Price (Each)	Req Qty
1	PFKL477031	PFKL477031	HARNESS, R. CABIN WIRE	£0.00	1
2	PFKL479815	PFKL479815	HARNESS, RR. WIRE	£0.00	1
3	PFKL482314	PFKL482314	HARNESS, INSTRUMENT WIRE	£1,158.43	1
4	PFKL482913	PFKL482913	HARNESS, L. CABIN WIRE	£490.03	1
5	PFKL483164	PFKL483164	SUB CORD, EPS	£0.00	1
6	PFKL484055	PFKL484055	HARNESS, DASHBOARD WIRE	£854.76	1
7	PFKL484483	PFKL484483	CORD, INTERIOR LIGHT	£25.76	1
8	PFKL488731	PFKL488731	CABLE, EPS GEAR BOX EARTH	£10.94	1
9	PFKL490480	PFKL490480	HARNESS, DRIVER DOOR WIRE	£0.00	1
10	PFKL490874	PFKL490874	HARNESS, PASSENGER DOOR WIRE	£108.33	1
11	PFKL986253	PFKL986253	BOLT, EARTH, 6X16 (WASHER 12.5MM) (ZN)	£6.21	0
12	PFKL986282	PFKL986282	BOLT, EARTH, 6X16	£5.67	0
13	PFKL986537	PFKL986537	BOLT, EARTH, 6X12	£7.04	2
14	PFKL456791	PFKL456791	CONDENSER COMP.	£0.00	1
15	PFKL986536	PFKL986536	BOLT, EARTH, 6X12 (ZN)	£4.14	1
16	PFKL1028254	PFKL1028254	BOLT, FLANGE, 6X12	£1.92	1

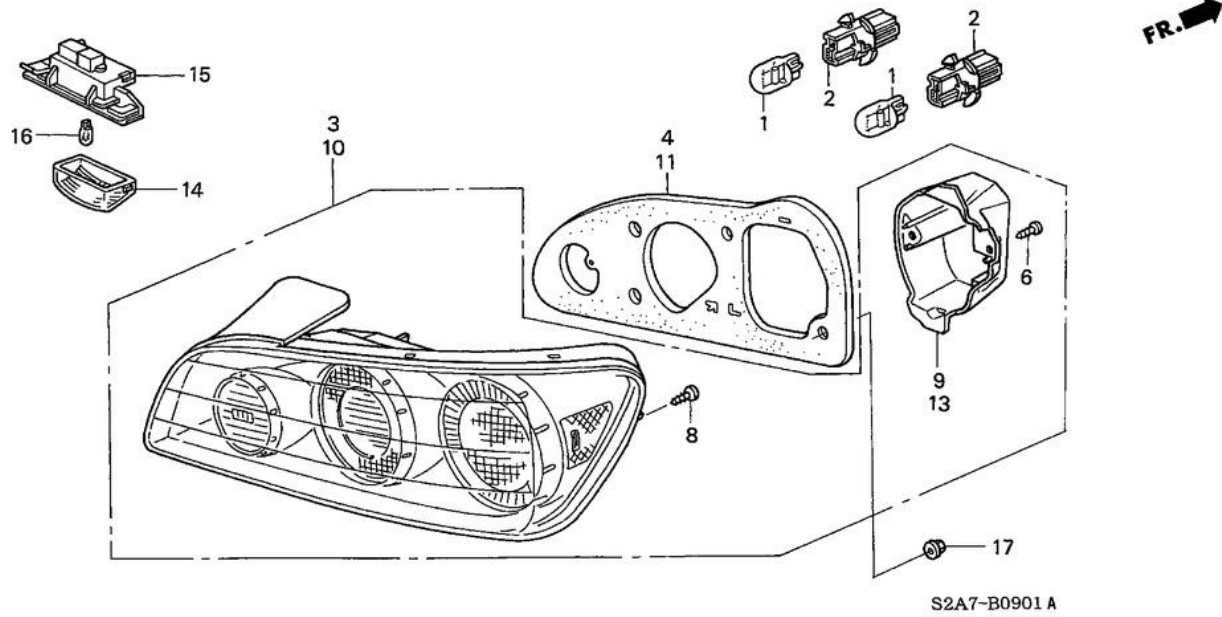
40	PFKL1049528	91531SR3003	HOLDER, COUPLER (NATURAL) (128.6MM)	£4.59	5
41	PFKL1012469	91531S04003	CLIP, WIRE HARNESS (NATURAL) (44MM)	£3.47	5
42	PFKL1012516	91533S04003	CLIP, COUPLER (NATURAL)	£2.70	0
44	PFKL1013163	91557S10003	CLIP, WIRE HARNESS PROTECTOR (NATURAL)	£4.19	2
46	PFKL1014645	91902SB2003	CUSHION, WIRE HARNESS (50X100)	£7.65	4
47	PFKL1027815	9555007000	PLUG, BLIND, 7MM	£2.97	2

B-8-1 HEADLIGHT ('04-)



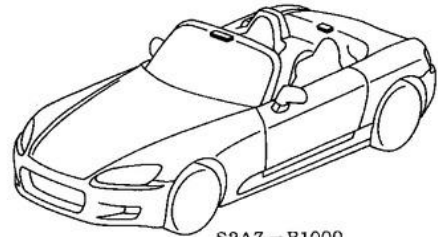
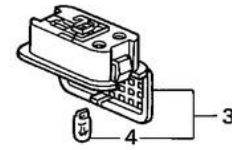
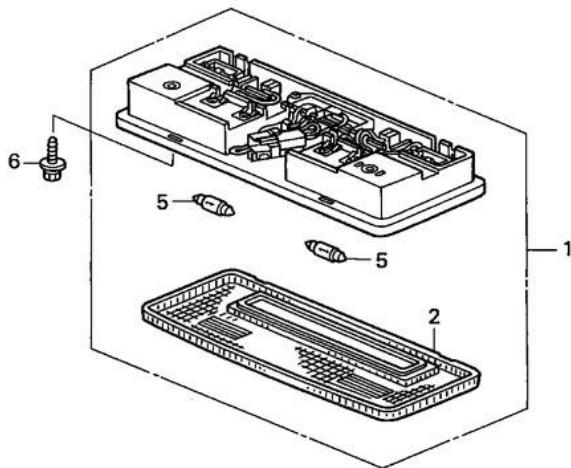
Ref	Part No	Honda Part No	Description	Price (Each)	Req Qty
2	PFKL495213	33104ST7000	NUT, SPECIAL	£3.55	8
3	PFKL495517	33108S2A003	SCREW, SPECIAL TAPPING	£3.87	2
4	PFKL495573	33109S7AJ11	SEAL, GASKET	£10.62	2
5	PFKL495766	33110S6M003	BOLT, TAPPING, 5X16	£4.97	6
6	PFKL496118	33116ST7003	BULB (HID D2S)	£115.32	2
7	PFKL496123	33116S2A003	ADAPTER	£13.38	2
8	PFKL496190	33119S2AJ01	CONTROL UNIT	£440.91	2
9	PFKL497242	33126S7A003	COVER, RUBBER	£18.08	2
10	PFKL497270	33127S2AE01	COVER COMP., R. BACK	£16.36	1
11	PFKL497321	33129S2AJ01	IGNITER, HID	£384.12	2
12	PFKL497527	33130S2AG01	ADJUSTER UNIT, HEADLIGHT	£276.48	2
13	PFKL497929	33145S2A003	O-RING	£10.47	2
14	PFKL497955	33147S2AA11	CORD COMP.	£75.60	2
16	PFKL499415	33177S2AE01	COVER COMP., L. BACK	£14.86	1
17	PFKL518903	34351S1AG01HE	BULB, WEDGE BASE (WY 12V 5W) (STANLEY) (AMBER)	£1.98	2
18	PFKL500284	33303S2AA00	PLUG, SOCKET	£20.26	2
19	PFKL500289	33303S30003	BULB (T20W 12V 21W)	£3.92	2
21	PFKL515438	33801S2AJ02	LAMP UNIT	£21.90	1
22	PFKL515589	33851S2AJ02	LAMP UNIT	£21.90	1
23	PFKL518475	34301S2A003	SOCKET COMP. (T10)	£13.41	2
24	PFKL518548	34304SH3A01	SOCKET COMP.	£15.09	2
25	PFKL519496	34901SZ3000	BULB, HEADLIGHT (H1) (12V 55W)	£8.48	2
26	PFKL519500	34901S6DG01HE	BULB (12V 5W)	£3.92	2
27	PFKL1017473	934050601604	BOLT-WASHER, 6X16	£2.21	8
28	PFKL494546	33101S2AE21	HEADLIGHT UNIT, R.	£695.80	1
29	PFKL498871	33151S2AE21	HEADLIGHT UNIT, L.	£695.80	1

B-9-1 TAILLIGHT ('04-)



Ref	Part No	Honda Part No	Description	Price (Each)	Req Qty
1	PFKL500289	33303S30003	BULB (T20W 12V 21W)	£3.92	4
2	PFKL500316	33304S30003	SOCKET COMP. (T20)	£12.49	4
3	PFKL505980	33501S2AE11	LAMP UNIT, R. TAIL	£328.90	1
4	PFKL506186	33502S2AA11	GASKET, R. BASE	£22.20	1
6	PFKL506445	33507S2AA11	SCREW, TAPPING	£5.53	4
8	PFKL506460	33509S2AA11	SCREW, SPECIAL TAPPING	£7.92	2
9	PFKL506559	33527S2AA11	COVER, R. BACK	£13.61	1
10	PFKL507442	33551S2AJ01	LAMP UNIT, L. TAIL	£328.90	1
11	PFKL507587	33552S2AA11	GASKET, L. BASE	£22.20	1
13	PFKL507700	33557S2AA11	COVER, L. BACK	£15.28	1
14	PFKL516437	34101S2K902	LENS	£9.62	2
15	PFKL1047751	34102S2K013	HOUSING COMP.	£17.44	2
16	PFKL519500	34901S6DG01HE	BULB, WEDGE (12V 5W)	£3.92	2
17	PFKL1021316	9405005080	NUT, FLANGE, 5MM	£0.50	8

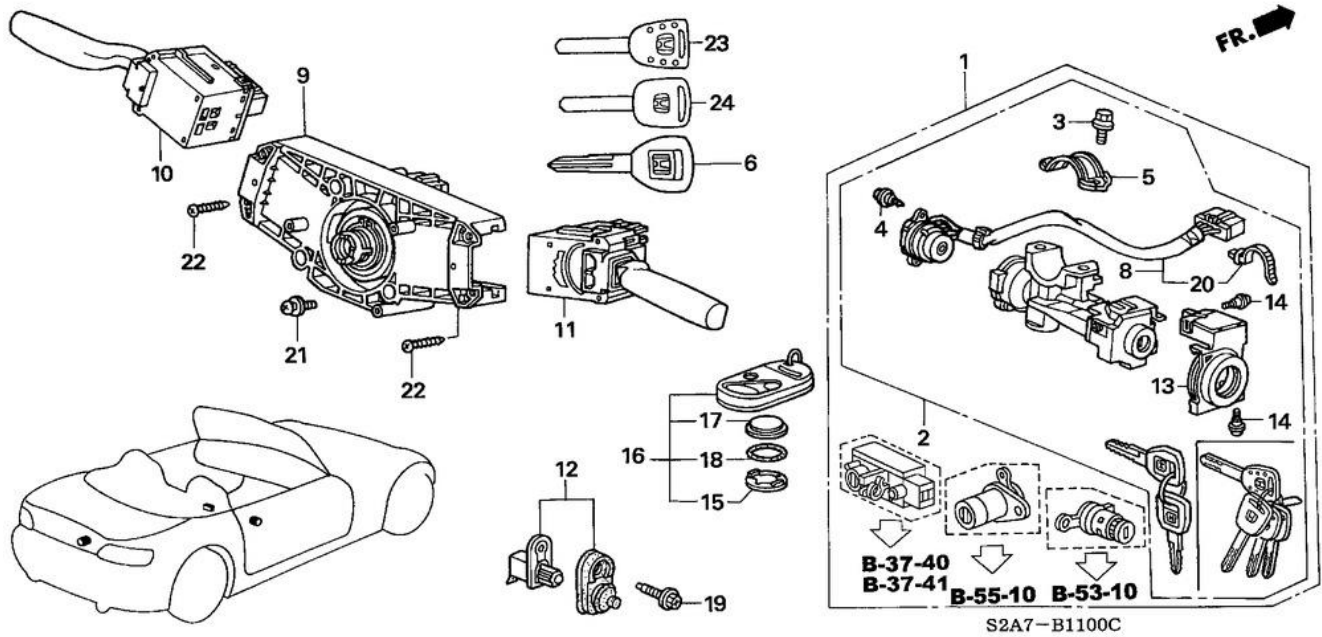
B-10 INTERIOR LIGHT



FR.

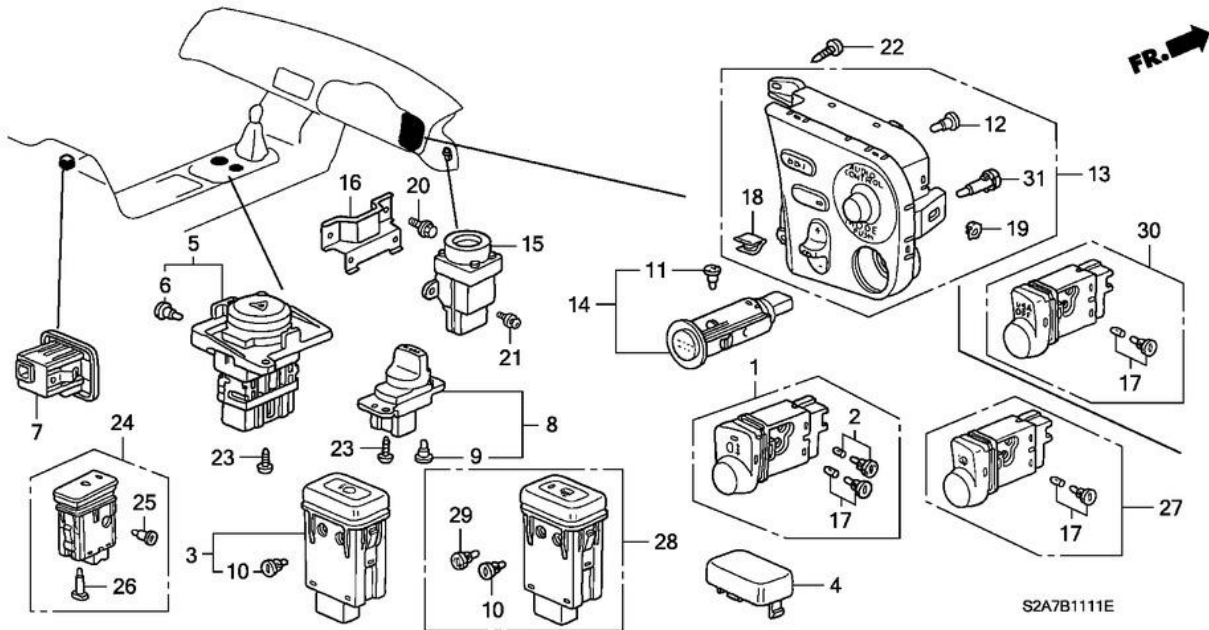
Ref	Part No	Honda Part No	Description	Price (Each)	Req Qty
1	PFKL517346	34250SL4003ZQ	LIGHT ASSY., INTERIOR *NH167L*	£190.52	1
2	PFKL517476	34251SL4003	LENS	£14.09	1
3	PFKL517780	34260SW5003	LIGHT ASSY., TRUNK ROOM	£32.46	1
4	PFKL519500	34901S6DG01HE	BULB (12V 5W) (DAIICHI)	£3.92	1
5	PFKL518144	34295SD4003	BULB (12V 5W) (DAIICHI)	£5.71	2
6	PFKL985399	90132SZ3003	SCREW, ET, 6X16	£0.00	0
6	PFKL985579	90134S30003	SCREW, EARTH, 5X18	£3.87	2

B-11 COMBINATION SWITCH



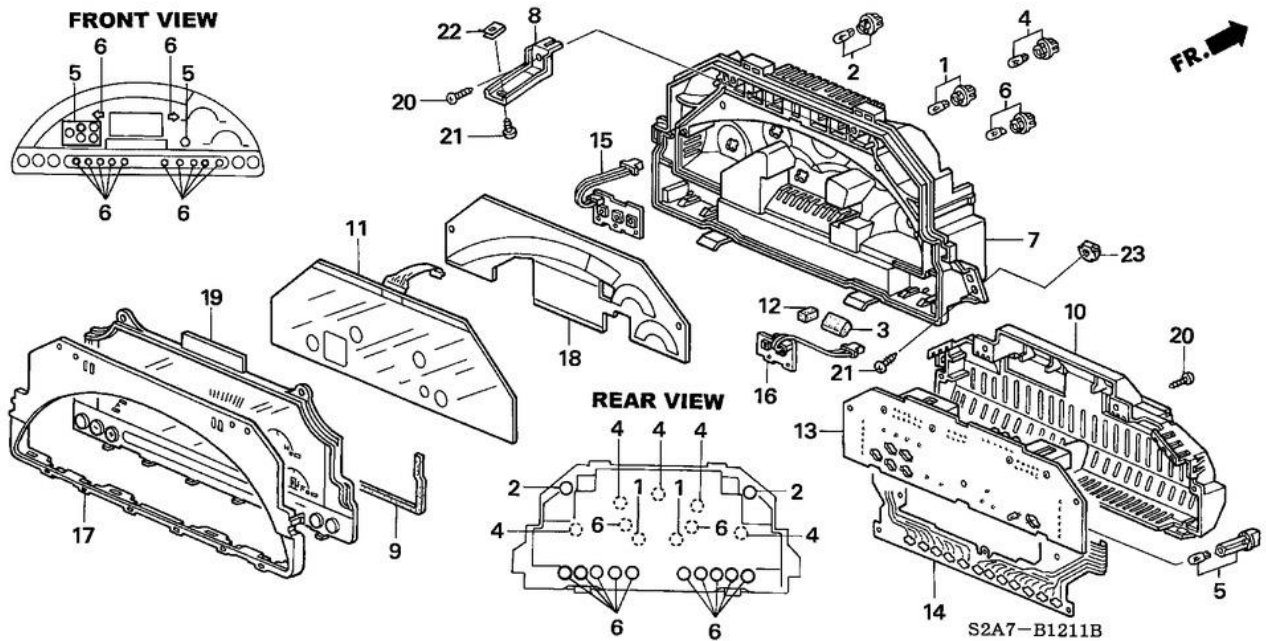
Ref	Part No	Honda Part No	Description	Price (Each)	Req Qty
1	PFKL2063204	06350S2AE51ZA	CYLINDER SET, KEY *NH167L*	£880.93	1
2	PFKL525034	35100S2AE51	LOCK ASSY., STEERING	£660.46	1
3	PFKL525973	35102SV4003	BOLT, BREAK HEAD	£4.70	2
4	PFKL525994	35103S04003	SCREW, RECESSED	£7.51	2
5	PFKL526127	35108S30003	HOLDER, COLUMN	£6.26	1
8	PFKL527369	35130S2A003	SWITCH COMP., STEERING	£62.58	1
9	PFKL531029	35251S2HJ02	BODY, SWITCH	£42.05	1
10	PFKL531282	35255S3YG02	SWITCH ASSY., LIGHTING & TURN	£112.33	1
11	PFKL531444	35256S2AA02	SWITCH ASSY., WIPER	£110.44	1
12	PFKL532874	35400S0XA01	SWITCH ASSY., DOOR	£24.19	2
13	PFKL571588	39730S2AG01	IMMOBILIZER UNIT	£219.26	1
14	PFKL776080	72118ST7003	SCREW, TAPPING, 3X5	£4.18	4
15	PFKL778824	72146S5AG01	COVER, BATTERY	£8.77	2
16	PFKL778959	72147S9AG01	TRANSMITTER ASSY., KEYLESS	£147.45	2
17	PFKL779055	72148S10003	BATTERY (CR2025)	£6.44	2
18	PFKL779110	72149S10003	O-RING	£5.92	2
19	PFKL985401	90132S0XA11	SCREW, ET, 5.5X18	£0.00	0
19	PFKL985400	90132S0XA01	SCREW, ET, 5X18	£3.87	2
20	PFKL1012597	91540S30003	CLIP, HARNESS BAND (NATURAL) (151.5MM)	£5.51	1
21	PFKL1019568	938910501208	SCREW-WASHER, 5X12	£1.56	3
22	PFKL1020262	9390132420	SCREW, TAPPING, 3X16	£1.49	4
23	PFKL526304	35111S2A307	KEY COMP., IMMOBILIZER (MAIN) (BLANK)	£212.93	1
24	PFKL526273	35111SLJ306	KEY, BLANK (BLACK) (IMMOBILIZER)	£43.69	1
24	PFKL526320	35111S9A408	KEY, BLANK (MAIN)(BLACK)	£29.59	2

B-11-11 SWITCH (RH)



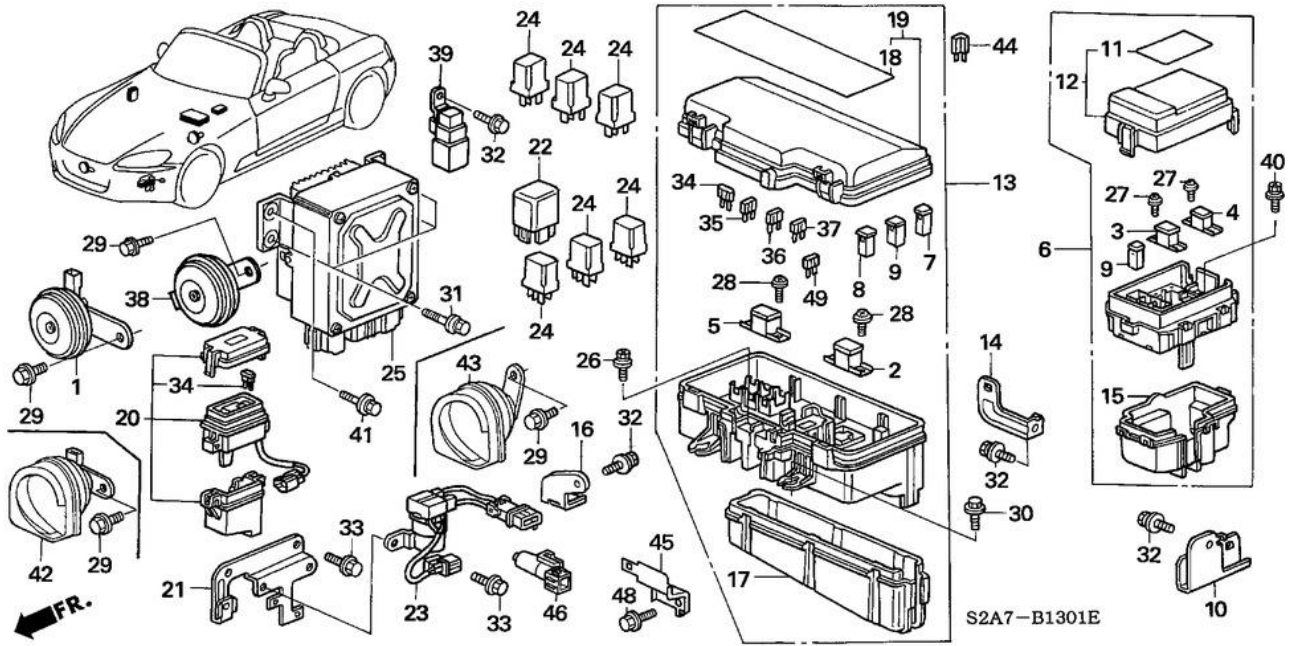
Ref	Part No	Honda Part No	Description	Price (Each)	Req Qty
1	PFKL528498	35170S2AG01	SWITCH ASSY., RR. FOG	£0.00	1
2	PFKL528522	35171S2A003	BULB COMP. (14V 65MA)	£7.24	1
5	PFKL533488	35510S2AZ01	SWITCH ASSY., HAZARD	£66.16	1
6	PFKL535679	35850S2A003	BULB COMP. (14V 60MA)	£7.24	1
7	PFKL535207	35800SL0003ZJ	SWITCH ASSY., TRUNK OPENER *NH167L*	£0.00	1
8	PFKL535447	35830S2A003ZA	SWITCH ASSY., POWER SOFT TOP *NH167L*	£79.33	1
9	PFKL535479	35831S2A003	BULB COMP. (14V 40MA)	£8.64	1
11	PFKL2154756	35851S2A505	BULB COMP. (14V 0.56W)	£7.24	1
12	PFKL2154757	35855S2A505	BULB COMP. (14V 0.56W)	£7.24	4
13	PFKL536021	35880S2A922	SWITCH ASSY., RADIO REMOTE	£0.00	1
14	PFKL536034	35881S2A911	SWITCH ASSY., ENGINE START	£103.74	1
15	PFKL536069	35910S04G01	SWITCH ASSY., INERTIA	£51.02	1
16	PFKL536071	35912SN7G00	BRACKET, INERTIA SWITCH	£0.00	1
17	PFKL541039	36776S2A003	BULB COMP. (14V 65MA)	£7.24	1
18	PFKL998722	90666SM4003	CLIP, SNAP FITTING	£3.78	1
19	PFKL1014444	91640SM4003	GROMMET, SCREW, 4MM	£4.95	1
20	PFKL1017293	934030601208	BOLT-WASHER, 6X12	£2.21	2
21	PFKL1019568	938910501208	SCREW-WASHER, 5X12	£1.56	2
22	PFKL1020805	9391314220	SCREW, TAPPING, 4X12	£1.49	3
23	PFKL1020814	9391314480	SCREW, TAPPING, 4X16 (PO)	£1.13	4
24	PFKL533326	35500S2AG02	SWITCH ASSY., RR. DEFOGGER & HEATED MIRROR	£74.39	1
25	PFKL535678	35850S2AQ01	BULB COMP. (14V 60MA)	£7.24	1
26	PFKL536035	35881S84T01	BULB (14V 60MA)	£7.10	1
31	PFKL2154758	35855S2A506	BULB COMP. (14V 0.56W)	£6.00	1

B-12-11 METER COMPONENTS (NS) ('04-)



Ref	Part No	Honda Part No	Description	Price (Each)	Req Qty
1	PFKL543640	37103SD2003	BULB & SOCKET (14V 3W) (NS) (SOCKET:GRAY)	£8.24	2
2	PFKL543645	37103S2A003	SOCKET ASSY., BULB (3W T6.5) (CAP:BLUE)	£7.24	2
3	PFKL544316	37115SA0601	PACKING (NS)	£6.87	2
4	PFKL855542	78101S2A003	SOCKET ASSY., BULB (2W T5) (SOCKET:RED)	£7.24	5
5	PFKL855601	78102S2A003	SOCKET ASSY., BULB (1.12W T5) (LONG TYPE)	£8.12	4
6	PFKL855630	78103S2A003	SOCKET ASSY., BULB (1.12W T5) (SOCKET:GRAY)	£7.24	12
7	PFKL856122	78110S2AJ03	CASE ASSY.	£0.00	1
8	PFKL856301	78113S2A003	BRACKET	£0.00	2
9	PFKL856307	78114S2A003	PACKING	£0.00	1
10	PFKL856620	78116S2A013	COVER	£0.00	1
11	PFKL858027	78130S2AE01	LCD ASSY.	£781.46	1
12	PFKL858079	78131S2A003	PACKING, LCD	£7.42	4
13	PFKL858383	78146S2AE04	PANEL, COMBINATION PRINT	£0.00	1
14	PFKL858448	78147S2AA02	PANEL, PRINT (1)	£0.00	1
15	PFKL858450	78147S2A013	PANEL, L. PRINT SWITCH	£0.00	1
16	PFKL858462	78148S2A013	PANEL, R. PRINT SWITCH	£0.00	1
17	PFKL858803	78155S2A013	VISOR	£0.00	1
18	PFKL858874	78159S2AJ01	PLATE, DIFFUSION	£53.18	1
19	PFKL859211	78170S2AE03	LENS ASSY., METER	£112.46	1
20	PFKL979727	90102SB2003	SCREW, TAPPING, 4X14	£0.00	5
21	PFKL1020634	9390344380	SCREW, TAPPING, 4X12	£1.49	4
22	PFKL989319	90302SA4003	NUT, SPRING, 4MM	£7.42	2
23	PFKL1014444	91640SM4003	GROMMET, SCREW, 4MM	£4.95	2

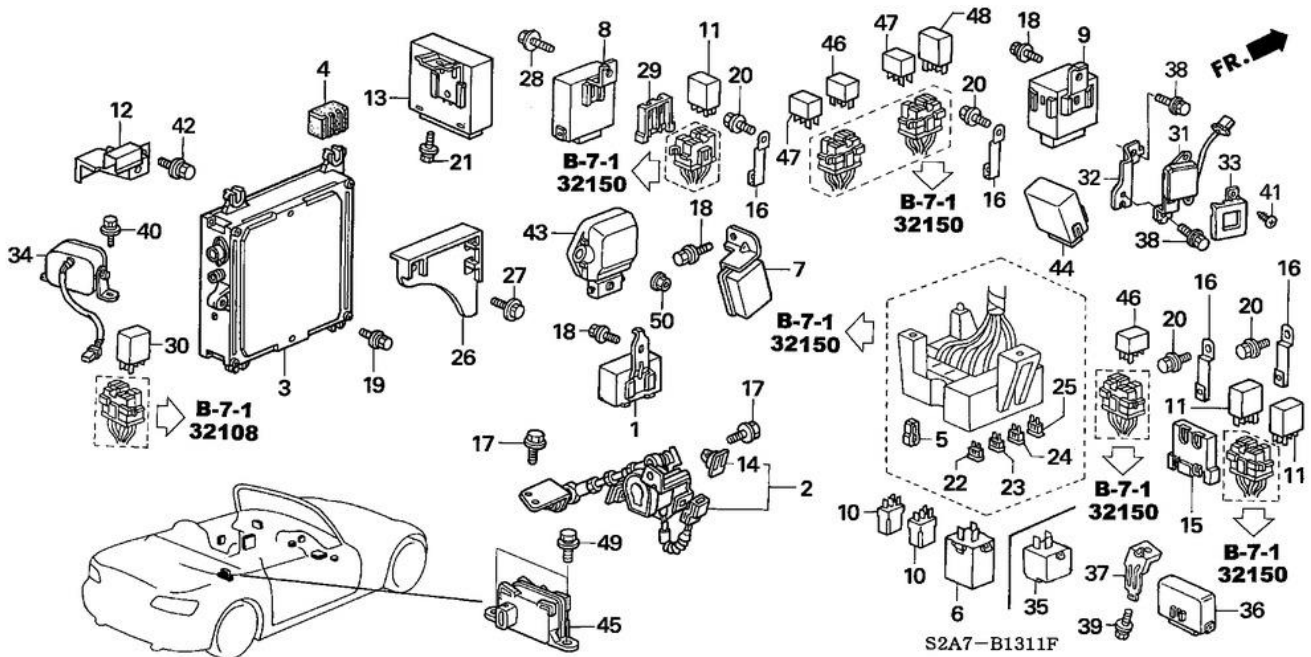
B-13-1 CONTROL UNIT(ENGINE ROOM) (RH)



Ref	Part No	Honda Part No	Description	Price (Each)	Req Qty
2	PFKL557789	38212SM4003	FUSE, BLOCK (40A)	£14.26	1
3	PFKL557804	38214SS1003	FUSE, BLOCK (60A)	£16.59	1
4	PFKL557965	38215SX8003	FUSE, BLOCK (70A)	£12.07	1
5	PFKL558019	38218SM4003	FUSE, BLOCK (100A)	£11.75	1
6	PFKL558184	38230S2AE01	BOX ASSY., SUB FUSE	£0.00	1
7	PFKL558212	38231S04003	FUSE, BLOCK (30A)	£7.40	3
8	PFKL558213	38231S04961	FUSE, BLOCK (40A)	£5.08	2
9	PFKL558216	38231S10003	FUSE, BLOCK (20A)	£7.92	3
10	PFKL558217	38231S2A000	STAY, SUB FUSE BOX	£8.13	1
11	PFKL558235	38233S2AE01	LABEL, FUSE	£0.00	1
12	PFKL558239	38234S2AE01	COVER, UPPER	£17.59	1
13	PFKL558607	38250S2AG03	BOX ASSY., RELAY	£0.00	1
14	PFKL558767	38251S2A000	BRACKET, RELAY BOX (A)	£8.15	1
15	PFKL558846	38252SX8T01	COVER, LOWER	£25.96	1
16	PFKL558854	38252S2A000	BRACKET, RELAY BOX (R.)	£0.00	1
17	PFKL559101	38255S0XA01	COVER, LOWER	£0.00	1
18	PFKL558960	38253S2AG01	LABEL, MAIN	£0.00	1
19	PFKL559048	38254S2AG01	COVER, UPPER	£13.12	1
20	PFKL559158	38260PCX003	CASE ASSY., FUSE	£45.13	1
21	PFKL559188	38261PCX000	BRACKET COMP., FUSE	£10.67	1
22	PFKL2054865	39792SL4003	RELAY ASSY., POWER (4P) (DENSO) (056700-7410)	£60.89	1
23	PFKL571865	39794PCX023	CONTACTOR ASSY.	£166.52	1
24	PFKL571903	39794S04014	RELAY ASSY., POWER (4P) (MICRO ISO) (MATSUSHITA)	£28.99	0
24	PFKL571901	39794S04003	RELAY ASSY., POWER (4P) (MICRO ISO) (MITSUBA)	£60.23	0
25	PFKL572394	39980S2A043	EPS UNIT	£1,331.88	1
26	PFKL982824	90114SM4900	BOLT, 6X15	£6.57	2
27	PFKL985048	90129SX8003	SCREW-WASHER, 5X12	£4.90	4

28	PFKL985049	90129S84000	SCREW-WASHER, 5X14	£0.00	4
29	PFKL986348	90150S84003	BOLT, EARTH, 8X16	£4.45	2
30	PFKL987848	90182SB6000	BOLT-WASHER, 6X16	£3.53	2
31	PFKL1017311	934030602008	BOLT-WASHER, 6X20	£2.21	3
32	PFKL1017477	934050601608	BOLT-WASHER, 6X16	£2.38	4
33	PFKL1028254	957010601208	BOLT, FLANGE, 6X12	£1.92	4
34	PFKL1032089	9820040750	FUSE, MINI (7.5A)	£1.92	0
35	PFKL1032090	9820041000	FUSE, MINI (10A)	£1.92	0
36	PFKL1032091	9820041500	FUSE, MINI (15A)	£1.92	0
37	PFKL1032092	9820042000	FUSE, MINI (20A)	£1.92	0
39	PFKL571845	39793SE3003	RELAY ASSY., POWER (5P) (058700-1081) (DENSO)	£56.31	1
40	PFKL985149	90130SR3003	BOLT, 5X13	£3.64	2
41	PFKL986282	90149SE0003	BOLT, EARTH, 6X16	£5.67	1
42	PFKL555159	38100S2AA02	HORN ASSY., LOW	£93.24	1
42	PFKL555159	38100S2AA02	HORN ASSY., LOW	£93.24	1
43	PFKL556216	38150S2A013	HORN ASSY., HIGH	£93.24	1
43	PFKL556216	38150S2A013	HORN ASSY., HIGH	£93.24	1
44	PFKL483724	32146SH3003	CONNECTOR, DIODE (2P)	£17.44	1
45	PFKL878097	80521S2A000	BRACKET, AMBIENT SENSOR	£10.67	1
46	PFKL878119	80525S30941	SENSOR ASSY., AMBIENT	£61.59	1
48	PFKL1017301	934030601605	BOLT-WASHER, 6X16	£2.21	1
48	PFKL1017300	934030601604	BOLT-WASHER, 6X16	£2.21	1

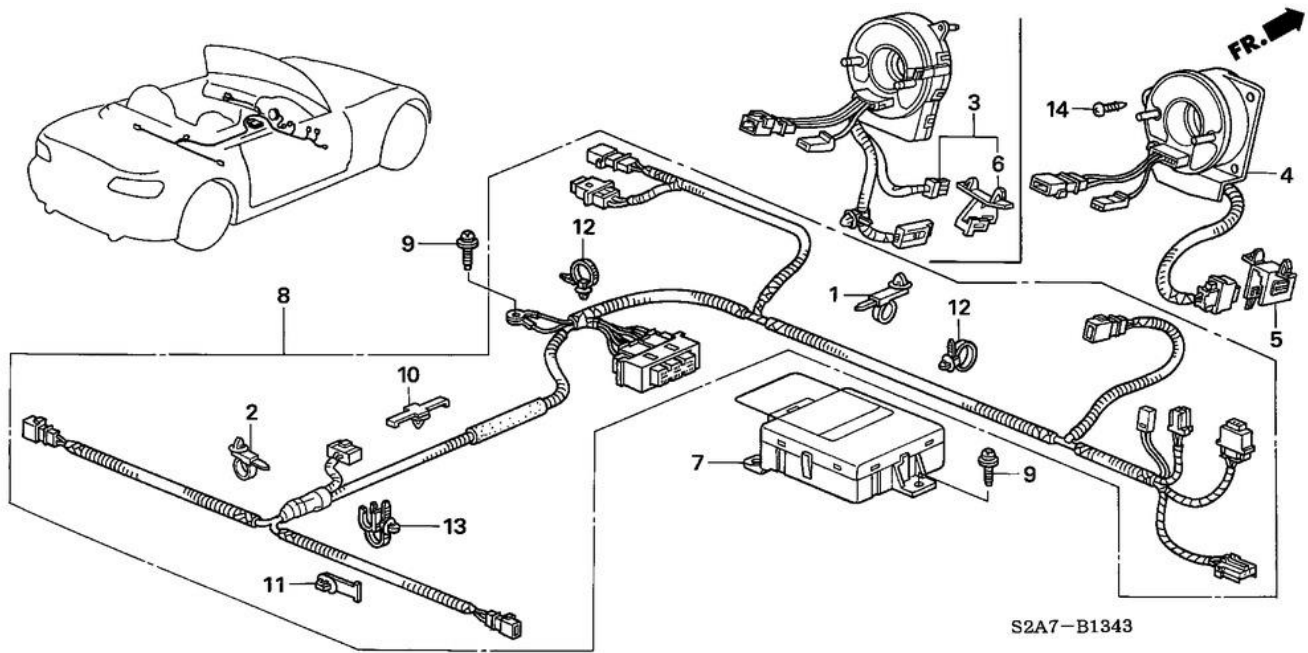
B-13-11 CONTROL UNIT (CABIN) (RH)



Ref	Part No	Honda Part No	Description	Price (Each)	Req Qty
1	PFKL497765	33137S2A003	CONTROL UNIT, AUTO LEVELING ELECTRONIC	£0.00	1
2	PFKL497950	33146S2AG01	SENSOR ASSY., HEADLIGHT ADJUSTER RR.	£346.80	1
3	PFKL2072137	37820PCXG08	CONTROL MODULE, ENGINE (REWITABLE)	£0.00	1
4	PFKL554418		RUBBER, CUSHION	£6.53	1
5	PFKL558254	37826P2A000	PULLER, MINI FUSE (TAIHEIYO)	£6.95	1
7	PFKL559763	38235SX8003	RELAY, CLEANER CONTROL	£187.70	1
8	PFKL559996	38310S84E01	CONTROL UNIT, DOOR & TRUNK LOCK & KEYLESS	£0.00	1
10	PFKL571903	38380S2AG11	RELAY ASSY., POWER (4P) (MICRO ISO) (MATSUSHITA)	£28.99	4
11	PFKL571905	39794S04014	RELAY ASSY., POWER (5P) (MICRO ISO) (MITSUBA)	£47.01	3
12	PFKL747816	39794S10003	BRACKET, ENGINE CONTROL MODULE	£0.00	1
13	PFKL947404	64533S2A300ZZ	CONTROL UNIT, SOFT TOP	£314.87	1
14	PFKL1013485	86500S2A003	CLIP, COUPLER (DARK GREEN)	£4.79	1
16	PFKL1014592	91565S0X003	BRACKET, RELAY BLOCK (ISO)	£0.00	4
17	PFKL1017247	91755S0010	BOLT-WASHER, 8X16	£1.91	4
18	PFKL1017303	934020801608	BOLT-WASHER, 6X16	£2.21	2
19	PFKL1017396	934030601608	BOLT-WASHER, 6X20	£1.92	2
20	PFKL1017303	934040602008	BOLT-WASHER, 6X16	£2.21	4
21	PFKL1028296	934030601608	BOLT, FLANGE, 6X20	£1.92	1
22	PFKL1032089	957010602008	FUSE, MINI (7.5A)	£1.92	0
23	PFKL1032090	9820040750	FUSE, MINI (10A)	£1.92	0
24	PFKL1032091	9820041000	FUSE, MINI (15A)	£1.92	0
25	PFKL1032092	9820041500	FUSE, MINI (20A)	£1.92	0
28	PFKL1017293	9820042000	BOLT-WASHER, 6X12	£2.21	1
30	PFKL571905	934030601208	RELAY ASSY., POWER (5P) (MICRO ISO) (MITSUBA)	£47.01	1
31	PFKL543390	39794S10003	SENSOR ASSY., MICROWAVE INTRUSION	£0.00	1
32	PFKL543460	37100S2AE02	BRACKET, MICROWAVE SENSOR	£0.00	1
33	PFKL543553	37101S2AE00	CASE, MICROWAVE SENSOR	£0.00	1

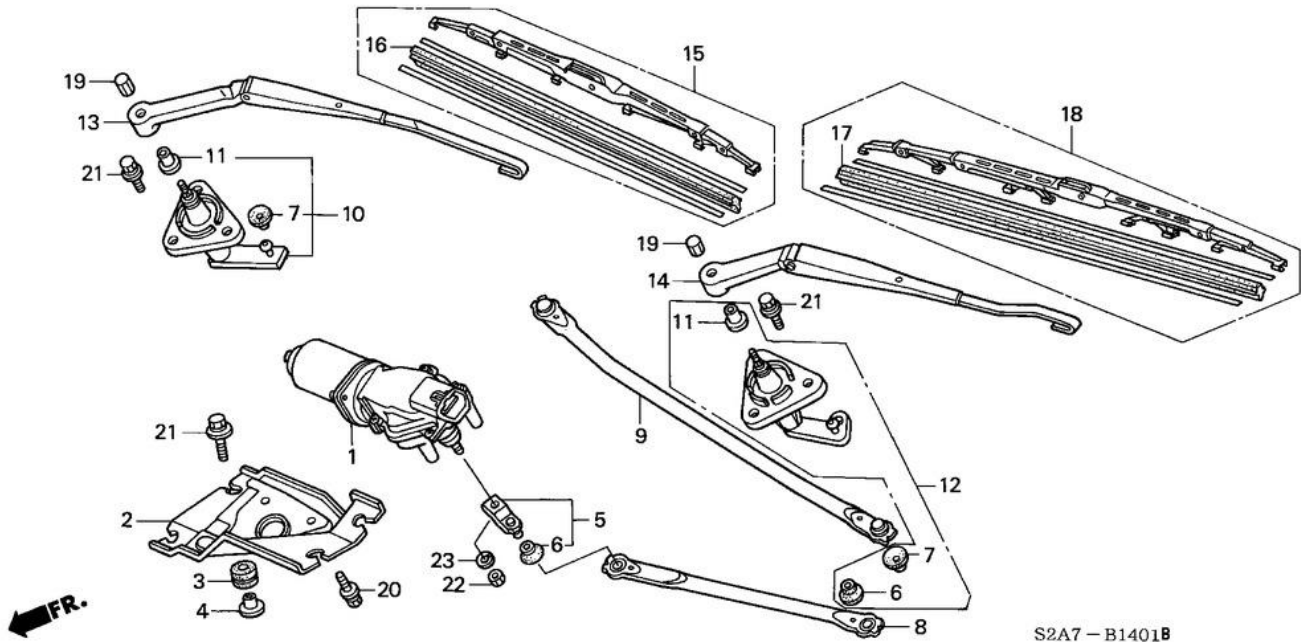
34	PFKL544168	37102S2A000	SIREN ASSY., ALARM CONTROL	£691.40	1
35	PFKL559312	37110S2AE01	RELAY ASSY., TURN SIGNAL & HAZARD (FR-3321) (MITSUBA)	£40.20	1
35	PFKL559312	38300S5T004	RELAY ASSY., TURN SIGNAL & HAZARD (066500-5080) (DENSO)	£40.20	1
36	PFKL572219	38300S5T004	SECURITY UNIT	£263.20	1
37	PFKL572224	39880S2AE01	BRACKET, SECURITY UNIT	£0.00	1
38	PFKL1017149	39881S2A000	BOLT-WASHER, 6X12	£1.92	2
39	PFKL1017288	934010601208	BOLT-WASHER, 6X10	£2.21	1
40	PFKL1017293	934030601008	BOLT-WASHER, 6X12	£2.21	2
41	PFKL1019554	934030601208	SCREW-WASHER, 5X8	£1.56	1
42	PFKL1017467	938910500808	BOLT-WASHER, 6X12	£2.21	2
43	PFKL554564	934050601208	DRIVER UNIT, DRIVE BY WIRE	£0.00	1
44	PFKL571559	37850PZXA01	IMOES UNIT	£112.44	1
45	PFKL572311	39720SAA013	SENSOR ASSY., CLUSTER	£901.24	1
46	PFKL571878	39960S2AA01	RELAY ASSY., POWER (MICRO ISO) (DENSO)	£28.53	2
46	PFKL571881	39794SDAA02	RELAY ASSY., POWER (MICRO ISO) (MITSUBA)	£28.53	2
47	PFKL571886	39794SDAA05	RELAY ASSY., ENGINE CONTROL MODULE (MITSUBA)	£28.53	2
47	PFKL571886	39794SDA902	RELAY ASSY., ENGINE CONTROL MODULE (DENSO)	£28.53	2
48	PFKL571907	39794SDA902	RELAY ASSY., FUEL PUMP (5P) (MITSUBA)	£27.58	1
48	PFKL571907	39794S5A003	RELAY ASSY., FUEL PUMP (5P) (DENSO)	£27.58	1
49	PFKL1017477	39794S5A003	BOLT-WASHER, 6X16	£2.38	2
50	PFKL1021328	934050601608	NUT, FLANGE, 6MM	£2.23	2

B-13-43 SRS UNIT (RH)('06-)



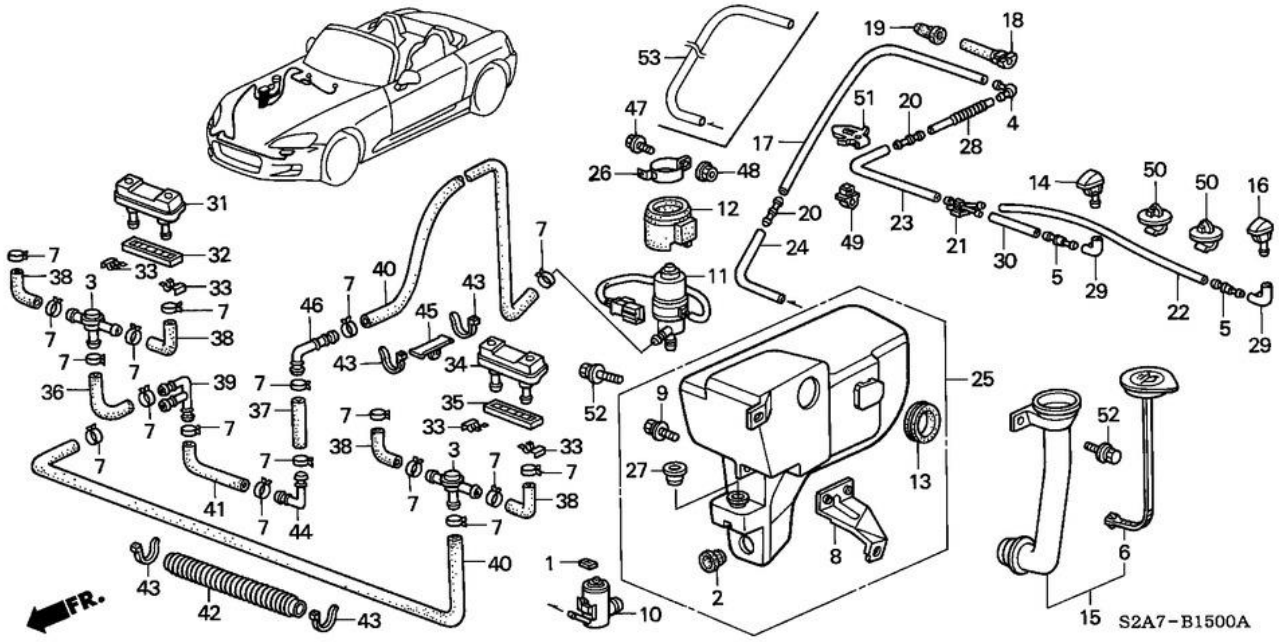
Ref	Part No	Honda Part No	Description	Price (Each)	Req Qty
1	PFKL483401	32132S6A003	BAND, WIRE HARNESS OFFSET (20) (DARK GREEN) (122.5MM)	£6.66	1
2	PFKL483423	32134SM4003	BAND, HARNESS OFFSET (10) (BROWN) (122.5MM)	£7.07	1
4	PFKL854165	77900S84G02	REEL ASSY., CABLE (FURUKAWA)	£187.30	1
5	PFKL854197	77907S04003	HOLDER, CONNECTOR (2P)	£7.19	1
7	PFKL854414	77960S2AE81	SRS UNIT	£631.82	1
8	PFKL854615	77961S2AN00	HARNESS, SRS MAIN	£491.40	1
9	PFKL985782	90137S84A01	BOLT, TORX EARTH, 6X20	£6.57	4
10	PFKL1012038	91507693003	CLIP, WIRE HARNESS (BLACK) (50MM) (HARNESS TAPING)	£4.36	1
11	PFKL1012469	91531S04003	CLIP, WIRE HARNESS (NATURAL) (44MM)	£3.47	1
12	PFKL1012597	91540S30003	CLIP, HARNESS BAND (NATURAL) (151.5MM)	£5.51	5
13	PFKL1013418	91563SF4003	BAND, WIRE HARNESS (WHITE) (100.5MM)	£6.35	3
14	PFKL1020814	9391314480	SCREW, TAPPING, 4X16 (PO)	£1.13	3

B-14-1 FRONT WINDSHIELD WIPER (RH)



S2A7 - B1401B

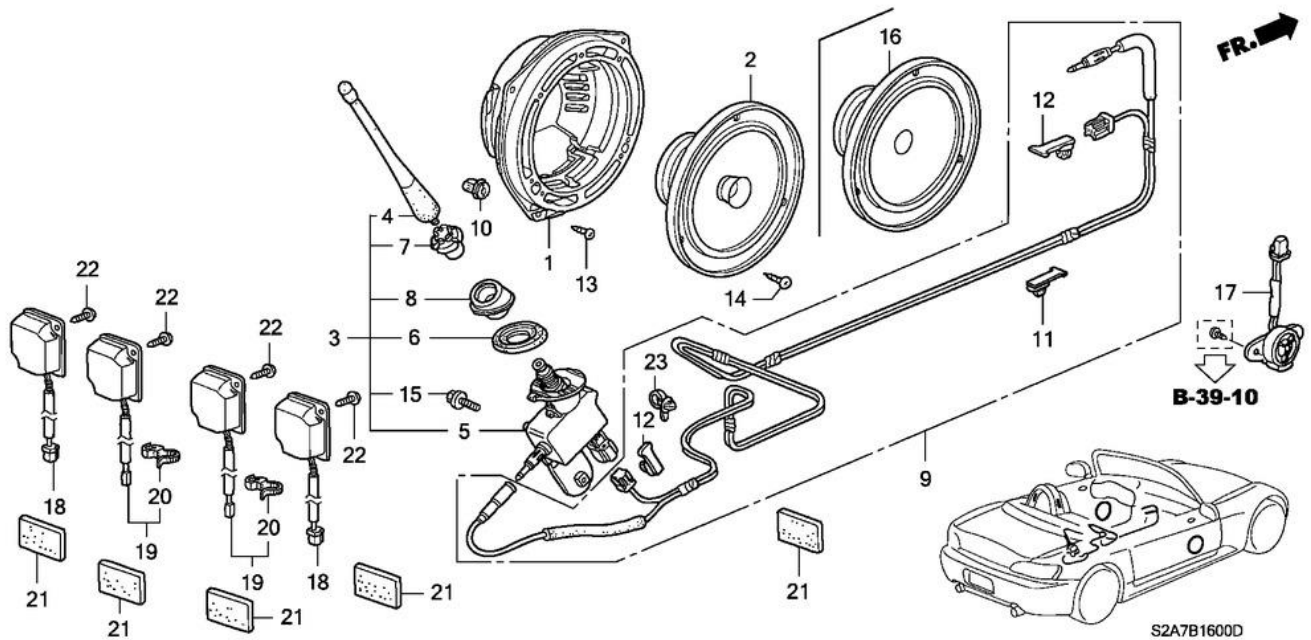
Ref	Part No	Honda Part No	Description	Price (Each)	Req Qty
1	PFKL828942	76505S04Y01	MOTOR COMP., FR. WIPER (MITSUBA)	£225.61	1
2	PFKL828975	76507S2A003	BRACKET	£0.00	1
3	PFKL828983	76510SX0003	MOUNT, RUBBER (B)	£7.26	4
4	PFKL828988	76511SX0003	COLLAR (FLANGE)	£6.53	4
5	PFKL2519623	76520SCC003	LINK UNIT A	£27.81	1
6	PFKL829126	76524SD4003	DUST SEAL	£6.75	2
7	PFKL829128	76524SE0013	DUST SEAL	£8.89	2
8	PFKL829322	76540S2A003	ROD UNIT A	£15.52	1
9	PFKL829380	76550S2A003	ROD UNIT B	£32.68	1
10	PFKL829437	76560S2A003	PIVOT ASSY. C	£49.02	1
11	PFKL829458	76561S2H003	CAP B, PIVOT	£13.33	2
12	PFKL829505	76570S2A003	PIVOT ASSY. B	£49.02	1
13	PFKL829669	76600S2AE02	ARM, WINDSHIELD WIPER (DRIVER SIDE)	£68.09	1
14	PFKL829839	76610S2AE02	ARM, WINDSHIELD WIPER (PASSENGER SIDE)	£68.09	1
15	PFKL830040	76620S2AE03	BLADE, WINDSHIELD WIPER (400MM)	£14.06	1
16	PFKL830352	76632S7SJ01	RUBBER, BLADE (400MM)	£11.60	1
17	PFKL2311489	Y766AS6M003	RUBBER, BLADE (500MM)	£13.18	1
18	PFKL830278	76630S2A023	BLADE, WINDSHIELD WIPER (500MM)	£14.06	1
19	PFKL988282	90201SK7000	NUT, HEX. CAP, 10MM	£7.47	2
20	PFKL1017229	934020601408	BOLT-WASHER, 6X14	£1.92	3
21	PFKL1017484	934050602008	BOLT-WASHER, 6X20	£2.21	10
22	PFKL1021072	94002080800S	NUT, HEX., 8MM	£1.56	1
23	PFKL1021546	9411108800	WASHER, SPRING, 8MM	£1.42	1



Ref	Part No	Honda Part No	Description	Price (Each)	Req Qty
1	PFKL562152	38516SA5671	PACKING (T-TYPE) (MITSUBA)	£4.90	1
2	PFKL562159	38519SB0003	BUSH, WASHER TANK (MITSUBA)	£7.04	1
3	PFKL562449	38545692731	VALVE, CHECK	£44.11	2
4	PFKL562587	38562SA0003	JOINT L, WASHER TUBE (MITSUBA)	£9.60	1
5	PFKL562640	38571SA5621	VALVE, ONE WAY (MITSUBA)	£12.88	2
6	PFKL831031	76802S2AG01	CAP, MOUTH	£12.19	1
7	PFKL831033	76803SE1S03	CLIP, WASHER HOSE	£4.43	18
8	PFKL831040	76803S2AG01	BRACKET	£17.92	1
9	PFKL831053	76804S2AG01	BOLT-WASHER	£6.57	2
10	PFKL831156	76806SLOE11	MOTOR, WASHER (HIGH) (MITSUBA)	£64.26	1
11	PFKL831164	76806SM5G03	PUMP, WASHER	£130.17	1
12	PFKL831202	76807SM5G03	COVER	£13.25	1
13	PFKL831221	76809SZ3A01	SEAL, PACKING	£8.25	1
14	PFKL831711	76810S2A003ZU	NOZZLE ASSY., R. WINDSHIELD WASHER *YR564M*	£0.00	1
14	PFKL831707	76810S2A003ZP	NOZZLE ASSY., R. WINDSHIELD WASHER *B523P*	£20.84	1
14	PFKL831708	76810S2A003ZR	NOZZLE ASSY., R. WINDSHIELD WASHER *NH676M*	£22.23	1
14	PFKL831709	76810S2A003ZS	NOZZLE ASSY., R. WINDSHIELD WASHER *Y65P*	£0.00	1
14	PFKL831710	76810S2A003ZT	NOZZLE ASSY., R. WINDSHIELD WASHER *B545P*	£20.84	1
14	PFKL2160999	76810S2AG01ZM	NOZZLE ASSY., R. WINDSHIELD WASHER *YR536P*	£20.84	1
14	PFKL831705	76810S2A003ZM	NOZZLE ASSY., R. WINDSHIELD WASHER *R508P*	£0.00	1
14	PFKL831704	76810S2A003ZL	NOZZLE ASSY., R. WINDSHIELD WASHER *NH609P*	£20.84	1
14	PFKL831702	76810S2A003ZH	NOZZLE ASSY., R. WINDSHIELD WASHER *B513M*	£22.23	1
14	PFKL831700	76810S2A003ZE	NOZZLE ASSY., R. WINDSHIELD WASHER *R510*	£22.23	1
14	PFKL832110	76815S2A003ZD	NOZZLE ASSY., R. WINDSHIELD WASHER *NH630M*	£22.23	1
14	PFKL832108	76815S2A003ZB	NOZZLE ASSY., R. WINDSHIELD WASHER *NH547*	£22.23	1
15	PFKL831857	76812S2AG01	HOSE ASSY. (HEADLIGHT WASHER)	£43.58	1
16	PFKL832122	76815S2A003ZU	NOZZLE ASSY., L. WINDSHIELD WASHER *YR564M*	£0.00	1

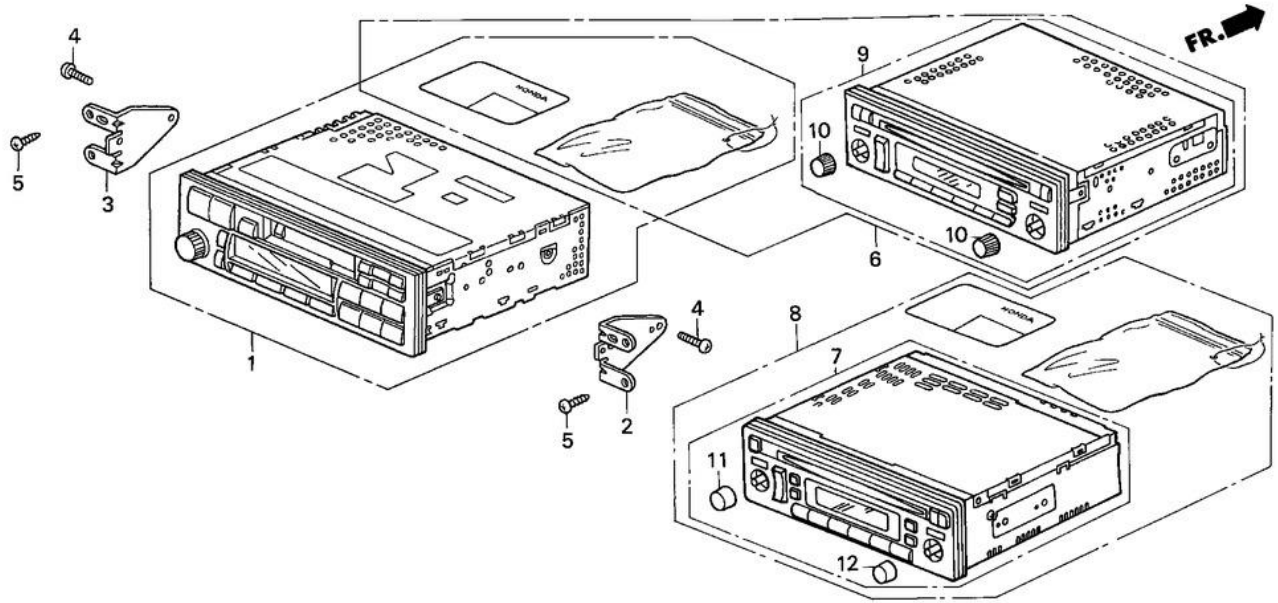
16	PFKL831710	76810S2A003ZT	NOZZLE ASSY., L. WINDSHIELD WASHER *B545P*	£20.84	1
16	PFKL831709	76810S2A003ZS	NOZZLE ASSY., L. WINDSHIELD WASHER *Y65P*	£0.00	1
16	PFKL831708	76810S2A003ZR	NOZZLE ASSY., L. WINDSHIELD WASHER *NH676M*	£22.23	1
16	PFKL831707	76810S2A003ZP	NOZZLE ASSY., L. WINDSHIELD WASHER *B523P*	£20.84	1
16	PFKL2160999	76810S2AG01ZM	NOZZLE ASSY., L. WINDSHIELD WASHER *YR536P*	£20.84	1
16	PFKL831705	76810S2A003ZM	NOZZLE ASSY., L. WINDSHIELD WASHER *R508P*	£0.00	1
16	PFKL831704	76810S2A003ZL	NOZZLE ASSY., L. WINDSHIELD WASHER *NH609P*	£20.84	1
16	PFKL831702	76810S2A003ZH	NOZZLE ASSY., L. WINDSHIELD WASHER *B513M*	£22.23	1
16	PFKL831700	76810S2A003ZE	NOZZLE ASSY., L. WINDSHIELD WASHER *R510*	£22.23	1
16	PFKL832110	76815S2A003ZD	NOZZLE ASSY., L. WINDSHIELD WASHER *NH630M*	£22.23	1
16	PFKL832108	76815S2A003ZB	NOZZLE ASSY., L. WINDSHIELD WASHER *NH547*	£22.23	1
18	PFKL832250	76820SE0003	GROMMET, WASHER TUBE	£7.92	1
19	PFKL832276	76820SL4003	GROMMET, TUBE WASHER	£0.00	1
20	PFKL832586	76829SM4003	JOINT I, WASHER	£9.21	1
21	PFKL832676	76830SM4003	JOINT Y, WASHER	£7.14	1
22	PFKL2340088	76800T0AP30	TUBE, L. NOZZLE	£9.35	1
23	PFKL2340088	76800T0AP30	TUBE, L. NOZZLE	£9.35	1
25	PFKL833110	76841S2AG01	TANK SET, WASHER	£119.98	1
26	PFKL833140	76845SP0E03	BRACKET, MOTOR	£9.76	1
27	PFKL833156	76847SM5G03	PACKING	£4.70	1
28	PFKL833229	76851SD5003	BELLOWS, RR. WASHER	£0.00	1
29	PFKL833266	76852SL0003	JOINT, WASHER (L)	£15.44	2
30	PFKL2337882	76800T0AP00	TUBE B	£6.95	1
31	PFKL833456	76880S2AG11ZJ	NOZZLE ASSY., R. HEADLIGHT WASHER *R508P*	£79.08	1
31	PFKL833458	76880S2AG11ZL	NOZZLE ASSY., R. HEADLIGHT WASHER *YR536P*	£81.45	1
31	PFKL833459	76880S2AG11ZM	NOZZLE ASSY., R. HEADLIGHT WASHER *Y65P*	£81.45	1
31	PFKL833460	76880S2AG11ZN	NOZZLE ASSY., R. HEADLIGHT WASHER *B545P*	£81.45	1
31	PFKL833461	76880S2AG11ZP	NOZZLE ASSY., R. HEADLIGHT WASHER *YR564M*	£76.32	1
31	PFKL833462	76880S2AG11ZQ	NOZZLE ASSY., R. HEADLIGHT WASHER *NH609P*	£76.32	1
31	PFKL833457	76880S2AG11ZK	NOZZLE ASSY., R. HEADLIGHT WASHER *R510*	£81.45	1
31	PFKL833455	76880S2AG11ZH	NOZZLE ASSY., R. HEADLIGHT WASHER *NH676M*	£81.45	1
31	PFKL833454	76880S2AG11ZG	NOZZLE ASSY., R. HEADLIGHT WASHER *NH630M*	£81.45	1
31	PFKL833453	76880S2AG11ZE	NOZZLE ASSY., R. HEADLIGHT WASHER *NH547*	£81.45	1
31	PFKL833451	76880S2AG11ZB	NOZZLE ASSY., R. HEADLIGHT WASHER *B523P*	£81.45	1
31	PFKL833450	76880S2AG11ZA	NOZZLE ASSY., R. HEADLIGHT WASHER *B513M*	£81.45	1
33	PFKL833609	76882S2AG01	CLIP, HEADLIGHT WASHER NOZZLE	£8.02	4
34	PFKL833694	76885S2AG11ZL	NOZZLE ASSY., L. HEADLIGHT WASHER *YR536P*	£81.45	1
34	PFKL833695	76885S2AG11ZM	NOZZLE ASSY., L. HEADLIGHT WASHER *Y65P*	£81.45	1
34	PFKL833696	76885S2AG11ZN	NOZZLE ASSY., L. HEADLIGHT WASHER *B545P*	£81.45	1
34	PFKL833697	76885S2AG11ZP	NOZZLE ASSY., L. HEADLIGHT WASHER *YR564M*	£76.32	1
34	PFKL833698	76885S2AG11ZQ	NOZZLE ASSY., L. HEADLIGHT WASHER *NH609P*	£76.32	1
34	PFKL833693	76885S2AG11ZK	NOZZLE ASSY., L. HEADLIGHT WASHER *R510*	£81.45	1
34	PFKL833692	76885S2AG11ZJ	NOZZLE ASSY., L. HEADLIGHT WASHER *R508P*	£79.08	1
34	PFKL833691	76885S2AG11ZH	NOZZLE ASSY., L. HEADLIGHT WASHER *NH676M*	£81.45	1
34	PFKL833690	76885S2AG11ZG	NOZZLE ASSY., L. HEADLIGHT WASHER *NH630M*	£81.45	1
34	PFKL833689	76885S2AG11ZE	NOZZLE ASSY., L. HEADLIGHT WASHER *NH547*	£81.45	1

34	PFKL833687	76885S2AG11ZB	NOZZLE ASSY., L. HEADLIGHT WASHER *B523P*	£81.45	1
34	PFKL833686	76885S2AG11ZA	NOZZLE ASSY., L. HEADLIGHT WASHER *B513M*	£81.45	1
36	PFKL833899	76889S2AG01	HOSE	£6.44	1
37	PFKL833944	76892SS0S03	HOSE (115MM)	£10.09	1
38	PFKL833951	76892S10S01	HOSE B	£5.29	4
39	PFKL833952	76892S2AG01	JOINT	£10.54	1
40	PFKL833985	76893S2AG01	HOSE	£19.56	2
41	PFKL834005	76894SR3S03	HOSE D	£8.63	1
42	PFKL834009	76894S2AG01	PROTECTOR	£7.06	1
43	PFKL834024	76895S2AG01	CLAMP	£2.05	10
44	PFKL834031	76896SP0G03	JOINT	£7.61	1
45	PFKL834033	76896S2AG01	CLIP	£4.99	4
46	PFKL834044	76899S2AG01	JOINT	£8.82	1
47	PFKL983504	90118SM5G03	BOLT-WASHER, 6MM	£3.44	1
48	PFKL990462	90316SM5G03	NUT, HEX., 6MM	£3.55	1
49	PFKL997951	90652S2A003	CLIP, TUBE, 7MM	£2.93	1
50	PFKL1012335	91522SM4003	CLIP, TUBE & INSULATOR	£3.78	2
51	PFKL1012581	91539SS0003	CLIP, TUBE WASHER	£7.20	1
52	PFKL1017477	934050601608	BOLT-WASHER, 6X16	£2.38	3
53	PFKL2338176	76800T0AP40	TUBE C	£8.43	1



Ref	Part No	Honda Part No	Description	Price (Each)	Req Qty
1	PFKL566900	39112SM4000	BRACKET, FR. SPEAKER SEAL	£23.34	2
3	PFKL567880	39150S2AA01	ANTENNA ASSY., AUTO RADIO	£249.38	1
4	PFKL567997	39151S2HE01	ELEMENT, ANTENNA	£52.36	1
5	PFKL568087	39152S2AA01	BASE COMP., ANTENNA	£166.52	1
6	PFKL568149	39153S2A003	PAD	£9.93	1
7	PFKL568208	39154S2A003	NUT	£10.17	1
8	PFKL568365	39156S2A003	INSULATOR	£8.08	1
9	PFKL568510	39159S2A013	FEEDER, ANTENNA	£0.00	1
10	PFKL998552	90665SM4000	GROMMET, SCREW, 4MM (YELLOW)	£2.74	8
11	PFKL1012469	91531S04003	CLIP, WIRE HARNESS (NATURAL) (44MM)	£3.47	1
12	PFKL1012474	91531S84003	CLIP, WIRE HARNESS (NATURAL) (44MM) (WITH SEAL)	£5.83	2
13	PFKL1020653	9390345220	SCREW, TAPPING, 5X12	£1.49	8
14	PFKL1020845	9391324220	SCREW, TAPPING, 4X12	£1.49	6
15	PFKL1028277	957010601608	BOLT, FLANGE, 6X16	£1.92	1
16	PFKL567217	39120S2A901	SPEAKER ASSY. (MATSUSHITA) (16CM SINGLE CONE)	£77.12	2
17	PFKL567213	39120S2AA11	SPEAKER ASSY. (MATSUSHITA) (1 1/2" TWEETER)	£77.12	2
18	PFKL567214	39120S2AA51	SPEAKER ASSY. (PIONEER)(30MM)	£95.16	2
19	PFKL567215	39120S2AA61	SPEAKER ASSY. (PIONEER)(30MM)	£95.16	2
20	PFKL1012613	91541S6M003	CLIP, HARNESS BAND (BLACK) (140MM)	£4.37	2
21	PFKL1014645	91902SB2003	CUSHION, WIRE HARNESS (50X100)	£7.65	0
22	PFKL1020813	9391314420	SCREW, TAPPING, 4X16 (PO)	£1.49	8
23	PFKL1012597	91540S30003	CLIP, HARNESS BAND (NATURAL) (151.5MM)	£5.51	2

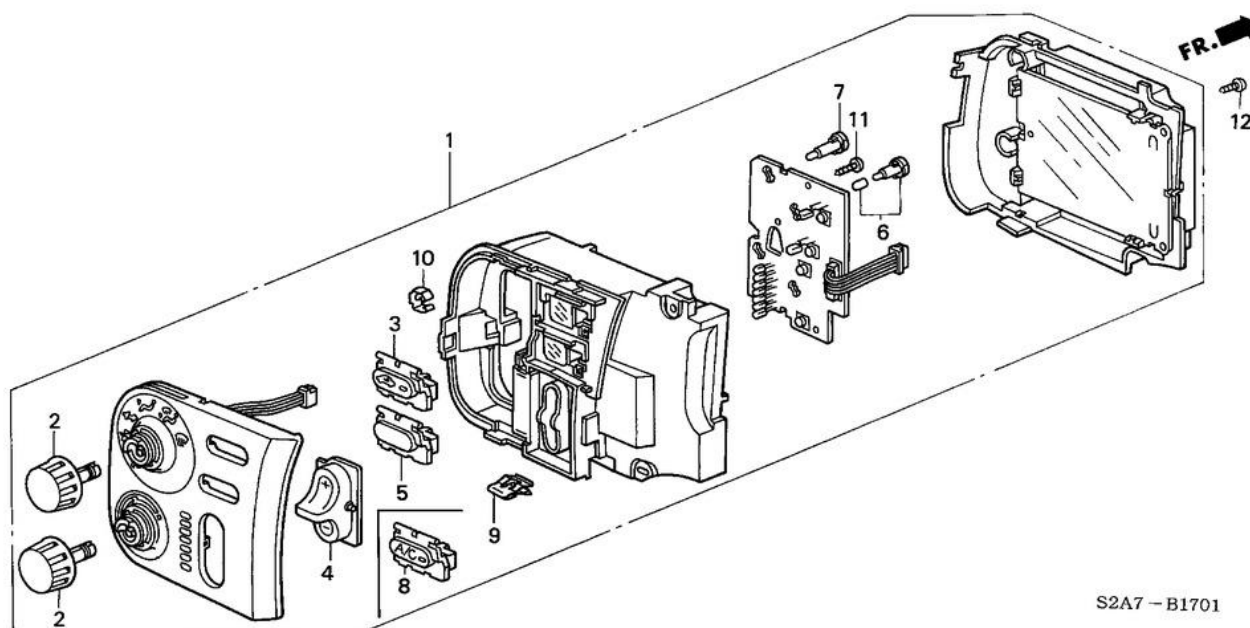
B-16-10 AUTO RADIO



S2A7-B1610B

Ref	Part No	Honda Part No	Description	Price (Each)	Req Qty
2	PFKL566860	PFKL566860	BRACKET, R. RADIO	£6.17	1
3	PFKL568618	PFKL568618	BRACKET, L. RADIO	£6.17	1
4	PFKL1018441	PFKL1018441	SCREW, PAN, 5X8	£1.70	4
5	PFKL1020638	PFKL1020638	SCREW, TAPPING, 4X16	£1.49	4
8	PFKL566413	PFKL566413	TUNER ASSY., AUTO RADIO (PIONEER)(30WX4)	£1,450.98	1
11	PFKL566628	PFKL566628	KNOB, VOLUME	£0.00	1
12	PFKL566696	PFKL566696	KNOB (BASS/FADER) (TREBLE/BALANCE)	£0.00	1

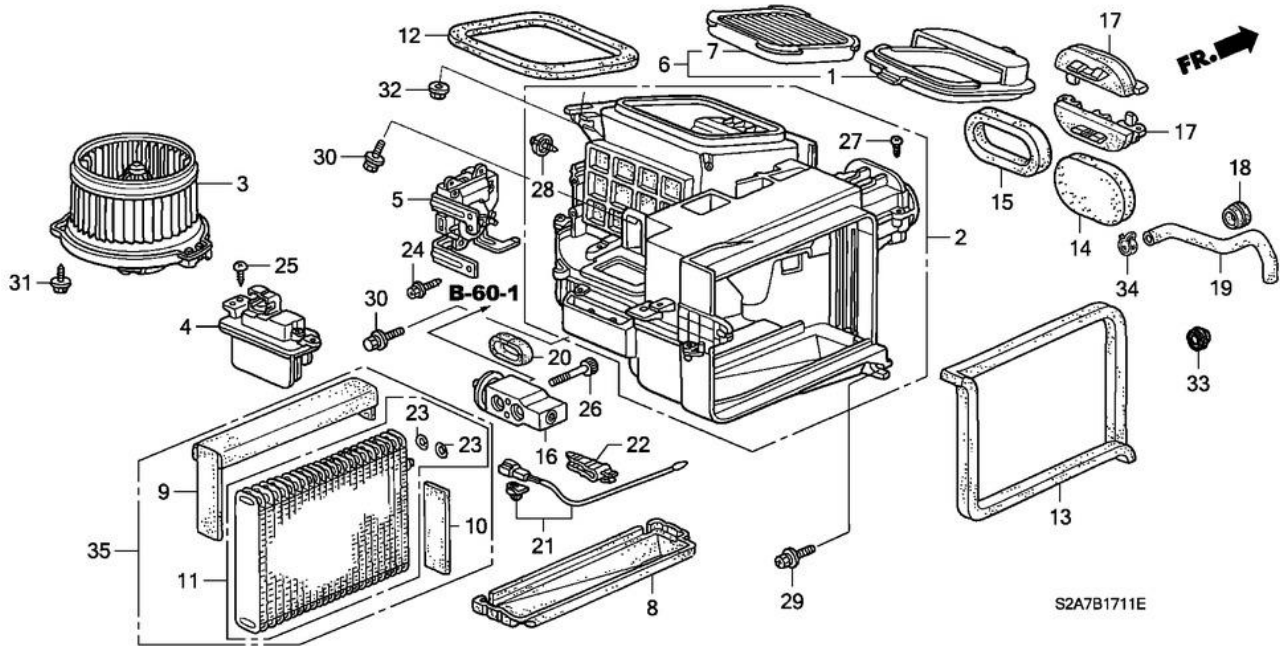
B-17-1 HEATER CONTROL (RH)



S2A7 - B1701

Ref	Part No	Honda Part No	Description	Price (Each)	Req Qty
1	PFKL864375	79500S2A921	CONTROL ASSY., HEATER	£0.00	1
2	PFKL865057	79601S2A911	KNOB, TURN	£19.74	2
3	PFKL865102	79602S2A911	KNOB (REC)	£0.00	1
4	PFKL865240	79608S2A911	KNOB (FAN)	£15.39	1
6	PFKL865408	79628S2A003	BULB, NEO WEDGE (14V 100MA)	£5.78	2
7	PFKL865503	79670SL0A01	BULB, NEO WEDGE (14V 100MA)	£7.25	2
8	PFKL877466	80411S2A911	KNOB, AIR CONDITIONER	£17.15	1
9	PFKL998722	90666SM4003	CLIP, SNAP FITTING	£3.78	1
10	PFKL1014444	91640SM4003	GROMMET, SCREW, 4MM	£4.95	1
11	PFKL1020173	9390122320	SCREW, TAPPING, 3X12	£1.49	7
12	PFKL1020805	9391314220	SCREW, TAPPING, 4X12	£1.49	3

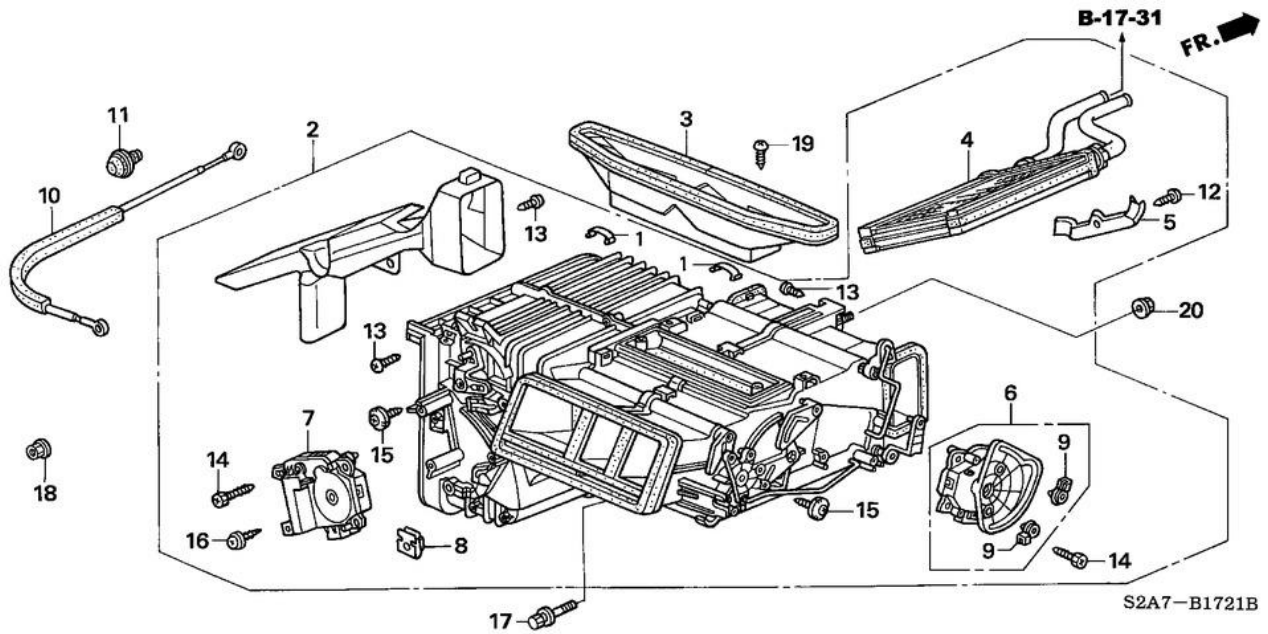
B-17-11 HEATER BLOWER (RH)



Ref	Part No	Honda Part No	Description	Price (Each)	Req Qty
1	PFKL800624	74221S2A003	SHELTER, AIR CONDITIONER	£21.64	1
2	PFKL863897	79305S2A003	BLOWER SUB ASSY.	£0.00	1
3	PFKL863991	79310S1AG01	MOTOR ASSY., FAN	£335.35	1
4	PFKL864091	79330S2A003	TRANSISTOR ASSY.	£206.78	1
5	PFKL864173	79350S2A003	MOTOR ASSY., FRESH & RECIRCULAR	£0.00	1
6	PFKL866129	79830S2A003	FILTER ASSY., HEATER	£101.33	1
7	PFKL866141	79831S2A003	FILTER	£24.60	1
8	PFKL873405	80204S2A003	INSULATOR, LOWER	£0.00	1
9	PFKL873440	80205S2A003	INSULATOR, EVAPORATOR UPPER	£0.00	1
10	PFKL873484	80206S2A003	INSULATOR, EVAPORATOR LOWER	£0.00	1
11	PFKL873939	80215S2A013	EVAPORATOR COMP.	£0.00	1
12	PFKL873996	80216S2A003	PACKING A	£13.09	1
13	PFKL874035	80217S2A003	PACKING B	£0.00	1
15	PFKL874073	80218S2A003	PACKING C	£9.33	1
16	PFKL874186	80220S2A013	VALVE ASSY., EXPANSION	£210.99	1
17	PFKL874318	80231S2A000	COVER A, EXPANSION VALVE	£8.32	2
18	PFKL874596	80272SF4000	GROMMET, DRAIN HOSE	£8.60	1
19	PFKL874615	80275S2A000	HOSE, DRAIN	£0.00	1
20	PFKL874695	80287S2A003	SEAL, EVAPORATOR OUTER	£7.27	1
21	PFKL878312	80560S2A003	THERMISTOR, AIR CONDITIONER	£0.00	1
22	PFKL878351	80566SW5003	CLAMP, EVAPORATOR SENSOR	£0.00	2
23	PFKL879099	80871ST7000	O-RING (5/8")	£4.84	2
24	PFKL983973	90121S2A003	SCREW, TAPPING	£0.00	2
25	PFKL984193	90122SR3003	SCREW, TAPPING, 5X12	£4.55	2
26	PFKL984321	90123S2A003	BOLT, SOCKET, 5X40	£0.00	2
27	PFKL984785	90127SX0003	SCREW, TAPPING, 4X16	£4.55	12
28	PFKL985475	90133SR3003	SCREW-WASHER, 4X16	£3.71	1

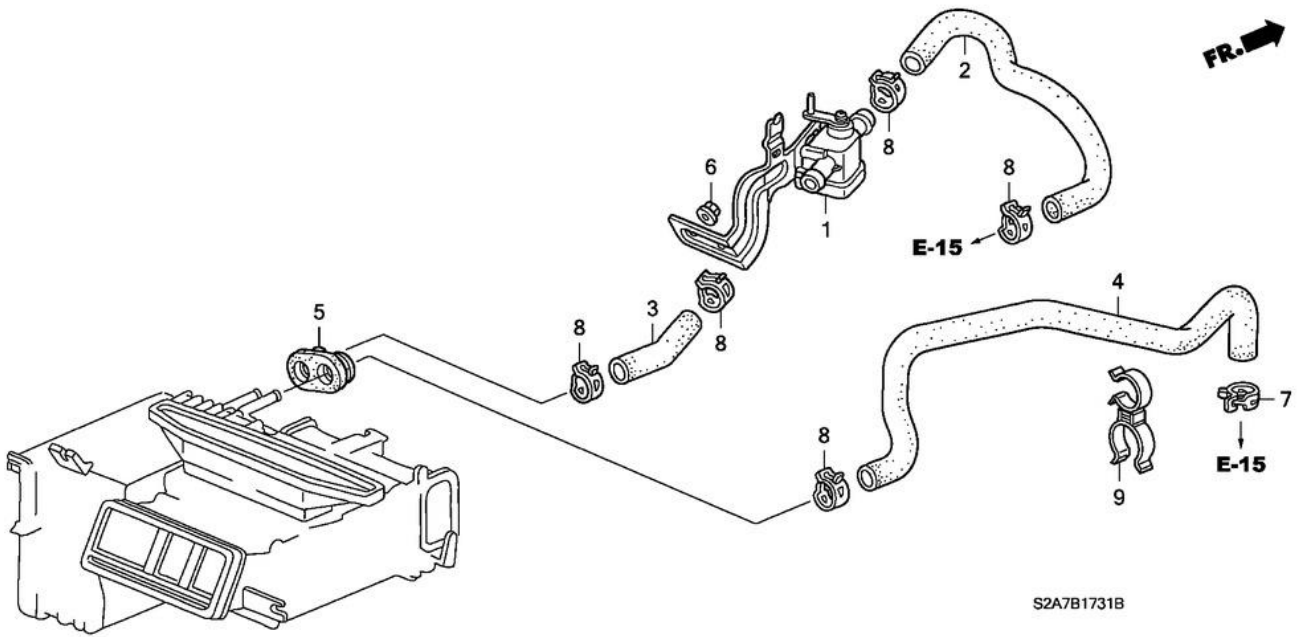
29	PFKL986676	90155SE0003	SCREW, TAPPING, 6X20	£4.32	1
30	PFKL982187	90111SEA000	BOLT-WASHER, 6X24	£4.57	3
31	PFKL1020713	9390435380	SCREW, TAPPING, 5X16	£1.06	3
32	PFKL990527	90321SV4003	NUT-WASHER, 6MM (PAINT CUTTING)	£6.01	2
34	PFKL998354	90661S2A003	CLIP, DRAIN HOSE	£4.59	1
35	PFKL873943	80215S2A316	EVAPORATOR KIT	£658.79	1

B-17-21 HEATER UNIT (RH)

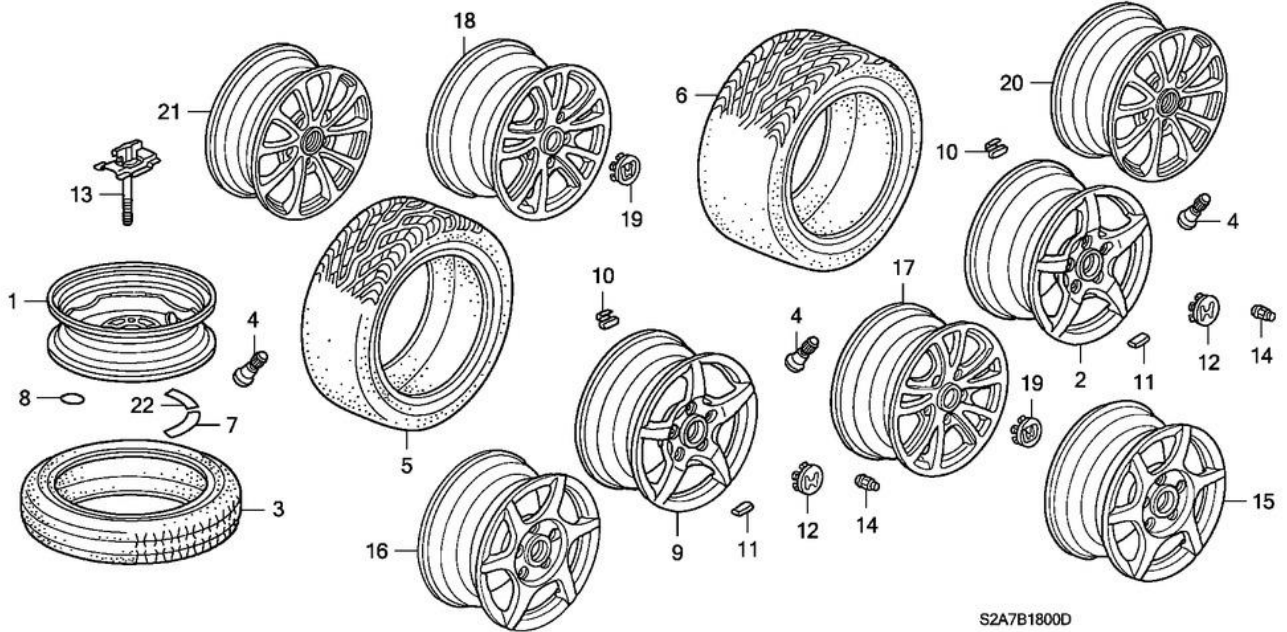


Ref	Part No	Honda Part No	Description	Price (Each)	Req Qty
1	PFKL569427	39246671003	CLAMP, CASE HOLD	£4.61	9
2	PFKL863153	79100S2A013	HEATER UNIT	£0.00	1
3	PFKL863237	79105S2A003	DEFROSTER, OUTLET	£0.00	1
4	PFKL863404	79110S2A003	CORE COMP., HEATER	£0.00	1
5	PFKL863443	79116S2A003	HOLDER	£0.00	1
6	PFKL863527	79140S2A003	MOTOR ASSY., MODE	£0.00	1
7	PFKL863605	79160S2A003	MOTOR ASSY., AIR MIX	£0.00	1
8	PFKL863677	79191SZ3A01	NUT, HOLDER	£0.00	1
9	PFKL863702	79195SF1003	HOLDER, ROD	£5.72	2
10	PFKL864702	79544S2A010	CABLE, WATER VALVE CONTROL	£0.00	1
11	PFKL866042	79770SE0000	GROMMET, WATER VALVE CABLE	£6.79	1
12	PFKL984193	90122SR3003	SCREW, TAPPING, 5X12	£4.55	1
13	PFKL984785	90127SX0003	SCREW, TAPPING, 4X16	£4.55	8
14	PFKL984790	90127S84003	SCREW, TAPPING, 4X16	£2.66	5
15	PFKL985475	90133SR3003	SCREW-WASHER, 4X16	£3.71	2
16	PFKL985483	90133S2A003	SCREW-WASHER, 4X16	£0.00	1
17	PFKL982187	90111SEA000	BOLT-WASHER, 6X24	£4.57	1
18	PFKL990527	90321SV4003	NUT-WASHER, 6MM (PAINT CUTTING)	£6.01	2
19	PFKL1020200	9390124420	SCREW, TAPPING, 4X16	£1.49	2
20	PFKL1021375	9407108080	NUT-WASHER, 8MM	£1.92	1

B-17-31 WATER VALVE (RH)



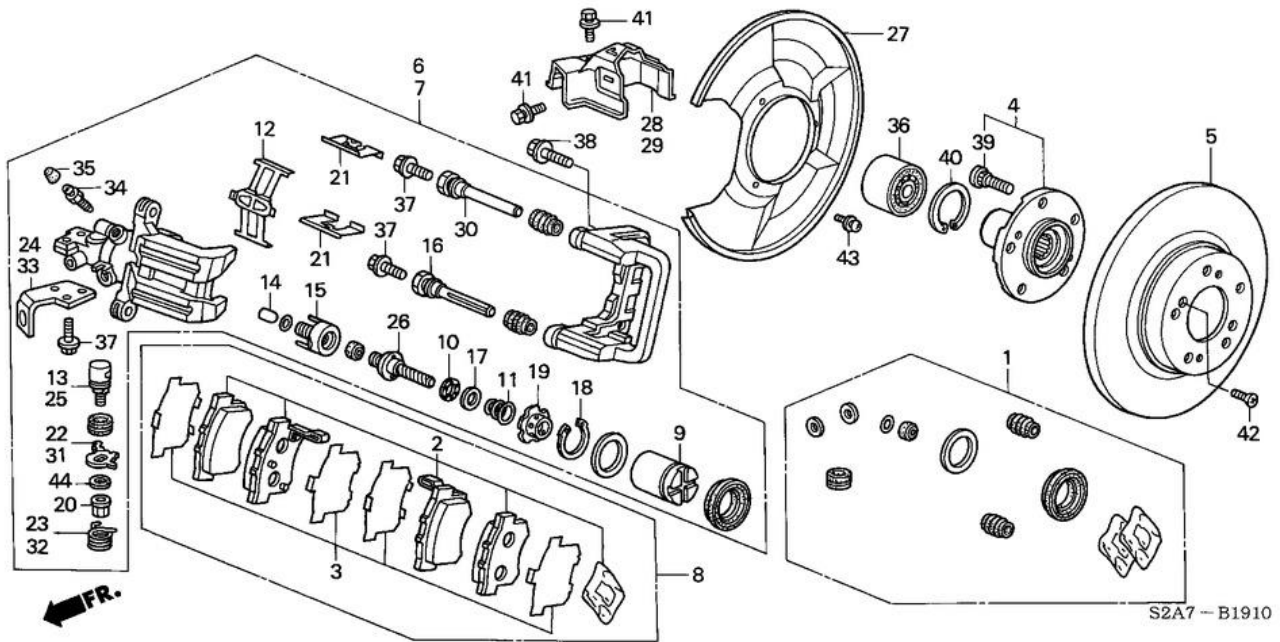
Ref	Part No	Honda Part No	Description	Price (Each)	Req Qty
1	PFKL865622	79710S2A003	VALVE ASSY., WATER	£0.00	1
2	PFKL865758	79721S2A010	HOSE A, WATER IN.	£36.21	1
3	PFKL865826	79722S2A000	HOSE B, WATER IN.	£11.64	1
4	PFKL865948	79725S2A000	HOSE, WATER OUTLET	£37.60	1
5	PFKL865993	79731SH3000	GROMMET, HEATER PIPE	£16.84	1
6	PFKL990828	90361SV4003	NUT, PAINT CUTTING, 6MM	£6.01	1
7	PFKL2073488	90661TK8A01	CLIP, WATER HOSE	£6.43	1
8	PFKL407021	19513PE0003	CLIP, WATER HOSE, 24MM	£5.47	5
9	PFKL1012612	91541S2A003	CLAMP, HEATER HOSE	£0.00	1



Ref	Part No	Honda Part No	Description	Price (Each)	Req Qty
1	PFKL586059	42700S2AE02	DISK, WHEEL (16X4T) (RING TECHS)	£100.69	1
3	PFKL2072321	42751S2A904	TIRE (T125/70D16 96M) (BRIDGESTONE)	£0.00	1
4	PFKL589522	42753671003	VALVE, RIM (US PACIFIC)	£26.43	5
5	PFKL589557	42755S2AG33	TIRE, FR. (215/45R17 87W) (BRIDGESTONE)	£0.00	2
6	PFKL589628	42757S2AG53	TIRE (245/40R17 91W) (BRIDGESTONE)	£0.00	2
7	PFKL590195	42767SB0600	PLATE, SPARE TIRE CAUTION (T-TYPE) (ENGLISH)	£2.21	1
8	PFKL590200	42767SH3E00	PLATE, SPARE TIRE CAUTION (T-TYPE)	£2.18	1
10	PFKL606959	44727SEAJ02	WEIGHT, BALANCE (15G) (YAMATE)	£4.77	0
10	PFKL606906	44726SEAJ02	WEIGHT, BALANCE (5G) (YAMATE)	£3.91	0
10	PFKL606905	44726SEAJ01	WEIGHT, BALANCE (5G) (TOHO)	£3.94	0
10	PFKL607007	44728SEAJ01	WEIGHT, BALANCE (25G) (TOHO)	£5.90	0
10	PFKL607008	44728SEAJ02	WEIGHT, BALANCE (25G) (YAMATE)	£5.94	0
10	PFKL606795	44723SEAJ02	WEIGHT, BALANCE (30G) (YAMATE)	£6.19	0
10	PFKL606794	44723SEAJ01	WEIGHT, BALANCE (30G) (TOHO)	£6.23	0
10	PFKL607055	44729SEAJ01	WEIGHT, BALANCE (35G) (TOHO)	£6.73	0
10	PFKL607056	44729SEAJ02	WEIGHT, BALANCE (35G) (YAMATE)	£6.82	0
10	PFKL606743	44722SEAJ02	WEIGHT, BALANCE (20G) (YAMATE)	£5.27	0
10	PFKL606694	44721SEAJ02	WEIGHT, BALANCE (10G) (YAMATE)	£4.55	0
10	PFKL606693	44721SEAJ01	WEIGHT, BALANCE (10G) (TOHO)	£4.55	0
10	PFKL606958	44727SEAJ01	WEIGHT, BALANCE (15G) (TOHO)	£4.91	0
10	PFKL606742	44722SEAJ01	WEIGHT, BALANCE (20G) (TOHO)	£5.42	0
11	PFKL607009	44728SEAN01	WEIGHT, BALANCE (25G) (TOHO)	£5.90	0
11	PFKL607058	44729SEAN02	WEIGHT, BALANCE (35G) (TOHO ZINC)	£6.05	0
11	PFKL607010	44728SEAN02	WEIGHT, BALANCE (25G) (TOHO ZINC)	£5.29	0
11	PFKL606961	44727SEAN02	WEIGHT, BALANCE (15G) (TOHO ZINC)	£4.91	0
11	PFKL606960	44727SEAN01	WEIGHT, BALANCE (15G) (TOHO)	£4.91	0
11	PFKL607057	44729SEAN01	WEIGHT, BALANCE (35G) (TOHO)	£6.73	0

11	PFKL607105	44730SEAN02	WEIGHT, BALANCE (45G) (TOHO ZINC)	£6.98	0
11	PFKL607104	44730SEAN01	WEIGHT, BALANCE (45G) (TOHO)	£7.85	0
11	PFKL606908	44726SEAN02	WEIGHT, BALANCE (5G) (TOHO ZINC)	£3.73	0
11	PFKL606695	44721SEAN01	WEIGHT, BALANCE (10G) (TOHO)	£4.55	0
11	PFKL606696	44721SEAN02	WEIGHT, BALANCE (10G) (TOHO ZINC)	£4.55	0
11	PFKL606744	44722SEAN01	WEIGHT, BALANCE (20G) (TOHO)	£5.42	0
11	PFKL606745	44722SEAN02	WEIGHT, BALANCE (20G) (TOHO ZINC)	£5.42	0
11	PFKL606796	44723SEAN01	WEIGHT, BALANCE (30G) (TOHO)	£6.23	0
11	PFKL606797	44723SEAN02	WEIGHT, BALANCE (30G) (TOHO ZINC)	£5.58	0
11	PFKL606845	44724SEAN01	WEIGHT, BALANCE (40G) (TOHO)	£7.07	0
11	PFKL606846	44724SEAN02	WEIGHT, BALANCE (40G) (TOHO ZINC)	£6.21	0
11	PFKL606879	44725SEAN01	WEIGHT, BALANCE (50G) (TOHO)	£7.85	0
11	PFKL606880	44725SEAN02	WEIGHT, BALANCE (50G) (TOHO ZINC)	£3.10	0
11	PFKL606907	44726SEAN01	WEIGHT, BALANCE (5G) (TOHO)	£3.94	0
13	PFKL802515	74654S2A000	BOLT, ANCHOR	£17.58	1
14	PFKL989587	90304SA5013	NUT, WHEEL (CHROME PLATED) (FUUSE RASHI)	£7.92	20
19	PFKL607371	44732S2A921	CAP ASSY., ALUMINIUM WHEEL CENTER	£51.81	4
20	PFKL586056	42700S2AA81	DISK, RR. ALUMINIUM WHEEL (17X8 1/2J) (ENKEI)	£423.11	2
21	PFKL604979	44700S2AA81	DISK, FR. ALUMINIUM WHEEL (17X7J) (ENKEI)	£405.95	2

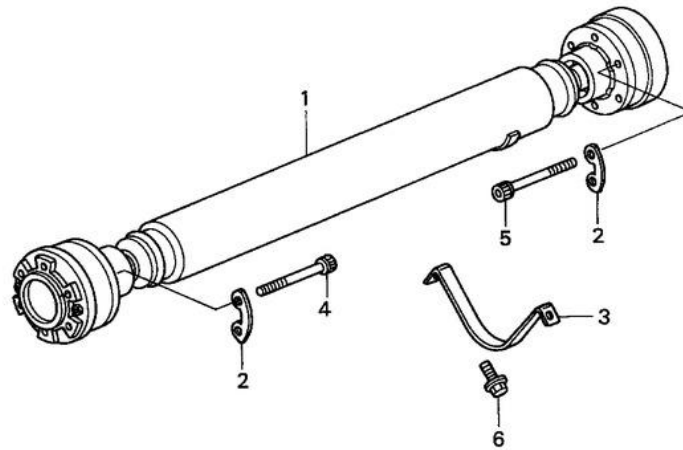
B-19-10 REAR BRAKE



Ref	Part No	Honda Part No	Description	Price (Each)	Req Qty
1	PFKL213423	01473S2A000	CALIPER SET, RR.	£75.80	2
2	PFKL231108	06430S2AE50	PAD SET, RR. (WITHOUT SHIM)	£58.59	1
3	PFKL231320	06435S2A000	SHIM SET, RR.	£18.41	1
4	PFKL581138	42210S2A000	HUB ASSY., RR.	£239.47	2
5	PFKL582653	42510S2A000	DISK, RR. BRAKE (16")	£75.44	2
6	PFKL590909	43018S2A013	CALIPER SUB ASSY., R. RR.	£235.30	1
7	PFKL590955	43019S2A013	CALIPER SUB ASSY., L. RR.	£235.30	1
8	PFKL591176	43022S2AE50	PAD SET, RR. (13CLP-15S,NF71GG)	£58.59	1
9	PFKL593942	43215S2A003	PISTON ASSY.	£63.38	2
10	PFKL593962	43223SD2932	BEARING A	£14.98	2
11	PFKL593963	43224SD2931	SPRING B, ADJUSTING	£7.09	2
12	PFKL593989	43227SG0013	SPRING, PAD	£13.83	2
13	PFKL593996	43228SD2933	SHAFT A	£28.45	1
14	PFKL594000	43229SD2931	ROD	£7.36	2
15	PFKL2109405	43233TR0A01	PISTON COMP., SLEEVE	£15.71	2
16	PFKL594170	43235S84A51	PIN A	£19.45	2
17	PFKL594175	43236S04003	SPACER	£5.78	2
18	PFKL594187	43238S2A003	RING, RETAINING	£8.21	2
19	PFKL594204	43241S2A003	SPRING, GUIDE	£0.00	2
20	PFKL594216	43243SD2931	NUT, PARKING	£5.60	2
21	PFKL594225	43244S23A01	RETAINER	£8.35	4
22	PFKL594246	43245S2A003	LEVER, R.	£15.24	1
23	PFKL594260	43246S2A003	SPRING, R. RETURN	£11.73	1
24	PFKL594284	43247S2A003	ARM, R.	£22.83	1
25	PFKL594294	43248SD2933	SHAFT B	£26.69	1
26	PFKL594303	43249S04003	BOLT, ADJUSTER	£13.39	2
27	PFKL594544	43253S2A000	GUARD, RR. SPLASH	£69.02	2

28	PFKL594665	43255S2A000	PROTECTOR, R. RR. CALIPER	£38.92	1
29	PFKL594704	43256S2A000	PROTECTOR, L. RR. CALIPER	£38.92	1
30	PFKL594716	43262S84A51	PIN B	£19.50	2
31	PFKL594735	43265S2A003	LEVER, L.	£0.00	1
32	PFKL594747	43266S2A003	SPRING, L. RETURN	£11.73	1
33	PFKL594770	43267S2A003	ARM, L.	£0.00	1
34	PFKL595713	43352SM4951	SCREW, BLEEDER	£7.59	2
35	PFKL595731	43353SD5003	CAP, BLEEDER SCREW	£5.90	2
36	PFKL2314939	44300S47305	BEARING ASSY., HUB (NTN)	£121.87	2
37	PFKL616321	45240SC2003	BOLT, FLANGE, 8X22	£8.26	8
38	PFKL980135	90103SV4013	BOLT, FLANGE, 10X30	£8.30	4
39	PFKL982626	90113S5H005	BOLT, WHEEL (SAGA)	£7.27	10
39	PFKL982626	90113S5H005	BOLT, WHEEL (NAGOYA RASHI)	£7.27	10
39	PFKL982626	90113S5H005	BOLT, WHEEL (ROCKNEL FASTENER)	£7.27	10
40	PFKL999666	90681SG0000	CIRCLIP, INTERNAL, 84MM	£16.69	2
41	PFKL1017293	934030601208	BOLT-WASHER, 6X12	£2.21	4
42	PFKL1019085	93600060140H	SCREW, FLAT, 6X14	£3.42	4
43	PFKL1019765	938920501208	SCREW-WASHER, 5X12	£1.56	6
44	PFKL1021552	9411110800	WASHER, SPRING, 10MM	£1.90	2

B-20 PROPELLER SHAFT

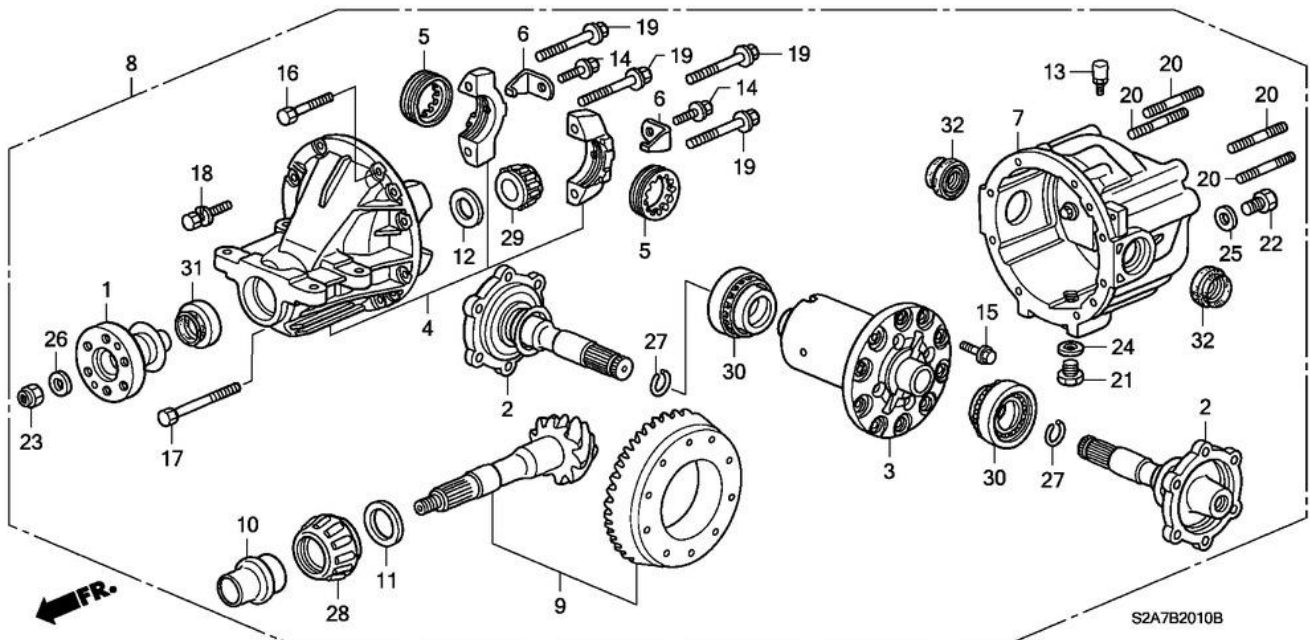


←FR.

S2A7 – B2000

Ref	Part No	Honda Part No	Description	Price (Each)	Req Qty
1	PFKL572596	40100S2A024	SHAFT ASSY., PROPELLER	£2,703.49	1
2	PFKL572721	40140S2A008	WASHER	£4.95	6
3	PFKL575638	40540S2A000	PROTECTOR, SHAFT	£16.59	1
4	PFKL987862	90182S2A000	BOLT, SOCKET, 8X60	£6.95	6
5	PFKL987895	90183S2A000	BOLT, SOCKET, 8X65	£6.95	6
6	PFKL1028436	957010801408	BOLT, FLANGE, 8X14	£2.21	2

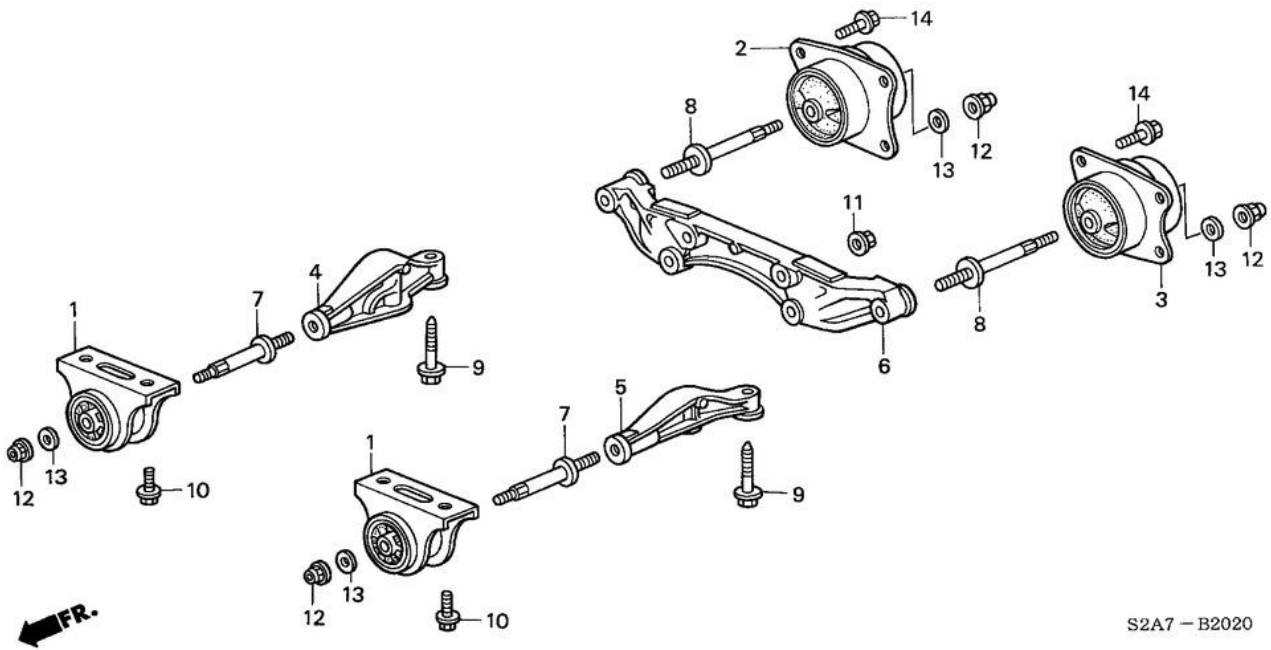
B-20-10 REAR DIFFERENTIAL



Ref	Part No	Honda Part No	Description	Price (Each)	Req Qty
1	PFKL573366	40440PCZ013	FLANGE ASSY., COMPANION	£207.52	1
2	PFKL573373	40443PCZ013	SHAFT ASSY., OUTPUT	£212.91	2
3	PFKL576195	41100PCZ003	DIFFERENTIAL ASSY.	£1,684.27	1
4	PFKL576695	41120PCZ023	CARRIER ASSY., DIFFERENTIAL	£0.00	1
5	PFKL576746	41131PCZ003	SCREW, ADJUST	£16.14	2
6	PFKL576823	41141PCZ003	PLATE, LOCK	£2.09	2
7	PFKL576934	41170PCZ003	CASE ASSY., DIFFERENTIAL	£0.00	1
8	PFKL577201	41200PCZ023	CARRIER ASSY., RR. DIFFERENTIAL	£6,351.58	1
9	PFKL578192	41220PCZ023	GEAR SET, FINAL	£1,054.46	1
10	PFKL578683	41271PCZ003	PIECE, DISTANCE	£44.57	1
11	PFKL579347	41375PCZ003	SPACER (3.095MM)	£24.92	1
11	PFKL579352	41376PCZ003	SPACER (3.125MM)	£24.92	1
11	PFKL579355	41377PCZ003	SPACER (3.155MM)	£24.92	1
11	PFKL579360	41378PCZ003	SPACER (3.185MM)	£24.92	1
11	PFKL579363	41379PCZ003	SPACER (3.215MM)	£24.92	1
11	PFKL579367	41380PCZ003	SPACER (3.245MM)	£24.92	1
11	PFKL579375	41381PCZ003	SPACER (3.275MM)	£24.92	1
11	PFKL579395	41382PCZ003	SPACER (3.305MM)	£24.92	1
11	PFKL579414	41383PCZ003	SPACER (3.335MM)	£24.92	1
11	PFKL579425	41384PCZ003	SPACER (3.365MM)	£24.92	1
11	PFKL579436	41385PCZ003	SPACER (3.395MM)	£24.92	1
11	PFKL579447	41386PCZ003	SPACER (3.425MM)	£24.92	1
11	PFKL579457	41387PCZ003	SPACER (3.455MM)	£24.92	1
11	PFKL579341	41374PCZ003	SPACER (3.47MM)	£24.92	1
11	PFKL579335	41373PCZ003	SPACER (3.44MM)	£24.92	1
11	PFKL579283	41360PCZ003	SPACER SET (27 PIECES)	£645.62	1
11	PFKL579284	41361PCZ003	SPACER (3.08MM)	£24.92	1

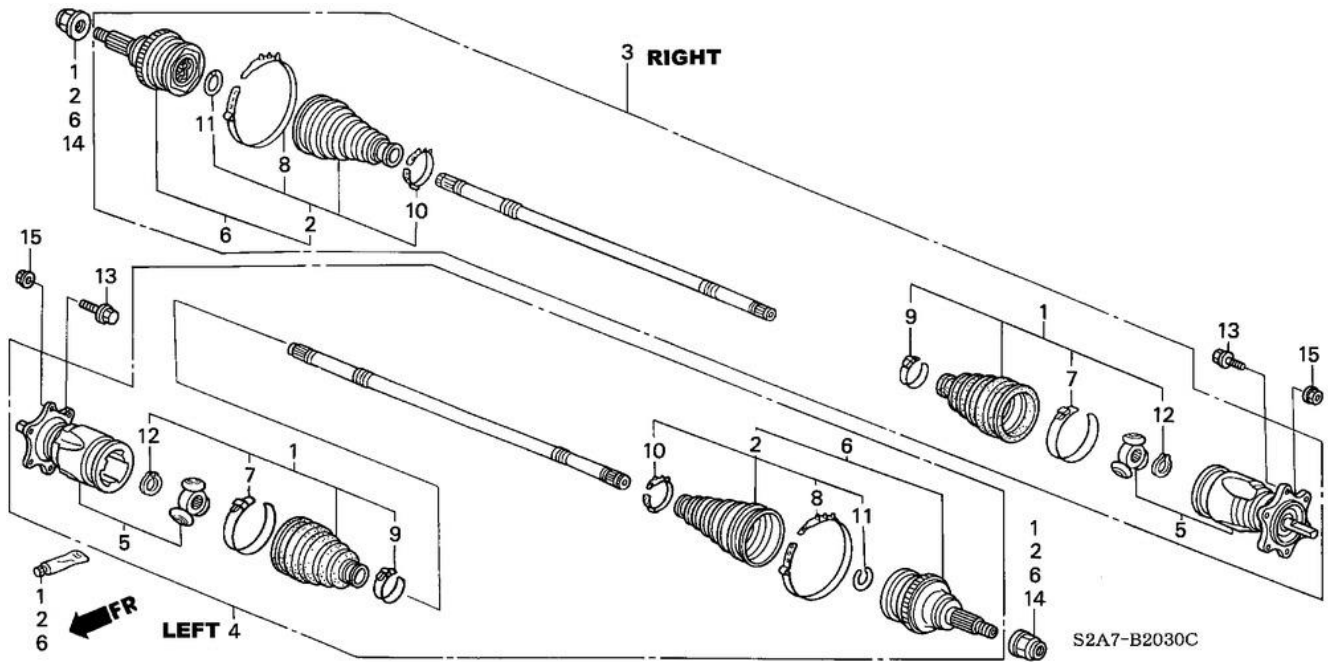
11	PFKL579288	41362PCZ003	SPACER (3.11MM)	£24.92	1
11	PFKL579293	41363PCZ003	SPACER (3.14MM)	£24.92	1
11	PFKL579297	41364PCZ003	SPACER (3.17MM)	£24.92	1
11	PFKL579300	41365PCZ003	SPACER (3.20MM)	£24.92	1
11	PFKL579304	41366PCZ003	SPACER (3.23MM)	£24.92	1
11	PFKL579307	41367PCZ003	SPACER (3.26MM)	£24.92	1
11	PFKL579310	41368PCZ003	SPACER (3.29MM)	£24.92	1
11	PFKL579313	41369PCZ003	SPACER (3.32MM)	£24.92	1
11	PFKL579316	41370PCZ003	SPACER (3.35MM)	£24.92	1
11	PFKL579319	41371PCZ003	SPACER (3.38MM)	£24.92	1
11	PFKL579327	41372PCZ003	SPACER (3.41MM)	£24.92	1
12	PFKL580211	41461PCZ003	SPACER	£36.89	1
13	PFKL580630	41935PCZ003	BREATHER ASSY.	£11.13	1
14	PFKL973943	90001PCZ003	BOLT	£3.85	2
15	PFKL974228	90002PCZ003	BOLT	£10.27	10
16	PFKL974425	90003PCZ003	BOLT	£11.83	1
17	PFKL974617	90004PCZ003	BOLT	£15.93	1
18	PFKL974777	90005PCZ003	BOLT-WASHER	£2.02	8
19	PFKL974908	90006PCZ003	BOLT	£0.00	4
20	PFKL975458	90011PCZ003	BOLT, STUD	£9.38	4
21	PFKL978489	90081PCZ003	PLUG, MAGNETIC	£19.00	1
22	PFKL978574	90082PCZ003	PLUG	£6.98	1
23	PFKL988235	90201PCZ003	NUT, LOCK	£11.18	1
24	PFKL991172	90401PCZ003	PACKING	£1.20	1
25	PFKL991327	90402PCZ003	PACKING	£4.00	1
26	PFKL991443	90403PCZ003	WASHER, PINION	£8.72	1
27	PFKL996668	90601PCZ003	CIRCLIP	£2.47	2
28	PFKL1001636	91001PCZ003	BEARING ASSY.	£126.68	1
29	PFKL1001933	91002PCZ003	BEARING ASSY.	£101.77	1
30	PFKL1002144	91003PCZ003	BEARING ASSY.	£113.27	2
31	PFKL1005682	91201PCZ003	OIL SEAL	£26.14	1
32	PFKL1006036	91202PCZ003	OIL SEAL	£17.91	2

B-20-20 REAR DIFFERENTIAL MOUNT

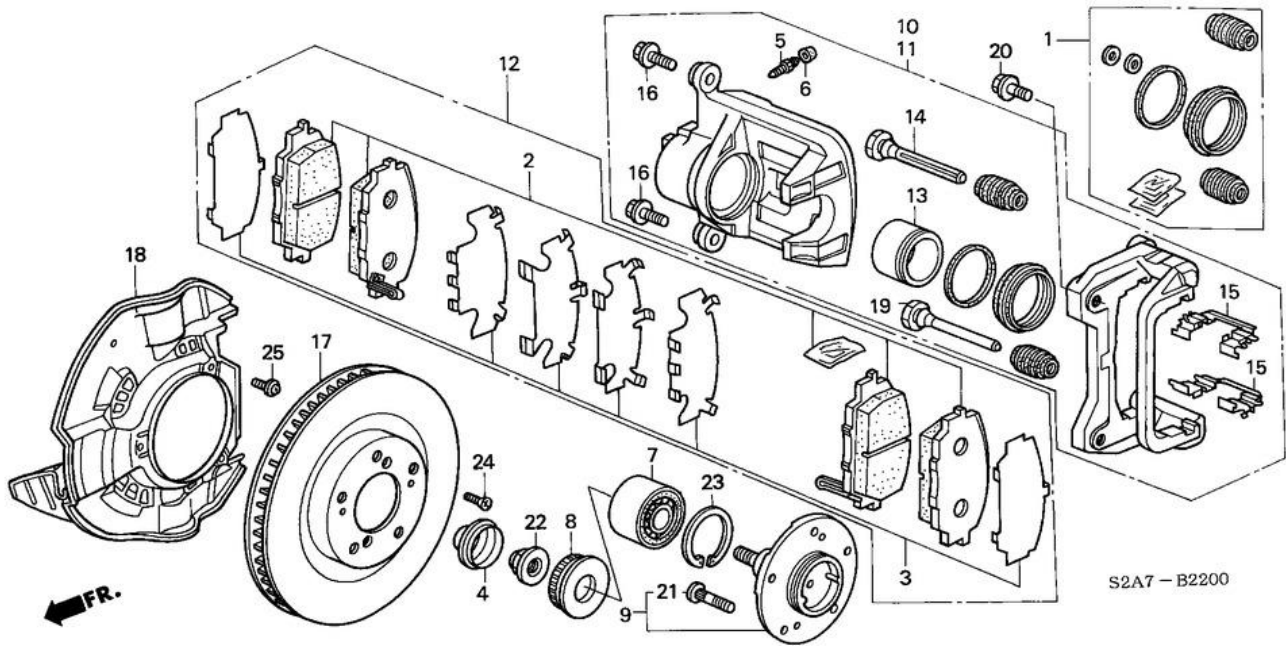


Ref	Part No	Honda Part No	Description	Price (Each)	Req Qty
1	PFKL645096	50710S2A000	MOUNTING COMP. A, RR. DIFFERENTIAL	£87.15	2
2	PFKL645854	50730S2A023	RUBBER ASSY., R. DIFFERENTIAL MOUNTING	£185.94	1
2	PFKL645854	50730S2A023	RUBBER ASSY., R. DIFFERENTIAL MOUNTING	£185.94	1
3	PFKL645923	50740S2A023	RUBBER ASSY., L. DIFFERENTIAL MOUNTING	£185.94	1
3	PFKL645923	50740S2A023	RUBBER ASSY., L. DIFFERENTIAL MOUNTING	£185.94	1
4	PFKL646016	50750S2A000	BRACKET, R. RR. DIFFERENTIAL MOUNTING	£71.51	1
5	PFKL646086	50760S2A000	BRACKET, L. RR. DIFFERENTIAL MOUNTING	£71.51	1
6	PFKL646096	50770S2A000	BRACKET B, RR. DIFFERENTIAL MOUNTING	£114.38	1
7	PFKL985287	90131S2A000	BOLT A, DIFFERENTIAL MOUNTING	£27.64	2
8	PFKL985482	90133S2A000	BOLT B, DIFFERENTIAL MOUNTING	£29.89	2
9	PFKL987317	90165S2A000	BOLT, FLANGE, 12X55	£7.31	4
10	PFKL987367	90166SR3000	BOLT, FLANGE, 10X30	£4.59	4
11	PFKL990928	90371S2A000	NUT, FLANGE, 12MM	£4.57	4
12	PFKL990940	90372SR3003	NUT, FLANGE, 12MM	£4.25	4
13	PFKL994796	90504SR3010	WASHER, FR. STOPPER	£7.65	4
14	PFKL1028600	957011001608	BOLT, FLANGE, 10X16	£2.14	8

B-20-30 REAR DRIVESHAFT



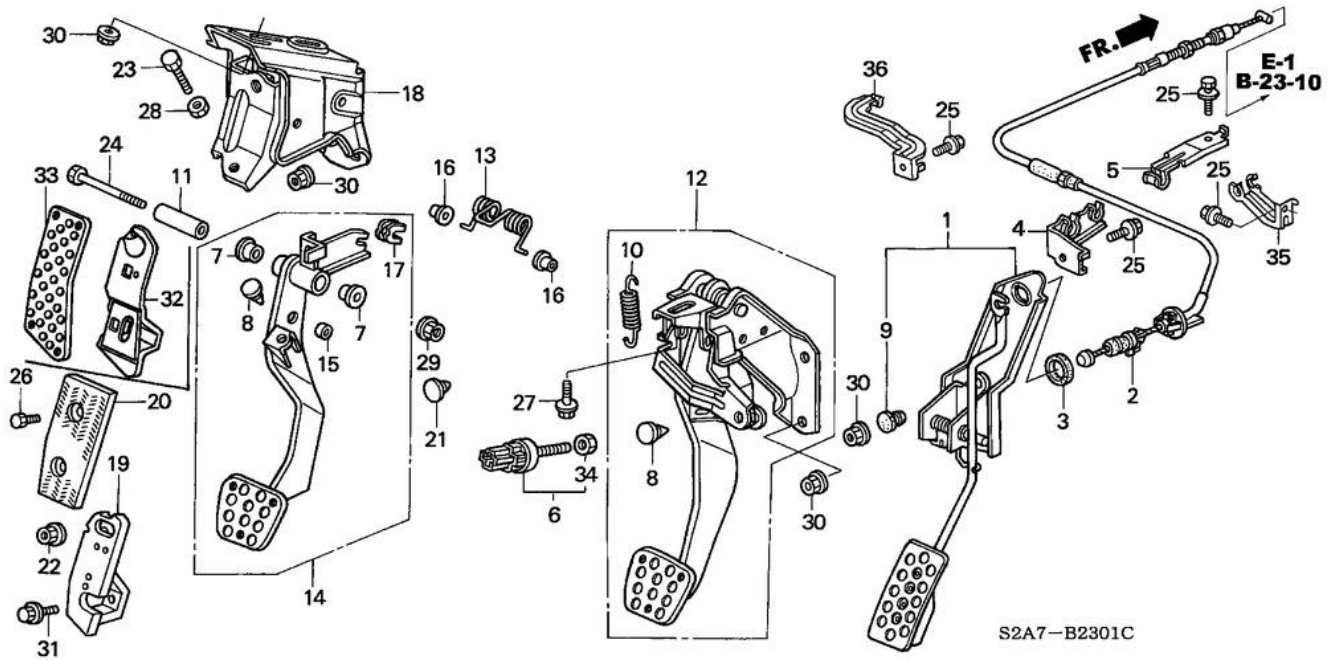
Ref	Part No	Honda Part No	Description	Price (Each)	Req Qty
1	PFKL580715	42017S2A010	BOOT SET, INBOARD	£69.33	2
2	PFKL580732	42018S2A020	BOOT SET, OUTBOARD	£69.33	2
3	PFKL581748	42310S2A951	DRIVESHAFT ASSY., R.	£1,335.70	1
4	PFKL581950	42311S2A951	DRIVESHAFT ASSY., L.	£1,245.67	1
5	PFKL582295	42320S2A310	JOINT COMP., INBOARD	£287.38	2
6	PFKL2017003	44014S2A953	JOINT SET, OUTBOARD	£241.76	2
7	PFKL602310	44327SV4305	BAND, JOINT BOOT (DOUBLE ROLLED BAND)	£15.52	2
8	PFKL602312	44327SX0C02	BAND, OUTBOARD BOOT (NIPPON HATSUJO)	£21.99	2
9	PFKL602357	44329SV4305	BAND, SHAFT BOOT (DOUBLE ROLLED BAND)	£12.75	2
10	PFKL602367	44329S2AN01	BAND C	£12.01	2
11	PFKL602453	44337SB0300	RING B, STOPPER	£5.42	2
12	PFKL602471	44338SB0300	CIRCLIP, 26MM	£4.32	2
13	PFKL987828	90181S2A000	BOLT, FLANGE, 10X26	£7.85	12
14	PFKL989810	90305SD4003	NUT, SPINDLE (24MM)	£7.10	2
15	PFKL974285	90002S10000	NUT, FLANGE, 10MM	£2.11	12



Ref	Part No	Honda Part No	Description	Price (Each)	Req Qty
1	PFKL212902	01463S2A000	CALIPER SET	£73.65	2
2	PFKL231460	06450S2AE50	PAD SET, FR. (WITHOUT SHIM)	£0.00	1
3	PFKL231795	06455S2A000	SHIM SET, FR.	£18.25	1
4	PFKL582356	42326SLJ000	CAP, HUB UNIT	£9.26	2
4	PFKL582356	42326SLJ000	CAP, HUB UNIT	£9.26	2
5	PFKL595713	43352SM4951	SCREW, BLEEDER	£7.59	2
6	PFKL595731	43353SD5003	CAP, BLEEDER SCREW	£5.90	2
7	PFKL2314939	44300S47305	BEARING ASSY., HUB (NTN)	£121.87	2
8	PFKL602535	44350S2A000	PULSER ASSY., FR.	£71.43	2
9	PFKL603187	44600S2A000	HUB ASSY., FR.	£189.10	2
10	PFKL609523	45018S2A003	CALIPER SUB ASSY., R. FR.	£305.60	1
11	PFKL609582	45019S2A003	CALIPER SUB ASSY., L. FR.	£305.60	1
12	PFKL2336008	45022S2AE51	PAD SET, FR. (16CL-16VN,J632)	£69.64	1
13	PFKL615595	45216SR3V01	PISTON (54MM)	£80.72	2
14	PFKL616235	45235S0A003	PIN A	£13.48	2
15	PFKL616292	45237S2A003	RETAINER	£14.42	4
16	PFKL616320	45240SA7003	BOLT, FLANGE, 8X22	£8.24	4
17	PFKL616727	45251S2A000	DISK, FR. BRAKE (16")	£84.16	2
18	PFKL616893	45255S2A010	GUARD, FR. SPLASH	£66.98	2
19	PFKL616980	45262S0A003	PIN B	£13.48	2
20	PFKL981346	90107SM4000	BOLT, CALIPER MOUNTING (12X21)	£5.60	4
21	PFKL982626	90113S5H005	BOLT, WHEEL (ROCKNEL FASTENER)	£7.27	10
21	PFKL982626	90113S5H005	BOLT, WHEEL (NAGOYA RASHI)	£7.27	10
21	PFKL982626	90113S5H005	BOLT, WHEEL (SAGA)	£7.27	10
22	PFKL989833	90305S2A003	NUT, SPINDLE	£12.82	2
23	PFKL999666	90681SG0000	CIRCLIP, INTERNAL, 84MM	£16.69	2
24	PFKL1019085	93600060140H	SCREW, FLAT, 6X14	£3.42	4

25	PFKL1019765	938920501208	SCREW-WASHER, 5X12	£1.56	6
----	-----------------------------	--------------	--------------------	-------	---

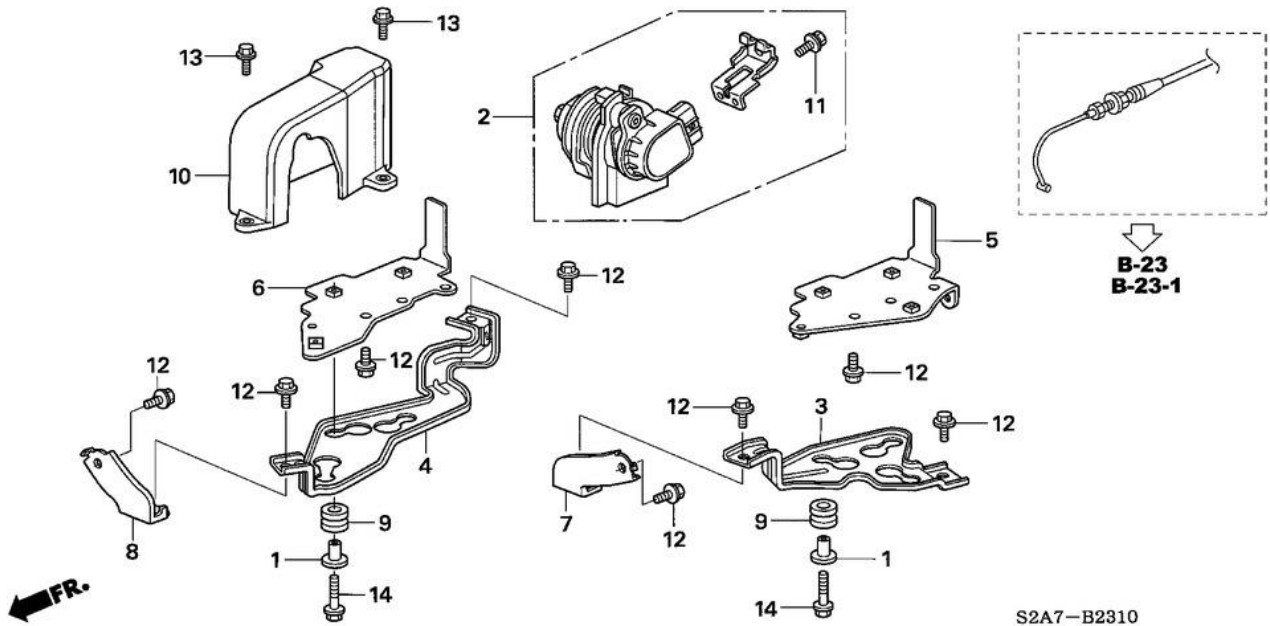
B-23-1 PEDAL (RH)



Ref	Part No	Honda Part No	Description	Price (Each)	Req Qty
1	PFKL375365	17800S2A033	PEDAL ASSY., ACCELERATOR	£0.00	1
2	PFKL377366	17910S2AJ52	WIRE, THROTTLE	£55.26	1
3	PFKL378743	17921SA4730	SEAL, THROTTLE CABLE	£8.48	1
4	PFKL378840	17928S2A000	STAY, THROTTLE WIRE	£0.00	1
6	PFKL532349	35350S2A003	SWITCH ASSY., STOP	£31.53	1
7	PFKL625801	46504ST5300	BUSH, PEDAL	£6.35	2
8	PFKL625823	46505SA5000	PAD, PEDAL STOPPER	£3.98	2
9	PFKL625825	46505SA7000	PAD, PEDAL STOPPER	£5.89	1
10	PFKL626534	46530S2A003	SPRING ASSY., PEDAL RETURN	£8.53	1
11	PFKL626577	46535SM4000	COLLAR, PEDAL	£89.59	1
12	PFKL626894	46600S2AJ02	PEDAL ASSY., BRAKE	£0.00	1
13	PFKL627277	46907S2A003	SPRING, CLUTCH RETURN	£0.00	1
14	PFKL2159626	46910S2A023	PEDAL COMP., CLUTCH	£0.00	1
15	PFKL627349	46911SD4930	BUSH, PEDAL PIN	£7.38	1
16	PFKL628262	46981S2A003	BUSH A, CLUTCH ASSISTANT	£7.07	2
17	PFKL628272	46982S2A003	BUSH B, ASSISTANT	£7.63	1
18	PFKL628298	46990S2A003	BRACKET, CLUTCH PEDAL	£57.75	1
21	PFKL818862	75891611000	COVER, DOOR SWITCH	£8.73	1
22	PFKL989126	90301SV7000	NUT, PAINT CUTTING, 6MM	£7.16	1
23	PFKL1016224	92201100300H	BOLT, HEX., 10X30	£2.14	1
24	PFKL1016235	92201100700J	BOLT, HEX., 10X70	£2.14	1
25	PFKL1017293	934030601208	BOLT-WASHER, 6X12	£2.21	3
27	PFKL1017532	934060801608	BOLT-WASHER, 8X16	£1.91	1
28	PFKL1021082	94002100000S	NUT, HEX., 10MM	£1.92	1
29	PFKL1021350	9405010080	NUT, FLANGE, 10MM	£2.14	1
30	PFKL1021366	9407008080	NUT-WASHER, 8MM	£1.92	9
31	PFKL1028241	957010601008	BOLT, FLANGE, 6X10	£1.92	1

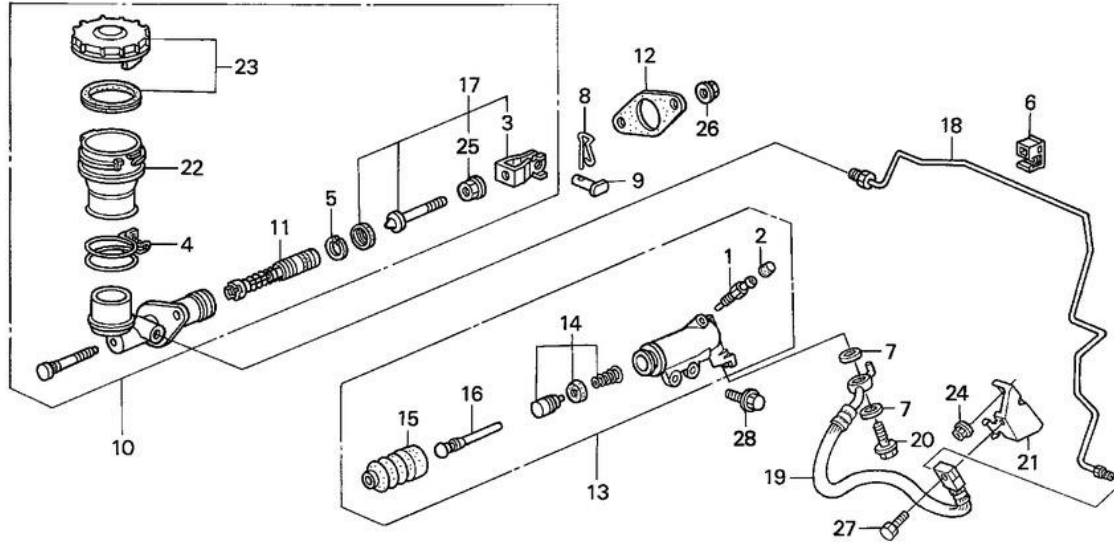
32	PFKL628373	46991S2A010	BRACKET COMP., FOOTREST	£0.00	1
33	PFKL628410	46992S2A010	PLATE, FOOTREST BRACKET	£122.36	1
35	PFKL378933	17931S2A010	CLAMP, THROTTLE WIRE	£0.00	1
36	PFKL378985	17932S2A000	CLAMP, THROTTLE WIRE	£0.00	1

B-23-10 ACCELERATOR SENSOR



Ref	Part No	Honda Part No	Description	Price (Each)	Req Qty
1	PFKL540400	36641PY3000	COLLAR, ACTUATOR MOUNT	£0.00	3
2	PFKL554776	37971PZX003	SENSOR ASSY., ACCELERATOR PEDAL	£183.36	1
4	PFKL554795	37976PZX010	BRACKET, ACCELERATOR PEDAL SENSOR	£0.00	1
6	PFKL554805	37977PZX010	STAY COMP., ACCELERATOR PEDAL SENSOR	£0.00	1
8	PFKL554813	37978PZX000	STAY, R.	£0.00	1
9	PFKL554814	37978RCAA00	RUBBER, MOUNT	£0.00	3
10	PFKL554828	37996RCAA00	COVER COMP., ACCELERATOR PEDAL SENSOR	£26.13	1
11	PFKL1017216	934020501408	BOLT-WASHER, 5X14	£1.42	2
12	PFKL1028254	957010601208	BOLT, FLANGE, 6X12	£1.92	5
13	PFKL1028277	957010601608	BOLT, FLANGE, 6X16	£1.92	2
14	PFKL1028316	957010602508	BOLT, FLANGE, 6X25	£2.21	3

B-23-23 CLUTCH MASTER CYLINDER (RH) ('04-)

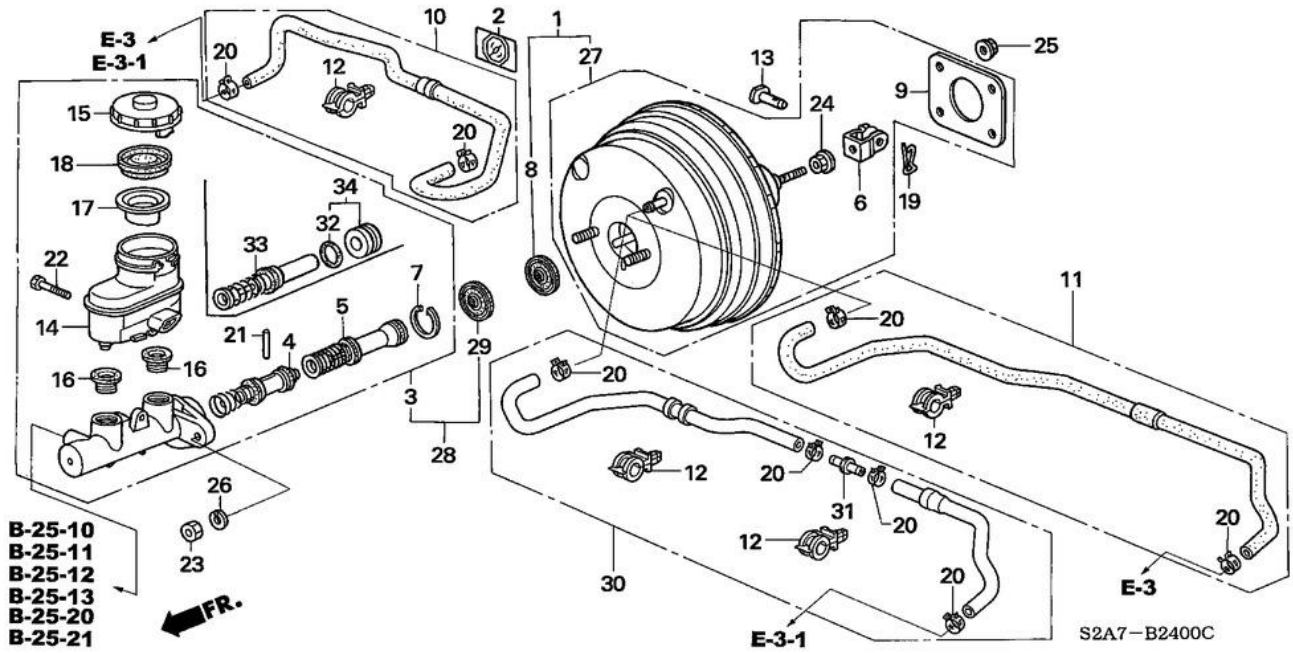


S2A7-B2323

Ref	Part No	Honda Part No	Description	Price (Each)	Req Qty
1	PFKL595721	43352567000	SCREW, BLEEDER	£4.19	1
2	PFKL595731	43353SD5003	CAP, BLEEDER SCREW	£5.90	1
3	PFKL620861	46151SA5003	YOKE COMP. (NISSIN)	£12.80	1
4	PFKL620889	46165632000	BAND, RESERVOIR	£10.40	1
5	PFKL620931	46182500013	CIRCLIP	£3.47	1
6	PFKL623392	46396S84A01	CLIP, BRAKE PIPE	£8.25	3
7	PFKL625079	46472568000	PACKING, OIL BOLT	£6.73	2
8	PFKL627356	46911S70003	PIN, LOCK (8MM)	£7.38	1
9	PFKL627365	46912S84A00	PIN, CLUTCH PEDAL	£6.95	1
10	PFKL627436	46920S2A003	CYLINDER ASSY., CLUTCH MASTER	£228.12	1
11	PFKL627514	46926SF1003	PISTON ASSY.	£52.02	1
12	PFKL627522	46928SF1000	SEAL, CLUTCH MASTER CYLINDER	£6.88	1
13	PFKL627570	46930S2AA02	CYLINDER ASSY., CLUTCH SLAVE	£188.76	1
14	PFKL627609	46932S2AA01	PISTON, SLAVE CYLINDER	£44.99	1
15	PFKL627645	46937SR3003	BOOT, SLAVE CYLINDER	£8.06	1
16	PFKL627648	46938SD4003	ROD, PUSH	£20.24	1
17	PFKL627750	46950S2A003	ROD ASSY., PUSH	£19.19	1
18	PFKL627866	46960S2A030	PIPE ASSY., CLUTCH	£0.00	1
19	PFKL627973	46961S2A023	HOSE, CLUTCH	£55.76	1
20	PFKL628006	46963SD4020	BOLT, CLUTCH OIL	£7.65	1
21	PFKL628096	46968S2A020	BRACKET, CLUTCH HOSE	£11.06	1
22	PFKL628234	46972SF1003	TANK, CLUTCH FLUID	£14.25	1
23	PFKL628241	46973SD4003	CAP COMP., RESERVE TANK	£27.25	1
24	PFKL989126	90301SV7000	NUT, PAINT CUTTING, 6MM	£7.16	2
25	PFKL1021341	9405008080	NUT, FLANGE, 8MM	£2.75	1
26	PFKL1021366	9407008080	NUT-WASHER, 8MM	£1.92	2
27	PFKL1028491	957010803008	BOLT, FLANGE, 8X30	£2.14	1

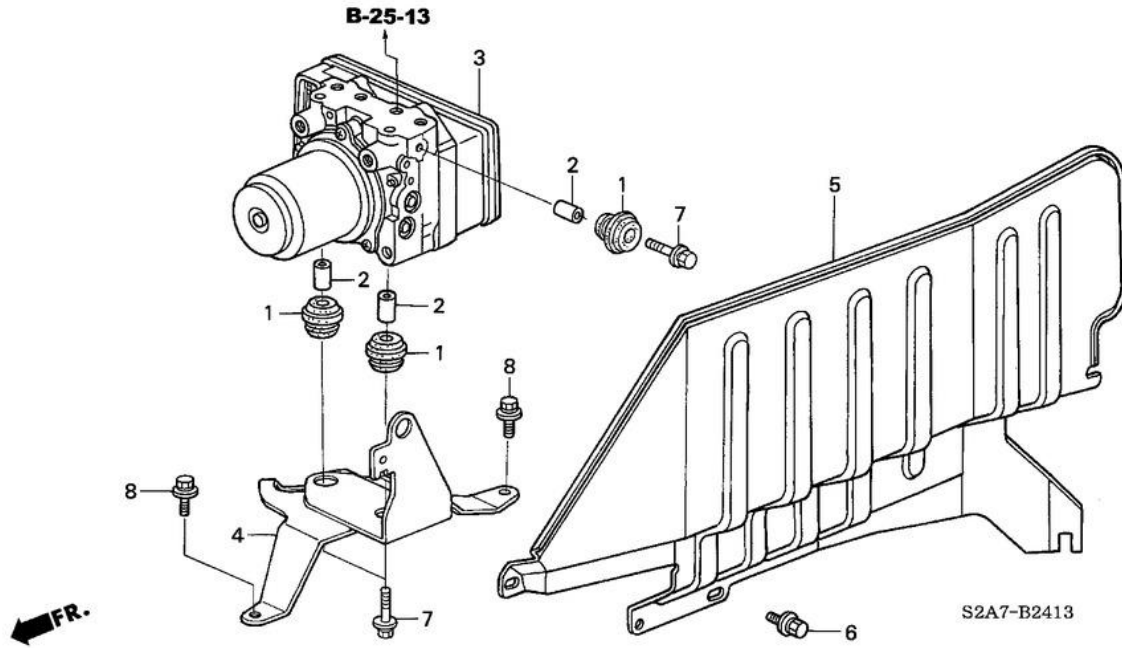
28	PFKL1028477	957010802508	BOLT, FLANGE, 8X25	£2.14	2
----	-----------------------------	--------------	--------------------	-------	---

B-24 BRAKE MASTER CYLINDER/ MASTER POWER



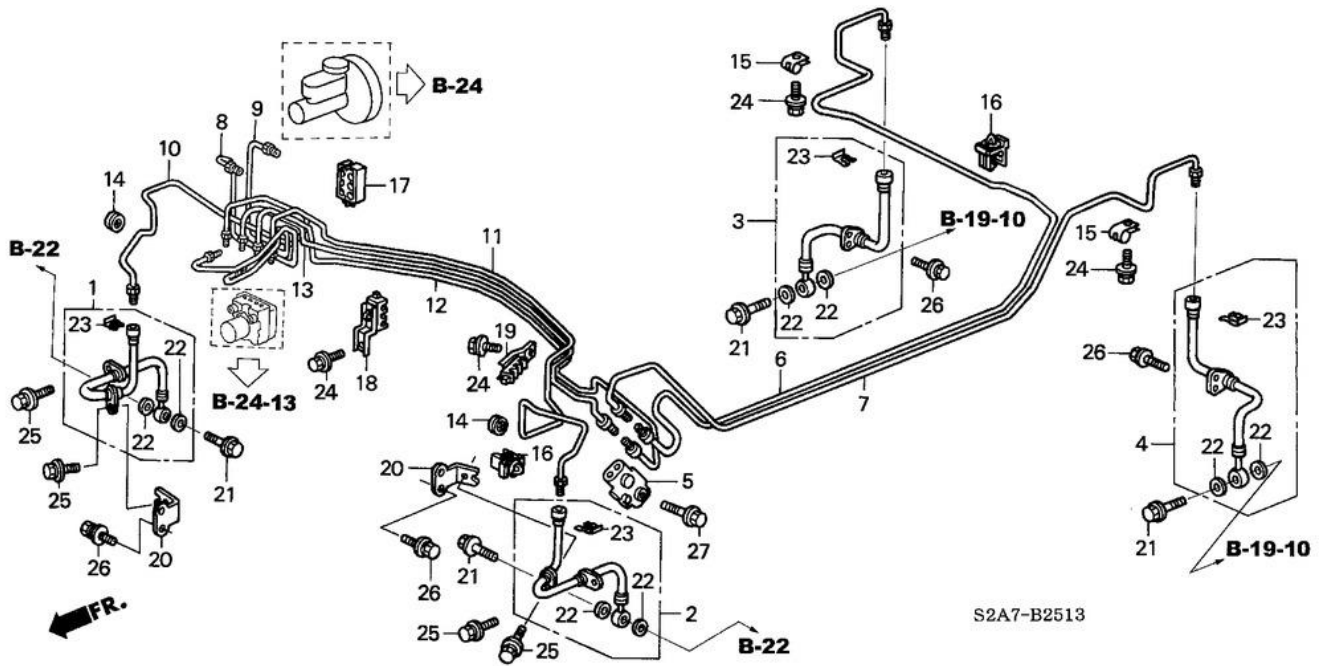
Ref	Part No	Honda Part No	Description	Price (Each)	Req Qty
1	PFKL213372	01469S2AJ50	POWER SET, MASTER	£592.49	1
3	PFKL620562	46100S2AJ51	CYLINDER ASSY., MASTER	£0.00	1
4	PFKL620712	46120SFEJ11	PISTON ASSY., PRIMARY	£48.82	1
5	PFKL620766	46122SFEJ11	PISTON ASSY., SECONDARY	£43.93	1
6	PFKL620863	46151SB2003	YOKE, PUSH ROD (NISSIN)	£13.17	1
7	PFKL620928	46182S84A51	CIRCLIP	£6.08	1
8	PFKL620950	46185S04J01	SEAL, ROD	£7.54	1
9	PFKL620956	46191S2K000	PACKING, MASTER POWER	£7.38	1
12	PFKL624002	46407S84A01	CLAMP, TUBE	£6.55	2
13	PFKL626072	46512S70000	PIN, PEDAL	£7.50	1
14	PFKL627015	46661S2A013	RESERVOIR SET	£74.28	1
15	PFKL627073	46662S9A003	CAP COMP., RESERVE TANK	£22.59	1
16	PFKL627093	46665S04J01	GROMMET	£14.13	2
17	PFKL627117	46666S2K003	FILTER, BRAKE RESERVOIR	£9.50	1
18	PFKL627128	46669S5A003	DIAPHRAGM	£13.43	1
19	PFKL627356	46911S70003	PIN, LOCK (8MM)	£7.38	1
20	PFKL696800	53729671003	CLAMP D, 15.5MM	£7.36	4
21	PFKL704900	57515S30003	PIN, STOP	£6.35	1
22	PFKL1016346	92301050250H	BOLT, RECESSED, 5X25	£1.92	1
23	PFKL1020964	94001080000S	NUT, HEX., 8MM	£2.38	2
24	PFKL1021341	9405008080	NUT, FLANGE, 8MM	£2.75	1
25	PFKL1021366	9407008080	NUT-WASHER, 8MM	£1.92	4
26	PFKL1021546	9411108800	WASHER, SPRING, 8MM	£1.42	2
30	PFKL623667	46402S2A013	TUBE ASSY., MASTER POWER	£0.00	1
31	PFKL623726	46403S6A000	JOINT, TWO WAY	£7.41	1

B-24-13 ABS MODULATOR (RH) ('04-)



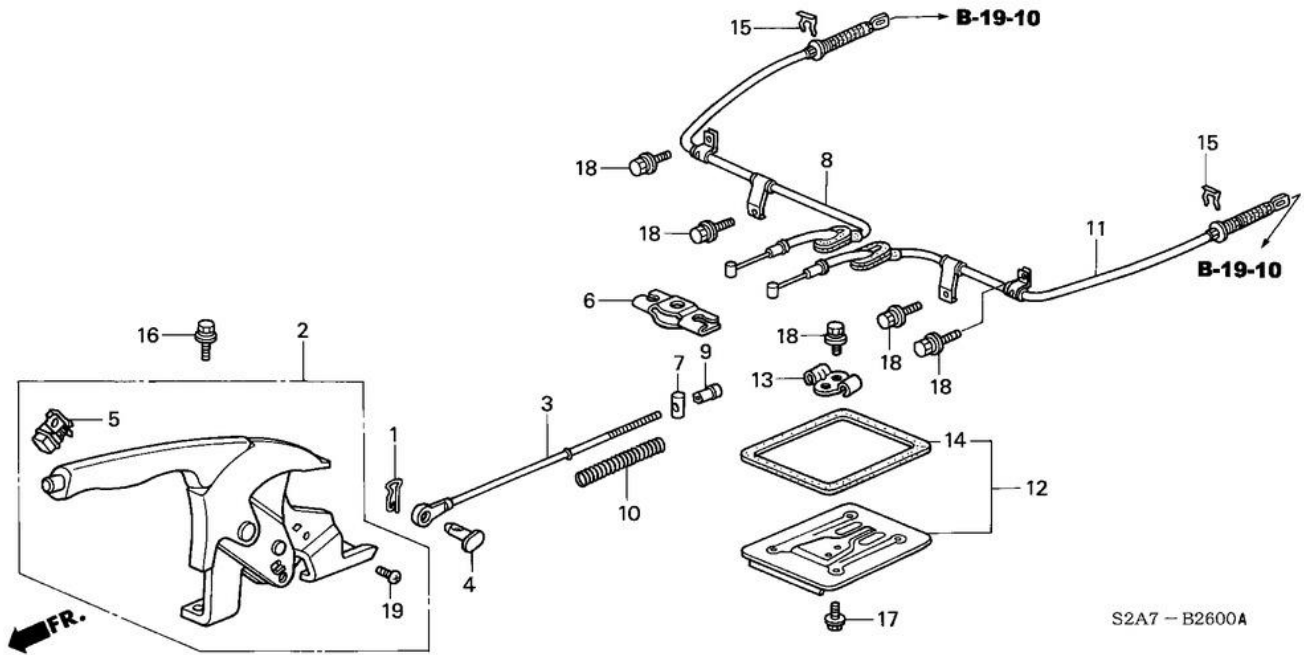
Ref	Part No	Honda Part No	Description	Price (Each)	Req Qty
1	PFKL703261	57101SDA003	RUBBER, MOUNT	£7.04	3
2	PFKL703287	57103SDA003	COLLAR	£4.32	3
3	PFKL703574	57110S2AA62	MODULATOR ASSY.	£1,453.88	1
4	PFKL703724	57115S2A600	BRACKET, MODULATOR	£0.00	1
5	PFKL704028	57255S2A020	PLATE, BAFFLE	£88.38	1
6	PFKL1017293	934030601208	BOLT-WASHER, 6X12	£2.21	4
7	PFKL1017401	934040602508	BOLT-WASHER, 6X25	£2.21	3
8	PFKL1017471	934050601408	BOLT-WASHER, 6X14	£1.73	3

B-25-13 BRAKE LINES (ABS) (RH) ('04-)



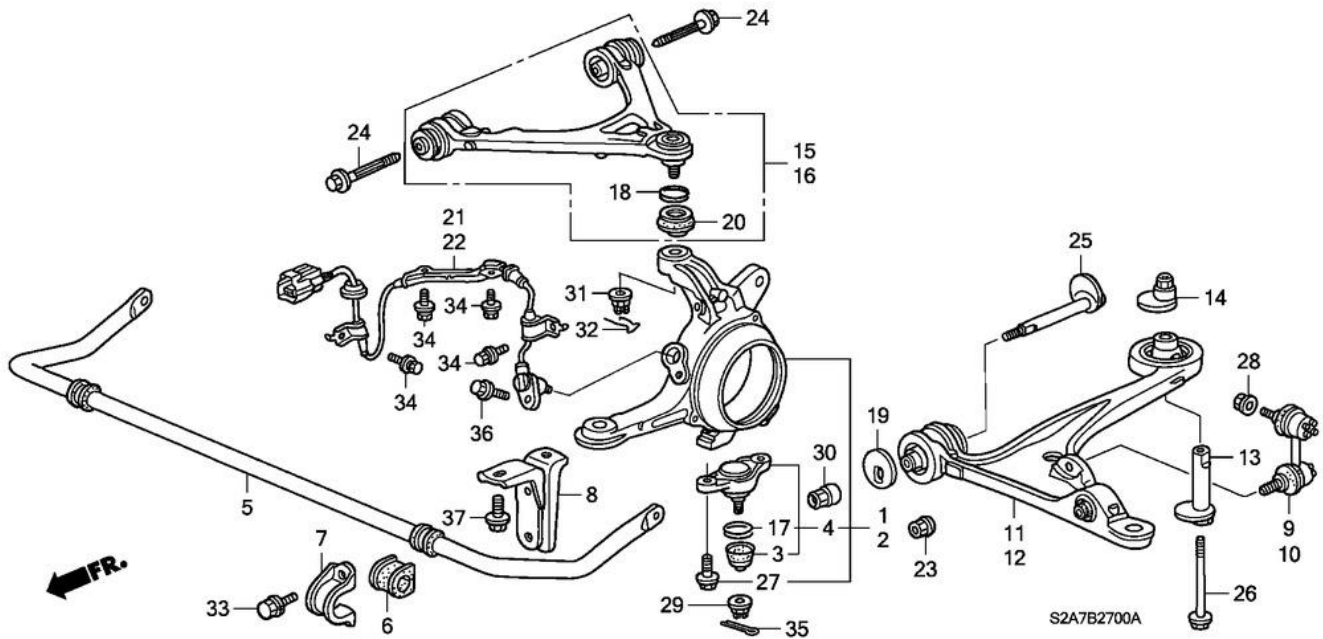
Ref	Part No	Honda Part No	Description	Price (Each)	Req Qty
1	PFKL213029	01464S2A010	HOSE SET, R. FR. BRAKE	£75.18	1
2	PFKL213141	01465S2A010	HOSE SET, L. FR. BRAKE	£75.18	1
3	PFKL213259	01466S2A010	HOSE SET, R. RR. BRAKE	£69.39	1
4	PFKL213308	01468S2A010	HOSE SET, L. RR. BRAKE	£69.39	1
5	PFKL621142	46210S2AJ51	VALVE ASSY., PROPORTIONING (ABS)	£238.53	1
6	PFKL621646	46330S2A602	PIPE COMP. C, BRAKE	£102.20	1
7	PFKL621931	46340S2A602	PIPE COMP. D, BRAKE	£91.25	1
8	PFKL622375	46374S2A601	PIPE COMP. U, BRAKE	£0.00	1
9	PFKL622549	46375S2A601	PIPE COMP. V, BRAKE	£0.00	1
10	PFKL622695	46376S2A601	PIPE COMP. W, BRAKE	£51.58	1
11	PFKL622845	46377S2A602	PIPE COMP. X, BRAKE	£0.00	1
12	PFKL622959	46378S2A602	PIPE COMP. Y, BRAKE	£0.00	1
13	PFKL623064	46379S2A602	PIPE COMP. Z, BRAKE	£0.00	1
14	PFKL623095	46380SH3000	GROMMET A, BRAKE PIPE	£6.39	2
15	PFKL623155	46391SR3J00	CLAMP, BRAKE PIPE	£7.26	2
16	PFKL623171	46391SX8T01	CLIP, BRAKE PIPE	£4.41	5
17	PFKL623191	46391S84A51	CLIP, BRAKE PIPE	£4.41	1
18	PFKL623296	46393S2AJ01	CLIP, BRAKE PIPE	£7.75	2
19	PFKL623297	46393S2A000	CLIP, BRAKE PIPE	£7.71	1
20	PFKL624557	46428S2A000	BRACKET, BRAKE HOSE	£7.61	2
21	PFKL625028	46462SE0000	BOLT, OIL	£7.16	4
22	PFKL625079	46472568000	PACKING, OIL BOLT	£6.73	8
23	PFKL997790	90651538000	CLIP, BRAKE HOSE	£3.65	4
24	PFKL1017227	934020601208	BOLT-WASHER, 6X12	£1.92	5
25	PFKL1017253	934020802008	BOLT-WASHER, 8X20	£1.91	4
26	PFKL1017303	934030601608	BOLT-WASHER, 6X16	£2.21	8
27	PFKL1029167	958010804008	BOLT, FLANGE, 8X40	£2.26	1

B-26 PARKING BRAKE



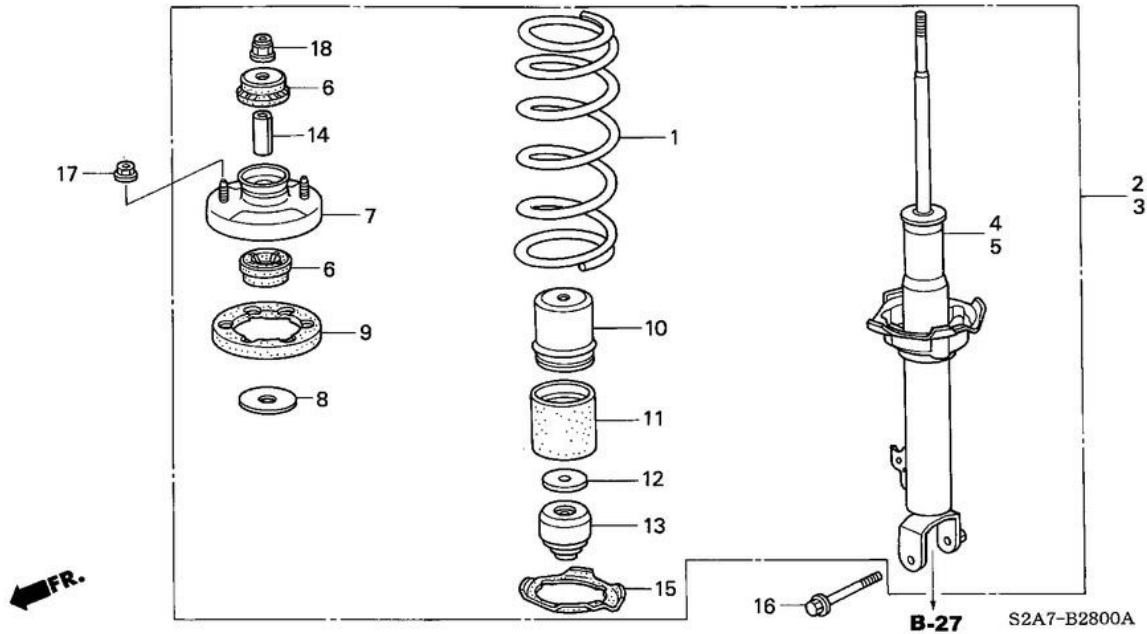
Ref	Part No	Honda Part No	Description	Price (Each)	Req Qty
1	PFKL627356	46911S70003	PIN, LOCK (8MM)	£7.38	1
2	PFKL628852	47105S2AJ10ZA	LEVER ASSY., PARKING BRAKE *NH167L*	£104.55	1
3	PFKL629059	47146S2A000	BOLT, JOINT	£0.00	1
4	PFKL629078	47153S2A000	PIN, HAND BRAKE	£4.86	1
5	PFKL629281	47342S2A003	SWITCH, PARKING BRAKE	£0.00	1
6	PFKL629306	47360SB2000	EQUALIZER	£13.75	1
7	PFKL629349	47365S38000	PIN, EQUALIZER	£6.43	1
8	PFKL629639	47510S2A013	WIRE A, R. PARKING BRAKE	£92.94	1
9	PFKL629853	47522S2A000	NUT, ADJUSTER	£0.00	1
10	PFKL629889	47537671670	SPRING, PARKING BRAKE ROD	£4.03	1
11	PFKL630158	47560S2A013	WIRE A, L. PARKING BRAKE	£92.94	1
12	PFKL630214	47571S2AJ00	PLATE ASSY., WIRE BASE GUIDE	£17.29	1
13	PFKL630238	47572ST0000	BASE, WIRE GUIDE	£10.08	1
14	PFKL630249	47573S2A000	PACKING	£0.00	1
15	PFKL997790	90651538000	CLIP, BRAKE HOSE	£3.65	2
16	PFKL1017255	934020802508	BOLT-WASHER, 8X25	£2.14	2
17	PFKL1017293	934030601208	BOLT-WASHER, 6X12	£2.21	4
18	PFKL1017336	934030801608	BOLT-WASHER, 8X16	£2.14	6
19	PFKL1019722	938920401208	SCREW-WASHER, 4X12	£1.20	1

B-27 FRONT KNUCKLE

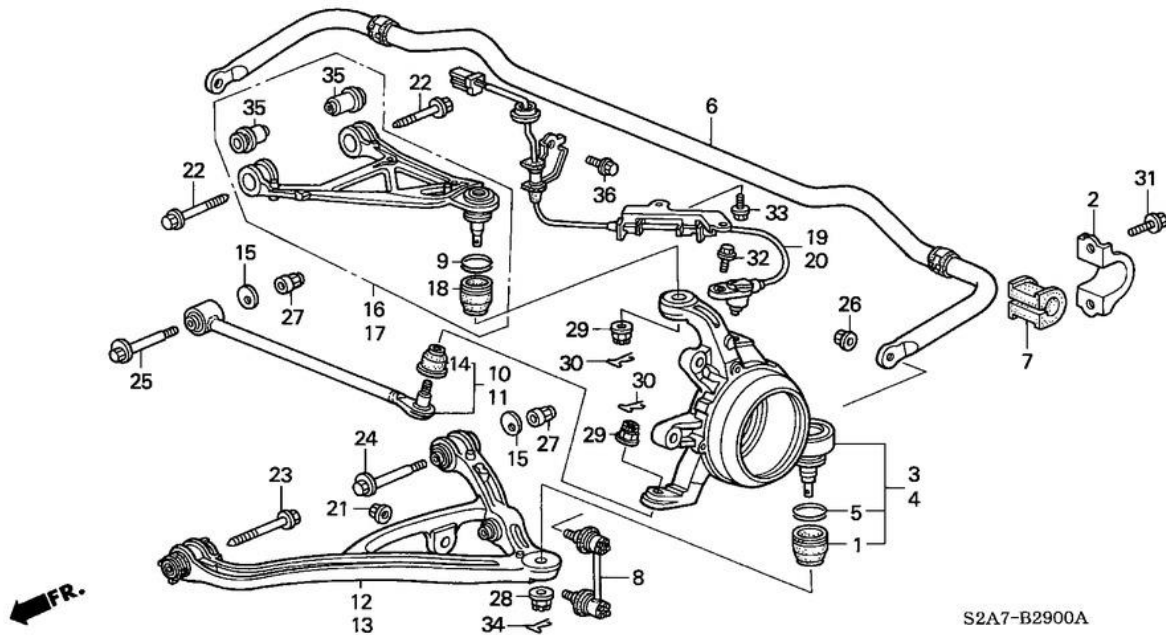


Ref	Part No	Honda Part No	Description	Price (Each)	Req Qty
1	PFKL648945	51210S2A010	KNUCKLE COMP., R. FR.	£525.02	1
2	PFKL649332	51215S2A010	KNUCKLE COMP., L. FR.	£525.02	1
3	PFKL649549	51225SL5003	BOOT, LOWER BALL DUST	£26.65	2
4	PFKL649571	51230S2A000	JOINT ASSY., FR. LOWER BALL	£59.62	2
5	PFKL649817	51300S2A033	SPRING, FR. STABILIZER	£295.58	1
6	PFKL650020	51306S2A013	BUSH, STABILIZER HOLDER	£12.90	2
7	PFKL650086	51308SZ3010	BRACKET, STABILIZER	£13.14	2
8	PFKL650293	51317S2A000	BRACKET, STABILIZER HOLD	£28.89	2
9	PFKL650333	51320S2A003	LINK COMP., R. FR. STABILIZER	£59.62	1
10	PFKL650365	51321S2A003	LINK COMP., L. FR. STABILIZER	£59.62	1
11	PFKL650627	51350S2A030	ARM COMP., R. FR. LOWER	£335.98	1
12	PFKL651024	51360S2A030	ARM COMP., L. FR. LOWER	£335.93	1
13	PFKL651378	51392S2A000	COLLAR, FR. LOWER ARM	£37.45	2
14	PFKL651425	51393S2A020	NUT, SELF-LOCK CAM (12MM)	£56.13	2
14	PFKL651425	51393S2A020	NUT, SELF-LOCK CAM (12MM)	£56.13	2
15	PFKL658139	51450S2A003	ARM ASSY., R. FR. UPPER	£427.69	1
16	PFKL658541	51460S2A013	ARM COMP., L. FR. UPPER	£427.69	1
17	PFKL670130	52226SL0003	CIRCLIP, LOWER BALL (MUSASHI)	£9.02	2
18	PFKL670690	52338SL0003	CIRCLIP, CONTROL ARM	£7.60	2
19	PFKL672299	52388SM4961	PLATE, CAM	£6.75	2
19	PFKL672299	52388SM4961	PLATE, CAM	£6.75	2
20	PFKL677352	52454S84A01	BOOT, UPPER DUST	£17.44	2
21	PFKL704437	57450S2A003	SENSOR ASSY., R. FR.	£257.64	1
22	PFKL704578	57455S2A003	SENSOR ASSY., L. FR.	£257.64	1
23	PFKL974285	90002S10000	NUT, FLANGE, 10MM	£2.11	2
24	PFKL987493	90170SP0000	BOLT A, LOWER ARM	£14.97	4
25	PFKL987497	90170S2A000	BOLT B, FR. LOWER ARM ADJUST	£19.82	2

26	PFKL987532	90171S2A020	BOLT C, FR. LOWER ARM	£12.18	2
26	PFKL987532	90171S2A020	BOLT C, FR. LOWER ARM	£12.18	2
27	PFKL987659	90175S2A000	BOLT, FLANGE, 12X37	£7.31	4
28	PFKL988666	90212SA5003	NUT, SELF-LOCK, 10MM	£1.96	2
29	PFKL990061	90307SL5000	NUT, CASTLE, 14MM	£7.51	2
30	PFKL990847	90362S2A000	NUT, SELF-LOCK (12MM)	£6.75	2
31	PFKL990858	90363SZ3003	NUT, UPPER ARM, 12MM	£6.00	2
32	PFKL1000211	90701SX0003	CLIP, UPPER ARM	£5.71	2
33	PFKL1017267	934021002008	BOLT-WASHER, 10X20	£2.14	4
34	PFKL1017293	934030601208	BOLT-WASHER, 6X12	£2.21	8
35	PFKL1021631	9420130220	PIN, SPLIT, 3.0X22	£1.56	2
36	PFKL1028277	957010601608	BOLT, FLANGE, 6X16	£1.92	2
37	PFKL1028704	957011202508	BOLT, FLANGE, 12X25	£2.97	4



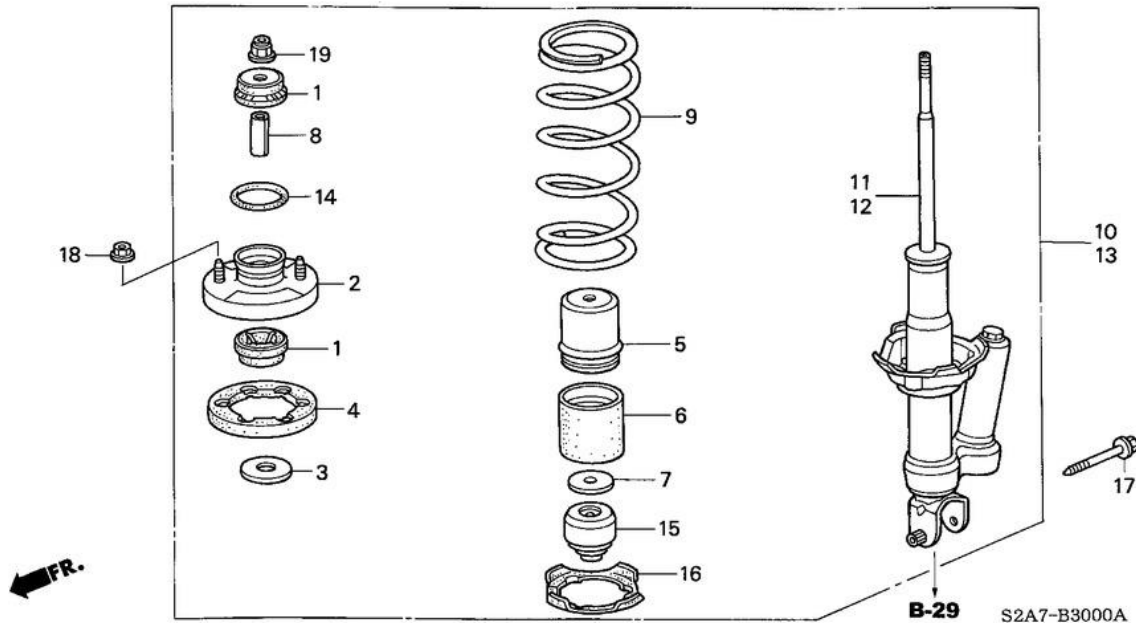
Ref	Part No	Honda Part No	Description	Price (Each)	Req Qty
1	PFKL653975	51631S2A004	SPRING, FR. (SHOWA)	£103.99	2
2	PFKL662740	51675SR0004	ABSORBER ASSY., R. FR. SHOCK	£0.00	1
3	PFKL664050	51685S2A004	ABSORBER ASSY., L. FR. SHOCK	£474.30	1
4	PFKL664931	51686SR3003	ABSORBER UNIT, R. FR. SHOCK	£309.29	1
5	PFKL665469	51687S2A004	ABSORBER UNIT, L. FR. SHOCK	£309.29	1
6	PFKL666426	51688S2A004	RUBBER, SHOCK ABSORBER MOUNTING	£65.26	4
7	PFKL666609	51689S2A004	BASE, SHOCK ABSORBER MOUNTING (A.S.I. SHOWA)	£33.76	2
8	PFKL666647	51728SB0004	PLATE, DUST COVER	£6.77	2
9	PFKL666677	52441S2A902	RUBBER, SPRING MOUNTING (SHOWA)	£38.53	2
10	PFKL666723	52610S2AA07	COVER, DUST	£23.11	2
11	PFKL666756	52611S2AA07	END, DUST COVER	£24.47	2
12	PFKL666785	52612S2AA07	PLATE, BUMP STOP	£10.46	2
13	PFKL666882	52620S2AA07	RUBBER, FR. BUMP STOPPER	£30.57	2
14	PFKL666950	52676S2A014	COLLAR, SHOCK ABSORBER MOUNTING (SHOWA)	£8.89	2
15	PFKL681451	52722S2A004	RUBBER, SPRING SEAT (SHOWA)	£17.15	2
16	PFKL987621	52748SM4014	BOLT, FLANGE, 12X85	£12.18	2
17	PFKL989617	90174S2A000	NUT, FLANGE, 10MM (OHASHI)	£7.78	4
18	PFKL990867	90304S10024	NUT, SELF-LOCK, 10MM (SHOWA)	£5.99	2



S2A7-B2900A

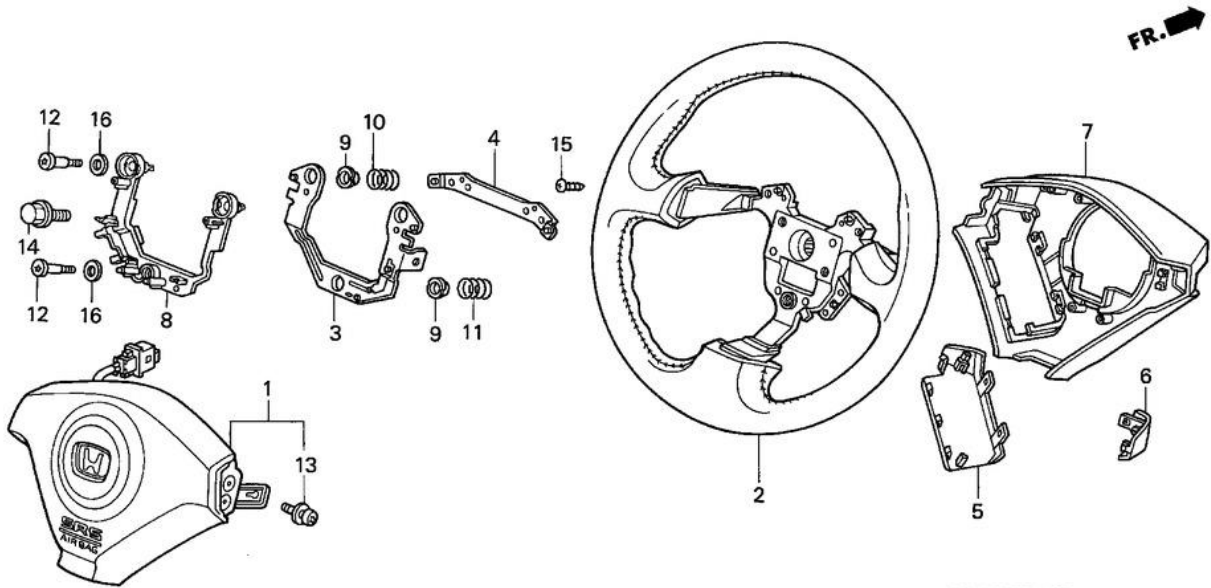
Ref	Part No	Honda Part No	Description	Price (Each)	Req Qty
1	PFKL649558	51225S84A01	BOOT, LOWER BALL DUST	£12.01	2
2	PFKL650086	51308SZ3010	BRACKET, STABILIZER	£13.14	2
3	PFKL669943	52210S2A010	KNUCKLE COMP., R. RR.	£424.11	1
4	PFKL670060	52215S2A010	KNUCKLE COMP., L. RR.	£424.11	1
5	PFKL670130	52226SL0003	CIRCLIP, LOWER BALL (MUSASHI)	£9.02	2
6	PFKL670318	52300S2AJ02	SPRING, RR. STABILIZER	£255.99	1
7	PFKL670556	52315S2A023	BUSH, STABILIZER HOLDER	£10.67	2
8	PFKL670652	52320S2A003	LINK COMP., RR. STABILIZER	£63.57	2
9	PFKL670690	52338SL0003	CIRCLIP, CONTROL ARM	£7.60	2
10	PFKL670696	52340S2A003	ARM COMP., R. RR. CONTROL	£144.51	1
11	PFKL670739	52345S2A003	ARM COMP., L. RR. CONTROL	£144.51	1
12	PFKL670896	52350S2A000	ARM COMP., R. RR. LOWER	£510.55	1
13	PFKL671151	52360S2AG00	ARM COMP., L. RR. LOWER	£510.55	1
14	PFKL671175	52362S30003	BOOT, TIE ROD END (MUSASHI)	£15.98	2
15	PFKL672303	52388SZ3000	PLATE, CAM	£7.74	4
16	PFKL672416	52390S2AJ02	ARM COMP., R. RR. UPPER	£457.88	1
17	PFKL673916	52400S2AJ02	ARM COMP., L. RR. UPPER	£457.88	1
18	PFKL677352	52454S84A01	BOOT, UPPER DUST	£17.44	2
19	PFKL704721	57470S2A013	SENSOR ASSY., R. RR.	£257.64	1
20	PFKL704863	57475S2A013	SENSOR ASSY., L. RR.	£257.64	1
21	PFKL974285	90002S10000	NUT, FLANGE, 10MM	£2.11	2
22	PFKL987560	90172SP0000	BOLT B, SHOCK ABSORBER BRACKET	£13.85	4
23	PFKL987566	90172S2A000	BOLT, FLANGE, 12X125	£13.84	2
24	PFKL987595	90173S2A000	BOLT B, RR. LOWER ARM ADJUST	£15.87	2
25	PFKL987696	90176S2A010	BOLT, RR. CONTROL ARM ADJUST	£26.36	2
25	PFKL987696	90176S2A010	BOLT, RR. CONTROL ARM ADJUST	£26.36	2
26	PFKL988666	90212SA5003	NUT, SELF-LOCK, 10MM	£1.96	2

27	PFKL990847	90362S2A000	NUT, SELF-LOCK (12MM)	£6.75	4
28	PFKL990853	90363SF1000	NUT, CASTLE, 12MM	£6.64	2
29	PFKL990858	90363SZ3003	NUT, UPPER ARM, 12MM	£6.00	4
30	PFKL1000211	90701SX0003	CLIP, UPPER ARM	£5.71	4
31	PFKL1017267	934021002008	BOLT-WASHER, 10X20	£2.14	4
32	PFKL1028277	957010601608	BOLT, FLANGE, 6X16	£1.92	2
33	PFKL1017311	934030602008	BOLT-WASHER, 6X20	£2.21	4
34	PFKL1021631	9420130220	PIN, SPLIT, 3.0X22	£1.56	2
35	PFKL672454	52393S2A000	BUSH, RR. UPPER ARM	£76.99	4
36	PFKL1017293	934030601208	BOLT-WASHER, 6X12	£2.21	2



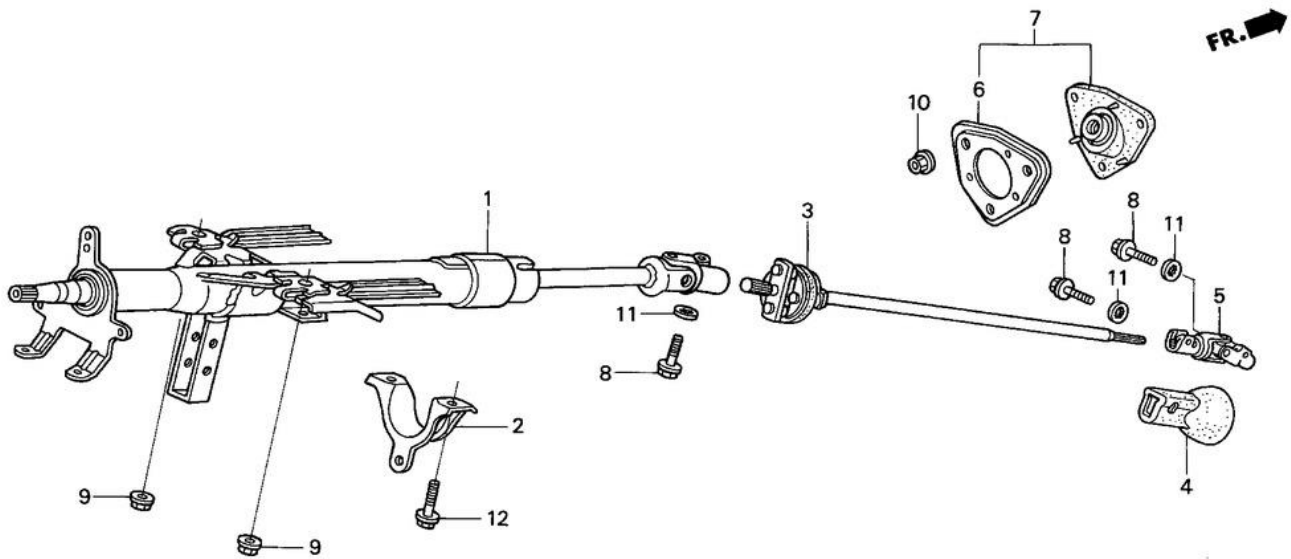
Ref	Part No	Honda Part No	Description	Price (Each)	Req Qty
1	PFKL666426	51631S2A004	RUBBER, SHOCK ABSORBER MOUNTING	£65.26	4
2	PFKL666609	51675SR0004	BASE, SHOCK ABSORBER MOUNTING (A.S.I. SHOWA)	£33.76	2
3	PFKL666647	51685S2A004	PLATE, DUST COVER	£6.77	2
4	PFKL666677	51686SR3003	RUBBER, SPRING MOUNTING (SHOWA)	£38.53	2
5	PFKL666723	51687S2A004	COVER, DUST	£23.11	2
6	PFKL666756	51688S2A004	END, DUST COVER	£24.47	2
7	PFKL666785	51689S2A004	PLATE, BUMP STOP	£10.46	2
8	PFKL666950	51728SB0004	COLLAR, SHOCK ABSORBER MOUNTING (SHOWA)	£8.89	2
9	PFKL677064	52441S2A902	SPRING, RR. (SHOWA)	£0.00	2
10	PFKL679514	52610S2AA07	ABSORBER ASSY., R. RR. SHOCK	£0.00	1
11	PFKL680112	52611S2AA07	ABSORBER UNIT, R. RR. SHOCK	£409.40	1
12	PFKL680339	52612S2AA07	ABSORBER UNIT, L. RR. SHOCK	£409.40	1
13	PFKL680666	52620S2AA07	ABSORBER ASSY., L. RR. SHOCK	£0.00	1
14	PFKL681062	52676S2A014	SEAL, RR. SHOCK ABSORBER MOUNTING	£9.64	2
15	PFKL681364	52722S2A004	RUBBER, RR. BUMP STOPPER	£28.39	2
16	PFKL681451	52748SM4014	RUBBER, SPRING SEAT (SHOWA)	£17.15	2
17	PFKL987621	90174S2A000	BOLT, FLANGE, 12X85	£12.18	2
18	PFKL989622	90304S10024	NUT, FLANGE, 10MM	£4.95	4
18	PFKL989622	90304S10024	NUT, FLANGE, 10MM	£4.95	4
19	PFKL990867	90364SG0004	NUT, SELF-LOCK, 10MM (SHOWA)	£5.99	2

B-31-10 STEERING WHEEL (SRS)



S2A7-B3110B

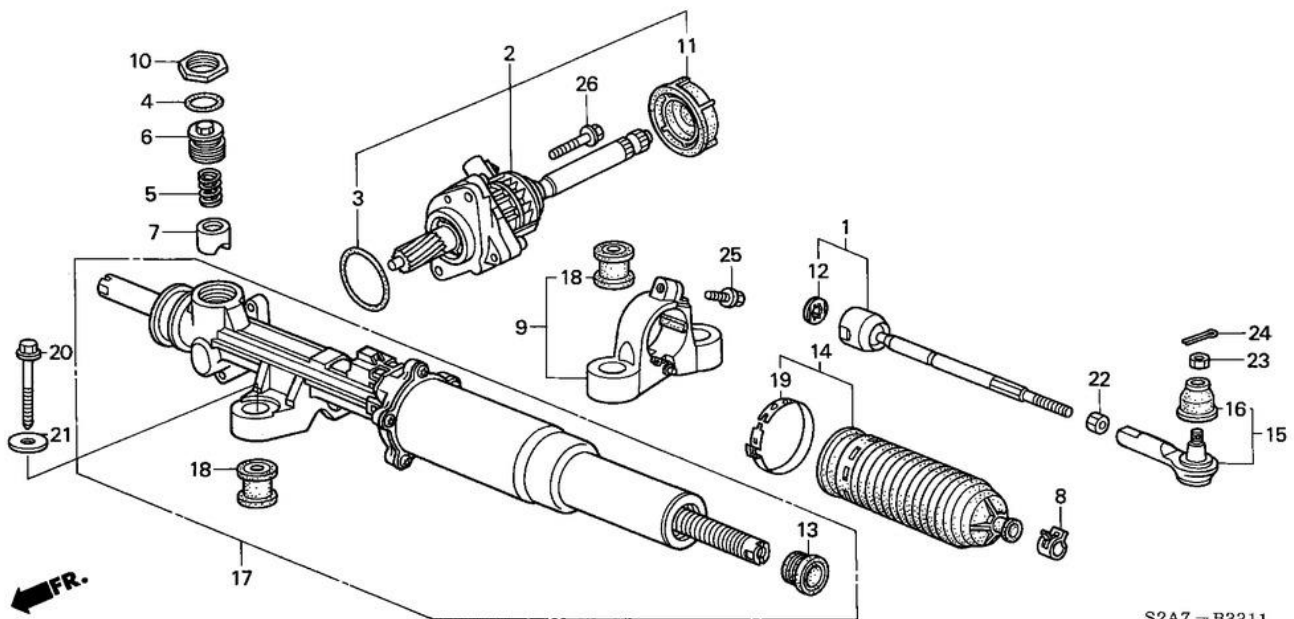
Ref	Part No	Honda Part No	Description	Price (Each)	Req Qty
1	PFKL853820	77810S2AG90ZA	MODULE ASSY., DRIVER *NH167L*	£1,192.03	1
2	PFKL860855	78501S2AA72ZA	GRIP COMP. (LEATHER) *NH167L*	£949.92	1
3	PFKL860931	78502S2AA61	PLATE COMP., HORN	£17.60	1
4	PFKL860939	78503S2AA61	PLATE COMP., CONTACT	£8.20	1
5	PFKL861529	78514S2AA61ZA	CAP A, BODY COVER *NH167L*	£12.46	1
6	PFKL861556	78515S2AA61ZA	CAP B, BODY COVER *NH167L*	£11.16	1
7	PFKL861702	78518S2AA61ZA	COVER, BODY *NH167L*	£19.37	1
8	PFKL861855	78521S2AA62	COVER, HORN PLATE	£18.38	1
9	PFKL861896	78522S23A51	SPACER	£4.59	3
10	PFKL861932	78523S23003	SPRING, COIL	£3.65	2
11	PFKL861933	78523S2AN61	SPRING B, COIL	£3.02	1
12	PFKL861945	78524S3YN81	SCREW, SLIDE	£7.51	3
13	PFKL985576	90134S04A81	BOLT, HEX., 6X12	£3.35	2
14	PFKL987019	90161SV4003	BOLT, STEERING HANDLE	£7.74	1
15	PFKL1020813	9391314420	SCREW, TAPPING, 4X16 (PO)	£1.49	4
16	PFKL861919	78522S3AN81	WASHER	£2.26	3



S2A7-B3200A

Ref	Part No	Honda Part No	Description	Price (Each)	Req Qty
1	PFKL688499	53200S2A013	COLUMN ASSY., STEERING	£540.20	1
2	PFKL690231	53216S2A000	HOLD B, STEERING COLUMN	£0.00	1
3	PFKL692144	53319S2A003	SHAFT COMP., STEERING	£0.00	1
4	PFKL692290	53321SF1950	GUARD, STEERING JOINT	£11.26	1
5	PFKL692331	53323SW5003	JOINT COMP. B, STEERING	£97.73	1
6	PFKL692375	53332S2A000	PLATE COMP., JOINT COVER	£0.00	1
7	PFKL692386	53334S2A000	DUST SEAL COMP., JOINT	£0.00	1
8	PFKL985636	90135SF1000	BOLT, CENTER SHAFT YOKE	£6.55	3
9	PFKL990827	90361SR3000	NUT, FLANGE, 8MM	£6.52	2
10	PFKL990828	90361SV4003	NUT, PAINT CUTTING, 6MM	£6.01	3
11	PFKL995264	90511671003	WASHER, TOOTHED LOCK	£4.32	3
12	PFKL1028477	957010802508	BOLT, FLANGE, 8X25	£2.14	2

B-33-11 P.S. GEAR BOX (RH)

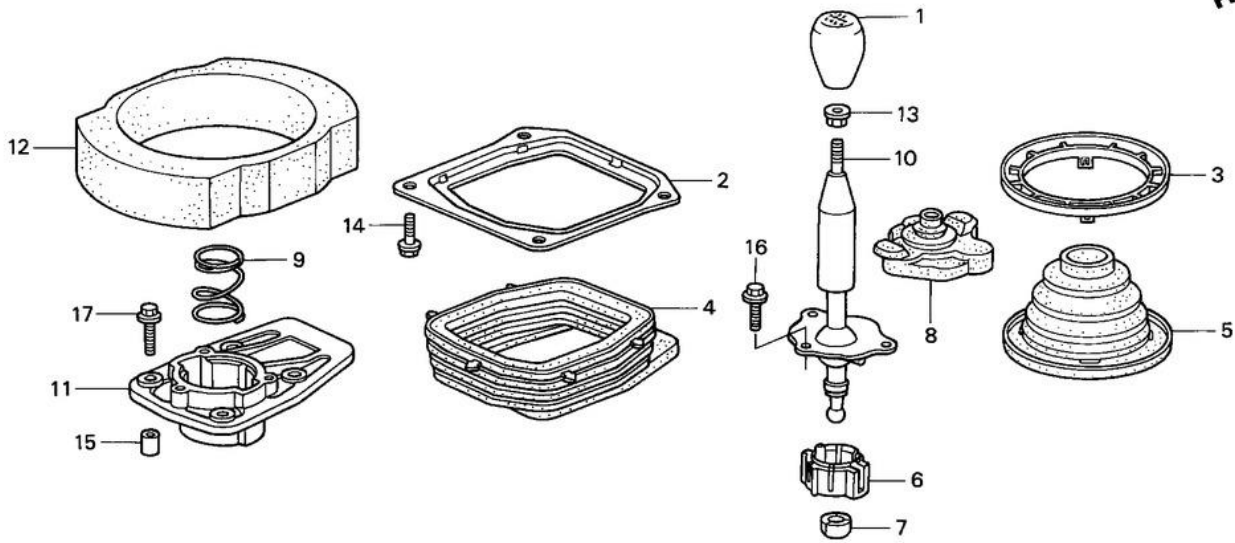


S2A7 - B3311

Ref	Part No	Honda Part No	Description	Price (Each)	Req Qty
1	PFKL681594	53010S2A003	END SET, RACK	£90.92	2
2	PFKL683104	53101S2A023	SENSOR ASSY., TORQUE	£956.46	1
3	PFKL683406	53106S0A003	O-RING, 54.4X3.1	£8.42	1
4	PFKL692573	53412SM4J61	O-RING, RACK GUIDE (NOK)	£6.44	1
5	PFKL692597	53413SP0010	SPRING, RACK GUIDE PRESSURE	£8.41	1
6	PFKL692631	53414SM4J60	SCREW, RACK GUIDE	£23.65	1
7	PFKL692682	53416S2AJ01	GUIDE COMP., STEERING RACK	£34.51	1
8	PFKL692903	53434S84A01	CLIP, STEERING TIE ROD	£6.55	2
9	PFKL693080	53438S2A013	BRACKET COMP.	£0.00	1
10	PFKL693208	53458SM4J60	NUT, RACK SCREW LOCK	£10.13	1
11	PFKL693287	53501S2A003	COVER, PINION DUST	£0.00	1
12	PFKL693582	53536S84A01	WASHER, TIE ROD LOCK	£3.67	2
13	PFKL693612	53537SW5003	RUBBER COMP., STOPPER	£13.47	2
14	PFKL693616	53537S2A003	DUST SEAL A, TIE ROD	£33.33	2
15	PFKL693690	53540S47951	END COMP., TIE ROD	£64.49	2
16	PFKL693736	53546S30005	BOOT, TIE ROD END	£23.65	2
17	PFKL694435	53602S2A013	BOX COMP., STEERING GEAR	£3,211.18	1
18	PFKL695617	53685SDAA01	BUSH, GEAR BOX MOUNTING	£13.46	4
19	PFKL697905	53892S2A003	BAND, BELLOWS	£8.87	2
20	PFKL981600	90108S2A003	BOLT, GEAR BOX MOUNTING (10X107)	£10.75	4
21	PFKL995003	90506S0A020	WASHER, PLAIN, 10MM	£3.17	4
22	PFKL1021017	940011408005	NUT, HEX., 14MM	£2.14	2
23	PFKL1021280	9403012280	NUT, HEX., 12MM	£2.21	2
24	PFKL1021631	9420130220	PIN, SPLIT, 3.0X22	£1.56	2
25	PFKL1028463	957010802008	BOLT, FLANGE, 8X20	£1.92	1
26	PFKL1028477	957010802508	BOLT, FLANGE, 8X25	£2.14	2

B-34 SHIFT LEVER

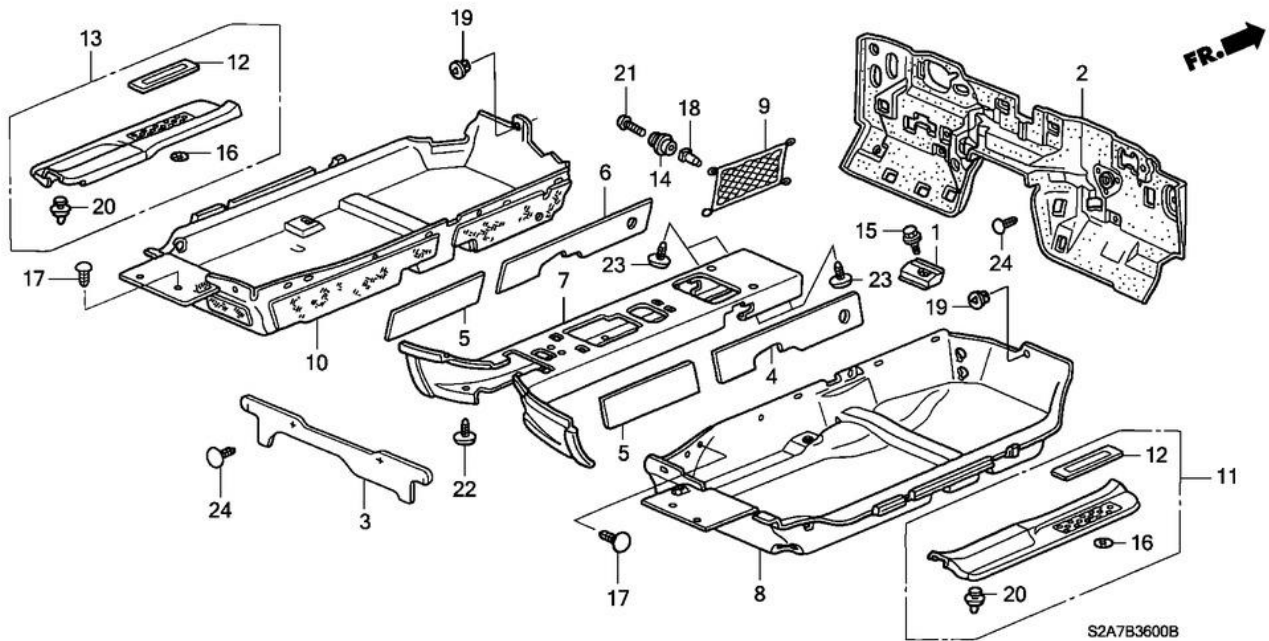
FR. ➔



S2A7 – B3400

Ref	Part No	Honda Part No	Description	Price (Each)	Req Qty
1	PFKL698392	54102S2A040	KNOB COMP., CHANGE LEVER	£250.69	1
2	PFKL698491	54106S2A003	HOLDER A, CHANGE BOOT	£10.13	1
3	PFKL698513	54107S2A003	HOLDER B, CHANGE BOOT	£6.98	1
4	PFKL698535	54108S2A003	BOOT A, CHANGE LEVER	£37.63	1
5	PFKL698548	54109S2A013	BOOT B, CHANGE LEVER	£23.95	1
6	PFKL698587	54110S2A003	SEAT, CHANGE LEVER BALL	£12.97	1
7	PFKL698607	54111S2A003	COVER, PIVOT	£2.99	1
8	PFKL698642	54113S2A003	BOOT C, CHANGE LEVER	£20.31	1
9	PFKL698741	54117S2A003	SPRING, LEVER PUSH	£7.81	1
10	PFKL699374	54201S2A023	LEVER SET, CHANGE	£0.00	1
11	PFKL699515	54205S2A003	HOUSING SET, CHANGE LEVER	£103.76	1
12	PFKL802674	74699S2A000	INSULATOR, CHANGE LEVER	£40.44	1
13	PFKL990266	90310ST7Z00	NUT, CHANGE LEVER FLANGE	£3.55	1
14	PFKL1017303	934030601608	BOLT-WASHER, 6X16	£2.21	4
15	PFKL1021700	9430108140	DOWEL PIN, 8X14	£3.06	2
16	PFKL1028277	957010601608	BOLT, FLANGE, 6X16	£1.92	3
17	PFKL1029063	958010603008	BOLT, FLANGE, 6X30	£2.21	4

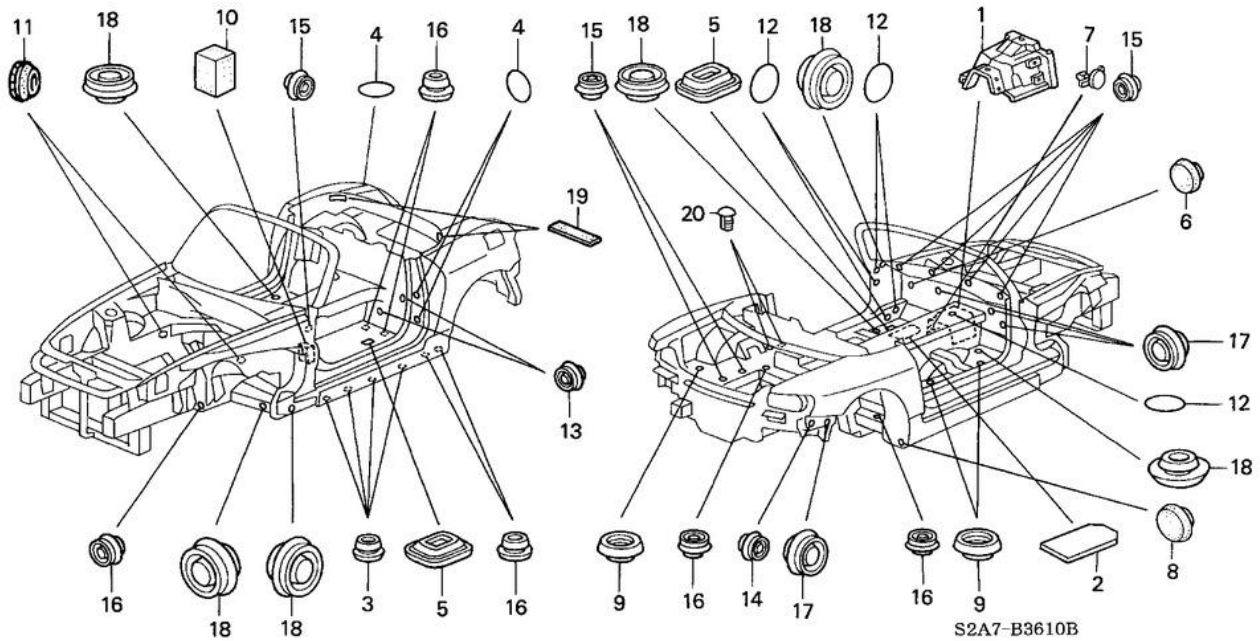
B-36 FLOOR MAT



Ref	Part No	Honda Part No	Description	Price (Each)	Req Qty
1	PFKL800779	74255S2A000	STOPPER, FOOTREST	£0.00	1
2	PFKL800850	74260S2A010	INSULATOR, DASHBOARD	£0.00	1
3	PFKL802047	74535S2A000	INSULATOR, ROLL BAR FRAME	£9.15	1
4	PFKL802392	74621S2A010	INSULATOR, R. TUNNEL SIDE	£0.00	1
5	PFKL802397	74622S2A000	INSULATOR, RR. TUNNEL SIDE	£0.00	2
6	PFKL802626	74671S2A000	INSULATOR, L. TUNNEL SIDE	£0.00	1
7	PFKL911387	83301S2AE52ZB	MAT, CENTER FLOOR *NH167L*	£0.00	1
8	PFKL911668	83302S2AE03ZF	MAT, R. FLOOR *YR344L*	£0.00	1
8	PFKL911666	83302S2AE03ZC	MAT, R. FLOOR *B135L*	£0.00	1
8	PFKL911670	83302S2AE04ZB	MAT, R. FLOOR *R145L*	£494.54	1
8	PFKL911669	83302S2AE04ZA	MAT, R. FLOOR *NH167L*	£468.09	1
9	PFKL911993	83310S2A000ZD	NET, TUNNEL SIDE *YR344L*	£0.00	1
9	PFKL911992	83310S2A000ZC	NET, TUNNEL SIDE *R145L*	£0.00	1
9	PFKL911991	83310S2A000ZB	NET, TUNNEL SIDE *B135L*	£0.00	1
9	PFKL911990	83310S2A000ZA	NET, TUNNEL SIDE *NH167L*	£0.00	1
10	PFKL912148	83352S2AE04ZA	MAT, L. FLOOR *NH167L*	£494.54	1
10	PFKL912149	83352S2AE04ZB	MAT, L. FLOOR *R145L*	£468.05	1
10	PFKL912145	83352S2AE03ZC	MAT, L. FLOOR *B135L*	£0.00	1
10	PFKL912150	83352S2AE04ZF	MAT, L. FLOOR *YR344L*	£0.00	1
11	PFKL940123	84201S2A901ZA	GARNISH, R. SIDE *NH167L*	£327.02	1
12	PFKL940184	84202S2A010ZA	PLATE, FR. SIDE	£0.00	2
13	PFKL940563	84251S2A901ZA	GARNISH, L. SIDE *NH167L*	£327.02	1
14	PFKL941043	84410S2A003ZA	CLIP, TUNNEL SIDE *NH167L*	£4.99	4
14	PFKL941044	84410S2A003ZB	CLIP, TUNNEL SIDE *R145L*	£0.00	4
14	PFKL941045	84410S2A003ZC	CLIP, TUNNEL SIDE *B135L*	£4.99	4
14	PFKL941046	84410S2A003ZE	CLIP, TUNNEL SIDE *YR344L*	£0.00	4
15	PFKL983951	90121SJ6003	BOLT, FLANGE, 6X14	£0.00	1

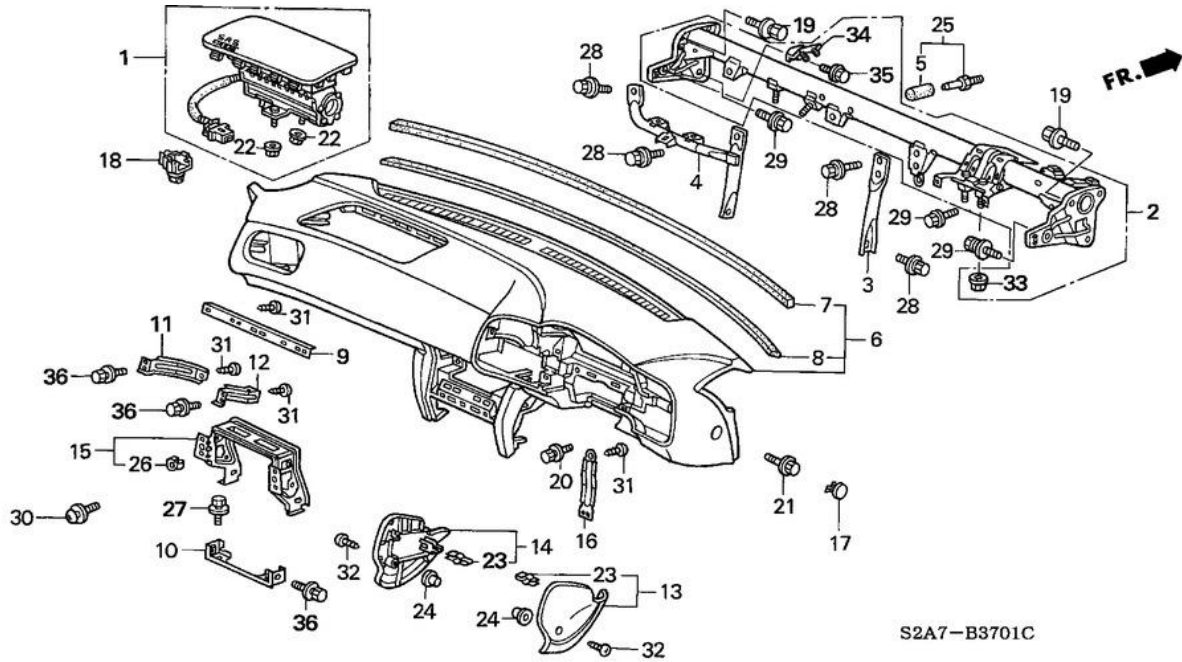
16	PFKL988101	90194SL0000	NUT, PUSH, 2.4MM	£6.01	4
17	PFKL999043	90667S0D003ZQ	CLIP, TRIM, 7MM *B135L*	£3.85	11
17	PFKL999038	90667S0D003ZJ	CLIP, TRIM, 7MM *R145L*	£3.85	11
17	PFKL999037	90667S0D003ZH	CLIP, TRIM, 7MM *NH167L*	£3.85	11
17	PFKL999030	90667S0D003YN	CLIP, TRIM, 7MM *YR344L*	£0.00	11
18	PFKL999345	90672SL0003	GROMMET, SCREW, 4MM	£5.13	4
19	PFKL999469	90676SE0003	CLIP, STEERING COVER	£3.96	4
20	PFKL1013294	91560S04003	CLIP, SIDE GARNISH (NATURAL)	£3.15	6
21	PFKL1020344	9390144680	SCREW, TAPPING, 4X25	£1.49	4
22	PFKL998537	90665SB2003ZQ	CLIP, TRIM, 7MM *NH167L*	£4.18	12
23	PFKL999037	90667S0D003ZH	CLIP, TRIM, 7MM *NH167L*	£3.85	4
23	PFKL998537	90665SB2003ZQ	CLIP, TRIM, 7MM *NH167L*	£4.18	4
24	PFKL999037	90667S0D003ZH	CLIP, TRIM, 7MM *NH167L*	£3.85	5

B-36-10 GROMMET



Ref	Part No	Honda Part No	Description	Price (Each)	Req Qty
1	PFKL802653	74691S2A000	INSULATOR, FR. FLOOR TUNNEL	£68.67	1
2	PFKL802673	74698S2A000	INSULATOR, FR. CHANGE LEVER	£0.00	1
3	PFKL904555	82871671000	GROMMET, DRAIN HOLE, 25MM	£5.99	12
4	PFKL946033	85268SA0000	PROTECTION, TAILGATE, 20MM (CIRCLE)	£6.84	6
5	PFKL1001115	90810SB2660	GROMMET, TIE DOWN, 20X35	£8.14	4
7	PFKL1011725	91501S3A000	CLIP, INSULATOR	£0.00	7
8	PFKL1014145	91603SK7000	GROMMET, WAX HOLE, 25MM	£5.65	2
9	PFKL1014231	91611SM4003	PLUG, FLOOR HOLE, 25MM	£4.52	8
10	PFKL1014303	91616S30000	BLOCK, FR. INSIDE PANEL	£0.00	2
11	PFKL1014324	91618SA5000	GROMMET B, CONTROL WIRE, 16MM	£3.65	4
12	PFKL1014529	91657SP0000	SEAL C, DOOR PANEL HOLE (25MM)	£2.03	9
13	PFKL1027815	9555007000	PLUG, BLIND, 7MM	£2.97	2
14	PFKL1027817	9555010000	PLUG, BLIND, 10MM	£2.97	2
15	PFKL1027825	9555111000	PLUG, BLIND, 11MM	£3.71	8
16	PFKL1027826	9555115000	PLUG, BLIND, 15MM	£5.54	16
17	PFKL1027827	9555120000	PLUG, BLIND, 20MM	£5.54	4
18	PFKL1027828	9555125000	PLUG, BLIND, 25MM	£7.45	14
19	PFKL801142	74308S2A000	SEAL, RR. WINDSHIELD LOWER	£11.56	2

B-37-1 INSTRUMENT PANEL (RH)

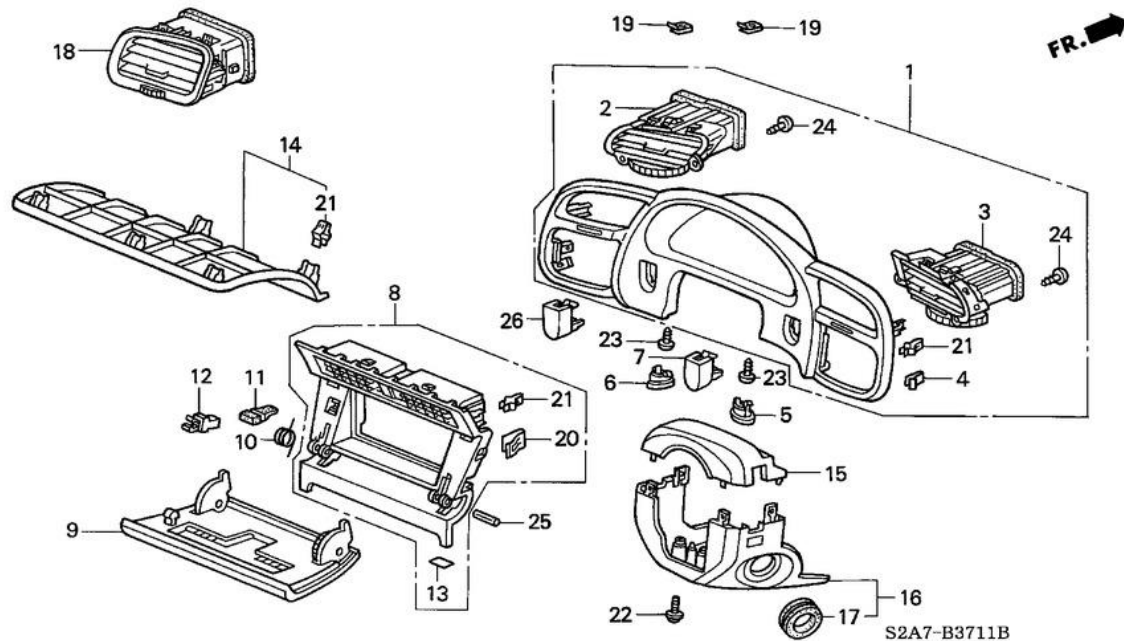


S2A7-B3701C

Ref	Part No	Honda Part No	Description	Price (Each)	Req Qty
1	PFKL233610	06780S2AE81ZA	MODULE KIT, PASSENGER *NH167L*	£1,081.02	1
2	PFKL720501	61310S2AE02ZZ	BEAM COMP., STEERING HANGER	£0.00	1
3	PFKL720880	61312S2A000ZZ	PIPE, CENTER	£0.00	1
4	PFKL721369	61330S2A000ZZ	BEAM COMP., PASSENGER SRS	£0.00	1
5	PFKL755843	66844SA7000	CAP, INSTRUMENT PANEL STAY	£7.65	3
6	PFKL835199	77100S2A013ZA	PANEL ASSY., INSTRUMENT *NH167L*	£0.00	1
7	PFKL836060	77106S2A010	SEAL, INSTRUMENT FR.	£12.73	1
8	PFKL836085	77107S2A000	SEAL, INSTRUMENT DASHBOARD	£8.24	1
9	PFKL836266	77111S2A000	BRACKET, INSTRUMENT PASSENGER	£0.00	1
10	PFKL836303	77113S2A000ZZ	BRACKET, CENTER JOINT	£12.22	1
11	PFKL836345	77115S2A000ZZ	STAY A, INSTRUMENT PASSENGER	£0.00	1
12	PFKL836359	77116S2A000ZZ	STAY B, INSTRUMENT PASSENGER	£0.00	1
13	PFKL836445	77120S2A003ZA	COVER, R. FR. CONSOLE *NH167L*	£14.50	1
14	PFKL836486	77125S2A003ZA	COVER, L. FR. CONSOLE *NH167L*	£14.50	1
15	PFKL836933	77160S2A003ZZ	FRAME COMP., INSTRUMENT CENTER	£52.85	1
16	PFKL839272	77205S30003ZZ	BRACKET, METER	£0.00	2
17	PFKL841356	77218SL5A00ZA	LID, INSTRUMENT PANEL SIDE *NH167L*	£7.08	2
18	PFKL854772	77982S9AN81	HOLDER, COUPLER (2P)	£3.98	1
19	PFKL981980	90110SV4000	BOLT-WASHER, 8X21	£7.74	2
20	PFKL984924	90128SA7000	BOLT-WASHER, 6X25	£7.78	2
21	PFKL988088	90192SL0000	BOLT-WASHER, 6X25	£0.62	2
22	PFKL990524	90321SP0A80	NUT-WASHER, 6MM	£2.32	3
23	PFKL998737	90666S84A01	CLIP, SNAP FITTING	£4.16	4
24	PFKL999684	90681693000	GROMMET, SCREW, 4MM	£3.17	2
25	PFKL1000982	90770S30000	PIN	£7.78	3
26	PFKL1014453	91641SM4003	GROMMET, SCREW, 4MM	£4.95	4
27	PFKL1017386	934040601608	BOLT-WASHER, 6X16	£1.92	2

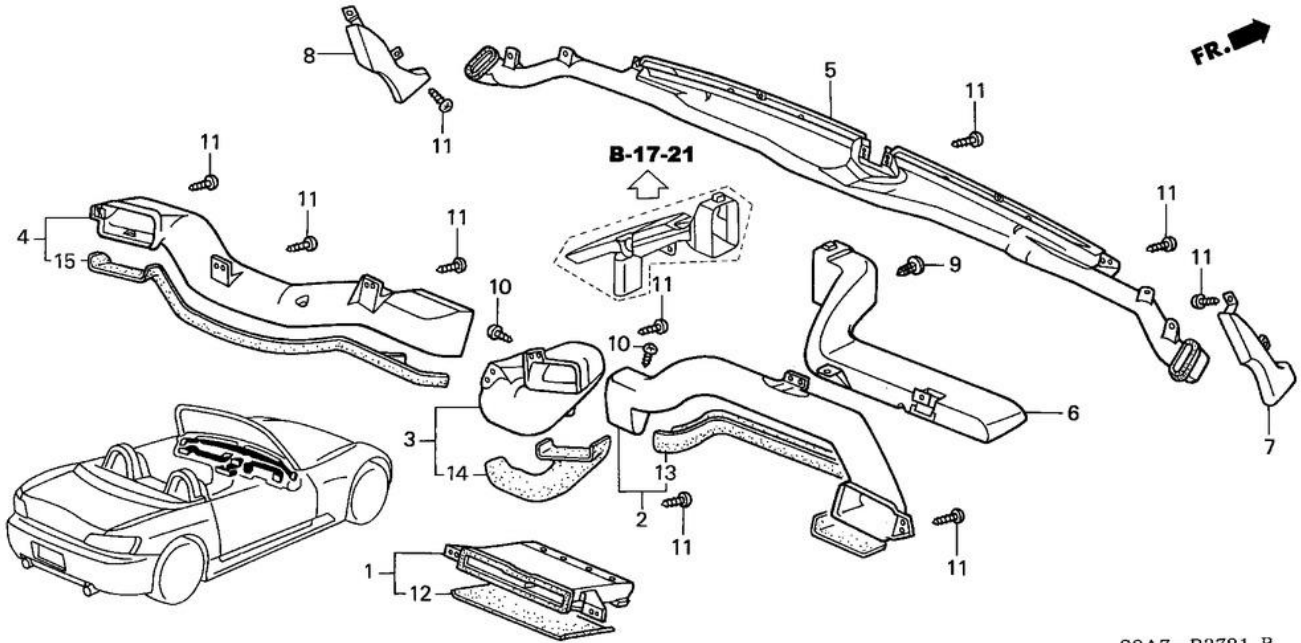
28	PFKL1017504	934050801608	BOLT-WASHER, 8X16	£2.14	6
29	PFKL1017509	934050802008	BOLT-WASHER, 8X20	£3.10	7
30	PFKL1019650	938910601608	SCREW-WASHER, 6X16	£1.37	2
31	PFKL1020813	9391314420	SCREW, TAPPING, 4X16 (PO)	£1.49	10
32	PFKL1020814	9391314480	SCREW, TAPPING, 4X16 (PO)	£1.13	2
33	PFKL990827	90361SR3000	NUT, FLANGE, 8MM	£6.52	1
34	PFKL721408	61354S2A000ZZ	BRACKET COMP., DRIVE BY WIRE DRIVER	£0.00	1
35	PFKL1028254	957010601208	BOLT, FLANGE, 6X12	£1.92	1
36	PFKL980428	90104S2A003	BOLT-WASHER, 6X16	£6.23	4

B-37-11 INSTRUMENT PANEL GARNISH (RH)



Ref	Part No	Honda Part No	Description	Price (Each)	Req Qty
1	PFKL838331	77200S2AJ02ZB	PANEL ASSY., METER *NH167L 1*	£269.99	1
2	PFKL838863	77201S2A003ZC	OUTLET ASSY., L. DRIVER *NH167L 2*	£0.00	1
3	PFKL838988	77202S2A003ZC	OUTLET ASSY., R. DRIVER *NH167L 2*	£0.00	1
4	PFKL839049	77203S2A003	CLIP, METER PANEL	£4.16	2
5	PFKL839097	77204S2A003ZA	LID, R. METER PANEL *NH167L*	£11.95	1
6	PFKL839353	77206S2A003ZA	LID, L. METER PANEL *NH167L*	£11.95	1
7	PFKL839440	77208S2A003ZA	LID, R. SWITCH HOLE *NH167L*	£11.68	1
8	PFKL844010	77251S2A902ZB	PANEL COMP., RADIO *NH167L*	£63.79	1
9	PFKL844184	77252S2A902ZF	LID COMP., RADIO *NH647L*	£53.73	1
10	PFKL844287	77254S2A901	SPRING	£3.11	1
11	PFKL844322	77255S2A003	RUBBER, STOPPER	£4.32	2
12	PFKL844349	77256S2A003	LATCH	£7.94	1
13	PFKL844369	77257S2A003	CUSHION	£0.00	2
14	PFKL846577	77320S2A003ZA	COVER ASSY., PASSENGER INSTRUMENT LOWER *NH167L*	£20.80	1
15	PFKL847151	77350S2A003ZA	COVER, COLUMN UPPER *NH167L*	£26.71	1
16	PFKL847525	77360S2AG01ZA	COVER ASSY., COLUMN LOWER *NH167L*	£39.16	1
17	PFKL847666	77371SX0A00	RING, COLUMN COVER	£11.75	1
18	PFKL852057	77630S2A003ZB	OUTLET ASSY., PASSENGER *NH167L 1*	£0.00	1
19	PFKL989319	90302SA4003	NUT, SPRING, 4MM	£7.42	2
20	PFKL998722	90666SM4003	CLIP, SNAP FITTING	£3.78	2
21	PFKL998737	90666S84A01	CLIP, SNAP FITTING	£4.16	15
22	PFKL1019568	938910501208	SCREW-WASHER, 5X12	£1.56	3
23	PFKL1020806	9391314280	SCREW, TAPPING, 4X12 (PO)	£1.49	2
24	PFKL1020840	9391324120	SCREW, TAPPING, 4X10	£1.49	4
25	PFKL1021810	9430530162	PIN, SPRING, 3X16	£2.14	2

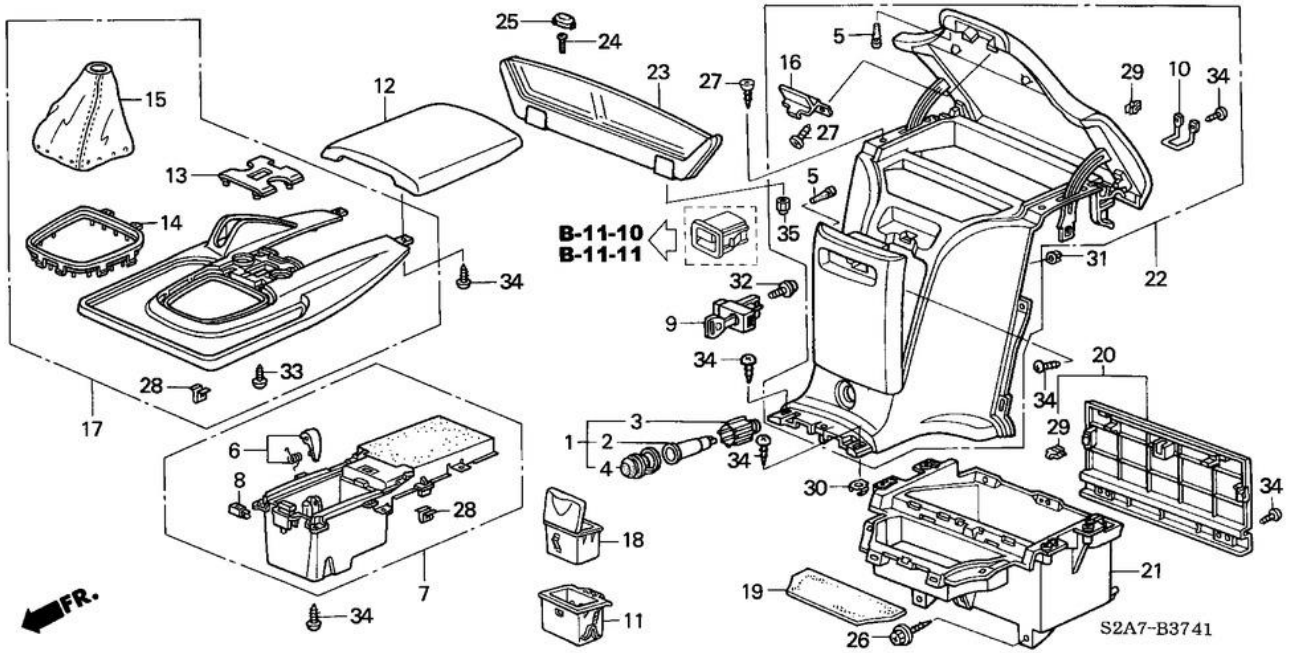
B-37-21 DUCT (RH)



S2A7-B3721 B

Ref	Part No	Honda Part No	Description	Price (Each)	Req Qty
1	PFKL847827	77410S2A013	DUCT ASSY., CENTER AIR CONDITIONER	£0.00	1
2	PFKL847940	77420S2A013	DUCT, DRIVER OUTSIDE	£0.00	1
3	PFKL848070	77425S2A013	DUCT, DRIVER INSIDE	£0.00	1
4	PFKL848197	77430S2A013	DUCT, PASSENGER AIR CONDITIONER	£0.00	1
5	PFKL848785	77460S2A003	DUCT, FR. DEFROSTER	£0.00	1
6	PFKL866163	79891S2A003	OUTLET, HEATER DRIVER	£42.90	1
7	PFKL937322	84104S2A000	DUCT, R. SIDE DEFROSTER	£0.00	1
8	PFKL939094	84154S2A000	DUCT, L. SIDE DEFROSTER	£0.00	1
9	PFKL998053	90654SA5003	CLIP, JOINT COVER	£3.82	1
10	PFKL1020800	9391314120	SCREW, TAPPING, 4X10	£1.49	4
11	PFKL1020813	9391314420	SCREW, TAPPING, 4X16 (PO)	£1.49	0
12	PFKL847844	77412S2A003	SEAL B	£0.00	1
13	PFKL848053	77421S2A003	SEAL	£0.00	1
14	PFKL848073	77426S2A003	SEAL	£0.00	1
15	PFKL848356	77431S2A003	SEAL	£0.00	1

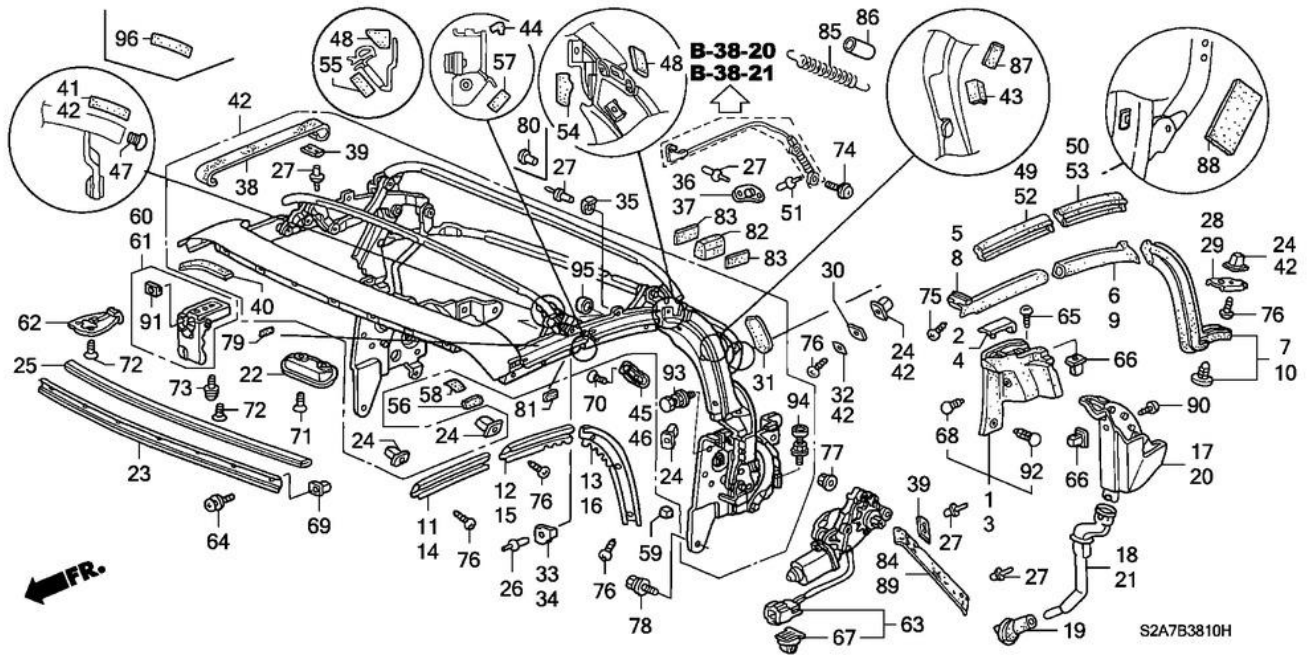
B-37-41 CONSOLE ('04-)



Ref	Part No	Honda Part No	Description	Price (Each)	Req Qty
1	PFKL570649	39600S10A01	SOCKET ASSY., ACCESSORY	£57.76	1
2	PFKL570888	39620S01A01	SOCKET, ACCESSORY	£46.96	1
3	PFKL570920	39621S01A01	COVER, SOCKET	£13.00	1
4	PFKL570931	39623S10A01	CAP, SOCKET	£10.91	1
5	PFKL754692	66418SA5000	STOPPER, GLOVE BOX LID	£4.93	4
6	PFKL2030634	77231S2AA52ZA	SEPARATOR SET *NH167L*	£13.58	1
7	PFKL2030635	77232S2AA52ZC	CUP HOLDER SET *NH167L 2*	£308.02	1
8	PFKL843408	77236S2AA51	LATCH	£9.02	1
9	PFKL850188	77540S2A901ZA	LOCK ASSY., RR. CONSOLE *NH167L*	£58.18	1
10	PFKL850262	77542S2A003	STRIKER, RR. CONSOLE	£0.00	1
11	PFKL853072	77720S2A000ZA	CASE COMP., ASHTRAY *NH167L*	£58.35	1
12	PFKL912518	83402S2AJ63ZA	ARMREST, CENTER CONSOLE (LEATHER) *NH167L*	£280.23	1
13	PFKL912635	83403S2AE51ZD	PANEL, CENTER CONSOLE SWITCH *NH646L*	£0.00	1
14	PFKL913270	83413S2AJ51ZA	GARNISH, CHANGE LEVER BOOT *NH167L*	£28.54	1
15	PFKL913341	83414S2AJ51ZA	BOOT, CHANGE LEVER *NH167L*	£0.00	1
16	PFKL913383	83415S30003	KNOB, ARMREST	£0.00	1
17	PFKL913503	83420S2AE51ZC	CONSOLE SET, CENTER *NH167L 2*	£636.32	1
18	PFKL914702	83480S3N003ZH	ASHTRAY ASSY., L. RR. DOOR LINING *NH167L*	£47.89	1
19	PFKL942795	84554S2A000	MAT, UPPER RR. CONSOLE	£10.46	1
20	PFKL942810	84556S2A003ZA	BOARD ASSY., RR. CONSOLE BACK *NH167L*	£36.62	1
21	PFKL942814	84560S2A003ZA	BOX, RR. CONSOLE *NH167L*	£108.79	1
22	PFKL942859	84570S2AA01ZA	CONSOLE SET, RR. *NH167L*	£269.38	1
23	PFKL942912	84580S2AA00ZA	SCREEN ASSY., AERO *NH167L*	£704.55	1
24	PFKL942915	84581S2AA00	BOLT, TRUSS 5X20	£7.32	2
25	PFKL942918	84582S2AA00ZA	CAP, TAPPING SCREW *NH167L*	£8.70	2
26	PFKL985579	90134S30003	SCREW, EARTH, 5X18	£3.87	4
27	PFKL986077	90144SP0000	SCREW, TAPPING, 4X16 (PO)	£4.05	6

28	PFKL997317	90610SR3003	CLIP, GARNISH (KATO)	£3.15	6
29	PFKL998737	90666S84A01	CLIP, SNAP FITTING	£4.16	5
30	PFKL1014444	91640SM4003	GROMMET, SCREW, 4MM	£4.95	2
31	PFKL1014453	91641SM4003	GROMMET, SCREW, 4MM	£4.95	1
32	PFKL1019525	938910401207	SCREW-WASHER, 4X12	£1.56	1
33	PFKL1020806	9391314280	SCREW, TAPPING, 4X12 (PO)	£1.49	4
34	PFKL1020814	9391314480	SCREW, TAPPING, 4X16 (PO)	£1.13	0
35	PFKL1021173	94021050700S	NUT, CAP, 5MM	£1.56	2

B-38-10 SOFT TOP FRAME

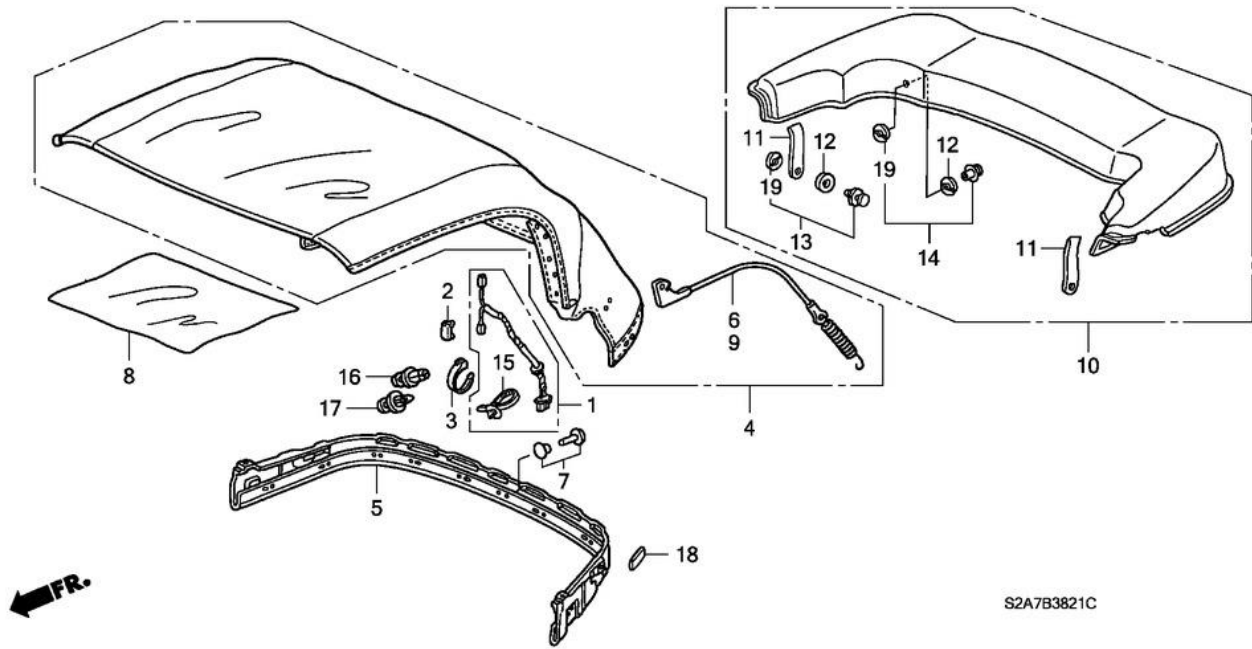


Ref	Part No	Honda Part No	Description	Price (Each)	Req Qty
1	PFKL783781	72311S2A003	WEATHERSTRIP, R. CENTER PILLAR OUTER	£109.61	1
2	PFKL783797	72313S2A003	CAP, R. WEATHERSTRIP CENTER PILLAR OUTER	£6.89	1
3	PFKL784575	72351S2A003	WEATHERSTRIP, L. CENTER PILLAR OUTER	£102.69	1
4	PFKL784584	72353S2A003	CAP, L. WEATHERSTRIP CENTER PILLAR OUTER	£6.89	1
5	PFKL785135	72381S2A013	WEATHERSTRIP, R. ROOF SIDE DOOR	£54.31	1
6	PFKL785144	72382S2A013	WEATHERSTRIP, R. ROOF CORNER DOOR	£67.84	1
7	PFKL785149	72383S2A013	WEATHERSTRIP, R. CENTER PILLAR	£88.74	1
8	PFKL785177	72391S2A013	WEATHERSTRIP, L. ROOF SIDE DOOR	£54.31	1
9	PFKL785180	72392S2A013	WEATHERSTRIP, L. ROOF CORNER DOOR	£67.84	1
10	PFKL785183	72393S2A013	WEATHERSTRIP, L. CENTER PILLAR	£88.74	1
11	PFKL785427	72421S2A013	RETAINER, R. ROOF	£52.71	1
12	PFKL785431	72422S2A013	RETAINER, R. ROOF CORNER	£52.71	1
13	PFKL785434	72423S2A013	RETAINER, R. CENTER PILLAR	£57.98	1
14	PFKL785774	72461S2A013	RETAINER, L. ROOF	£50.68	1
15	PFKL785795	72462S2A013	RETAINER, L. ROOF CORNER	£50.68	1
16	PFKL785800	72463S2A013	RETAINER, L. CENTER PILLAR	£55.76	1
17	PFKL804438	74867S2A013	TANK ASSY., R. DRAIN	£91.45	1
18	PFKL804443	74868S2A003	PIPE, R. DRAIN LOWER	£0.00	1
19	PFKL804445	74869S2A000	PLUG, DRAIN	£7.34	2
20	PFKL804628	74877S2A013	TANK ASSY., L. DRAIN	£91.45	1
21	PFKL804629	74878S2A003	PIPE, L. DRAIN LOWER	£0.00	1
22	PFKL947156	86001S2A003	HANDLE, SOFT TOP	£14.95	1
23	PFKL947157	86002S2A003	PLATE, HOLDER SOFT TOP	£16.07	1
24	PFKL947158	86003S2A003	SCREW, GROMMET, 4MM	£3.87	20
25	PFKL947159	86004S2A003	TRIM, SOFT TOP	£13.72	1
26	PFKL947160	86005S2A003	RIVET	£3.44	2
27	PFKL947161	86006S2A003	RIVET	£3.44	14

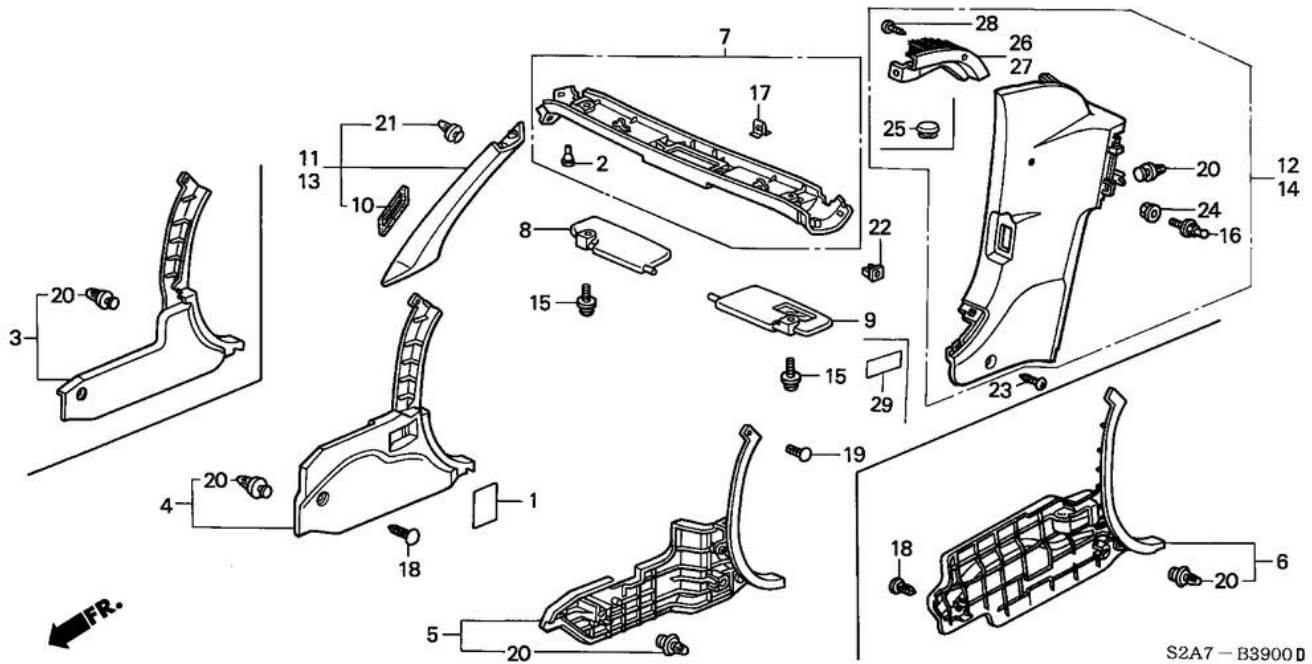
28	PFLK947162	86007S2A003	PLATE A, R. SET	£2.47	1
29	PFLK947163	86008S2A003	PLATE A, L. SET	£2.47	1
30	PFLK947164	86009S2A003	PLATE B, SET	£4.23	2
31	PFLK947165	86010S2A003	SILENCER	£0.00	2
32	PFLK947167	86011S2A013	TAPE, SEAL	£3.60	2
33	PFLK947168	86012S2A003	STOPPER C, R. LINK	£5.33	1
34	PFLK947169	86013S2A003	STOPPER C, L. LINK	£5.33	1
35	PFLK947171	86014S2A013	STOPPER B, LINK	£6.37	2
36	PFLK947173	86015S2A033	GUIDE, R. CABLE	£0.00	1
37	PFLK947175	86016S2A033	GUIDE, L. CABLE	£0.00	1
38	PFLK947179	86020S2AJ01	BAND	£20.07	2
39	PFLK947181	86021S2A003	BAND SET, PLATE	£4.28	4
40	PFLK947183	86022S2A003	TAPE	£4.23	2
41	PFLK947184	86023S2A003	TRIM, COVER	£3.55	2
42	PFLK947185	86024S2AJ01	FRAME COMP.	£2,188.81	1
43	PFLK947188	86025S2AJ02	TAPE, PROTECTION	£12.12	2
44	PFLK947190	86026S2A003	TAPE A, SEAL	£3.60	2
45	PFLK947191	86027S2A003	COVER, R. FR. BOW	£0.00	1
46	PFLK947192	86028S2A003	COVER, L. FR. BOW	£0.00	1
47	PFLK947193	86029S2A003	CAP, END	£7.43	2
48	PFLK947194	86030S2A003	TAPE B, SEAL	£3.60	4
49	PFLK947196	86031S2A013	PROTECTOR, R. SOFT TOP ROOF A	£33.24	1
50	PFLK947198	86032S2A013	PROTECTOR, R. SOFT TOP ROOF B	£54.03	1
51	PFLK947199	86033S2A003	RIVET	£3.44	4
52	PFLK947201	86036S2A013	PROTECTOR, L. SOFT TOP ROOF A	£33.24	1
53	PFLK947203	86037S2A013	PROTECTOR, L. SOFT TOP ROOF B	£54.03	1
54	PFLK947204	86040S2A003	SEAL, TAPE (C)	£8.24	2
55	PFLK947205	86041S2A003	SEAL, TAPE (D)	£8.24	2
56	PFLK947206	86042S2A003	SEAL, TAPE (E)	£8.24	2
57	PFLK947207	86043S2A003	SEAL, TAPE (F)	£8.24	2
58	PFLK947208	86044S2A003	SEAL, TAPE (G)	£8.24	2
60	PFLK947334	86250S2AJ01	LOCK ASSY., R. HANDLE	£208.07	1
61	PFLK947338	86260S2AJ01	LOCK ASSY., L. HANDLE	£208.07	1
62	PFLK947345	86270S2A902	STRIKER ASSY., HARD TOP	£49.29	0
62	PFLK947341	86270S2AJ01	STRIKER, SOFT TOP	£49.29	2
63	PFLK947401	86400S2A003	MOTOR, SOFT TOP	£387.55	2
64	PFLK982834	90114S2A000	SCREW, TAPPING, 4X12(BLACK)	£3.35	7
65	PFLK985755	90137SD2003	SCREW, TAPPING, 4X12 (SUS)	£6.03	2
66	PFLK1011828	91503SK7013	GROMMET, SCREW (4MM)	£4.73	4
67	PFLK1012516	91533S04003	CLIP, COUPLER (NATURAL)	£2.70	2
68	PFLK1013511	91567SR2013	CLIP	£3.46	2
69	PFLK1014175	91605S2A003	GROMMET, SCREW (M4)	£3.35	9
70	PFLK1018970	93600040080G	SCREW, FLAT, 4X8	£1.49	2
71	PFLK1019075	93600060120G	SCREW, FLAT, 6X12	£1.56	2
72	PFLK1019091	93600060160G	SCREW, FLAT, 6X16	£1.56	6
73	PFLK985284	90131S0XA00	SCREW, TRUSS, 6X16	£3.37	2

74	PFKL1020085	938940601007	SCREW-WASHER, 6X10	£1.42	2
75	PFKL1020629	93903443G0	SCREW, TAPPING, 4X12	£2.14	2
76	PFKL1020630	93903443J0	SCREW, TAPPING, 4X12	£2.14	20
77	PFKL1021317	9405006000	NUT, FLANGE, 6MM	£2.38	6
78	PFKL1017186	934010801608	BOLT-WASHER, 8X16	£1.91	10
79	PFKL947210	86047S2A003	TAPE, PROTECTION	£12.12	2
80	PFKL947211	86048S2A003	RIVET	£3.44	2
81	PFKL947212	86049S2A003	TAPE (BUTYL)	£3.55	2
82	PFKL947402	86445S2A000	RUBBER, SOFT TOP LINK SPACER	£13.43	0
84	PFKL947213	86050S2AJ01	BAND A, R.	£20.07	1
85	PFKL947214	86051S2AJ01	SPRING A	£14.73	2
86	PFKL947215	86052S2AJ01	COVER, SPRING	£11.69	2
87	PFKL947218	86054S2AJ02	TAPE C, PROTECTION	£7.90	2
88	PFKL947219	86055S2AJ01	TAPE D, PROTECTION	£7.90	2
89	PFKL947220	86056S2AJ01	BAND A, L.	£20.07	1
90	PFKL985755	90137SD2003	SCREW, TAPPING, 4X12 (SUS)	£6.03	2
91	PFKL947337	86251S2A901	RUBBER	£4.57	2
92	PFKL1013517	91567S2A003	CLIP B	£3.10	2
93	PFKL947222	86105S2A003	STOPPER ASSY., LINK	£0.00	2
94	PFKL947223	86106S2A003	STOPPER ASSY., LINK	£21.90	2
95	PFKL947224	86107S2A003	CAP, STOPPER	£0.00	2

B-38-21 SOFT TOP CLOTH ('02-)



Ref	Part No	Honda Part No	Description	Price (Each)	Req Qty
1	PFKL482620	32119S2A000	SUB CORD, RR. DEFROSTER	£74.50	1
2	PFKL792902	73223S2AJ01	COVER, RR. WINDSHIELD HARNESS HOLDER	£5.83	1
3	PFKL947216	86053S2AJ01	BAND	£8.55	1
4	PFKL947356	86310S2AJ03	CLOTH ASSY., TOP (GLASS) (BLACK)	£1,860.28	1
4	PFKL947359	86310S2AN03	CLOTH ASSY., TOP (GLASS) (BLUE)	£1,860.28	0
5	PFKL947369	86314S2A003	RAIN RAIL, SOFT TOP	£234.79	1
6	PFKL947375	86319S2AJ01	WIRE, R. TENSION	£29.94	1
7	PFKL947377	86320S2A003	RIVET (SERVICE)	£6.76	0
8	PFKL947379	86321S2A003	CLOTH, TOP (300X300)(BLACK) (SERVICE)	£39.86	0
8	PFKL2796832	86321S2AN02	CLOTH, TOP (300X300)(BLUE) (SERVICE)	£0.00	0
9	PFKL947381	86329S2AJ01	WIRE, L. TENSION	£29.94	1
10	PFKL947395	86380S2A902	COVER, SOFT TOP	£777.61	1
11	PFKL947398	86381S2A901	STRAP	£0.00	2
12	PFKL947400	86385S2A000	WASHER, SLIDING	£3.02	4
13	PFKL990463	90316S2A000	HOOK, FEMALE (COVER)	£26.84	2
14	PFKL990475	90318S2A000	HOOK, FEMALE LONG	£42.52	2
15	PFKL1012610	91541S0A003	CLIP, HARNESS BAND (BLACK) (145MM)	£3.38	1
16	PFKL1012639	91545SE0003	CLIP ASSY., 8MM	£6.46	2
17	PFKL1012282	91517SJ8003	PIN, CLIP, 8.5MM	£3.83	2
18	PFKL947221	86056S2A000	TAPE, SEAL (J)	£4.14	2
19	PFKL947399	86383S2A901	WASHER	£0.00	4

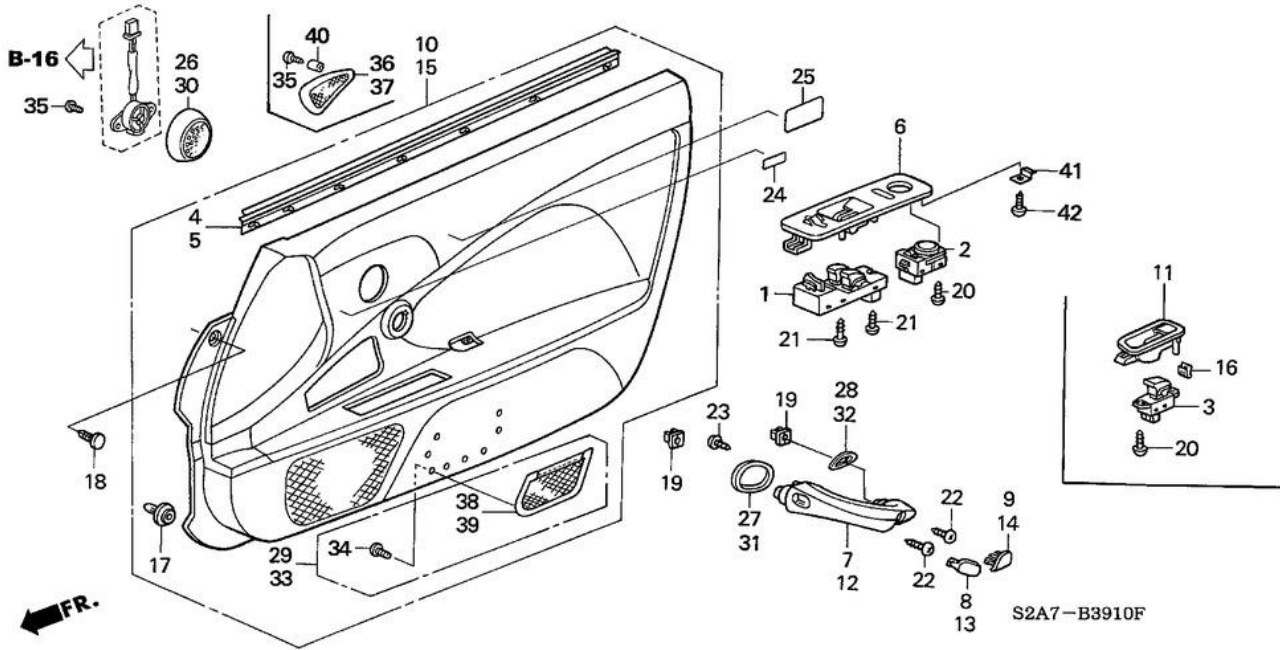


S2A7 - B3900 D

Ref	Part No	Honda Part No	Description	Price (Each)	Req Qty
1	PFKL557543	38205S2AJ00	LABEL, FUSE	£7.46	1
2	PFKL754700	66418579000	STOPPER, GLOVE BOX LID	£6.70	2
4	PFKL905396	83113S2AJ00ZA	LINING, R. COWL SIDE *NH167L*	£0.00	1
5	PFKL906068	83161S2AE00ZA	LINING, L. COWL SIDE *NH167L*	£0.00	1
7	PFKL907341	83205S2A000ZA	GARNISH ASSY., FR. ROOF RAIL *NH167L*	£117.04	1
8	PFKL908506	83230S2AE00ZA	SUNVISOR ASSY., R. *NH167L*	£109.15	1
9	PFKL910269	83280S2AE00ZA	SUNVISOR ASSY., L. (MIRROR) *NH167L*	£144.33	1
10	PFKL937279	84102S2A000	SEAL A	£9.25	2
11	PFKL937304	84103S2A000ZA	GARNISH SET, R. FR. PILLAR *NH167L*	£68.88	1
12	PFKL938708	84141S2A010ZA	GARNISH, R. RR. SIDE *NH167L*	£106.39	1
13	PFKL939090	84153S2A000ZA	GARNISH SET, L. FR. PILLAR *NH167L*	£68.88	1
14	PFKL939908	84191S2AJ00ZA	GARNISH, L. RR. SIDE *NH167L*	£106.39	0
14	PFKL939912	84191S2A010ZA	GARNISH, L. RR. SIDE *NH167L*	£0.00	1
15	PFKL985406	90132S2A000	SCREW-WASHER, 5X20	£4.75	2
16	PFKL990472	90317S2A003	HOOK, MALE	£12.51	2
17	PFKL997320	90610SX0003	CLIP, GARNISH	£3.92	2
18	PFKL999037	90667S0D003ZH	CLIP, TRIM, 7MM *NH167L*	£3.85	1
19	PFKL1011877	91504SD5901	CLIP, WASHER MOUTH	£2.86	2
20	PFKL1013292	91560SZ3003	CLIP, DOOR LINING (NATURAL)	£4.36	5
21	PFKL1013306	91560S84A11	CLIP, PILLAR GARNISH (BLACK)	£4.88	4
22	PFKL1014453	91641SM4003	GROMMET, SCREW, 4MM	£4.95	2
23	PFKL1020814	9391314480	SCREW, TAPPING, 4X16 (PO)	£1.13	2
24	PFKL1021317	9405006000	NUT, FLANGE, 6MM	£2.38	2
25	PFKL907270	83201SS0000ZB	CAP, SUNROOF MAINTENANCE *NH167L*	£4.00	1
26	PFKL938735	84142S2A000	BRUSH COMP., R.	£51.21	1
27	PFKL939935	84192S2A000	BRUSH COMP., L.	£51.21	1
28	PFKL1020806	9391314280	SCREW, TAPPING, 4X12 (PO)	£1.49	4

29	PFKL761214	69313S2AG00	LABEL, HARD TOP INFORMATION	£12.08	0
----	----------------------------	-------------	-----------------------------	--------	---

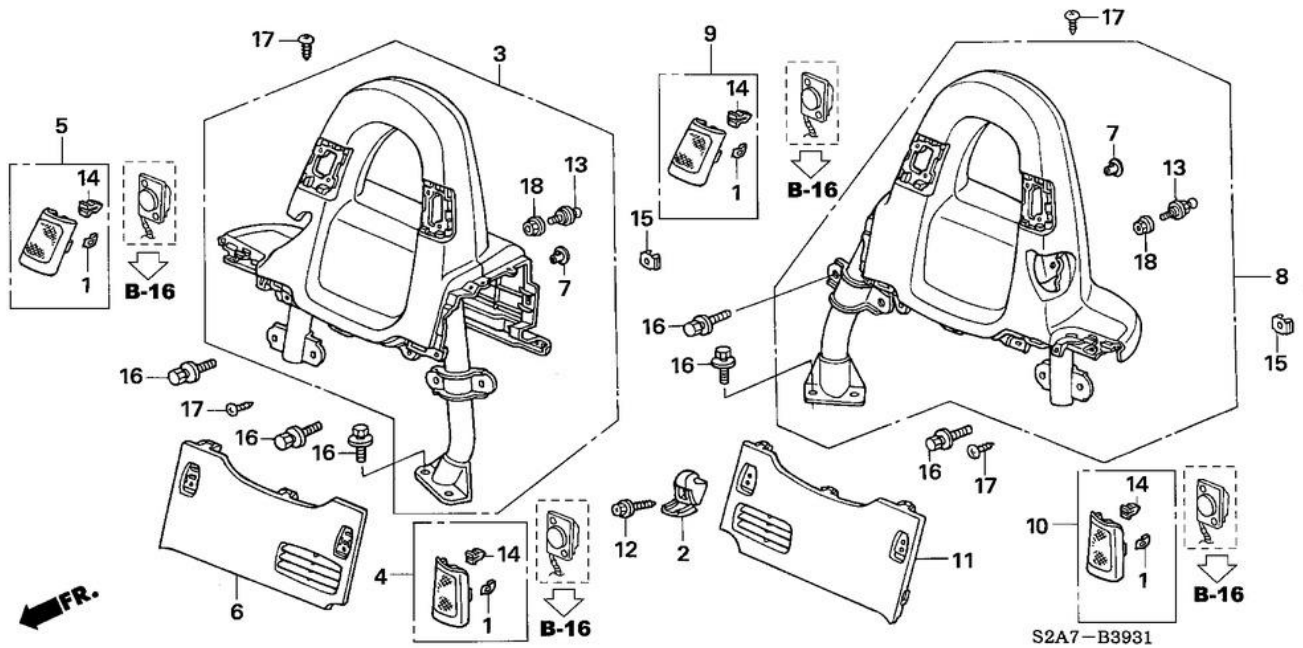
B-39-10 DOOR LINING



Ref	Part No	Honda Part No	Description	Price (Each)	Req Qty
1	PFKL534461	35750S2AJ02	SWITCH ASSY., POWER WINDOW MASTER	£276.36	1
2	PFKL534629	35753SR2003	SWITCH COMP., REMOTE CONTROL MIRROR	£179.20	1
3	PFKL534968	35760S2A003	SUB SWITCH ASSY., POWER WINDOW	£130.22	1
4	PFKL784347	72335S2A003	WEATHERSTRIP, R. DOOR INNER	£23.76	1
5	PFKL785045	72375S2A003	WEATHERSTRIP, L. DOOR INNER	£23.76	1
6	PFKL918372	83511S2A003ZC	PANEL, POWER WINDOW MASTER *R145L*	£0.00	1
6	PFKL918370	83511S2A003ZA	PANEL, POWER WINDOW MASTER *NH167L*	£0.00	1
7	PFKL919068	83520S2A003ZA	GRIP, R. DOOR LINING *NH167L*	£47.66	1
8	PFKL919107	83521S2A003ZA	CAP A, R. GRIP *NH167L*	£4.32	1
9	PFKL919119	83522S2A003ZA	CAP B, R. GRIP *NH167L*	£4.32	1
10	PFKL919342	83530S2AJ63ZF	LINING COMP., R. FR. DOOR (LEATHER) *R153L*	£579.47	1
10	PFKL919341	83530S2AJ63ZB	LINING COMP., R. FR. DOOR (LEATHER) *NH167L*	£579.47	1
11	PFKL923123	83561S2A003ZC	PANEL, L. POWER WINDOW SUB SWITCH *R145L*	£0.00	1
11	PFKL923121	83561S2A003ZA	PANEL, L. POWER WINDOW SUB SWITCH *NH167L*	£0.00	1
12	PFKL923363	83570S2A003ZA	GRIP, L. DOOR LINING *NH167L*	£47.66	1
13	PFKL923400	83571S2A003ZA	CAP A, L. GRIP *NH167L*	£4.32	1
14	PFKL923410	83572S2A003ZA	CAP B, L. GRIP *NH167L*	£4.32	1
15	PFKL923509	83580S2AJ63ZB	LINING COMP., L. FR. DOOR (LEATHER) *NH167L*	£579.47	1
15	PFKL923510	83580S2AJ63ZF	LINING COMP., L. FR. DOOR (LEATHER) *R153L*	£0.00	1
16	PFKL999005	90667SL4003	CLIP, SNAP FITTING	£2.88	1
17	PFKL1013305	91560S84A01	CLIP, DOOR LINING (NATURAL)	£4.36	12
18	PFKL1013345	91561SM4013ZA	CLIP, DOOR LINING *NH167L*	£3.96	2
19	PFKL1014372	91626SP0003	GROMMET, SCREW, 5MM	£8.24	4
20	PFKL1020256	9390132220	SCREW, TAPPING, 3X10	£0.98	4
21	PFKL1020262	9390132420	SCREW, TAPPING, 3X16	£1.49	3
22	PFKL1020668	9390345520	SCREW, TAPPING, 5X25	£1.56	4
23	PFKL1020805	9391314220	SCREW, TAPPING, 4X12	£1.49	4

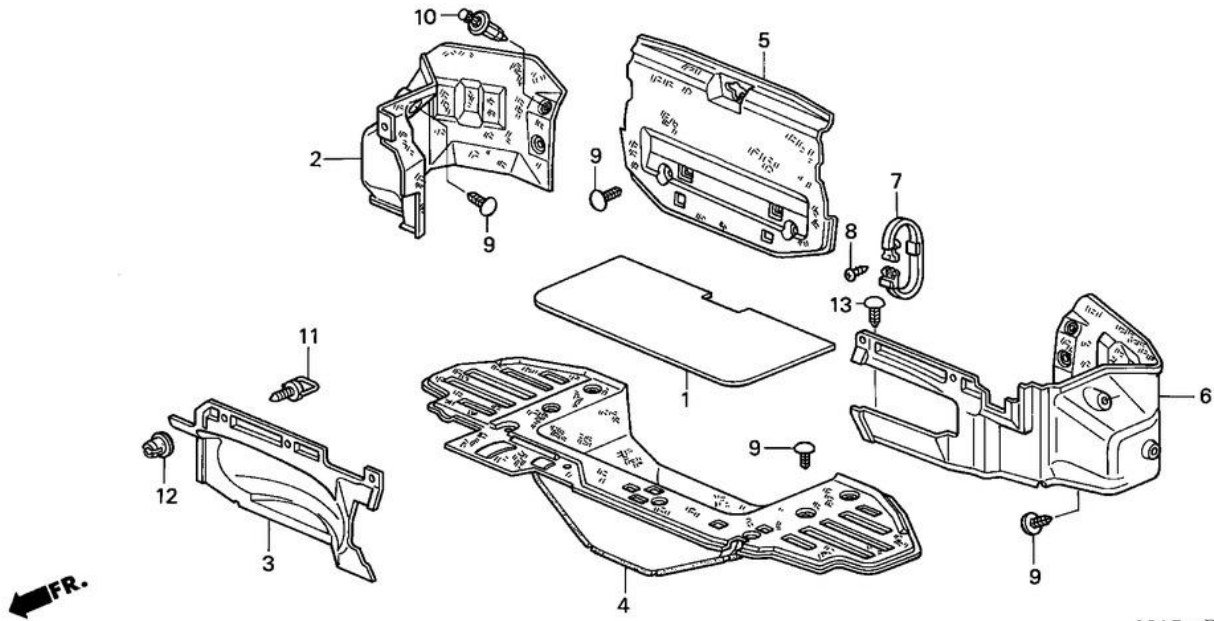
27	PFL916992	83502S2A003ZB	RING, R. UPPER *NH472L*	£36.67	1
28	PFL917244	83503S2A003ZD	RING, R. LOWER *NH472L*	£0.00	1
31	PFL922517	83552S2A003ZB	RING, L. UPPER *NH472L*	£36.67	1
32	PFL922705	83553S2A003ZD	RING, L. LOWER *NH472L*	£0.00	1
34	PFL985390	90132SS0000	SCREW, TAPPING, 4X10 (PO)	£5.44	0
35	PFL1020800	9391314120	SCREW, TAPPING, 4X10	£1.49	4
36	PFL916723	83501S2AJ51ZA	GRILLE, R. TWEETER *NH167L*	£70.65	1
37	PFL922360	83551S2AJ51ZB	GRILLE, L. TWEETER *NH167L*	£66.25	1
38	PFL920108	83540S2AJ51ZB	NET COMP., R. FR. DOOR SIDE *NH167L*	£141.38	1
39	PFL924124	83590S2AJ51ZB	NET COMP., L. FR. DOOR SIDE *NH167L*	£132.50	1
40	PFL917457	83504S2AJ51	COLLAR	£0.00	4
41	PFL918585	83515S2A003	BRACKET, DRIVER GARNISH	£0.00	1
42	PFL1020607	9390342180	SCREW, TAPPING, 3X8	£0.00	1

B-39-31 ROLL BAR GARNISH ('06-)



Ref	Part No	Honda Part No	Description	Price (Each)	Req Qty
1	PFKL839270	77205S0XA01	CLIP, SNAP FITTING	£2.93	8
2	PFKL913678	83425S2A000ZA	HANGER, CONSOLE *NH167L*	£10.05	4
3	PFKL942230	84515S2AA51ZA	GARNISH COMP., R. ROLL BAR UPPER *NH167L*	£391.22	1
4	PFKL942243	84516S2AA51ZA	LID, R. ROLL BAR SPEAKER INNER *NH167L*	£18.29	1
5	PFKL942247	84517S2AA51ZA	LID, R. ROLL BAR SPEAKER OUTER *NH167L*	£18.29	1
6	PFKL942624	84525S2A000ZA	GARNISH ASSY., R. ROLL BAR LOWER *NH167L*	£40.26	1
7	PFKL942758	84535S2A000ZB	CAP, GARNISH *NH167L*	£3.11	2
8	PFKL942826	84565S2AA51ZA	GARNISH COMP., L. ROLL BAR UPPER *NH167L*	£391.22	1
9	PFKL942831	84566S2AA51ZA	LID, L. ROLL BAR SPEAKER INNER *NH167L*	£13.62	1
10	PFKL942833	84567S2AA51ZA	LID, L. ROLL BAR SPEAKER OUTER *NH167L*	£13.62	1
11	PFKL942895	84575S2A000ZA	GARNISH ASSY., L. ROLL BAR LOWER *NH167L*	£40.26	1
12	PFKL985722	90136S0A003	SCREW, ET, 5X28	£3.87	4
13	PFKL990472	90317S2A003	HOOK, MALE	£12.51	2
14	PFKL998678	90666SDAA01	CLIP, SNAP FITTING (PO) (NATURAL)	£5.90	8
15	PFKL1014453	91641SM4003	GROMMET, SCREW, 4MM	£4.95	6
16	PFKL1017438	934040802008	BOLT-WASHER, 8X20	£1.91	16
17	PFKL1020814	9391314480	SCREW, TAPPING, 4X16 (PO)	£1.13	8
18	PFKL1021317	9405006000	NUT, FLANGE, 6MM	£2.38	2

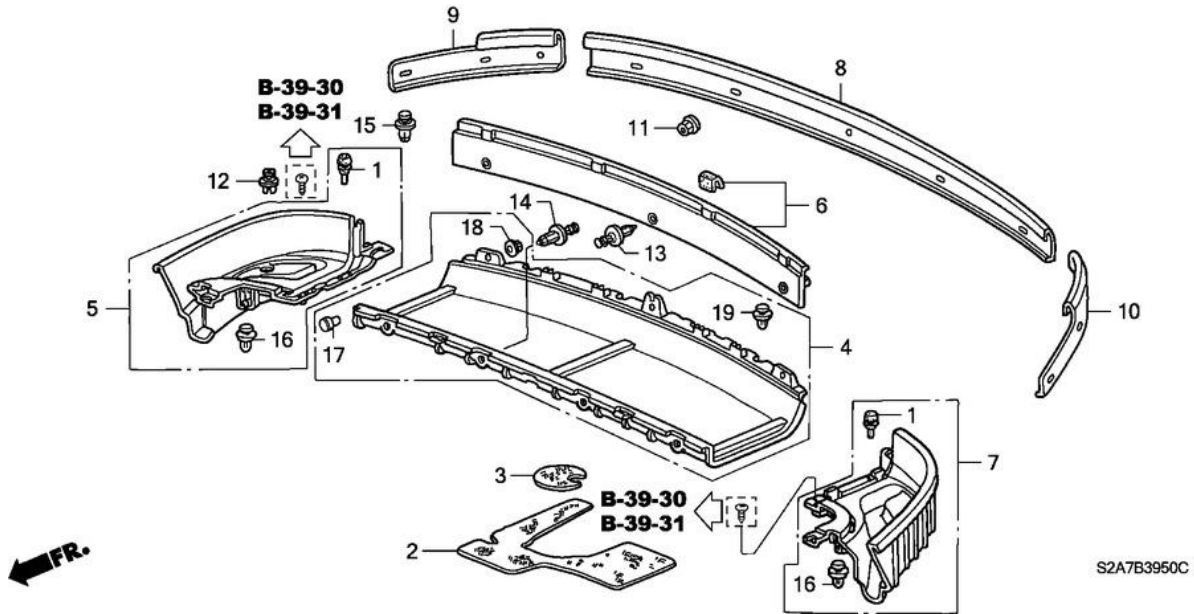
B-39-40 TRUNK LINING



S2A7 - B3940A

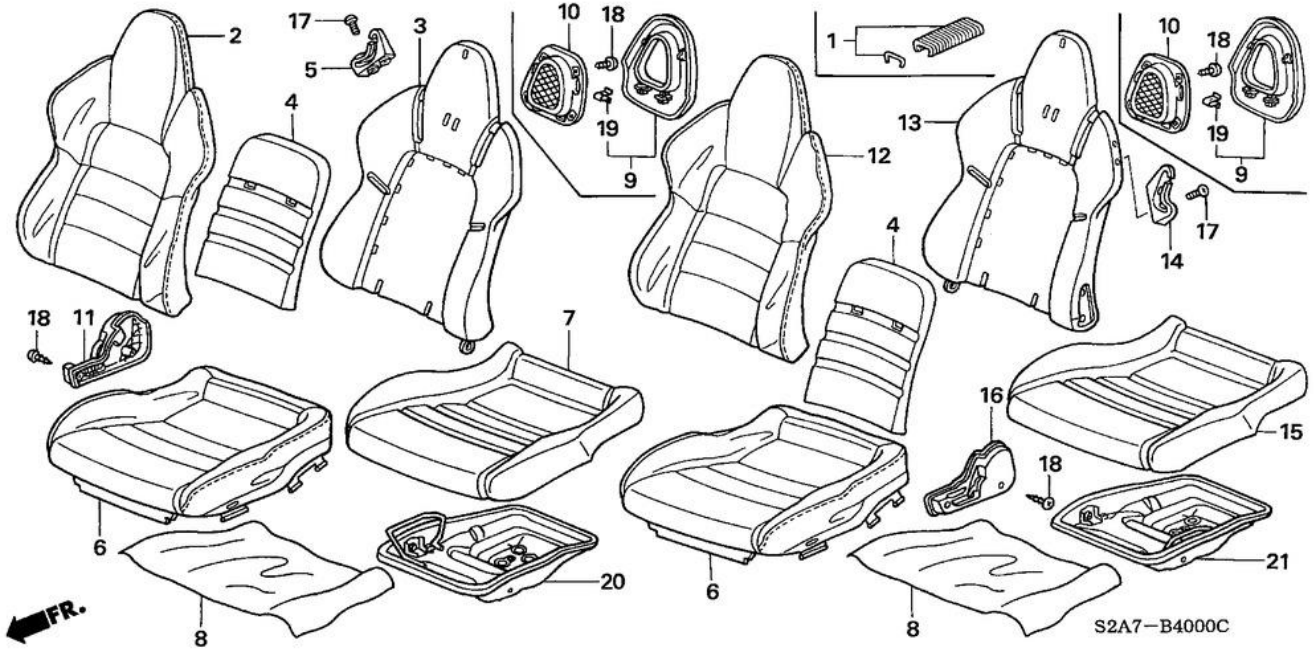
Ref	Part No	Honda Part No	Description	Price (Each)	Req Qty
1	PFKL942489	84521S2A003ZA	LID, TOOL BOX *NH85L*	£90.64	1
2	PFKL943112	84601S2A003ZA	LINING, R. TRUNK SIDE *NH85L*	£142.81	1
3	PFKL943315	84611S2A003ZA	LINING, SPARE TIRE COVER *NH85L*	£97.94	1
4	PFKL943543	84621S2A003ZA	LINING, TRUNK FLOOR *NH85L*	£253.86	1
5	PFKL943966	84640S2AE01ZB	LINING, RR. PANEL *NH85L*	£79.48	1
6	PFKL944305	84651S2A003ZA	LINING, L. TRUNK SIDE *NH85L*	£142.81	1
7	PFKL944375	84657S30000	BELT COMP., LASHING	£37.46	2
8	PFKL984695	90126SR4000	SCREW-WASHER, 5X16	£7.79	2
9	PFKL999294	90671S0D003ZK	CLIP, ROOF, 7MM *NH167L*	£3.20	17
10	PFKL1011950	91505ST7003ZA	CLIP, COWL TOP *NH167L*	£4.68	4
11	PFKL1012796	91550S10013	CLIP, RING PULL	£4.99	3
12	PFKL1012844	91551S10003	GROMMET, RING	£3.53	3
13	PFKL999037	90667S0D003ZH	CLIP, TRIM, 7MM *NH167L*	£3.85	1

B-39-50 REAR TRAY



Ref	Part No	Honda Part No	Description	Price (Each)	Req Qty
1	PFKL754702	66418688000	STOPPER, GLOVE BOX LID	£3.51	4
2	PFKL802414	74627S2A000	INSULATOR, FUEL HOUSING	£17.32	1
3	PFKL802415	74628S2A000	INSULATOR, FUEL MAINTENANCE LID	£0.00	1
4	PFKL941949	84500S2A010ZA	TRAY ASSY., RR. *NH167L*	£191.89	1
5	PFKL942017	84501S2A000ZA	GARNISH ASSY., R. RR. TRAY SIDE *NH167L*	£54.91	1
6	PFKL942046	84502S2A000ZA	GARNISH, RR. TRAY *NH167L*	£0.00	1
7	PFKL942785	84551S2A010ZA	GARNISH ASSY., L. RR. TRAY SIDE *NH167L*	£54.91	1
8	PFKL947366	86312S2AJ01	RETAINER, RR. LOWER SOFT TOP	£0.00	1
9	PFKL947368	86313S2A003	RETAINER, R. SIDE SOFT TOP	£0.00	1
10	PFKL947373	86318S2A003	RETAINER, L. SIDE SOFT TOP	£0.00	1
11	PFKL989126	90301SV7000	NUT, PAINT CUTTING, 6MM	£7.16	11
12	PFKL998211	90657SH3013	CLIP, TWO WAY VALVE COVER	£4.91	2
13	PFKL1011950	91505ST7003ZA	CLIP, COWL TOP *NH167L*	£4.68	3
14	PFKL1012639	91545SE0003	CLIP ASSY., 8MM	£6.46	4
15	PFKL1012788	91550SS0003	CLIP, SRS COVER	£4.99	2
16	PFKL1013305	91560S84A01	CLIP, DOOR LINING (NATURAL)	£4.36	2
17	PFKL942117	84505S2A000	STOPPER ASSY., RR. TRAY	£8.91	2
18	PFKL1021328	9405006080	NUT, FLANGE, 6MM	£2.23	2
19	PFKL1013305	91560S84A01	CLIP, DOOR LINING (NATURAL)	£4.36	4

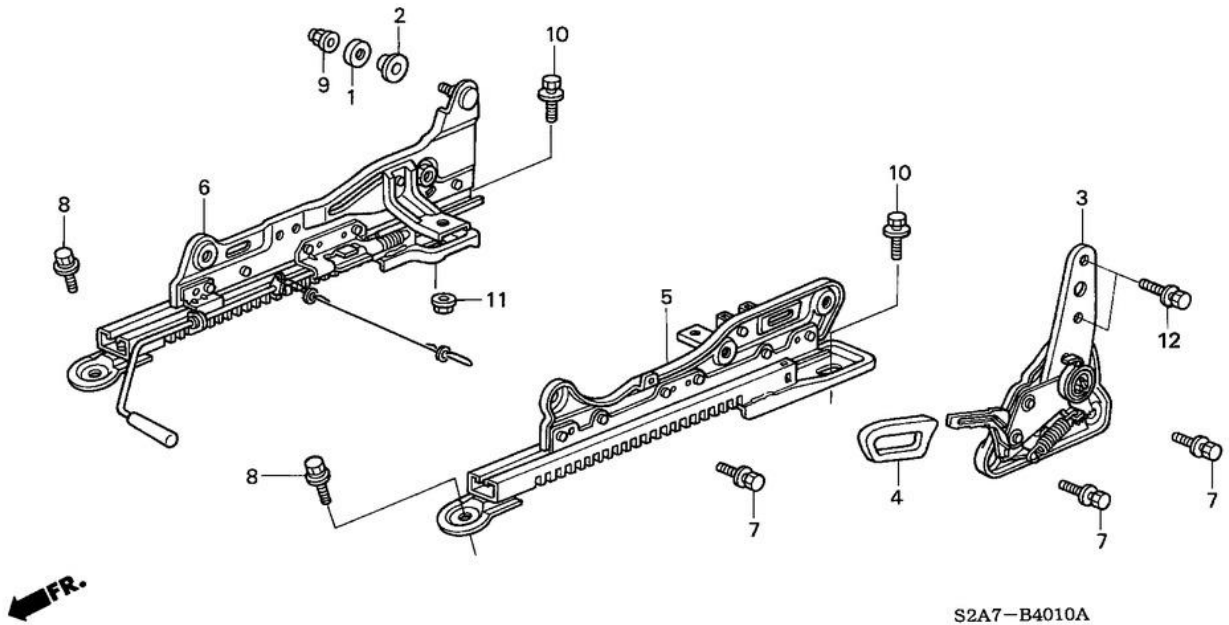
B-40 SEAT



Ref	Part No	Honda Part No	Description
1	PFKL219719	04810SB3000	C CLIP SET, TRIM FASTENER
1	PFKL219719	04810SB3000	C CLIP SET, TRIM FASTENER
2	PFKL881044	81121S2AJ11ZA	COVER, R. FR. SEATBACK TRIM
2	PFKL881045	81121S2AJ11ZB	COVER, R. FR. SEATBACK TRIM
2	PFKL881046	81121S2AJ11ZC	COVER, R. FR. SEATBACK TRIM
2	PFKL881047	81121S2AJ11ZD	COVER, R. FR. SEATBACK TRIM
2	PFKL881048	81121S2AJ11ZE	COVER, R. FR. SEATBACK TRIM (BLACK/RED)
3	PFKL881328	81122S2AJ12	PAD & FRAME COMP., R. FR. SEATBACK
4	PFKL881374	81123S2AJ02	PAD COMP., FR. SEATBACK
5	PFKL881762	81127S2A003ZA	GUIDE, R. SEATBELT *NH16
6	PFKL883056	81131S2AA12ZA	COVER, FR. SEAT CUSHION
6	PFKL883057	81131S2AA12ZC	COVER, FR. SEAT CUSHION
6	https://www.lingshondaparts.com/lings_part_number_search_A10?partdes=		COVER, FR. SEAT CUSHION
6	https://www.lingshondaparts.com/lings_part_number_search_A10?partdes=		COVER, FR. SEAT CUSHION
6	PFKL883058	81131S2AA12ZJ	COVER, FR. SEAT CUSHION (BLACK/RED)
7	PFKL883294	81132S2A013	PAD & FRAME COMP., R. FR. SEATBACK
8	PFKL883545	81137S2A003	CLOTH, WORSTED
11	PFKL887903	81238S2A003ZA	COVER, R. RECLINING *NH16
12	PFKL893177	81521S2AA51ZE	COVER, L. FR. SEATBACK TRIM (BLACK/RED)
12	PFKL893176	81521S2AA51ZD	COVER, L. FR. SEATBACK TRIM
12	PFKL893175	81521S2AA51ZC	COVER, L. FR. SEATBACK TRIM
12	PFKL893174	81521S2AA51ZB	COVER, L. FR. SEATBACK TRIM
12	PFKL893173	81521S2AA51ZA	COVER, L. FR. SEATBACK TRIM
13	PFKL893393	81522S2AJ12	PAD & FRAME COMP., L. FR. SEATBACK
14	PFKL893588	81527S2A003ZA	GUIDE, L. SEATBELT *NH16

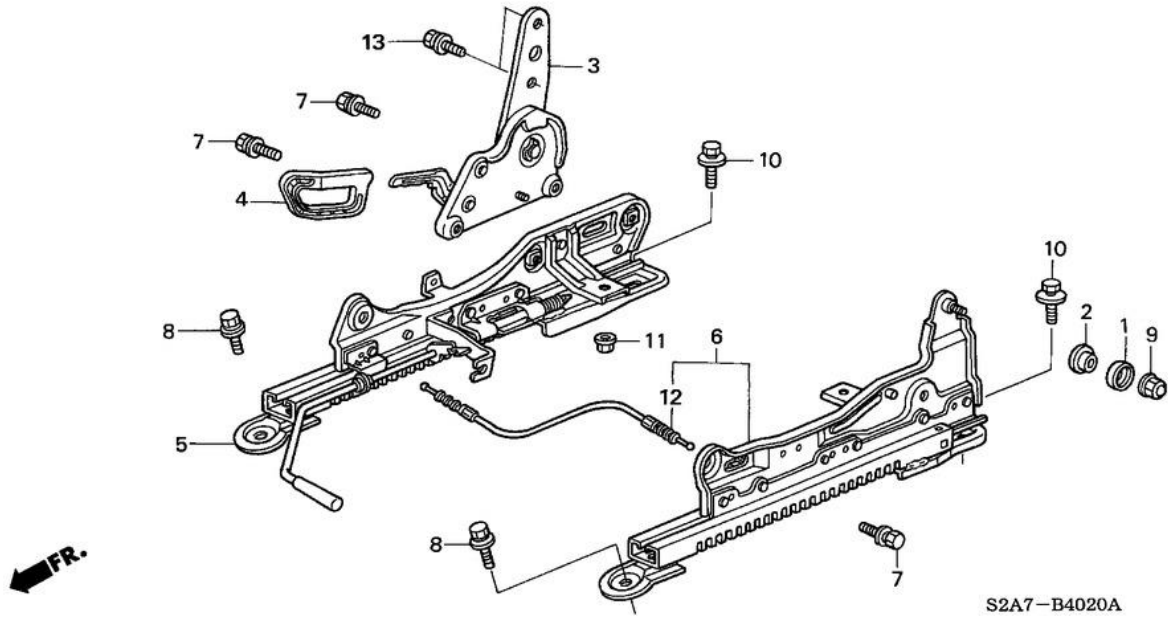
15	PFKL894645	81532S2A013	PAD & FRAME COMP., L. F
16	PFKL895900	81638S2A003ZA	COVER, L. RECLINING *NH
17	PFKL979331	90101SS1000	BOLT, 5X16
18	PFKL985550	90134SE3003	SCREW, TAPPING, 5X10
20	PFKL883490	81136S2A013	FRAME COMP., R. FR. SEAT
21	PFKL894749	81536S2A013	FRAME COMP., L. FR. SEAT

B-40-10 SEAT COMPONENTS (L.)



Ref	Part No	Honda Part No	Description	Price (Each)	Req Qty
1	PFKL839475	77209SB0003	WASHER, NYLON	£4.25	1
2	PFKL880073	81117S47003	BUSH, NYLON (TS TECH)	£6.01	1
3	PFKL895525	81630S2A013	ADJUSTER, L. RECLINING	£0.00	1
4	PFKL895608	81631S2A003ZA	KNOB, L. RECLINING *NH167L*	£10.70	1
5	PFKL896075	81660S2AA02	ADJUSTER, L. OUTER SLIDE	£177.71	1
6	PFKL896179	81670S2AA02	ADJUSTER, L. INNER SLIDE	£0.00	1
7	PFKL986039	90143SR3000	BOLT-WASHER, 10X22	£4.90	4
8	PFKL986679	90155SH3000	BOLT-WASHER, 8X25	£7.78	2
9	PFKL992765	90443KF9900	NUT, FLANGE CAP, 8MM	£4.66	1
10	PFKL1017518	934051002007	BOLT-WASHER, 10X20	£2.38	2
11	PFKL1021366	9407008080	NUT-WASHER, 8MM	£1.92	2
12	PFKL986043	90143SV4003	BOLT-WASHER, 10X22	£7.74	2

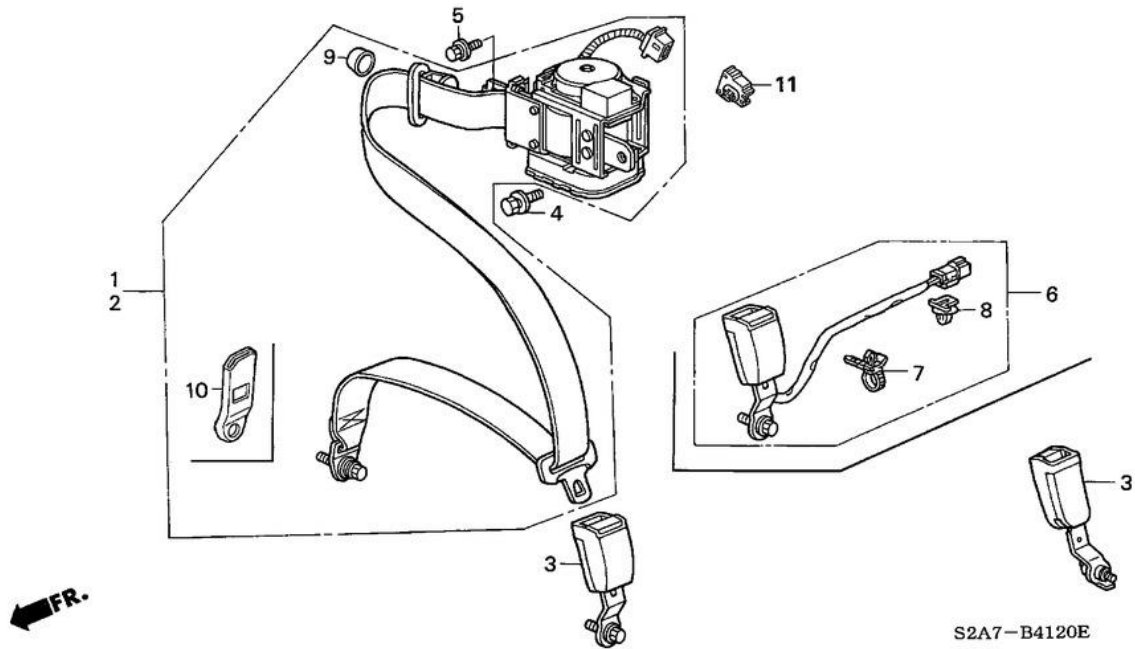
B-40-20 SEAT COMPONENTS (R.)



S2A7-B4020A

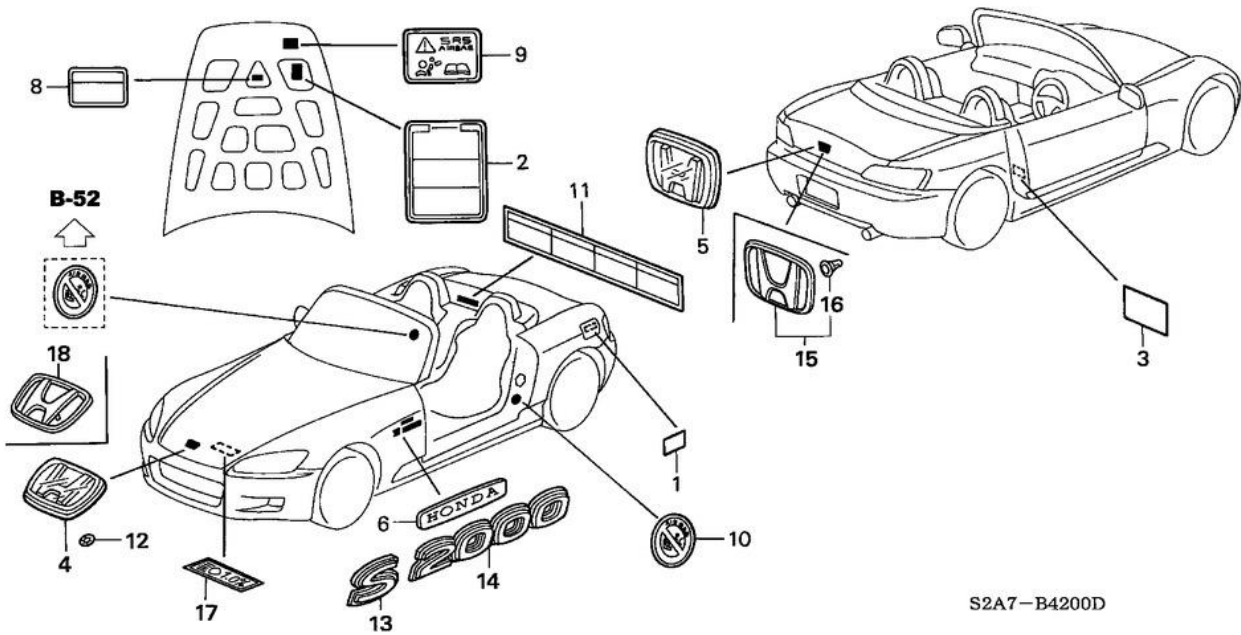
Ref	Part No	Honda Part No	Description	Price (Each)	Req Qty
1	PFKL839475	77209SB0003	WASHER, NYLON	£4.25	1
2	PFKL880073	81117S47003	BUSH, NYLON (TS TECH)	£6.01	1
3	PFKL887383	81230S2A013	ADJUSTER, R. RECLINING	£0.00	1
4	PFKL887499	81231S2A003ZA	KNOB, R. RECLINING *NH167L*	£10.70	1
5	PFKL888454	81260S2AE02	ADJUSTER, R. OUTER SLIDE	£0.00	1
6	PFKL888659	81270S2AE02	ADJUSTER, R. INNER SLIDE	£205.60	1
7	PFKL986039	90143SR3000	BOLT-WASHER, 10X22	£4.90	4
8	PFKL986679	90155SH3000	BOLT-WASHER, 8X25	£7.78	2
9	PFKL992765	90443KF9900	NUT, FLANGE CAP, 8MM	£4.66	1
10	PFKL1017518	934051002007	BOLT-WASHER, 10X20	£2.38	2
11	PFKL1021366	9407008080	NUT-WASHER, 8MM	£1.92	2
12	PFKL888521	81263S2AE01	CABLE	£27.07	1
13	PFKL986043	90143SV4003	BOLT-WASHER, 10X22	£7.74	2

B-41-20 SEATBELTS



Ref	Part No	Honda Part No	Description	Price (Each)	Req Qty
1	PFKL891231	81450S2AG05ZA	TONGUE, R. FR. SEATBELT OUTER *NH167L*	£381.06	1
2	PFKL897052	81850S2AG05ZA	TONGUE, L. FR. SEATBELT OUTER *NH167L*	£381.06	1
3	PFKL897355	81855S2A004ZA	BUCKLE, L. FR. SEATBELT INNER *NH167L*	£121.55	1
4	PFKL979357	90101S84A00	SCREW, ET, 6X16	£3.22	2
5	PFKL986007	90142S04004	BOLT-WASHER, 7/16"X28	£7.42	2
6	PFKL891636	81455S2A004ZA	BUCKLE, R. FR. SEATBELT INNER *NH167L*	£180.39	1
7	PFKL1012597	91540S30003	CLIP, HARNESS BAND (NATURAL) (151.5MM)	£5.51	2
8	PFKL1013081	91555SM4003	CLIP, COUPLER (RED)	£3.15	1
9	PFKL892045	81493S2A004ZA	CAP, THROUGH ANCHOR *NH167L*	£6.77	2
10	PFKL890615	81420S2A004ZA	COVER, ANCHOR *NH167L*	£0.00	2

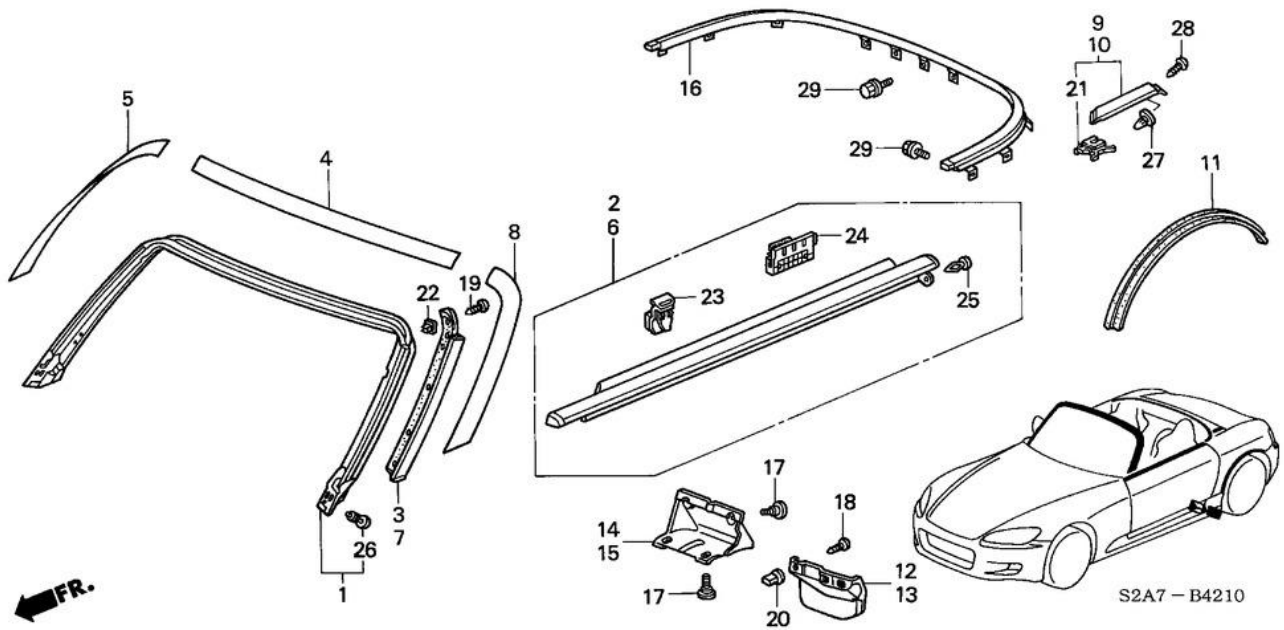
B-42 EMBLEMS/CAUTION LABELS



S2A7-B4200D

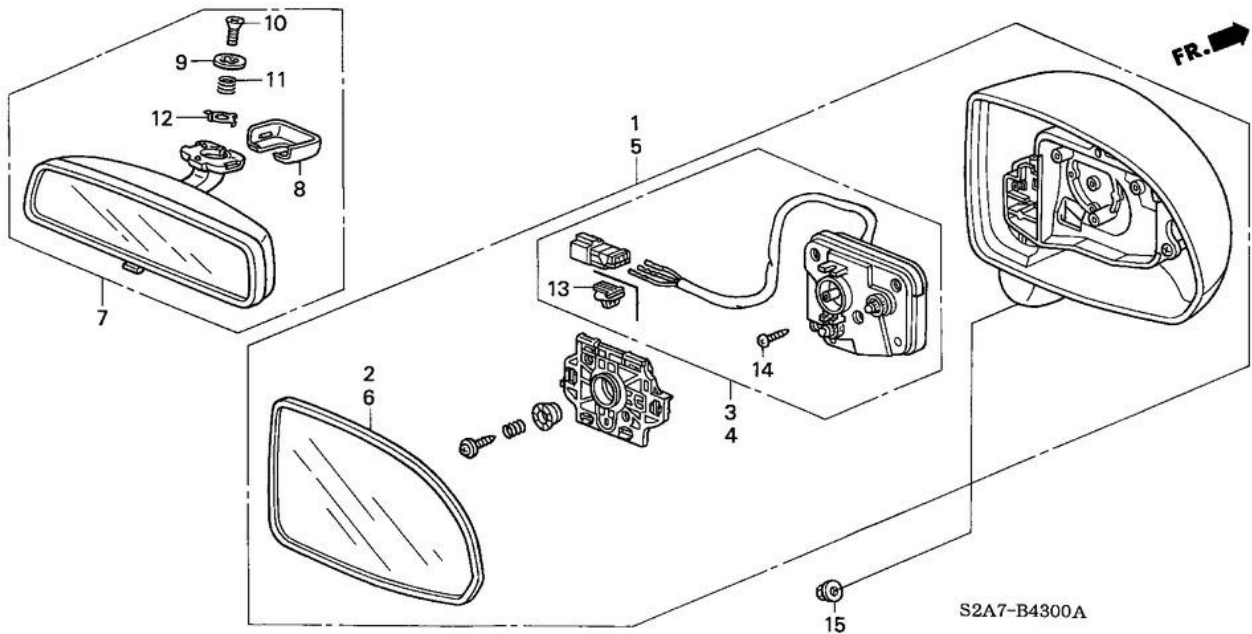
Ref	Part No	Honda Part No	Description	Price (Each)	Req Qty
1	PFKL372273	17669PCXG00	LABEL, FUEL FILLER CAUTION	£8.03	1
2	PFKL399962	19043PADG00	LABEL, COOLANT INFORMATION	£6.00	1
3	PFKL590088	42760S2AG10	PLATE, TIRE PRESSURE CAUTION	£7.46	1
6	PFKL813904	75711S2AG00	EMBLEM, SIDE (HONDA)	£23.54	2
8	PFKL853934	77873SDAE80	LABEL, STEERING COLUMN CAUTION (ENGLISH/FRENCH/GERMAN/DUTCH)	£4.41	1
9	PFKL853950	77875SDAG80	LABEL, SRS CAUTION	£5.45	1
10	PFKL861975	78527S04G80	LABEL, SRS CAUTION (CHILD SEAT)	£7.14	1
12	PFKL988034	90190SB2000	NUT, PUSH, 4MM	£3.69	2
13	PFKL813840	75710S2AG00	EMBLEM SET, SIDE (S)	£15.71	2
14	PFKL813953	75712S2AG00	EMBLEM SET, SIDE (2000)	£47.09	2
15	PFKL813772	75701S2AJ00	EMBLEM, RR. CENTER (H)	£24.02	1
16	PFKL1012190	91512SR3004	CLIP, TUBULAR	£3.46	2
17	PFKL502786	33406S2A000	LABEL, HEADLIGHT ADJUSTER CAUTION	£5.00	1
18	PFKL813632	75700S2AJ00	EMBLEM, FR. CENTER (H)	£24.02	1

B-42-10 MOLDING/PROTECTOR



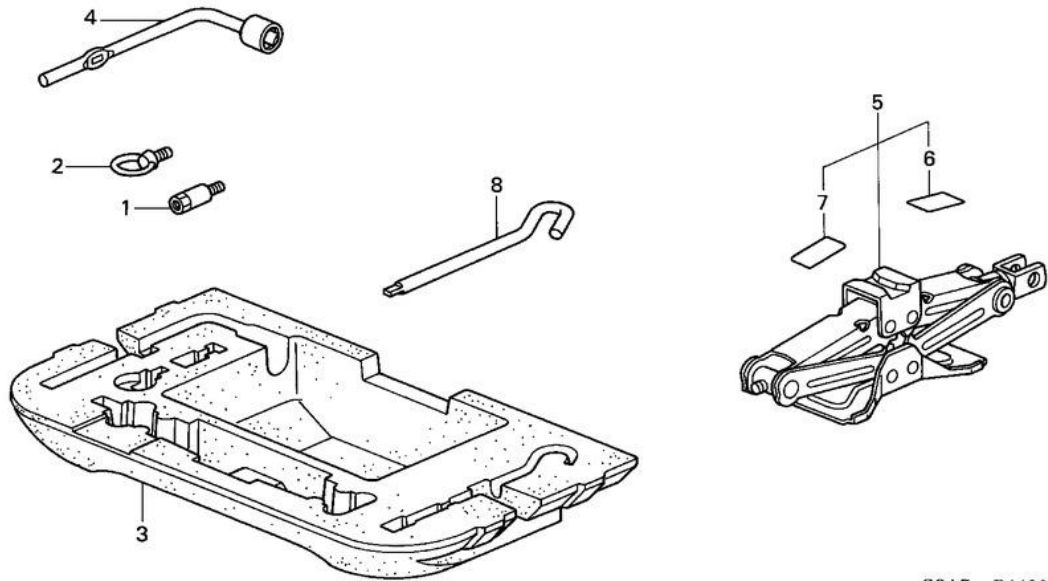
Ref	Part No	Honda Part No	Description	Price (Each)	Req Qty
1	PFKL783979	72320S2A043	WEATHERSTRIP, FR. ROOF PILLAR	£299.82	1
2	PFKL785312	72410S2A023	MOLDING ASSY., R. DOOR	£95.63	1
3	PFKL785420	72420S2A013	MOLDING ASSY., R. FR. PILLAR	£81.96	1
6	PFKL785676	72450S2A023	MOLDING ASSY., L. DOOR	£95.63	1
7	PFKL785767	72460S2A013	MOLDING ASSY., L. FR. PILLAR	£81.96	1
9	PFKL801131	74307S2A003ZP	MOLDING, R. RR. WINDSHIELD *B523P*	£0.00	1
9	PFKL801132	74307S2A003ZR	MOLDING, R. RR. WINDSHIELD *NH676M*	£64.18	1
9	PFKL801133	74307S2A003ZS	MOLDING, R. RR. WINDSHIELD *Y65P*	£0.00	1
9	PFKL801134	74307S2A003ZT	MOLDING, R. RR. WINDSHIELD *B545P*	£0.00	1
9	PFKL801135	74307S2A003ZU	MOLDING, R. RR. WINDSHIELD *YR564M*	£0.00	1
9	PFKL801130	74307S2A003ZN	MOLDING, R. RR. WINDSHIELD *YR536P*	£0.00	1
9	PFKL801129	74307S2A003ZM	MOLDING, R. RR. WINDSHIELD *R508P*	£0.00	1
9	PFKL801128	74307S2A003ZL	MOLDING, R. RR. WINDSHIELD *NH609P*	£0.00	1
9	PFKL801126	74307S2A003ZH	MOLDING, R. RR. WINDSHIELD *B513M*	£0.00	1
9	PFKL801124	74307S2A003ZE	MOLDING, R. RR. WINDSHIELD *R510*	£0.00	1
9	PFKL801123	74307S2A003ZD	MOLDING, R. RR. WINDSHIELD *NH630M*	£64.18	1
9	PFKL801121	74307S2A003ZB	MOLDING, R. RR. WINDSHIELD *NH547*	£64.18	1
10	PFKL801330	74317S2A003ZP	MOLDING, L. RR. WINDSHIELD *B523P*	£0.00	1
10	PFKL801331	74317S2A003ZR	MOLDING, L. RR. WINDSHIELD *NH676M*	£0.00	1
10	PFKL801332	74317S2A003ZS	MOLDING, L. RR. WINDSHIELD *Y65P*	£0.00	1
10	PFKL801333	74317S2A003ZT	MOLDING, L. RR. WINDSHIELD *B545P*	£0.00	1
10	PFKL801334	74317S2A003ZU	MOLDING, L. RR. WINDSHIELD *YR564M*	£0.00	1
10	PFKL801329	74317S2A003ZN	MOLDING, L. RR. WINDSHIELD *YR536P*	£0.00	1
10	PFKL801328	74317S2A003ZM	MOLDING, L. RR. WINDSHIELD *R508P*	£0.00	1
10	PFKL801327	74317S2A003ZL	MOLDING, L. RR. WINDSHIELD *NH609P*	£0.00	1
10	PFKL801325	74317S2A003ZH	MOLDING, L. RR. WINDSHIELD *B513M*	£64.18	1
10	PFKL801323	74317S2A003ZE	MOLDING, L. RR. WINDSHIELD *R510*	£64.18	1

10	PFLK801322	74317S2A003ZD	MOLDING, L. RR. WINDSHIELD *NH630M*	£64.18	1
10	PFLK801320	74317S2A003ZB	MOLDING, L. RR. WINDSHIELD *NH547*	£64.18	1
11	PFLK801691	74430SM4A00	PROTECTOR, RR. WHEEL ARCH	£25.19	2
12	PFLK801891	74475S2AJ00	STRAKE A, R. RR.	£19.63	1
13	PFLK801980	74485S2AJ00	STRAKE A, L. RR.	£19.63	1
14	PFLK802637	74685S2A000	STRAKE B, R. RR.	£27.44	1
15	PFLK802668	74695S2A000	STRAKE B, L. RR.	£27.44	1
16	PFLK804427	74866S2A033	MOLDING	£392.52	1
17	PFLK981967	90110SE0003	BOLT C, BUMPER	£5.24	8
18	PFLK982812	90114SE0000	SCREW, TAPPING, 5X20	£6.26	6
19	PFLK985755	90137SD2003	SCREW, TAPPING, 4X12 (SUS)	£6.03	10
20	PFLK998483	90664SB3003	GROMMET, SCREW, 5MM	£6.79	6
21	PFLK1011796	91502S2A003	CLIP, MOLDING	£6.21	2
22	PFLK1011828	91503SK7013	GROMMET, SCREW (4MM)	£4.73	10
23	PFLK1012372	91525S2A003	CLIP, DOOR MOLDING	£3.74	12
24	PFLK1013432	91563S2A013	STABILIZER, DOOR MOLDING	£31.35	2
25	PFLK1013493	91566SR2013	CLIP	£3.46	2
26	PFLK1013511	91567SR2013	CLIP	£3.46	4
27	PFLK1014489	91651SL4003	GROMMET, DRIP & RETAINER	£3.29	2
28	PFLK986189	90146SL4003	SCREW, TAPPING, 5X12	£7.04	2
29	PFLK1028250	957010601202	BOLT, FLANGE, 6X12	£1.91	12



Ref	Part No	Honda Part No	Description	Price (Each)	Req Qty
1	PFKL822374	76200S2AE11ZA	MIRROR ASSY., R. DOOR (HEATED) *B513M*	£342.33	1
1	PFKL822386	76200S2AE11ZN	MIRROR ASSY., R. DOOR (HEATED) *NH609P*	£0.00	1
1	PFKL822385	76200S2AE11ZM	MIRROR ASSY., R. DOOR (HEATED) *YR564M*	£342.33	1
1	PFKL822384	76200S2AE11ZL	MIRROR ASSY., R. DOOR (HEATED) *B545P*	£0.00	1
1	PFKL822383	76200S2AE11ZK	MIRROR ASSY., R. DOOR (HEATED) *Y65P*	£0.00	1
1	PFKL822382	76200S2AE11ZJ	MIRROR ASSY., R. DOOR (HEATED) *YR536P*	£0.00	1
1	PFKL822389	76200S2AE12ZH	MIRROR ASSY., R. DOOR (HEATED) *R510*	£342.33	1
1	PFKL822380	76200S2AE11ZG	MIRROR ASSY., R. DOOR (HEATED) *R508P*	£0.00	1
1	PFKL2156183	76200S2AE12ZF	MIRROR ASSY., R. DOOR (HEATED) *NH676M*	£342.33	1
1	PFKL822378	76200S2AE11ZE	MIRROR ASSY., R. DOOR (HEATED) *NH630M*	£342.33	1
1	PFKL822377	76200S2AE11ZD	MIRROR ASSY., R. DOOR (HEATED) *NH547*	£0.00	1
1	PFKL822375	76200S2AE11ZB	MIRROR ASSY., R. DOOR (HEATED) *B523P*	£342.33	1
2	PFKL823534	76203S2AG11	MIRROR SUB ASSY., R. (HEATED) (R1400)	£46.02	1
3	PFKL823759	76210S2AG11	ACTUATOR SET, R. (HEATED)	£0.00	1
4	PFKL823878	76215S2AG11	ACTUATOR SET, L. (HEATED)	£81.33	1
5	PFKL826365	76250S2AE11ZN	MIRROR ASSY., L. DOOR (HEATED) *NH609P*	£0.00	1
5	PFKL826364	76250S2AE11ZM	MIRROR ASSY., L. DOOR (HEATED) *YR564M*	£0.00	1
5	PFKL826363	76250S2AE11ZL	MIRROR ASSY., L. DOOR (HEATED) *B545P*	£0.00	1
5	PFKL826362	76250S2AE11ZK	MIRROR ASSY., L. DOOR (HEATED) *Y65P*	£0.00	1
5	PFKL826361	76250S2AE11ZJ	MIRROR ASSY., L. DOOR (HEATED) *YR536P*	£0.00	1
5	PFKL826369	76250S2AE12ZH	MIRROR ASSY., L. DOOR (HEATED) *R510*	£0.00	1
5	PFKL826359	76250S2AE11ZG	MIRROR ASSY., L. DOOR (HEATED) *R508P*	£0.00	1
5	PFKL826368	76250S2AE12ZF	MIRROR ASSY., L. DOOR (HEATED) *NH676M*	£342.33	1
5	PFKL826357	76250S2AE11ZE	MIRROR ASSY., L. DOOR (HEATED) *NH630M*	£342.33	1
5	PFKL826367	76250S2AE12ZD	MIRROR ASSY., L. DOOR (HEATED) *NH547*	£342.33	1
5	PFKL826354	76250S2AE11ZB	MIRROR ASSY., L. DOOR (HEATED) *B523P*	£0.00	1
5	PFKL826353	76250S2AE11ZA	MIRROR ASSY., L. DOOR (HEATED) *B513M*	£342.33	1

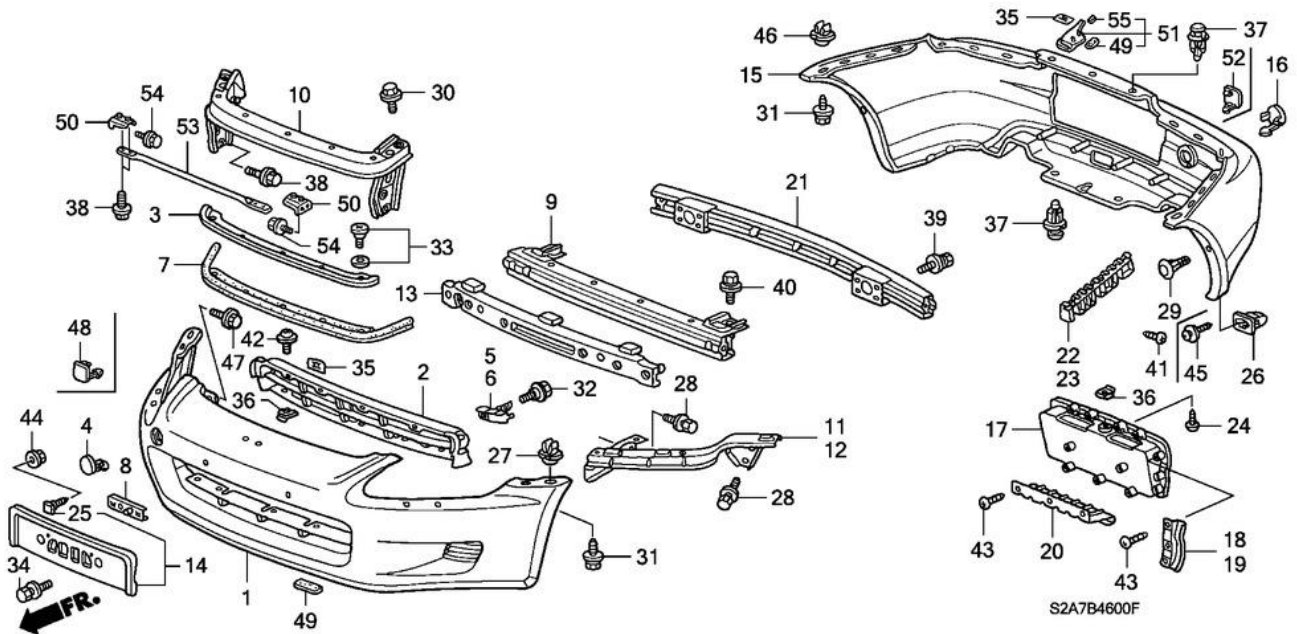
6	PFKL827508	76253S2AG11	MIRROR SUB ASSY., L. (HEATED) (R1400)	£46.02	1
7	PFKL828463	76400S2A003ZA	MIRROR ASSY., RR. VIEW (DAY/NIGHT) *NH167L*	£114.50	1
8	PFKL828537	76408S2A003ZA	COVER, STAY *NH167L*	£7.26	1
9	PFKL828538	76409SL0003	WASHER, TOOTHED	£4.70	1
10	PFKL828563	76410SL4003	BOLT, LOCK	£4.77	1
11	PFKL828614	76419SL4003	SPRING, HOLDER	£4.28	1
12	PFKL828618	76420SL4003	PLATE, HOOK	£13.15	1
14	PFKL1020197	9390124380	SCREW, TAPPING, 4X12	£1.49	6
15	PFKL1021373	9407106080	NUT-WASHER, 6MM	£1.92	6



S2A7 – B4400

Ref	Part No	Honda Part No	Description	Price (Each)	Req Qty
1	PFKL802707	74717S2A000	EXTENSION, TOWING HOOK	£12.22	1
2	PFKL802709	74717S50000	BOLT, EYE	£13.36	1
3	PFKL972721	89101S2A010	BOX, TOOL	£116.58	1
4	PFKL972877	89211S05003	WRENCH, WHEEL	£25.67	1
5	PFKL973391	89310S2A003	JACK ASSY., PANTOGRAPH	£180.19	1
6	PFKL973429	89311S2A003	PLATE, JACK CAUTION	£0.00	1
7	PFKL973437	89312S2A003	LABEL, PANTOGRAPH JACK	£0.00	1
8	PFKL973451	89320S2G003	BAR, JACK	£35.22	1

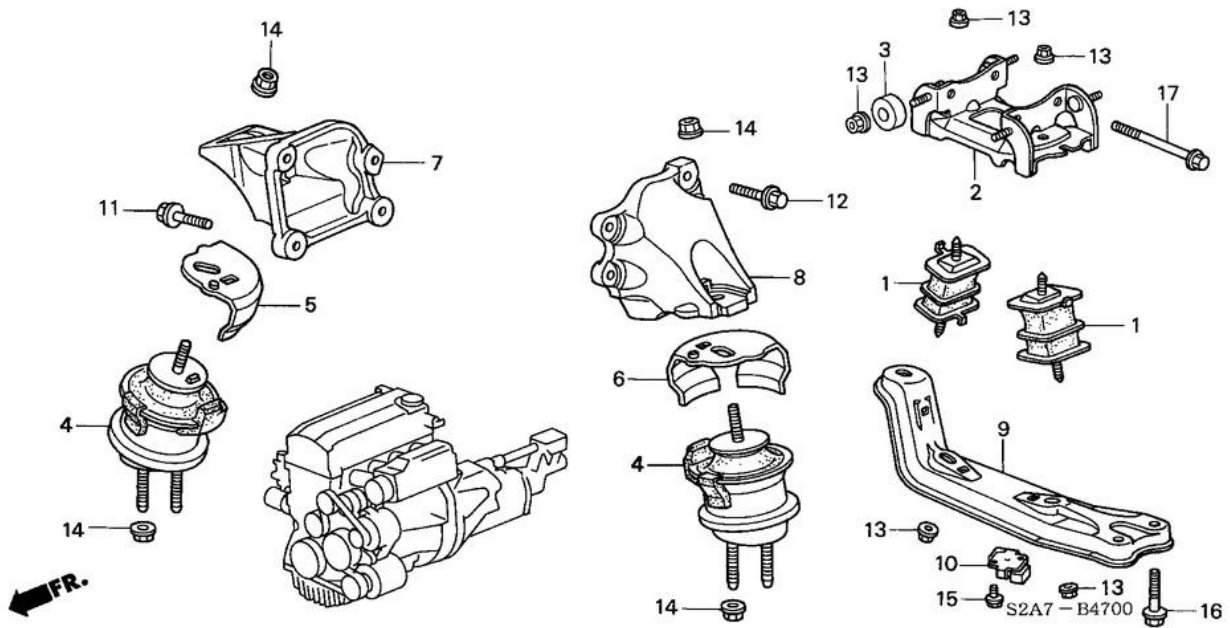
B-46 BUMPERS



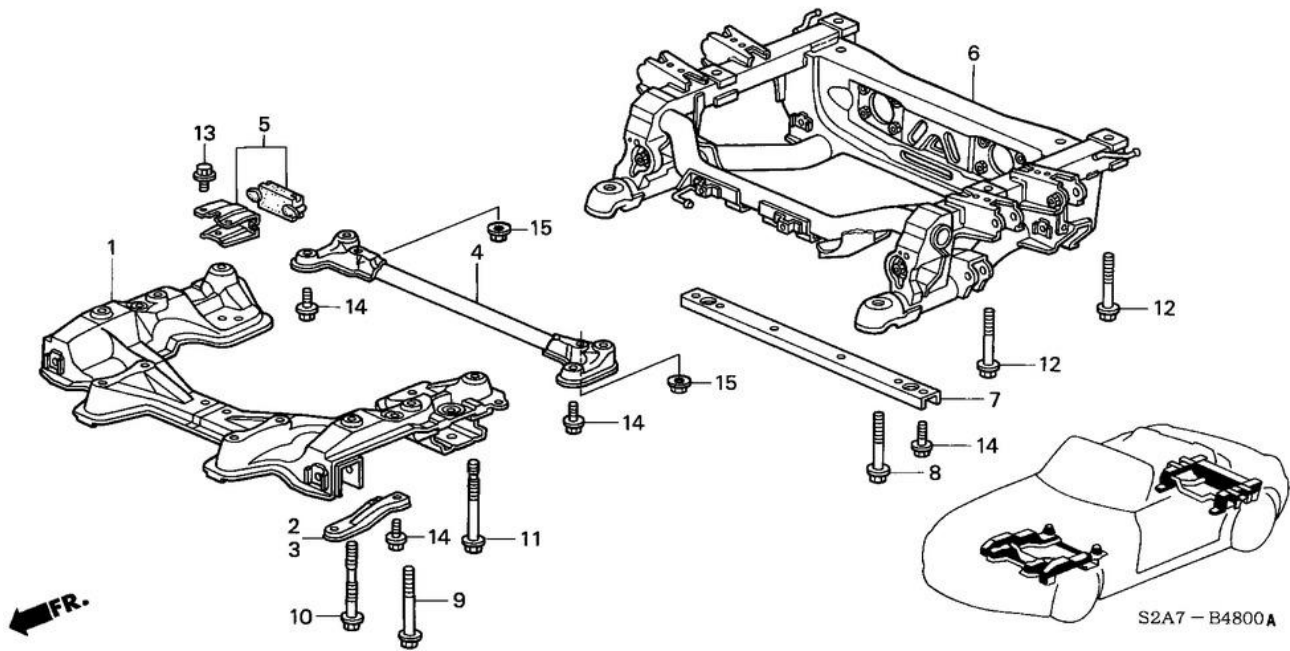
Ref	Part No	Honda Part No	Description	Price (Each)	Req Qty
1	PFKL765946	71101S2A316ZA	FACE, FR. BUMPER *B513M*	£440.66	1
1	PFKL2642868	04711S2A306ZZ	FACE, FR. BUMPER *NH609P*	£372.04	1
1	PFKL765957	71101S2A316ZM	FACE, FR. BUMPER *YR564M*	£440.66	1
1	PFKL765956	71101S2A316ZL	FACE, FR. BUMPER *B545P*	£466.47	1
1	PFKL765955	71101S2A316ZK	FACE, FR. BUMPER *Y65P*	£466.47	1
1	PFKL765954	71101S2A316ZJ	FACE, FR. BUMPER *YR536P*	£440.66	1
1	PFKL765953	71101S2A316ZH	FACE, FR. BUMPER *R510*	£372.04	1
1	PFKL765952	71101S2A316ZG	FACE, FR. BUMPER *R508P*	£0.00	1
1	PFKL2642868	04711S2A306ZZ	FACE, FR. BUMPER *NH676M*	£372.04	1
1	PFKL765950	71101S2A316ZE	FACE, FR. BUMPER *NH630M*	£440.66	1
1	PFKL2642868	04711S2A306ZZ	FACE, FR. BUMPER *NH547*	£372.04	1
1	PFKL765947	71101S2A316ZB	FACE, FR. BUMPER *B523P*	£440.66	1
2	PFKL766654	71102S2A010	GRILLE, FR. BUMPER	£59.35	1
3	PFKL766804	71103S2A000	STIFFENER, FR. BUMPER UPPER	£18.22	1
5	PFKL767014	71105S2A000	STIFFENER, R. FR. BUMPER	£9.31	1
6	PFKL767044	71106S2A000	STIFFENER, L. FR. BUMPER	£9.31	1
7	PFKL767255	71108S2A010	SEAL, FR. BUMPER	£30.99	1
8	PFKL767536	71113SH2000	NUT, LICENSE PLATE	£9.53	2
9	PFKL768177	71130S2AG01ZZ	BEAM COMP., FR. BUMPER	£149.97	1
10	PFKL768328	71140S2A010ZZ	BEAM COMP., FR. BUMPER UPPER	£60.56	1
11	PFKL768400	71143S2A000ZZ	BEAM COMP., R. FR. BUMPER CORNER UPPER	£24.32	1
12	PFKL768529	71148S2A000ZZ	BEAM COMP., L. FR. BUMPER CORNER UPPER	£24.32	1
13	PFKL768838	71170S2A010	ABSORBER, FR. BUMPER	£70.28	1
14	PFKL768907	71180S2AG00	BASE, FR. LICENSE PLATE	£39.50	1
15	PFKL770420	71501S2AG01ZZ	FACE, RR. BUMPER	£389.83	1
17	PFKL771417	71505S2AG01ZT	GARNISH, RR. LICENSE *NH609P*	£98.80	1
17	PFKL771416	71505S2AG01ZS	GARNISH, RR. LICENSE *YR564M*	£98.80	1

17	PFL771415	71505S2AG01ZR	GARNISH, RR. LICENSE *B545P*	£108.10	1
17	PFL771414	71505S2AG01ZQ	GARNISH, RR. LICENSE *Y65P*	£108.10	1
17	PFL771407	71505S2AG01ZE	GARNISH, RR. LICENSE *R510*	£108.10	1
17	PFL771412	71505S2AG01ZN	GARNISH, RR. LICENSE *B523P*	£98.80	1
17	PFL771410	71505S2AG01ZL	GARNISH, RR. LICENSE *R508P*	£0.00	1
17	PFL771408	71505S2AG01ZH	GARNISH, RR. LICENSE *B513M*	£98.80	1
17	PFL771411	71505S2AG01ZM	GARNISH, RR. LICENSE *YR536P*	£98.80	1
17	PFL771405	71505S2AG01ZB	GARNISH, RR. LICENSE *NH547*	£108.10	1
17	PFL771406	71505S2AG01ZD	GARNISH, RR. LICENSE *NH630M*	£98.80	1
17	PFL771413	71505S2AG01ZP	GARNISH, RR. LICENSE *NH676M*	£108.10	1
18	PFL771451	71506S2AG01	BRACKET, R. RR. LICENSE SIDE	£28.89	1
19	PFL771526	71507S2AG01	BRACKET, L. RR. LICENSE SIDE	£28.89	1
20	PFL771544	71508S2AG01	BRACKET, RR. LOWER LICENSE GARNISH	£43.31	1
21	PFL771996	71530S2AA00ZZ	BEAM COMP., RR. BUMPER	£173.53	1
22	PFL772319	71581S2A003	SPACER, R. RR. BUMPER	£28.75	1
23	PFL772325	71586S2A003	SPACER, L. RR. BUMPER	£28.75	1
24	PFL980102	90103SD4000	SCREW, TAPPING, 5X16	£5.65	1
25	PFL980127	90103SP0000	BOLT, CORNER CLIP	£7.84	2
26	PFL998436	90663SB0003	GROMMET, SCREW, 5MM (YELLOW)	£4.21	2
27	PFL981353	90107SX0003	GROMMET, BUMPER END	£4.95	2
28	PFL981568	90108SF1000	BOLT-WASHER, 6X15	£5.13	8
30	PFL981599	90108S0A003	BOLT, FLANGE, 6X15	£4.16	2
31	PFL981794	90109SS0000	SCREW, TAPPING, 5X20	£5.69	4
32	PFL982424	90112SS0000	BOLT, FLANGE, 6X12	£5.24	2
33	PFL985148	90130SR2003	BOLT ASSY., BUMPER	£7.26	5
34	PFL1017383	934040601604	BOLT-WASHER, 6X16	£1.92	2
35	PFL989133	90301S2A003	NUT, SPEED (3.5MM)	£3.19	8
36	PFL990134	90308SB2013	NUT, SUSPENSION, 5MM	£5.89	1
37	PFL1011843	91503SZ3003	CLIP A, BUMPER	£4.36	5
38	PFL1017477	934050601608	BOLT-WASHER, 6X16	£2.38	8
39	PFL1017511	934050802508	BOLT-WASHER, 8X25	£2.38	5
40	PFL1017565	934071002508	BOLT-WASHER, 10X25	£3.19	4
41	PFL1020143	9390115380	SCREW, TAPPING, 5X16	£1.49	6
43	PFL1020858	9391325120	SCREW, TAPPING, 5X10 (PO)	£1.49	9
44	PFL1021373	9407106080	NUT-WASHER, 6MM	£1.92	2
45	PFL982812	90114SE0000	SCREW, TAPPING, 5X20	£6.26	2
46	PFL981354	90107S0XA01	GROMMET, BUMPER END	£3.47	2
47	PFL1017290	934030601204	BOLT-WASHER, 6X12	£2.21	2
48	PFL766928	71104S2A010ZU	COVER, FR. TOWING HOOK *YR564M*	£0.00	1
48	PFL766917	71104S2A010ZD	COVER, FR. TOWING HOOK *NH630M*	£13.17	1
48	PFL766927	71104S2A010ZT	COVER, FR. TOWING HOOK *B545P*	£13.14	1
48	PFL766926	71104S2A010ZS	COVER, FR. TOWING HOOK *Y65P*	£13.17	1
48	PFL766922	71104S2A010ZM	COVER, FR. TOWING HOOK *R508P*	£13.14	1
48	PFL766925	71104S2A010ZR	COVER, FR. TOWING HOOK *NH676M*	£13.17	1
48	PFL766915	71104S2A010ZB	COVER, FR. TOWING HOOK *NH547*	£13.17	1
48	PFL766918	71104S2A010ZE	COVER, FR. TOWING HOOK *R510*	£13.17	1

48	PFKL766919	71104S2A010ZH	COVER, FR. TOWING HOOK *B513M*	£13.17	1
48	PFKL766921	71104S2A010ZL	COVER, FR. TOWING HOOK *NH609P*	£13.14	1
48	PFKL766923	71104S2A010ZN	COVER, FR. TOWING HOOK *YR536P*	£13.14	1
48	PFKL766924	71104S2A010ZP	COVER, FR. TOWING HOOK *B523P*	£13.17	1
49	PFKL767548	71114S2A000	SEAL, BUMPER	£7.71	3
50	PFKL768388	71142S2A000	BRACKET, FR. PERFORMANCE ROD	£9.49	2
51	PFKL2518474	71502S2A305	PROTECTOR, R. RR. BUMPER	£19.46	1
52	PFKL771246	71504S2A010ZH	COVER, RR. TOWING HOOK *B513M*	£13.17	1
52	PFKL771244	71504S2A010ZD	COVER, RR. TOWING HOOK *NH630M*	£13.17	1
52	PFKL771242	71504S2A010ZB	COVER, RR. TOWING HOOK *NH547*	£13.17	1
52	PFKL771253	71504S2A010ZS	COVER, RR. TOWING HOOK *Y65P*	£13.17	1
52	PFKL771245	71504S2A010ZE	COVER, RR. TOWING HOOK *R510*	£13.17	1
52	PFKL771248	71504S2A010ZL	COVER, RR. TOWING HOOK *NH609P*	£13.12	1
52	PFKL771250	71504S2A010ZN	COVER, RR. TOWING HOOK *YR536P*	£13.17	1
52	PFKL771249	71504S2A010ZM	COVER, RR. TOWING HOOK *R508P*	£13.17	1
52	PFKL771251	71504S2A010ZP	COVER, RR. TOWING HOOK *B523P*	£13.17	1
52	PFKL771252	71504S2A010ZR	COVER, RR. TOWING HOOK *NH676M*	£13.17	1
52	PFKL771255	71504S2A010ZU	COVER, RR. TOWING HOOK *YR564M*	£13.17	1
52	PFKL771254	71504S2A010ZT	COVER, RR. TOWING HOOK *B545P*	£13.17	1
53	PFKL802378	74615S2A000ZZ	ROD, FR. PERFORMANCE	£128.66	1
54	PFKL1017222	934020601008	BOLT-WASHER, 6X10	£1.37	4
55	PFKL771074	71503S2A000	SEAL A, RR. BUMPER	£3.60	1

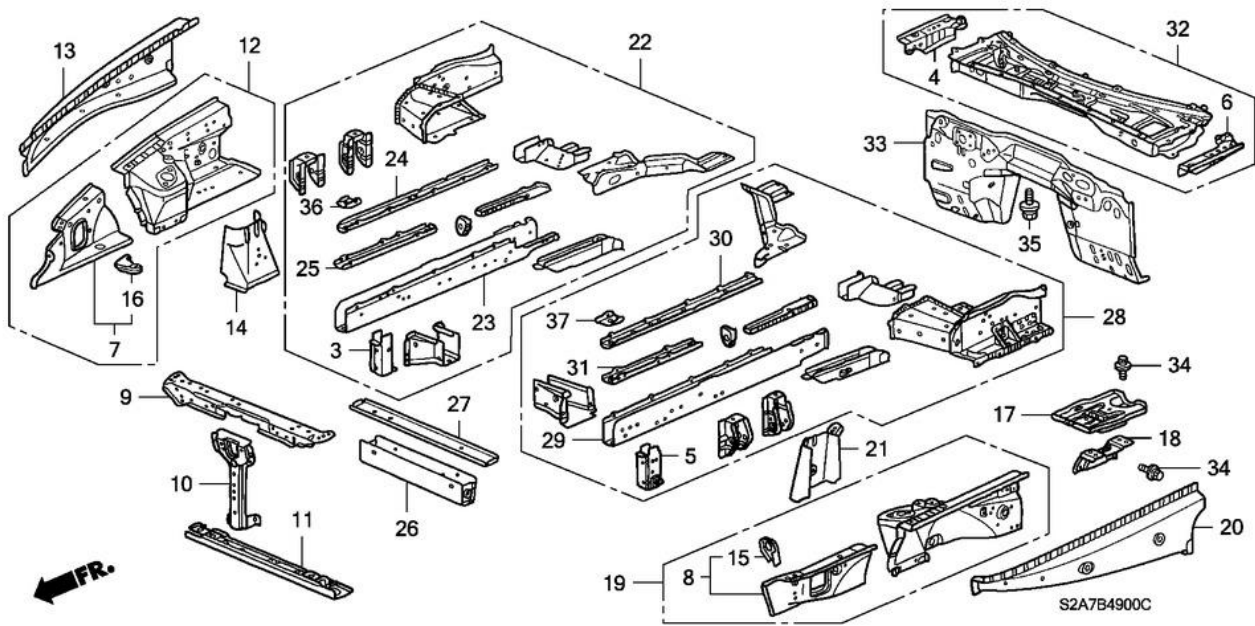


Ref	Part No	Honda Part No	Description	Price (Each)	Req Qty
1	PFKL646267	50806S2A000	RUBBER, TRANSMISSION MOUNTING	£92.94	2
2	PFKL646294	50807S2A010	BRACKET, TRANSMISSION MOUNT	£43.29	1
3	PFKL646303	50808S2A000	MASS, MISSION MOUNTING	£14.09	4
4	PFKL646487	50810S2A003	RUBBER ASSY., FR. ENGINE MOUNTING	£319.14	2
5	PFKL646669	50815S2A013	STOPPER, R. OUTER	£28.15	1
6	PFKL646708	50816S2A013	STOPPER, L. OUTER	£0.00	1
7	PFKL647039	50824S2A000	BRACKET, R. FR. ENGINE MOUNTING	£191.88	1
8	PFKL647136	50825S2A000	BRACKET, L. FR. ENGINE MOUNTING	£191.88	1
9	PFKL647430	50835S2A000	BEAM, MISSION MOUNTING	£92.96	1
10	PFKL647447	50836S2A000	DAMPER, TRANSMISSION BEAM DYNAMIC	£42.26	1
11	PFKL987404	90167S2A000	BOLT, FLANGE, 10X40	£7.85	4
12	PFKL987439	90168S2A010	BOLT, FLANGE, 10X35	£4.54	4
12	PFKL987439	90168S2A010	BOLT, FLANGE, 10X35	£4.54	4
13	PFKL1021341	9405008080	NUT, FLANGE, 8MM	£2.75	8
14	PFKL1021355	9405012080	NUT, FLANGE, 12MM	£2.38	6
15	PFKL1028254	957010601208	BOLT, FLANGE, 6X12	£1.92	2
16	PFKL1028618	957011002508	BOLT, FLANGE, 10X25	£2.38	3
17	PFKL1029269	958011008008	BOLT, FLANGE, 10X80	£3.35	2



Ref	Part No	Honda Part No	Description	Price (Each)	Req Qty
1	PFKL634440	50200S2AG01	SUB FRAME COMP., FR.	£1,237.57	1
2	PFKL635372	50241S2AG00	GUSSET, R. FR. SUB FRAME	£24.63	1
3	PFKL635379	50242S2AG00	GUSSET, L. FR. SUB FRAME	£24.63	1
4	PFKL635531	50250S2AG00	STIFFENER COMP., ENGINE MOUNTING	£148.81	1
5	PFKL635685	50260S2A000	STOPPER ASSY., ENGINE	£59.85	1
6	PFKL635956	50300S2AA02	BEAM, RR. SUSPENSION CROSS	£2,302.00	1
7	PFKL638624	50400S2AA01	STIFFENER, RR. SUSPENSION	£45.03	1
8	PFKL987017	90161SR3000	BOLT, FLANGE, 14X107	£14.00	2
9	PFKL987028	90161S2A000	BOLT, FLANGE, 14X160	£20.76	2
10	PFKL987109	90162S2A000	BOLT, FLANGE, 14X130	£16.15	2
11	PFKL987188	90163S2A000	BOLT, FLANGE, 12X202	£23.07	2
12	PFKL987257	90164S2A000	BOLT, FLANGE, 12X162	£18.43	4
13	PFKL1028447	957010801608	BOLT, FLANGE, 8X16	£2.21	3
14	PFKL1028600	957011001608	BOLT, FLANGE, 10X16	£2.14	14
15	PFKL1021350	9405010080	NUT, FLANGE, 10MM	£2.14	2

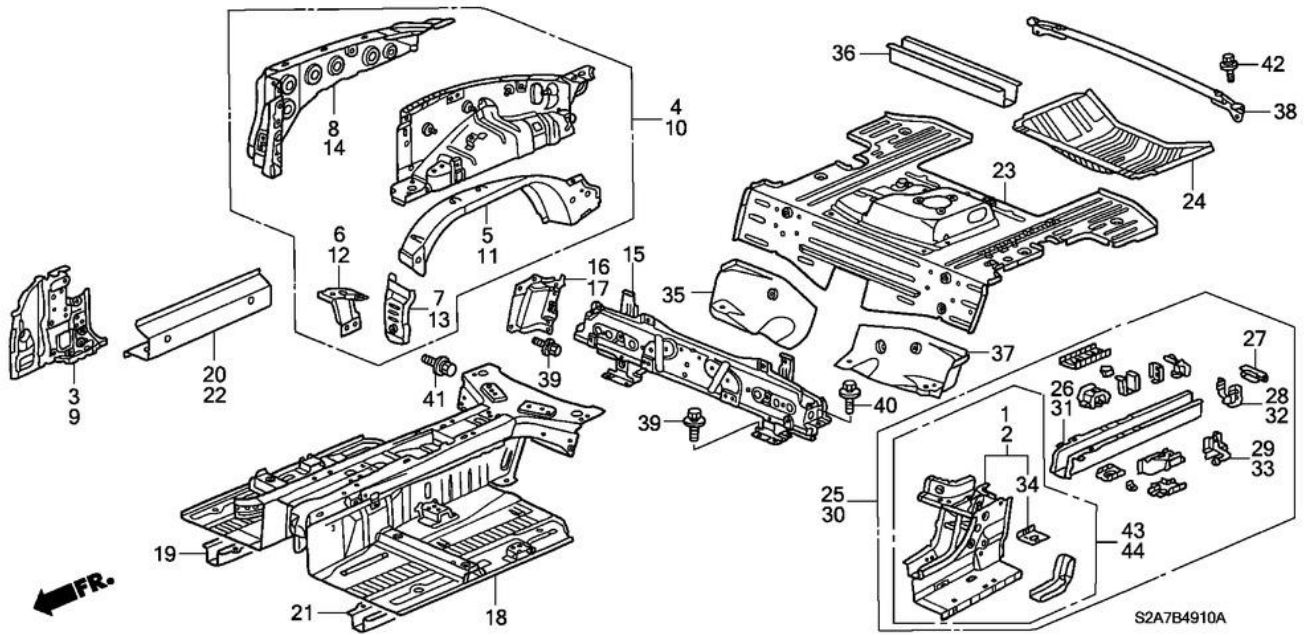
B-49 FRONT BULKHEAD/DASHBOARD



Ref	Part No	Honda Part No	Description	Price (Each)	Req Qty
3	PFKL215027	04606S2AA00ZZ	PLATE, R. BULKHEAD LOWER CROSS MEMBER	£61.31	1
4	PFKL215365	04612S2A300ZZ	MEMBER SET, R. DASHBOARD UPPER SIDE	£0.00	1
5	PFKL215432	04616S2AA00ZZ	PLATE, L. BULKHEAD LOWER CROSS MEMBER	£61.31	1
6	PFKL215465	04617S2A300ZZ	MEMBER SET, L. DASHBOARD UPPER SIDE	£0.00	1
7	PFKL216890	04642S2AE01ZZ	WHEELHOUSE SUB SET, R. FR.	£54.65	1
8	PFKL217806	04652S2AE02ZZ	WHEELHOUSE SUB SET, L. FR.	£54.65	1
9	PFKL707865	60431S2AA00ZZ	FRAME, BULKHEAD UPPER	£105.18	1
10	PFKL707923	60434S2AA01ZZ	STAY, BULKHEAD CENTER	£30.60	1
11	PFKL707969	60440S2AA00ZZ	CROSSMEMBER COMP., FR. LOWER	£128.08	1
12	PFKL708532	60610S2AE04ZZ	WHEELHOUSE COMP., R. FR.	£326.39	1
13	PFKL708682	60614S2A300ZZ	MEMBER, R. FR. WHEELHOUSE UPPER	£93.37	1
14	PFKL708696	60615S2A300ZZ	STIFFENER, R. FR. SHOCK ABSORBER	£49.01	1
15	PFKL708709	60617S2A300ZZ	BRACKET, OPEN STAY	£7.61	1
16	PFKL708718	60618S2A300ZZ	BRACKET, ROD HOLDER	£7.61	1
17	PFKL708804	60630S2A020ZZ	BASE COMP., BATTERY	£69.06	1
18	PFKL708873	60638S2A000ZZ	BASE COMP., BATTERY SETTING	£0.00	1
19	PFKL709638	60710S2AE04ZZ	WHEELHOUSE COMP., L. FR.	£0.00	1
20	PFKL709789	60714S2A300ZZ	MEMBER, L. FR. WHEELHOUSE UPPER	£93.37	1
21	PFKL709805	60715S2A300ZZ	STIFFENER, L. FR. SHOCK ABSORBER	£0.00	1
22	PFKL710659	60810S2AE03ZZ	FRAME COMP., R. FR. SIDE	£0.00	1
23	PFKL710767	60811S2AA02ZZ	FRAME, R. FR. SIDE	£205.94	1
24	PFKL710838	60812S2AA02ZZ	PLATE, R. FR. SIDE	£0.00	1
25	PFKL710857	60813S2A320ZZ	STIFFENER, R. FR. SIDE	£45.93	1
26	PFKL711086	60835S2AA00ZZ	CROSSMEMBER, FR. UPPER	£89.12	1
27	PFKL711090	60836S2AA01ZZ	PLATE, FR. UPPER	£34.57	1
28	PFKL711616	60910S2AE03ZZ	FRAME COMP., L. FR. SIDE	£0.00	1
29	PFKL711691	60911S2AA02ZZ	FRAME, L. FR. SIDE	£205.94	1

30	PFKL711734	60912S2AA02ZZ	PLATE, L. FR. SIDE	£60.71	1
31	PFKL711753	60913S2A320ZZ	STIFFENER, L. FR. SIDE	£49.01	1
32	PFKL715223	61100S2AE01ZZ	DASHBOARD COMP., UPPER	£0.00	1
33	PFKL722187	61500S2AE01ZZ	DASHBOARD COMP., LOWER	£0.00	1
34	PFKL980764	90105SV1000	BOLT-WASHER, 8X20	£4.68	5
35	PFKL1017467	934050601208	BOLT-WASHER, 6X12	£2.21	4
36	PFKL710954	60821S2A300ZZ	STIFFENER, R. FR. SIDE (B)	£0.00	1
37	PFKL711807	60921S2A300ZZ	STIFFENER, L. FR. SIDE (B)	£0.00	1

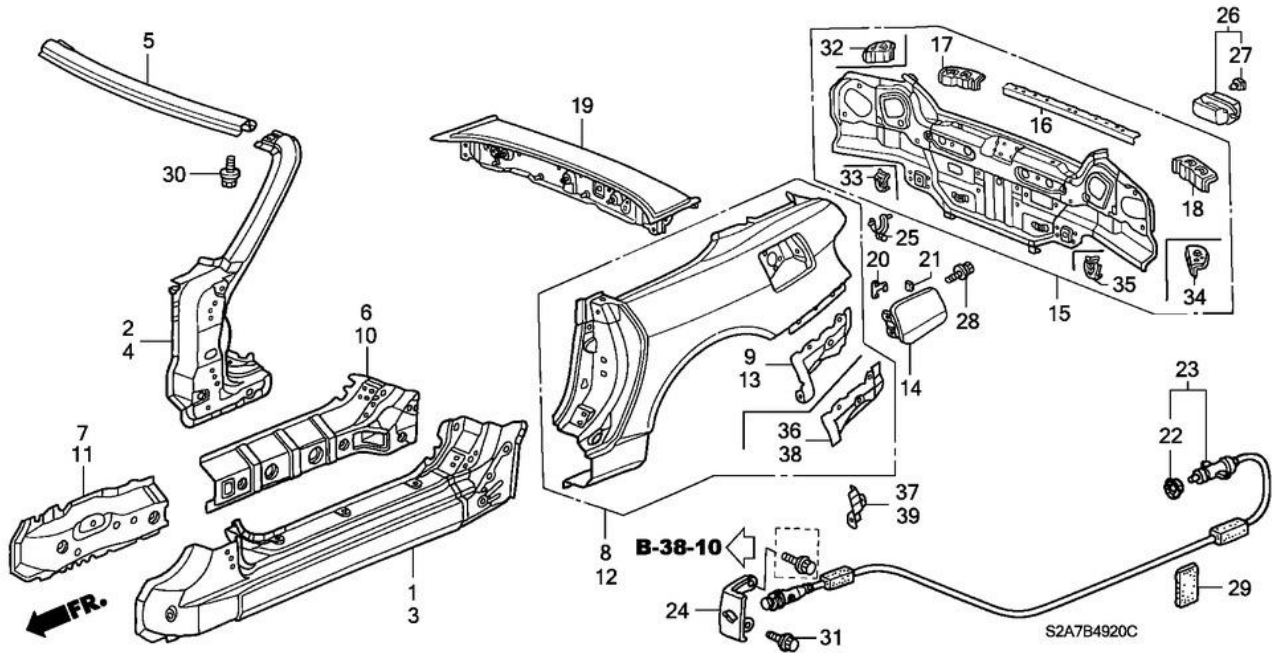
B-49-10 FLOOR/INNER PANELS



Ref	Part No	Honda Part No	Description	Price (Each)	Req Qty
3	PFKL730534	64130S2AE02ZZ	PILLAR COMP., R. FR. INNER LOWER	£0.00	1
4	PFKL739173	64300S2AA02ZZ	PANEL COMP., R. RR. INSIDE	£0.00	1
5	PFKL739686	64301S2A300ZZ	PANEL, R. RR. INSIDE	£120.30	1
6	PFKL740494	64305S2A310ZZ	BASE COMP., R. RR. JACK UP	£0.00	1
7	PFKL742195	64321S2AJ00ZZ	EXTENSION, R. RR. WHEEL ARCH	£107.83	1
8	PFKL744267	64361S2A300ZZ	STIFFENER, R. RR. FENDER	£276.46	1
9	PFKL747721	64530S2AE02ZZ	PILLAR COMP., L. FR. INNER LOWER	£0.00	1
10	PFKL749042	64700S2AA01ZZ	PANEL COMP., L. RR. INSIDE	£1,179.31	1
11	PFKL749086	64701S2A300ZZ	PANEL, L. RR. INSIDE	£120.30	1
12	PFKL749087	64705S2A300ZZ	BASE COMP., L. RR. JACK UP	£104.27	1
13	PFKL749167	64721S2AJ00ZZ	EXTENSION, L. RR. WHEEL ARCH	£107.83	1
14	PFKL749374	64761S2A300ZZ	STIFFENER, L. RR. FENDER	£0.00	1
15	PFKL749429	64810S2A000ZZ	FRAME COMP., ROLL BAR	£0.00	1
16	PFKL749583	64819S2A000ZZ	GUSSET, R. CORNER	£0.00	1
17	PFKL750108	64869S2A000ZZ	GUSSET, L. CORNER	£0.00	1
18	PFKL750427	65100S2AE03ZZ	FLOOR COMP., FR.	£0.00	1
19	PFKL750508	65115S2AA00ZZ	FRAME, R. FR. FLOOR	£0.00	1
20	PFKL750727	65141S2AA00ZZ	SILL, R. FR. INSIDE	£46.97	1
21	PFKL750769	65165S2AA00ZZ	FRAME, L. FR. FLOOR	£0.00	1
22	PFKL750956	65191S2AA00ZZ	SILL, L. FR. INSIDE	£0.00	1
23	PFKL751095	65510S2AG01ZZ	FLOOR COMP., RR.	£551.00	1
24	PFKL751170	65517S2AA01ZZ	PAN, BAGGAGE	£318.86	1
25	PFKL751446	65610S2AG00ZZ	FRAME COMP., R. RR.	£0.00	1
26	PFKL751493	65611S2AA01ZZ	FRAME, R. RR.	£132.17	1
27	PFKL751502	65613S2A300ZZ	REINFORCEMENT, RR. BUMPER	£18.52	2
28	PFKL751507	65614S2AA00ZZ	REINFORCEMENT, R. RR. TIE DOWN	£39.04	1
29	PFKL751572	65620S2A300ZZ	BRACKET, R. RR. SILENCER MOUNTING	£0.00	2

30	PFKL751879	65660S2AG04ZZ	FRAME COMP., L. RR.	£0.00	1
31	PFKL751930	65661S2AA01ZZ	FRAME, L. RR.	£0.00	1
32	PFKL751943	65664S2AA00ZZ	REINFORCEMENT, L. RR. TIE DOWN	£0.00	1
33	PFKL751984	65670S2A300ZZ	BRACKET, L. RR. SILENCER MOUNTING	£23.12	2
34	PFKL752173	65703S2A300ZZ	PATCH, MIDDLE TIE DOWN	£0.00	2
35	PFKL752174	65706S2AA00ZZ	PANEL, R. MIDDLE FLOOR	£0.00	1
36	PFKL752340	65751S2AA00ZZ	CROSSMEMBER COMP., RR. FLOOR	£129.98	1
37	PFKL752347	65766S2AA00ZZ	PANEL, L. MIDDLE FLOOR	£0.00	1
38	PFKL802356	74610S2A010ZZ	BAR, RR. TOWER	£0.00	1
39	PFKL1017386	934040601608	BOLT-WASHER, 6X16	£1.92	24
40	PFKL1017438	934040802008	BOLT-WASHER, 8X20	£1.91	2
41	PFKL1017504	934050801608	BOLT-WASHER, 8X16	£2.14	4
42	PFKL1017532	934060801608	BOLT-WASHER, 8X16	£1.91	7
43	PFKL218175	04658S2AA02ZZ	PANEL SET, R. RR. FRAME OUTRIGGER	£0.00	1
44	PFKL218185	04659S2AA03ZZ	PANEL SET, L. RR. FRAME OUTRIGGER	£0.00	1

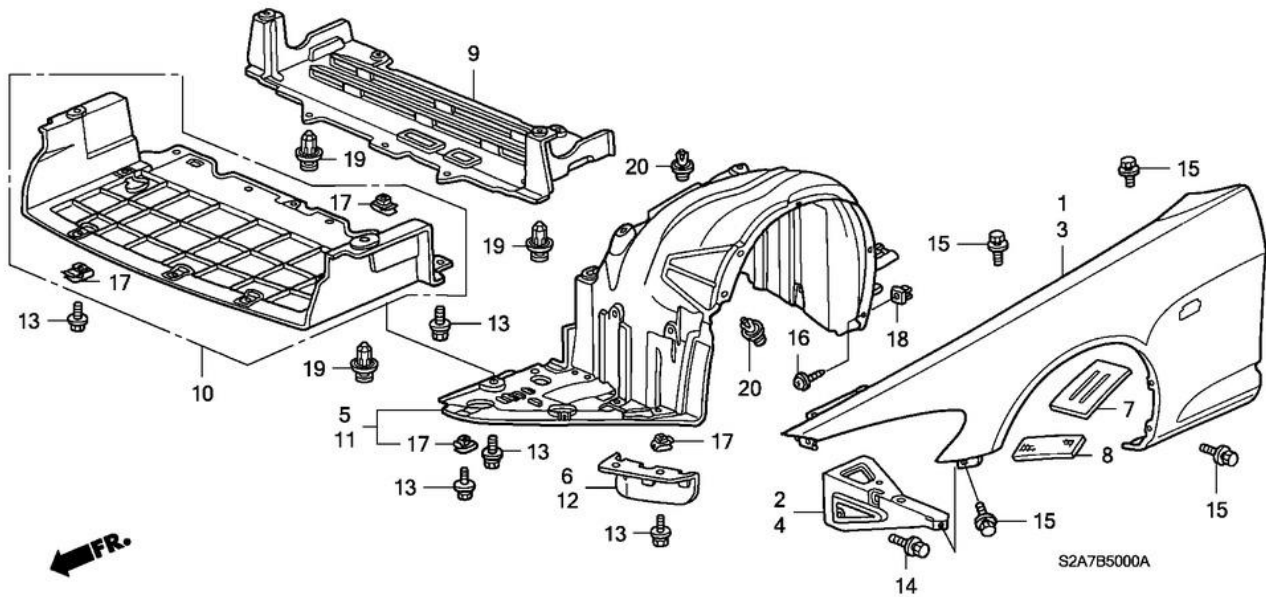
B-49-20 OUTER PANELS/REAR PANEL



Ref	Part No	Honda Part No	Description	Price (Each)	Req Qty
1	PFKL215723	04631S2A310ZZ	PANEL, R. SIDE SILL	£230.46	1
2	PFKL216542	04637S2A300ZZ	PILLAR SET, R. FR. INNER UPPER	£680.79	1
3	PFKL216745	04641S2A310ZZ	PANEL, L. SIDE SILL	£230.46	1
4	PFKL217697	04647S2A300ZZ	PILLAR SET, L. FR. INNER UPPER	£680.79	1
5	PFKL724305	62120S2A310ZZ	RAIL COMP., FR. ROOF	£189.38	1
6	PFKL726472	63112S2A310ZZ	STIFFENER, R. SIDE SILL	£145.61	1
7	PFKL726605	63135S2A300ZZ	STIFFENER, R. SIDE SILL EXTENSION	£115.97	1
8	PFKL726989	63300S2A310ZZ	PANEL COMP., R. RR. FENDER	£674.71	1
10	PFKL727734	63512S2A310ZZ	STIFFENER, L. SIDE SILL	£113.00	1
11	PFKL727837	63535S2A300ZZ	STIFFENER, L. SIDE SILL EXTENSION	£113.00	1
12	PFKL728233	63700S2A310ZZ	PANEL COMP., L. RR. FENDER	£674.71	1
14	PFKL728579	63910S2A000ZZ	LID COMP., FUEL FILLER	£83.32	1
15	PFKL753265	66100S2AG03ZZ	PANEL COMP., RR.	£320.73	1
16	PFKL753479	66118S2A300ZZ	STIFFENER, RR. BUMPER FACE CENTER	£38.58	1
17	PFKL753491	66119S0A300ZZ	STIFFENER, R. RR. BUMPER SIDE	£26.71	1
18	PFKL753896	66169S0A300ZZ	STIFFENER, L. RR. BUMPER SIDE	£26.71	1
19	PFKL754988	66510S2A305ZZ	FRAME COMP., RR. WINDSHIELD LOWER	£501.12	1
20	PFKL763268	70494SE0000	SPRING, FUEL LID OPENER	£6.77	1
21	PFKL763275	70495692000	CUSHION, FUEL FILLER LID	£3.96	2
22	PFKL792834	73219693951	SEAL, FUEL LID OPENER (GREEN)	£3.20	1
23	PFKL801618	74411S2A000	CABLE, FUEL LID OPENER	£68.32	1
24	PFKL801640	74412S2A000	BRACKET, FUEL LID OPENER	£13.88	1
25	PFKL801674	74423SZ3003	HOLDER, FUEL CAP	£9.85	1
26	PFKL811913	75450SR3000	OUTLET ASSY., RR. AIR	£47.98	1
27	PFKL811993	75451SP0000	CLIP, RR. AIR OUTLET	£4.19	2
28	PFKL980124	90103SM4010	BOLT, FLANGE, 6X18	£3.64	2
29	PFKL1014645	91902SB2003	CUSHION, WIRE HARNESS (50X100)	£7.65	1

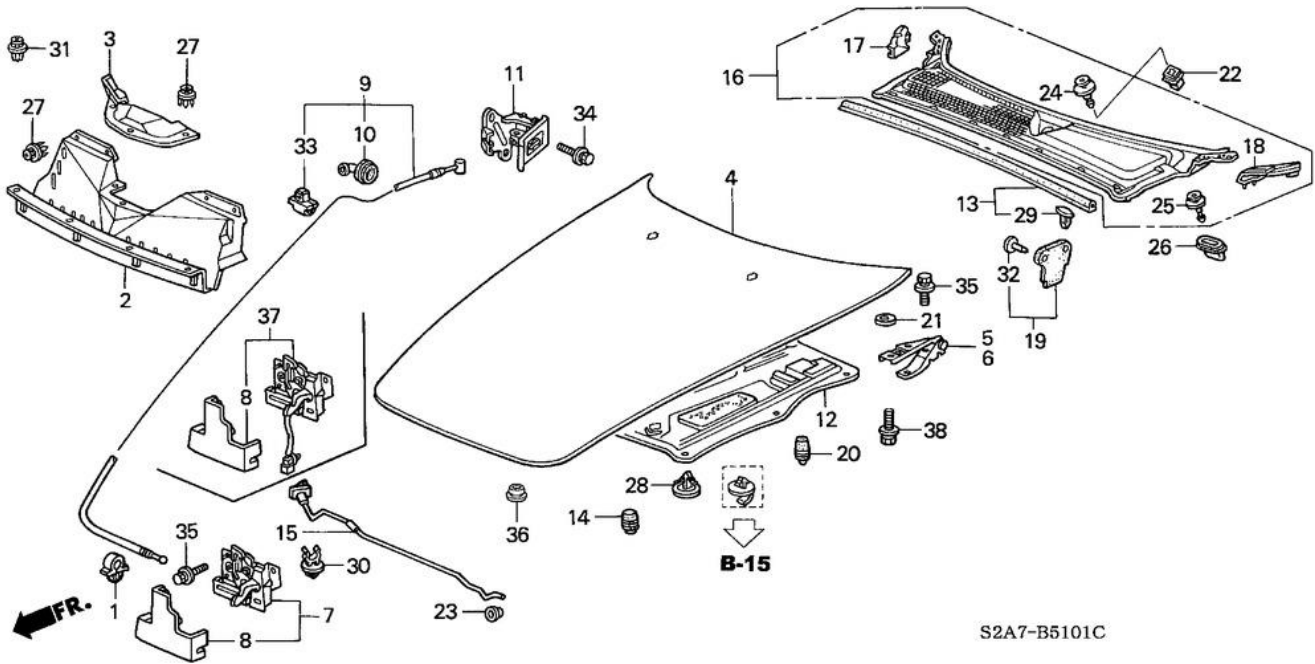
30	PFKL1017149	934010601208	BOLT-WASHER, 6X12	£1.92	2
31	PFKL1028447	957010801608	BOLT, FLANGE, 8X16	£2.21	1
32	PFKL753454	66117S2A300ZZ	BRACKET, R. RR. BUMPER SIDE	£17.32	1
33	PFKL753542	66121S2A300ZZ	BRACKET, R. RR. BUMPER LOWER	£28.86	1
34	PFKL753889	66167S2A300ZZ	BRACKET, L. RR. BUMPER SIDE	£13.69	1
35	PFKL753908	66171S2A300ZZ	BRACKET, L. RR. BUMPER LOWER	£28.86	1
36	PFKL727203	63321S2A310ZZ	EXTENSION, R. RR. FENDER LOWER	£71.92	1
37	PFKL727211	63322S2A310ZZ	REINFORCEMENT, R. RR. FENDER LOWER	£22.57	1
38	PFKL728424	63721S2A310ZZ	EXTENSION, L. RR. FENDER LOWER	£71.92	1
39	PFKL728433	63722S2A310ZZ	REINFORCEMENT, L. RR. FENDER LOWER	£22.57	1

B-50 FRONT FENDERS



Ref	Part No	Honda Part No	Description	Price (Each)	Req Qty
1	PFKL706650	60210S2A020ZZ	PANEL COMP., R. FR. FENDER	£402.99	1
2	PFKL706951	60212S2A000ZZ	STAY, R. FR. FENDER	£30.74	1
3	PFKL707033	60260S2A020ZZ	PANEL COMP., L. FR. FENDER	£402.99	1
4	PFKL707316	60262S2A000ZZ	STAY, L. FR. FENDER	£30.74	1
5	PFKL798272	74100S2A010	FENDER ASSY., R. FR. INNER	£112.39	1
6	PFKL798405	74102S2A000	STRAKE, R. FR.	£31.77	1
7	PFKL798440	74108S2A000	TAPE, STIFFENER (250X130)	£15.86	2
8	PFKL798442	74109S2A000	TAPE, STIFFENER (220X80)	£6.52	2
9	PFKL798532	74111S2A000	SHIELD, FR. SPLASH	£90.76	1
10	PFKL798561	74112S2A010	COVER, FR. UNDER	£91.45	1
11	PFKL799540	74150S2A010	FENDER ASSY., L. FR. INNER	£112.39	1
12	PFKL799679	74152S2A000	STRAKE, L. FR.	£31.77	1
13	PFKL980752	90105SL4000	BOLT-WASHER, 6X20	£7.04	14
14	PFKL981568	90108SF1000	BOLT-WASHER, 6X15	£5.13	6
15	PFKL981599	90108S0A003	BOLT, FLANGE, 6X15	£4.16	18
16	PFKL982812	90114SE0000	SCREW, TAPPING, 5X20	£6.26	4
17	PFKL989828	90305SM4003	NUT, CLIP, 6MM	£5.04	8
18	PFKL999717	90682SN7G00	GROMMET, SCREW, 5MM	£3.38	4
19	PFKL1011843	91503SZ3003	CLIP A, BUMPER	£4.36	12
20	PFKL1011719	91501S04003	CLIP, INNER FENDER	£3.02	34

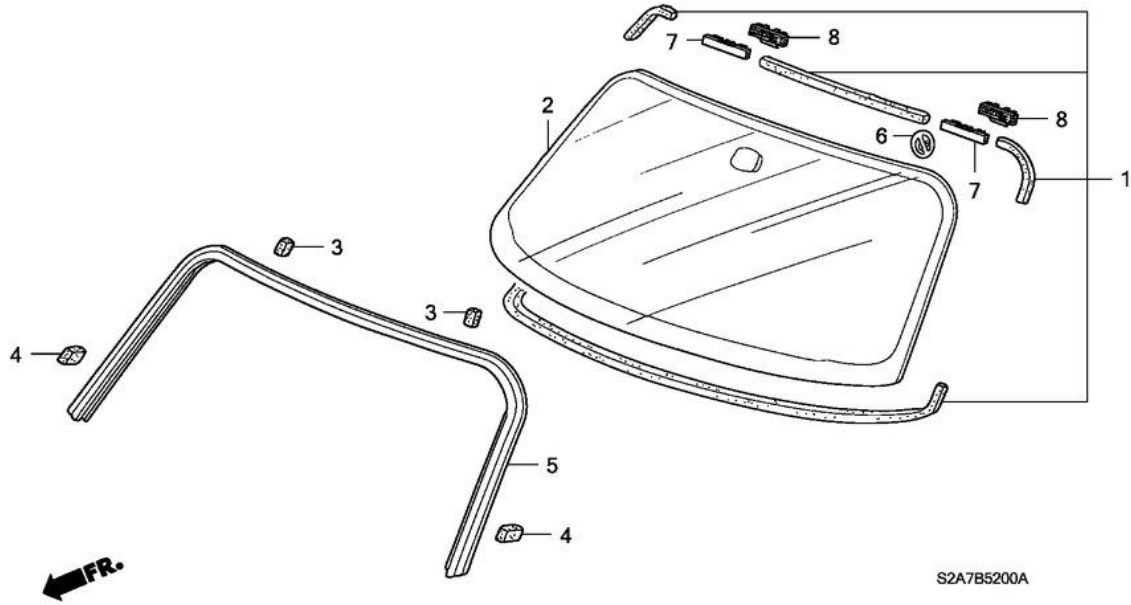
B-51-1 ENGINE HOOD (RH)



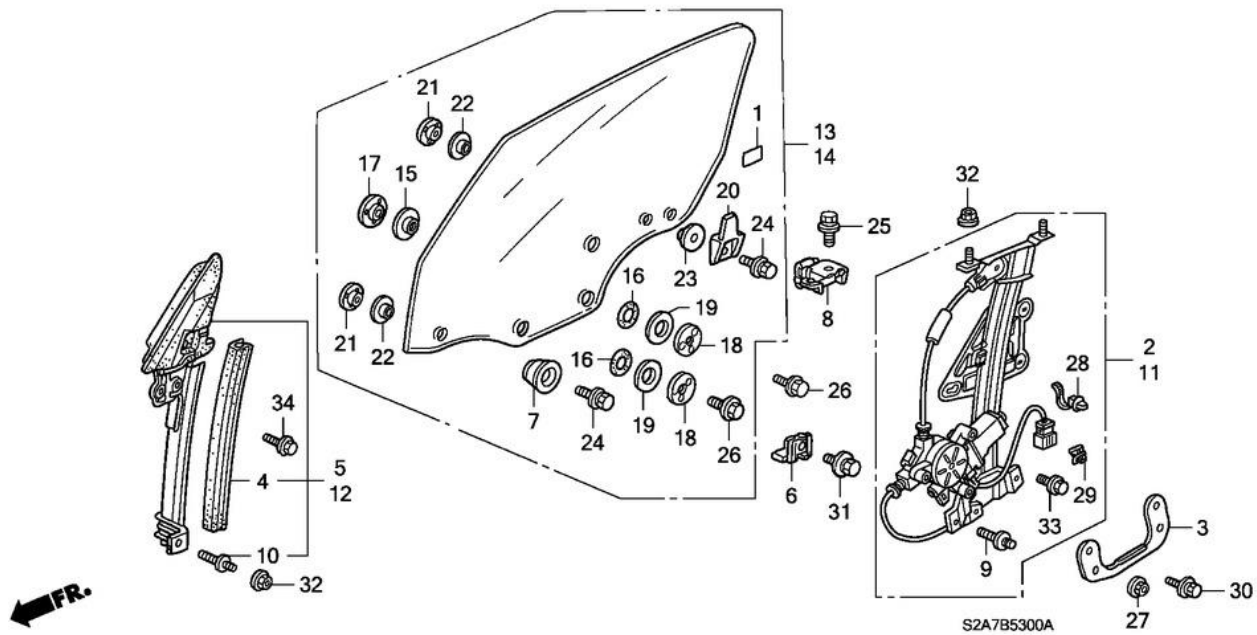
Ref	Part No	Honda Part No	Description	Price (Each)	Req Qty
1	PFKL373425	17706SC3003	CLIP, FUEL PIPE	£5.17	1
2	PFKL407900	19600PCX000	PLATE, AIR GUIDE	£61.74	1
3	PFKL407969	19601PCX000	COVER, AIR GUIDE PLATE	£14.50	1
4	PFKL706299	60100S2A020ZZ	HOOD COMP., ENGINE	£536.50	1
5	PFKL706441	60120S2A000ZZ	HINGE COMP., R. HOOD	£30.02	1
6	PFKL706575	60170S2A000ZZ	HINGE COMP., L. HOOD	£30.02	1
8	PFKL798873	74129SK7000	COVER, HOOD LOCK	£17.15	1
9	PFKL798967	74130S2A003	WIRE ASSY., HOOD	£39.16	1
10	PFKL799018	74134SM4000	GROMMET, HOOD WIRE	£6.70	1
11	PFKL799062	74135SK7003ZC	LEVER COMP., HOOD WIRE *NH167L*	£14.58	1
12	PFKL799194	74141S2A030	INSULATOR, HOOD	£113.36	1
13	PFKL799313	74143S2A000	RUBBER, RR. HOOD SEAL	£15.04	1
14	PFKL799328	74144SE0000	CUSHION, HOOD	£6.98	2
15	PFKL799415	74145S2A000	STAY, HOOD OPENER	£36.23	1
16	PFKL800141	74200S2A000	COWL TOP ASSY.	£354.23	1
17	PFKL800524	74211S2A000	COVER, R. HOOD HINGE	£16.60	1
18	PFKL800891	74261S2A000	COVER, L. HOOD HINGE	£16.60	1
19	PFKL800924	74270S2A000ZB	VALVE, L. DASHBOARD UPPER SIDE DRAIN *NH167L*	£0.00	1
20	PFKL803830	74828ST7900	STOPPER, TAILGATE	£8.69	2
21	PFKL994501	90502S2A305	WASHER, PLAIN, 6MM	£2.32	4
22	PFKL996713	90601S30003	GROMMET, COWL TOP	£3.85	1
23	PFKL996716	90601S84A01	GROMMET, HOOD OPEN STAY	£6.57	1
24	PFKL996886	90602SX0003	CLIP, COWL TOP	£3.62	1
25	PFKL996889	90602S2A003	CLIP, COWL TOP	£5.83	8
26	PFKL997008	90603S2A003	GROMMET, COWL TOP	£3.53	8
27	PFKL999869	90687SB2901ZF	CLIP, AIRSCOOP GRILLE (BLACK)	£3.38	7
28	PFKL1011722	91501S1K003	CLIP, ENGINE HOOD INSULATOR	£3.55	10

29	PFKL1011806	91502S84A11	CLIP, SEAL RUBBER (ORANGE)	£2.93	7
30	PFKL1011839	91503SS0003	HOLDER, ROD	£6.57	1
31	PFKL1011843	91503SZ3003	CLIP A, BUMPER	£4.36	4
32	PFKL1012929	91552SH5003ZF	CLIP, RR. SIDE LINING *NH167L*	£0.00	2
33	PFKL1013189	91558SE3003	CLIP, HOOD WIRE	£6.55	5
34	PFKL1017158	934010601608	BOLT-WASHER, 6X16	£1.39	2
35	PFKL1017383	934040601604	BOLT-WASHER, 6X16	£1.92	7
36	PFKL1027827	9555120000	PLUG, BLIND, 20MM	£5.54	1
37	PFKL798803	74120S2AG03	LOCK ASSY., HOOD	£82.63	1
38	PFKL1017474	934050601605	BOLT-WASHER, 6X16	£2.21	4

B-52 FRONT WINDSHIELD



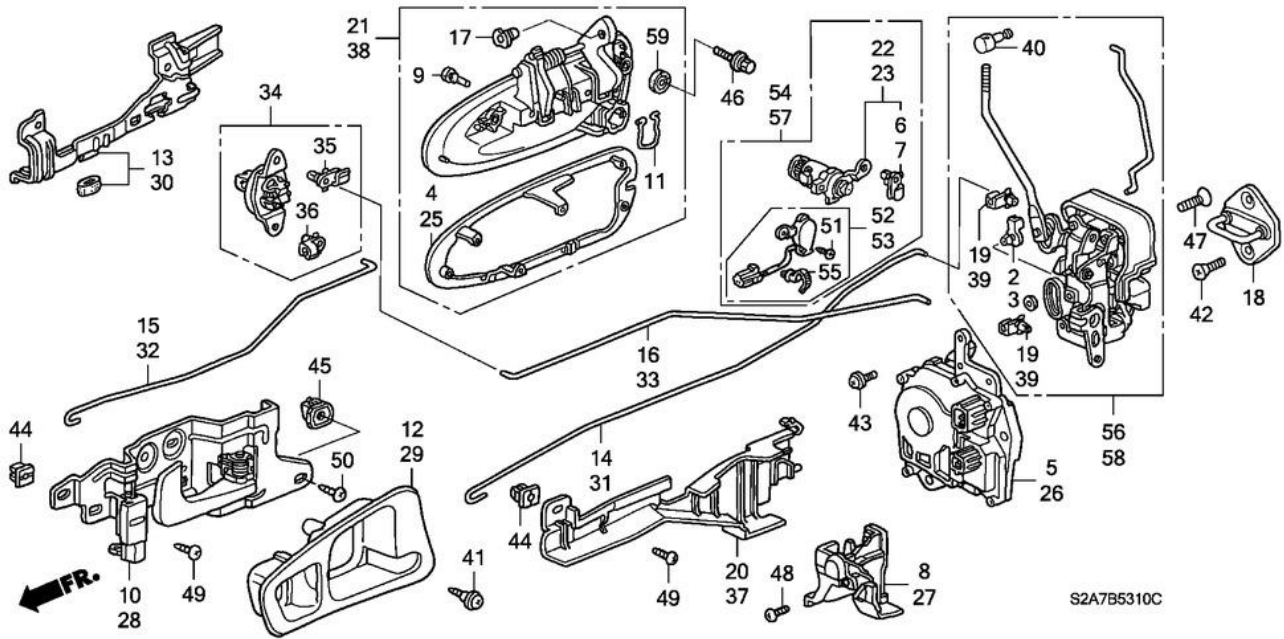
Ref	Part No	Honda Part No	Description	Price (Each)	Req Qty
1	PFKL219189	04731S2A000	RUBBER SET, FR. WINDSHIELD DAM	£44.75	1
2	PFKL791578	73111S2AG01	GLASS SET, FR. WINDSHIELD (GREEN) (AGC)	£342.22	1
3	PFKL791674	73122S04000	SEAL A, FR. WINDSHIELD MOLDING	£5.35	2
4	PFKL791772	73127S2A003	SEAL, FR. WINDSHIELD MOLDING SIDE	£7.71	2
5	PFKL791926	73150S2A013	MOLDING, FR. WINDSHIELD	£170.35	1
6	PFKL861974	78527S04E80	LABEL, SRS CAUTION (CHILD SEAT)	£7.71	1
7	PFKL1013541	91568SX0003	FASTENER A, WINDSHIELD	£10.47	2
8	PFKL1013557	91569SX0013	FASTENER B, WINDSHIELD	£10.20	2



Ref	Part No	Honda Part No	Description	Price (Each)	Req Qty
1	PFKL572239	39885S5AG11	LABEL, IMMOBILIZER & SECURITY	£5.09	2
2	PFKL782091	72210S2AJ02	REGULATOR ASSY., R. DOOR	£325.01	1
3	PFKL782253	72212S2A000	PATCH, FR. DOOR REGULATOR LOWER	£0.00	2
4	PFKL782763	72235S2A013	RUNCHANNEL, FR. DOOR	£23.98	2
5	PFKL782822	72240S2A023	HOLDER ASSY., R. FR. SASH	£152.01	1
6	PFKL782840	72245ST8A00	PLATE, DOOR GLASS STOPPER	£0.00	4
7	PFKL782842	72246SG0003	STOPPER, DOOR GLASS UPPER	£7.77	4
8	PFKL782847	72246SL4003	STABILIZER, DOOR PANEL	£0.00	2
9	PFKL782871	72249SK7000	BOLT, DOOR ADJUST	£0.00	4
10	PFKL782873	72249SW5000	BOLT, DOOR ADJUST	£0.00	2
11	PFKL783082	72250S2AJ02	REGULATOR ASSY., L. DOOR	£325.01	1
12	PFKL783629	72280S2A023	HOLDER ASSY., L. FR. SASH	£152.01	1
13	PFKL793611	73300S2AE10	GLASS ASSY., R. DOOR (GREEN) (AGC)	£205.42	1
14	PFKL794055	73350S2AE10	GLASS ASSY., L. DOOR (GREEN) (AGC)	£205.42	1
15	PFKL795162	73572SK8003	WASHER, DOOR GLASS (A) (BLACK)	£0.00	6
16	PFKL795163	73573SK8003	WASHER B, DOOR GLASS (WHITE)	£0.00	6
17	PFKL795164	73574SK8000	NUT, GLASS PLATE	£6.79	6
18	PFKL795170	73594SK8000	BOLT, DOOR GLASS TIE	£0.00	6
19	PFKL795377	73804SK8000	WASHER, DOOR GLASS	£0.00	6
20	PFKL809707	75316S2A000	STABILIZER, DOOR GLASS	£0.00	2
21	PFKL809710	75318SB2000	NUT, DOOR GLASS STOPPER	£7.34	6
22	PFKL809711	75318SK7003	WASHER, DOOR GLASS (B) (BLACK)	£4.14	6
23	PFKL809717	75319SK7003	WASHER, DOOR GLASS (A) (NATURAL)	£0.00	2
24	PFKL974024	90001SB2000	BOLT-WASHER, 6X17	£0.00	6
25	PFKL980139	90103S2A000	BOLT-WASHER, 8X16	£0.00	2
26	PFKL986864	90158SW5000	BOLT, DOOR GLASS	£0.00	6
27	PFKL989325	90302SD2003	NUT-WASHER, 8MM	£2.75	4

28	PFKL1012593	91540SV4003	CLIP, HARNESS BAND (NATURAL) (145.2MM)	£6.25	2
29	PFKL1013670	91580SM4003	CLIP, COUPLER (ORANGE)	£4.93	2
30	PFKL1017467	934050601208	BOLT-WASHER, 6X12	£2.21	4
31	PFKL1017504	934050801608	BOLT-WASHER, 8X16	£2.14	4
32	PFKL1021374	9407108050	NUT-WASHER, 8MM	£1.92	6
33	PFKL1028254	957010601208	BOLT, FLANGE, 6X12	£1.92	6
34	PFKL1028277	957010601608	BOLT, FLANGE, 6X16	£1.92	4

B-53-10 DOOR LOCKS/OUTER HANDLE

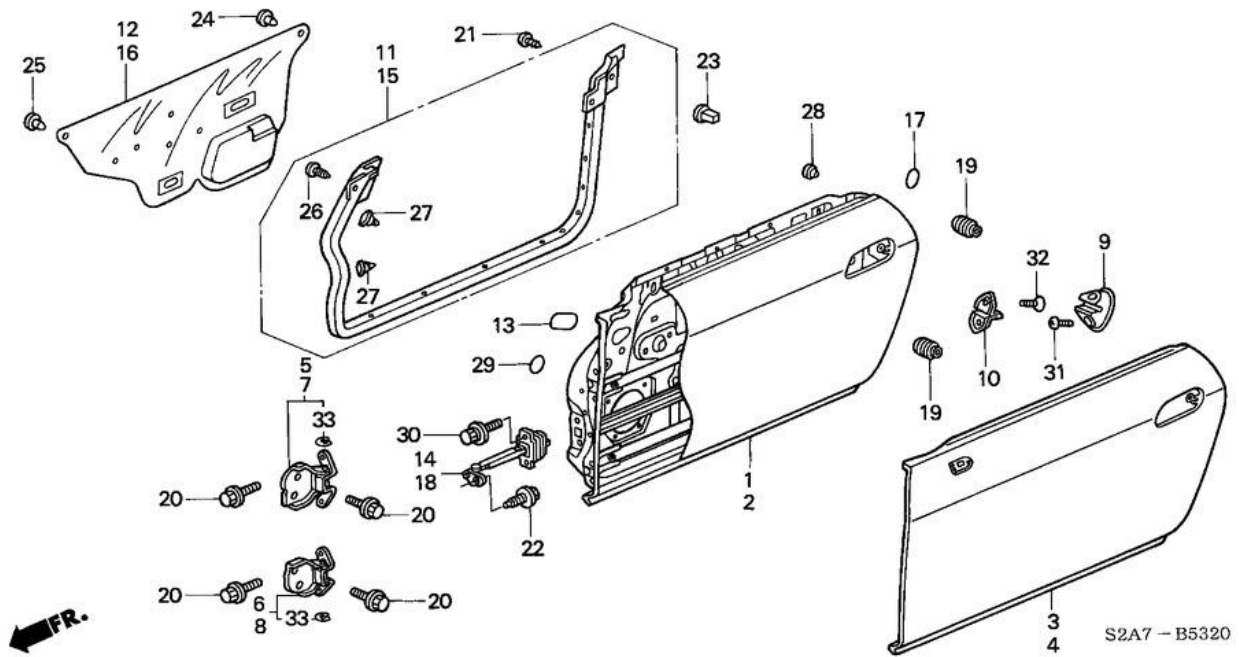


Ref	Part No	Honda Part No	Description	Price (Each)	Req Qty
2	PFKL775919	72112SR4004	SNAP (BROWN)	£3.42	1
3	PFKL775929	72113SR4004	SNAP (BLACK)	£4.27	1
4	PFKL775939	72114S86K01	SEAT, R. OUTSIDE HANDLE	£0.00	1
5	PFKL776005	72115S84A11	ACTUATOR ASSY., DOOR LOCK	£116.29	1
6	PFKL776031	72116S04003	HOLDER, ROD (SKY BLUE)	£7.14	1
7	PFKL776055	72117S04003	HOLDER, ROD (YELLOW)	£7.14	1
8	PFKL776060	72117S2A003	PROTECTOR, R. FR. DOOR LOCK	£10.31	1
9	PFKL776089	72119SM1003	STOPPER A, OUTSIDE HANDLE	£0.00	4
10	PFKL776286	72120S2AJ01ZA	HANDLE ASSY., R. INSIDE *NH474L*	£57.35	1
11	PFKL776417	72123SR0003	RING, OUTSIDE HANDLE	£5.71	2
12	PFKL776520	72125SR0A02ZB	CASE, R. INSIDE *NH167L*	£9.26	1
13	PFKL776677	72130S84A00	PROTECTOR, R. FR. DOOR OUTER HANDLE	£13.12	1
14	PFKL776735	72131S2A013	ROD, R. FR. INSIDE HANDLE	£9.33	1
15	PFKL776773	72132S2A023	ROD A, R. FR. INSIDE LOCK	£8.09	1
16	PFKL776796	72133S2A013	ROD, R. RR. INSIDE LOCK	£8.09	1
17	PFKL776804	72134SM1003	BUSH, OUTSIDE HANDLE JOINT	£4.16	2
18	PFKL776823	72135S2A003	STRIKER ASSY., DOOR LOCK	£13.97	2
19	PFKL776930	72139SR0A01	SNAP (VIOLET)	£3.53	2
20	PFKL776947	72139S2AA01	PROTECTOR, R. FR. DOOR ROD	£12.46	1
21	PFKL778169	72140S86K02YV	HANDLE ASSY., R. FR. DOOR OUTSIDE *YR536P*	£0.00	1
21	PFKL778170	72140S86K02YW	HANDLE ASSY., R. FR. DOOR OUTSIDE *B523P*	£0.00	1
21	PFKL778168	72140S86K02YU	HANDLE ASSY., R. FR. DOOR OUTSIDE *R508P*	£0.00	1
21	PFKL778167	72140S86K02YT	HANDLE ASSY., R. FR. DOOR OUTSIDE *NH609P*	£0.00	1
21	PFKL778165	72140S86K02YR	HANDLE ASSY., R. FR. DOOR OUTSIDE *B513M*	£0.00	1
21	PFKL778163	72140S86K02YD	HANDLE ASSY., R. FR. DOOR OUTSIDE *R510*	£63.35	1
21	PFKL778162	72140S86K02YC	HANDLE ASSY., R. FR. DOOR OUTSIDE *NH630M*	£93.91	1
21	PFKL778160	72140S86K02YA	HANDLE ASSY., R. FR. DOOR OUTSIDE *NH547*	£63.35	1

21	PFKL778158	72140S86K02A4	HANDLE ASSY., R. FR. DOOR OUTSIDE *YR564M*	£0.00	1
21	PFKL778157	72140S86K02A3	HANDLE ASSY., R. FR. DOOR OUTSIDE *B545P*	£82.08	1
21	PFKL778156	72140S86K02A2	HANDLE ASSY., R. FR. DOOR OUTSIDE *Y65P*	£0.00	1
21	PFKL778171	72140S86K02YY	HANDLE ASSY., R. FR. DOOR OUTSIDE *NH676M*	£63.35	1
23	PFKL778801	72146S0XA51	CYLINDER, L. DOOR	£105.50	1
25	PFKL779469	72154S86K01	SEAT, L. OUTSIDE HANDLE	£0.00	1
26	PFKL779534	72155S84A11	ACTUATOR ASSY., L. FR. DOOR LOCK	£116.29	1
27	PFKL779580	72157S2A003	PROTECTOR, L. FR. DOOR LOCK	£10.31	1
28	PFKL779777	72160S2AJ01ZA	HANDLE ASSY., L. INSIDE *NH474L*	£57.35	1
29	PFKL779956	72165SR0A02ZB	CASE, L. INSIDE *NH167L*	£9.26	1
30	PFKL780075	72170S84A00	PROTECTOR, L. FR. DOOR OUTER HANDLE	£13.12	1
31	PFKL780116	72171S2A013	ROD, L. FR. INSIDE HANDLE	£0.00	1
32	PFKL780149	72172S2A023	ROD A, L. FR. INSIDE LOCK	£0.00	1
33	PFKL780167	72173S2A013	ROD, L. RR. INSIDE LOCK	£0.00	1
34	PFKL780180	72175S03003	CRANK ASSY., LOCK ROD	£9.27	2
35	PFKL780184	72176S03003	HOLDER, 3.5MM	£6.50	2
36	PFKL780185	72177S03003	HOLDER, 4.0MM	£6.50	2
37	PFKL780199	72179S2AA01	PROTECTOR, L. FR. DOOR ROD	£0.00	1
38	PFKL781529	72180S86K02YY	HANDLE ASSY., L. FR. DOOR OUTSIDE *NH676M*	£82.08	1
38	PFKL781521	72180S86K02YD	HANDLE ASSY., L. FR. DOOR OUTSIDE *R510*	£63.35	1
38	PFKL781523	72180S86K02YR	HANDLE ASSY., L. FR. DOOR OUTSIDE *B513M*	£0.00	1
38	PFKL781525	72180S86K02YT	HANDLE ASSY., L. FR. DOOR OUTSIDE *NH609P*	£63.35	1
38	PFKL781526	72180S86K02YU	HANDLE ASSY., L. FR. DOOR OUTSIDE *R508P*	£0.00	1
38	PFKL781527	72180S86K02YV	HANDLE ASSY., L. FR. DOOR OUTSIDE *YR536P*	£0.00	1
38	PFKL781528	72180S86K02YW	HANDLE ASSY., L. FR. DOOR OUTSIDE *B523P*	£0.00	1
38	PFKL781520	72180S86K02YC	HANDLE ASSY., L. FR. DOOR OUTSIDE *NH630M*	£0.00	1
38	PFKL781516	72180S86K02A4	HANDLE ASSY., L. FR. DOOR OUTSIDE *YR564M*	£0.00	1
38	PFKL781515	72180S86K02A3	HANDLE ASSY., L. FR. DOOR OUTSIDE *B545P*	£0.00	1
38	PFKL781514	72180S86K02A2	HANDLE ASSY., L. FR. DOOR OUTSIDE *Y65P*	£0.00	1
38	PFKL781518	72180S86K02YA	HANDLE ASSY., L. FR. DOOR OUTSIDE *NH547*	£93.92	1
39	PFKL786801	72616SM4003	SNAP (NATURAL)	£4.52	2
40	PFKL811806	75411634000	JOINT	£5.62	2
41	PFKL983725	90120SM4000	SCREW, TAPPING	£2.50	2
42	PFKL983729	90120SV4000	BOLT, LOCK STRIKER	£4.57	4
43	PFKL985930	90141S84003	SCREW, 3X10	£2.66	4
44	PFKL998382	90662SB2003	GROMMET, SCREW, 5MM	£4.95	6
45	PFKL1014372	91626SP0003	GROMMET, SCREW, 5MM	£8.24	2
46	PFKL1017293	934030601208	BOLT-WASHER, 6X12	£2.21	4
47	PFKL1019121	93600060280A	SCREW, FLAT, 6X28	£1.92	6
48	PFKL1020166	9390122120	SCREW, TAPPING, 3X8	£1.49	2
49	PFKL1020653	9390345220	SCREW, TAPPING, 5X12	£1.49	6
50	PFKL1020668	9390345520	SCREW, TAPPING, 5X25	£1.56	2
51	PFKL776080	72118ST7003	SCREW, TAPPING, 3X5	£4.18	1
52	PFKL778310	72142S2AE01	SWITCH ASSY., R. DOOR CYLINDER	£99.60	1
55	PFKL1012597	91540S30003	CLIP, HARNESS BAND (NATURAL) (151.5MM)	£5.51	4
56	PFKL775902	72111S2A013	LOCK ASSY., R. FR. DOOR	£89.72	1

57	PFKL778621	72145S2AE01	CYLINDER, R. DOOR	£122.41	1
58	PFKL779453	72151S2A013	LOCK ASSY., L. FR. DOOR	£89.72	1
59	PFKL778420	72143S04003	PACKING	£3.65	4

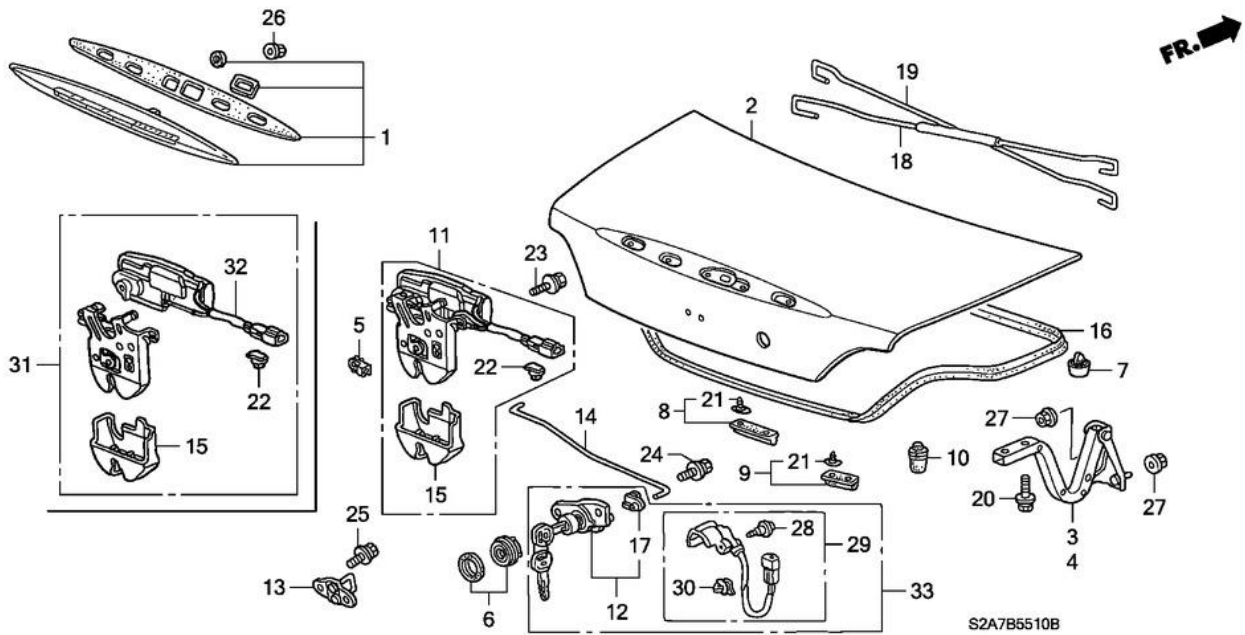
B-53-20 DOOR PANELS



Ref	Part No	Honda Part No	Description	Price (Each)	Req Qty
1	PFKL756876	67010S2AA93ZZ	PANEL COMP., R. FR. DOOR	£523.50	1
2	PFKL757265	67050S2AA93ZZ	PANEL COMP., L. FR. DOOR	£523.50	1
3	PFKL757524	67111S2A335ZZ	SKIN, R. FR. DOOR	£276.56	1
4	PFKL757681	67151S2A335ZZ	SKIN, L. FR. DOOR	£276.56	1
5	PFKL758405	67410S2A003ZZ	HINGE, R. FR. DOOR UPPER	£39.99	1
6	PFKL758435	67420S2A003ZZ	HINGE, R. FR. DOOR LOWER	£39.99	1
7	PFKL758484	67450S2A003ZZ	HINGE, L. FR. DOOR UPPER	£39.99	1
8	PFKL758514	67460S2A003ZZ	HINGE, L. FR. DOOR LOWER	£39.99	1
9	PFKL778343	72143SR2010	RUBBER, DOOR WEDGE	£18.86	2
10	PFKL778451	72144SR2010	WEDGE, DOOR	£11.95	2
11	PFKL783756	72310S2A023	WEATHERSTRIP, R. DOOR	£92.50	1
12	PFKL784129	72321S2A000	SEAL, R. FR. DOOR HOLE	£29.35	1
13	PFKL784272	72327SS0000	SEAL, DOOR UPPER HOLE	£3.01	2
14	PFKL784431	72340S2A003	CHECKER COMP., R. DOOR	£46.94	1
15	PFKL784557	72350S2A023	WEATHERSTRIP, L. DOOR	£92.50	1
16	PFKL784887	72361S2A000	SEAL, L. FR. DOOR HOLE	£29.35	1
17	PFKL785002	72367SF4000	SEAL, DOOR PANEL	£3.37	2
18	PFKL785094	72380S2A003	CHECKER COMP., L. DOOR	£43.97	1
19	PFKL818855	75891SA7000	STOPPER, DOOR	£4.82	4
20	PFKL979337	90101SZ3000	BOLT, FLANGE, 8X22 (8.5MM)	£8.51	16
21	PFKL985755	90137SD2003	SCREW, TAPPING, 4X12 (SUS)	£6.03	4
22	PFKL985925	90141S04000	BOLT, FLANGE, 8X22	£5.31	2
23	PFKL998552	90665SM4000	GROMMET, SCREW, 4MM (YELLOW)	£2.74	4
24	PFKL999849	90686692003	CAP, LINING MOUNT	£4.41	2
25	PFKL1013402	91562SM4013	GROMMET, DOOR LINING	£4.59	2
26	PFKL1013511	91567SR2013	CLIP	£3.46	4

27	PFKL1013537	91568SR2003	CLIP, DOOR WEATHERSTRIP	£4.81	34
28	PFKL1014068	91601SB4000	STOPPER, DOOR	£6.07	2
29	PFKL1014529	91657SP0000	SEAL C, DOOR PANEL HOLE (25MM)	£2.03	2
30	PFKL1017477	934050601608	BOLT-WASHER, 6X16	£2.38	4
31	PFKL1018747	93500060200A	SCREW, PAN, 6X20	£1.56	4
32	PFKL1019090	93600060160A	SCREW, FLAT, 6X16	£1.56	4
33	PFKL1022090	9454006014	E-RING, 6MM	£2.90	4

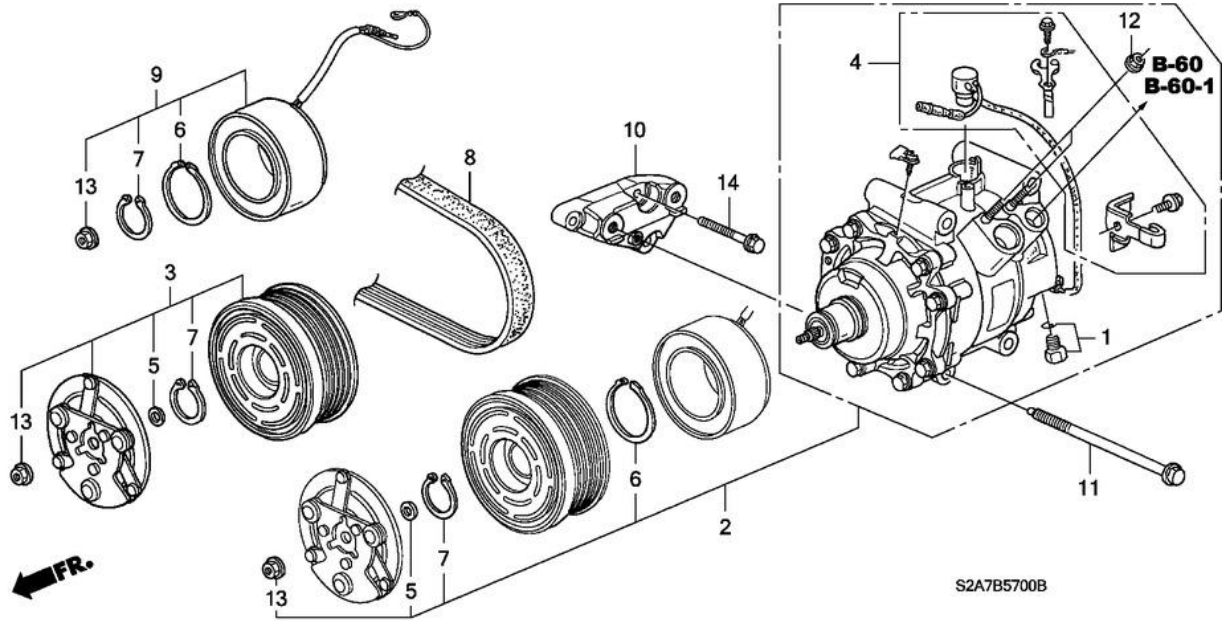
B-55-10 TRUNK LID



Ref	Part No	Honda Part No	Description	Price (Each)	Req Qty
1	PFKL517984	34270S2AJ01	LAMP ASSY., HIGH MOUNT STOP	£476.75	1
2	PFKL760601	68500S2AA90ZZ	LID COMP., TRUNK	£488.22	1
3	PFKL760707	68610S2A010ZZ	HINGE COMP., R. TRUNK	£47.52	1
4	PFKL760765	68660S2A010ZZ	HINGE COMP., L. TRUNK	£47.52	1
5	PFKL776805	72134SM4003	SNAP, R. (VIOLET)	£2.90	1
6	PFKL803379	74815S2A003ZU	GARNISH, TRUNK CYLINDER *YR564M*	£0.00	1
6	PFKL803378	74815S2A003ZT	GARNISH, TRUNK CYLINDER *B545P*	£0.00	1
6	PFKL803377	74815S2A003ZS	GARNISH, TRUNK CYLINDER *Y65P*	£0.00	1
6	PFKL803376	74815S2A003ZR	GARNISH, TRUNK CYLINDER *NH676M*	£13.09	1
6	PFKL803375	74815S2A003ZP	GARNISH, TRUNK CYLINDER *B523P*	£0.00	1
6	PFKL803374	74815S2A003ZN	GARNISH, TRUNK CYLINDER *YR536P*	£0.00	1
6	PFKL803373	74815S2A003ZM	GARNISH, TRUNK CYLINDER *R508P*	£0.00	1
6	PFKL803372	74815S2A003ZL	GARNISH, TRUNK CYLINDER *NH609P*	£0.00	1
6	PFKL803370	74815S2A003ZH	GARNISH, TRUNK CYLINDER *B513M*	£0.00	1
6	PFKL803368	74815S2A003ZE	GARNISH, TRUNK CYLINDER *R510*	£0.00	1
6	PFKL803367	74815S2A003ZD	GARNISH, TRUNK CYLINDER *NH630M*	£13.01	1
6	PFKL803365	74815S2A003ZB	GARNISH, TRUNK CYLINDER *NH547*	£13.01	1
7	PFKL803738	74822S2A003	CUSHION, TRUNK HINGE	£4.95	2
8	PFKL803794	74826S2A000	PROTECTOR, RR. COMBINATION	£7.34	2
9	PFKL803795	74826S84A00	PROTECTOR, RR. COMBINATION	£9.15	2
10	PFKL803856	74829S84A00	STOPPER, TRUNK LID	£8.23	2
13	PFKL804277	74862SE3003	STRIKER, TRUNK	£16.78	1
14	PFKL804323	74863S2A003	ROD, TRUNK LOCK	£7.78	1
15	PFKL804348	74864S30003	COVER	£7.00	1
16	PFKL804399	74865S2A010	WEATHERSTRIP, TRUNK LID	£81.46	1
17	PFKL804433	74867SW5003	HOLDER, ROD	£5.60	1
18	PFKL804529	74871S2A010	SPRING, R. TRUNK OPENER	£27.18	1

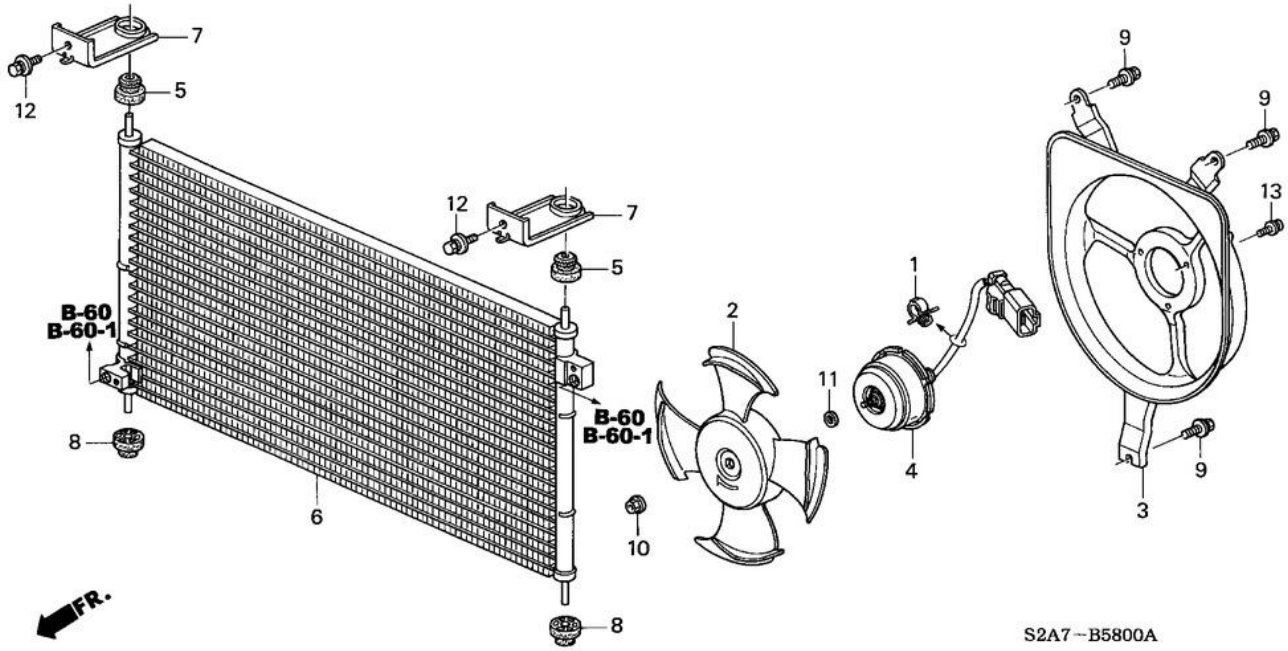
19	PFKL804600	74872S2A000	SPRING, L. TRUNK OPENER	£27.18	1
20	PFKL981788	90109SM4000	BOLT, SPECIAL, 6X35	£4.59	4
21	PFKL1012271	91516SM4013	CLIP, RR. COMBINATION PROTECTOR	£2.61	8
22	PFKL1012516	91533S04003	CLIP, COUPLER (NATURAL)	£2.70	1
23	PFKL1017303	934030601608	BOLT-WASHER, 6X16	£2.21	2
24	PFKL1017311	934030602008	BOLT-WASHER, 6X20	£2.21	2
25	PFKL1017476	934050601607	BOLT-WASHER, 6X16	£2.21	2
26	PFKL1021316	9405005080	NUT, FLANGE, 5MM	£0.50	5
27	PFKL1021373	9407106080	NUT-WASHER, 6MM	£1.92	4
28	PFKL525994	35103S04003	SCREW, RECESSED	£7.51	1
29	PFKL804423	74866S2AG01	SWITCH, TRUNK CYLINDER	£0.00	1
30	PFKL1013081	91555SM4003	CLIP, COUPLER (RED)	£3.15	1
31	PFKL804035	74851S2AG01	LOCK, TRUNK LID (POWER) (SECURITY)	£123.00	1
32	PFKL804074	74856S2AG01	ACTUATOR ASSY., TRUNK	£0.00	1
33	PFKL804248	74861S2AG01	CYLINDER, TRUNK	£79.25	1

B-57 AIR CONDITIONER (COMPRESSOR)



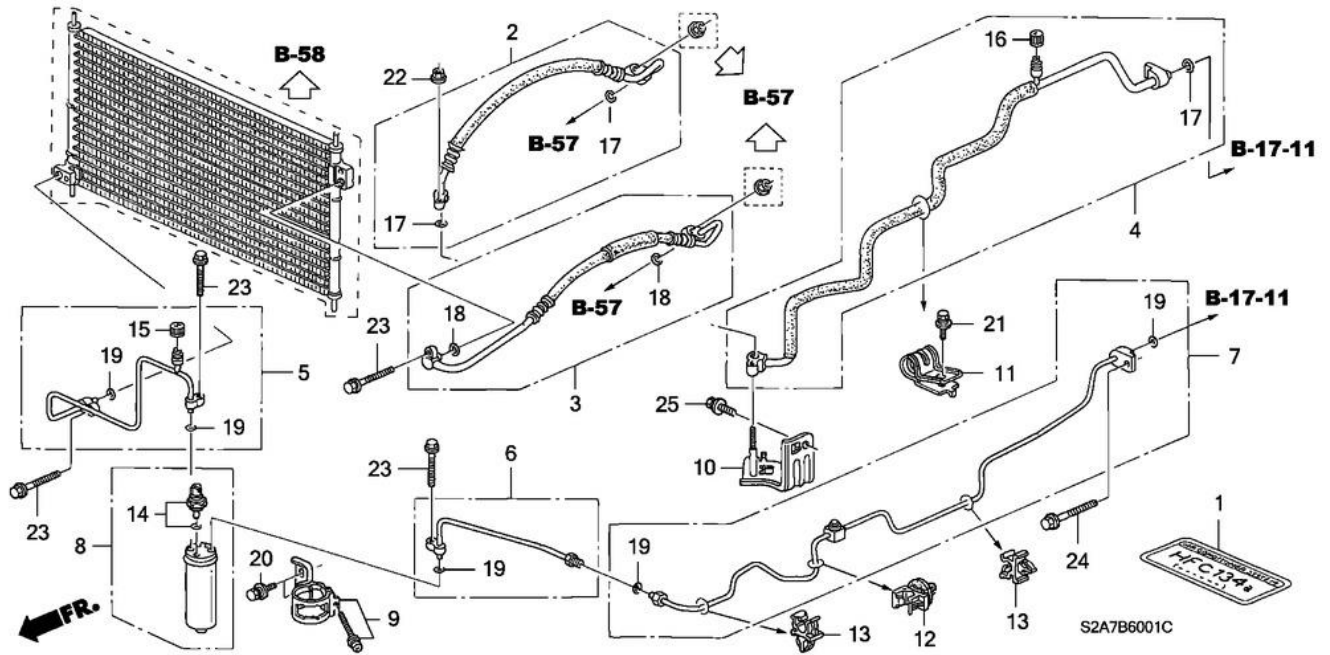
Ref	Part No	Honda Part No	Description	Price (Each)	Req Qty
1	PFKL564277	38801PCA006	VALVE SUB ASSY., SAFETY	£127.93	1
2	PFKL564307	38810PCX016	COMPRESSOR COMP. (KEIHIN)	£1,221.16	1
3	PFKL564719	38900PCX016	CLUTCH SET, MAGNETIC	£343.89	1
4	PFKL564907	38908PCX006	PROTECTOR SET, THERMAL	£145.85	1
5	PFKL565000	38912P06006	SHIM SET	£15.19	1
6	PFKL565008	38913RB0006	CIRCLIP, EXTERNAL, 45MM	£8.09	1
7	PFKL565011	38914P06006	CIRCLIP, EXTERNAL, 35MM	£13.09	1
8	PFKL565040	38920PCX024	BELT, COMPRESSOR	£102.07	1
9	PFKL565367	38924PCX006	COIL SET, SOLENOID	£151.52	1
10	PFKL565510	38930PCX000	BRACKET, COMPRESSOR	£51.10	1
11	PFKL976646	90022PCX000	BOLT, FLANGE, 10X84	£9.73	4
12	PFKL1021328	9405006080	NUT, FLANGE, 6MM	£2.23	2
13	PFKL1021341	9405008080	NUT, FLANGE, 8MM	£2.75	1
14	PFKL1028503	957010803508	BOLT, FLANGE, 8X35	£2.14	3

B-58 AIR CONDITIONER (CONDENSER)



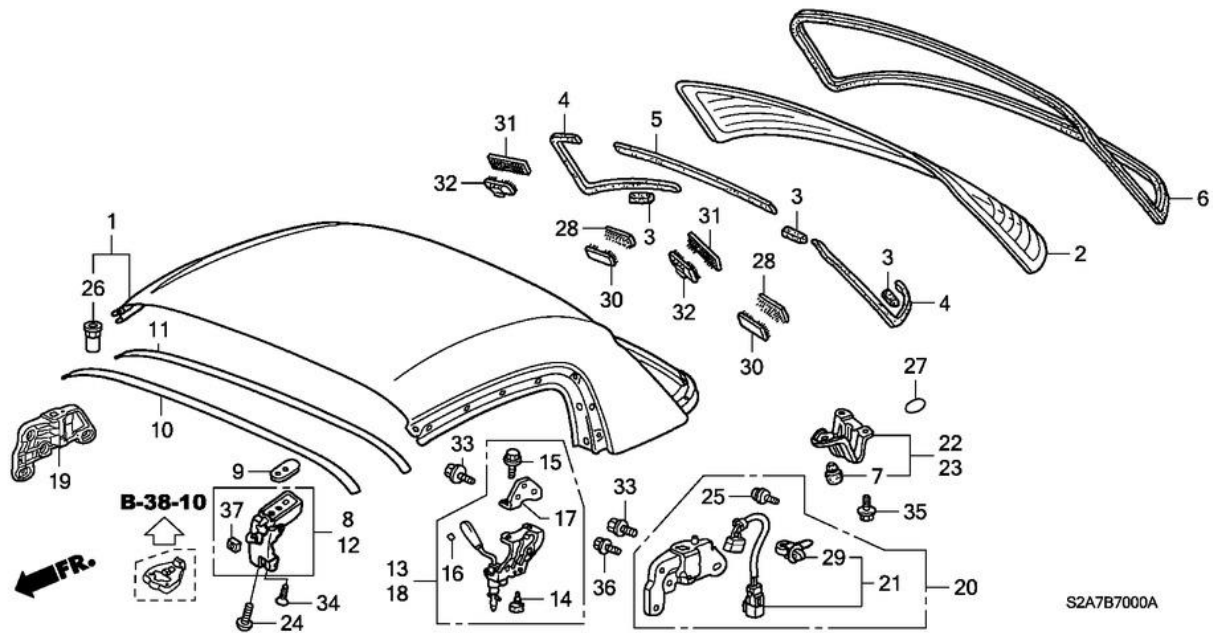
Ref	Part No	Honda Part No	Description	Price (Each)	Req Qty
1	PFKL457900	30701883000	CLIP, WIRE HARNESS	£3.24	1
2	PFKL562959	38611PAAA01	FAN COMP., COOLING (MITSUBA)	£86.28	1
3	PFKL563033	38615PCX010	SHROUD COMP.	£82.28	1
4	PFKL563155	38616PCA004	MOTOR, COOLING FAN	£337.42	1
5	PFKL870433	80107SS0000	MOUNT, CONDENSER UPPER	£8.82	2
6	PFKL871040	80110S2A900	CONDENSER COMP.	£614.89	1
7	PFKL871247	80111S2A000	BRACKET, CONDENSER UPPER	£7.38	2
8	PFKL872883	80175SE0000	MOUNT, CONDENSER	£7.09	2
9	PFKL1017290	934030601204	BOLT-WASHER, 6X12	£2.21	3
10	PFKL977611	90041PAAA01	NUT, TOOTHED, 5MM	£5.78	1
11	PFKL992255	90430PAAA01	WASHER, PLAIN, 8MM	£1.94	1
12	PFKL1017383	934040601604	BOLT-WASHER, 6X16	£1.92	2
13	PFKL1019893	938930400808	SCREW-WASHER, 4X8	£1.92	3

B-60 AIR CONDITIONER (HOSES/PIPES) (RH)



Ref	Part No	Honda Part No	Description	Price (Each)	Req Qty
1	PFKL867035	80050SP0000	LABEL, AIR CONDITIONER CAUTION (HFC134A)	£4.52	1
2	PFKL875292	80311S2A003	HOSE COMP., SUCTION	£216.43	1
3	PFKL875593	80315S2A003	HOSE COMP., DISCHARGE	£230.90	1
4	PFKL875860	80321S2A023	PIPE COMP., SUCTION	£266.50	1
5	PFKL876199	80331S2A901	PIPE, CONDENSER	£248.73	1
6	PFKL876466	80341S2A003	PIPE A, RECEIVER	£86.11	1
7	PFKL876581	80342S2A901	PIPE B, RECEIVER	£179.39	1
8	PFKL876826	80351S2A901	RECEIVER COMP.	£206.18	1
9	PFKL876876	80352S2A900	BRACKET, LIQUID TANK	£0.00	1
10	PFKL876969	80361S2A000	STAY, SUCTION HOSE	£7.78	1
11	PFKL877071	80364SF1000	CLAMP A, SUCTION PIPE	£6.77	1
12	PFKL877257	80381SV7A01	CLAMP, RECEIVER PIPE	£10.54	1
13	PFKL1012468	91531SZ5003	CLIP, TUBE, 3.5	£2.88	2
14	PFKL877663	80440SS0901	SWITCH, DUAL PRESSURE (FUJI)	£63.04	1
14	PFKL877663	80440SS0901	SWITCH, DUAL PRESSURE (SAGINOMIYA)	£63.04	1
15	PFKL879053	80865SL0003	CAP, VALVE (H)	£14.54	1
16	PFKL879075	80866SL0003	CAP, VALVE (L)	£13.97	1
17	PFKL879099	80871ST7000	O-RING (5/8")	£4.84	3
18	PFKL879108	80872ST7000	O-RING (1/2")	£4.54	2
19	PFKL879121	80873ST7000	O-RING, 8MM	£5.36	5
20	PFKL1017300	934030601604	BOLT-WASHER, 6X16	£2.21	2
21	PFKL1017303	934030601608	BOLT-WASHER, 6X16	£2.21	1
22	PFKL1021328	9405006080	NUT, FLANGE, 6MM	£2.23	1
23	PFKL1028314	957010602505	BOLT, FLANGE, 6X25	£2.21	4
24	PFKL1028329	957010603005	BOLT, FLANGE, 6X30	£2.14	1
25	PFKL1017300	934030601604	BOLT-WASHER, 6X16	£2.21	1
25	PFKL1017303	934030601608	BOLT-WASHER, 6X16	£2.21	1

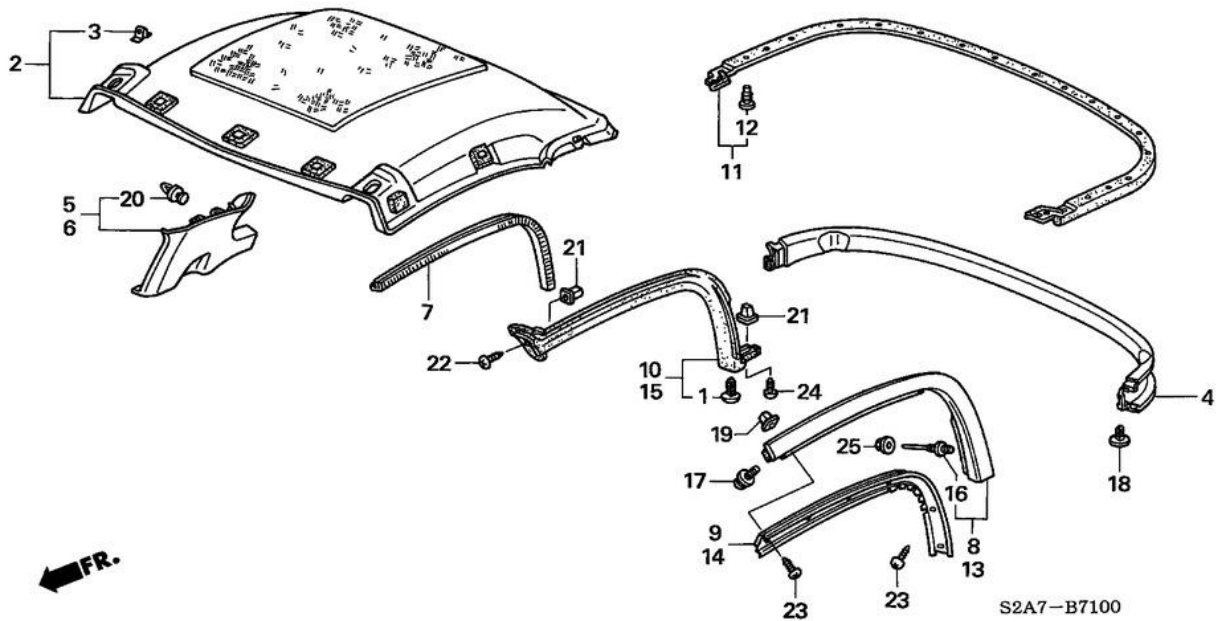
B-70 ROOF PANEL (HARD TOP)



Ref	Part No	Honda Part No	Description	Price (Each)	Req Qty
1	PFKL761195	69100S2A901ZZ	PANEL COMP., HARD TOP	£0.00	1
2	PFKL792738	73211S2A902	GLASS SET, RR. WINDSHIELD (GREEN)(AGC)	£886.92	1
3	PFKL792890	73221S2A000	SPACER, RR. WINDSHIELD	£7.59	3
4	PFKL792911	73224S2A000	RUBBER, RR. WINDSHIELD SIDE DAM	£12.78	2
5	PFKL792946	73225S2A000	RUBBER, RR. WINDSHIELD DAM	£7.33	1
6	PFKL793057	73250S2A903	MOLDING, RR. WINDSHIELD	£184.56	1
7	PFKL2044276	74812S3AJ10	CUSHION, SIDE GATE	£4.68	2
8	PFKL945559	85100S2A901	LOCK ASSY., R. HANDLE	£190.69	1
9	PFKL945579	85101S2A901	SHIM, HARD TOP LOCK	£7.61	6
10	PFKL945624	85123S2A900	TAPE A, FR. ROOF	£62.81	1
11	PFKL945631	85124S2A900	TAPE B, FR. ROOF	£74.09	1
12	PFKL945660	85150S2A901	LOCK ASSY., L. HANDLE	£190.69	1
13	PFKL945710	85200S2A902	LOCK ASSY., R. ROOF SIDE	£249.45	1
14	PFKL945740	85203S2A900	CUSHION, RUBBER	£5.99	2
15	PFKL945743	85205S2A003	BOLT, FLANGE, 8X15	£0.00	4
16	PFKL945744	85206S2A003	MARK, RED	£0.00	2
17	PFKL945745	85207S2A003	PLATE, BASE	£35.90	2
18	PFKL945956	85250S2A902	LOCK ASSY., L. ROOF SIDE	£249.45	1
19	PFKL946207	85300S2A902	CATCHER ASSY., R. BODY SIDE	£465.05	1
20	PFKL946233	85350S2A003	CATCHER ASSY., L. BODY SIDE	£546.86	1
21	PFKL946236	85352S2A003	CATCHER SET, L. BODY SIDE	£0.00	1
22	PFKL946255	85400S2A010	BRACKET, R. RR. WINDSHIELD	£54.85	1
23	PFKL946279	85450S2A010	BRACKET, L. RR. WINDSHIELD	£54.85	1
24	PFKL985930	90141S84003	SCREW, 3X10	£2.66	3
25	PFKL990644	90332SL0013	NUT, POP, 6MM	£14.64	16
26	PFKL1001203	90851SJ4000	SEAL, DOOR HOLE, 20MM	£0.00	6
27	PFKL1012557	91536SS0J01	FASTENER A, WINDSHIELD	£7.60	2

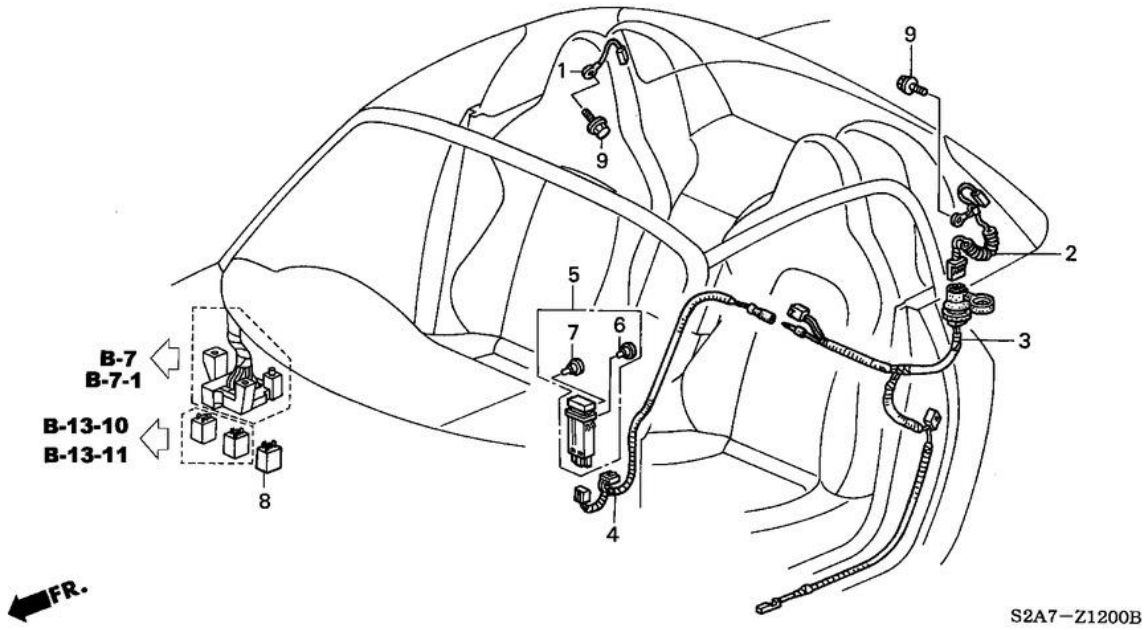
28	PFKL1012593	91540SV4003	CLIP, HARNESS BAND (NATURAL) (145.2MM)	£6.25	1
29	PFKL1013365	91561S04J01	FASTENER B, WINDSHIELD	£7.22	2
30	PFKL1013541	91568SX0003	FASTENER A, WINDSHIELD	£10.47	2
31	PFKL1013557	91569SX0013	FASTENER B, WINDSHIELD	£10.20	2
32	PFKL1013670	91580SM4003	CLIP, COUPLER (ORANGE)	£4.93	1
33	PFKL1017396	934040602008	BOLT-WASHER, 6X20	£1.92	10
34	PFKL1019103	93600060200G	SCREW, FLAT, 6X20	£1.56	2
35	PFKL985286	90131S2AJ00	SCREW, TRUSS, 6X25	£3.87	2
36	PFKL1028276	957010601607	BOLT, FLANGE, 6X16	£1.92	4
37	PFKL1028463	957010802008	BOLT, FLANGE, 8X20	£1.92	4
38	PFKL947337	86251S2A901	RUBBER	£4.57	2

B-71 ROOF LINING (HARD TOP)



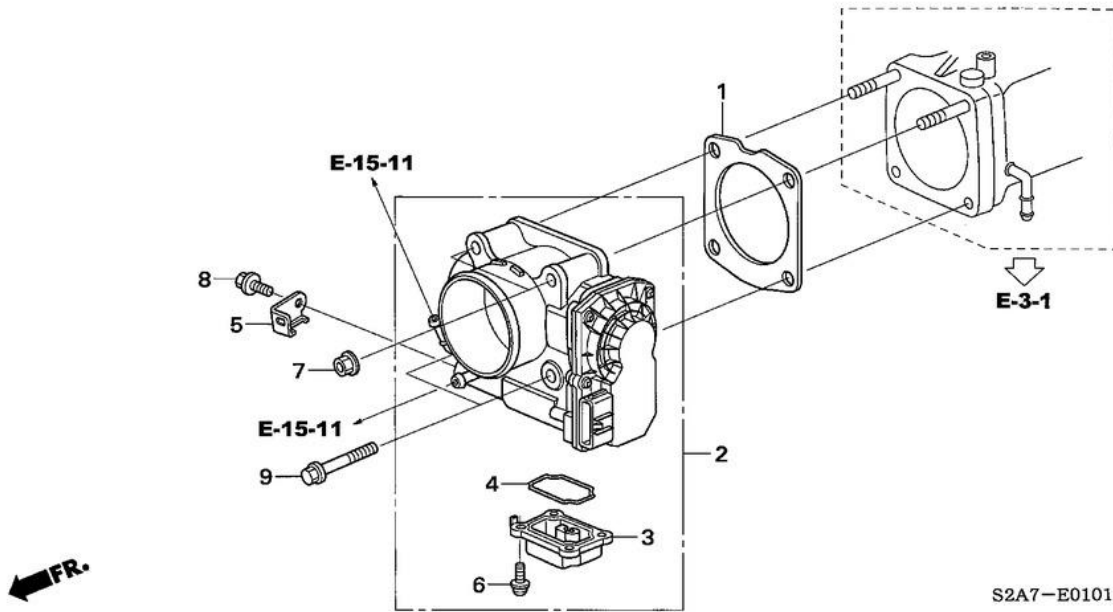
Ref	Part No	Honda Part No	Description	Price (Each)	Req Qty
1	PFKL785152	72384S2A003	CLIP	£0.00	2
2	PFKL907077	83200S2A000ZA	LINING ASSY., ROOF *NH167L*	£0.00	1
3	PFKL907640	83210S2A000ZA	GARNISH ASSY., RR. WINDSHIELD LOWER *NH167L*	£168.64	1
4	PFKL937986	84121S2A010ZA	GARNISH ASSY., R. RR. PILLAR *NH167L*	£85.68	1
5	PFKL939385	84171S2A010ZA	GARNISH ASSY., L. RR. PILLAR *NH167L*	£85.68	1
6	PFKL940401	84231S2A003	TRIM, ROOF SIDE	£15.99	2
7	PFKL945600	85110S2A901	MOLDING ASSY., R. ROOF	£517.89	1
8	PFKL945607	85120S2A901	RETAINER ASSY., R. ROOF	£171.85	1
9	PFKL945640	85130S2A902	WEATHERSTRIP, R. ROOF SIDE DOOR	£151.35	1
10	PFKL945647	85140S2A902	WEATHERSTRIP, HARD TOP LOWER	£494.10	1
11	PFKL945653	85141S2A003	CLIP	£0.00	19
12	PFKL945666	85160S2A901	MOLDING ASSY., L. ROOF	£464.87	1
13	PFKL945673	85170S2A901	RETAINER ASSY., L. ROOF	£171.85	1
14	PFKL945680	85180S2A902	WEATHERSTRIP, L. ROOF SIDE DOOR	£151.35	1
15	PFKL983202	90116SL0003	BOLT, CENTER PILLAR GARNISH STUD	£8.91	4
16	PFKL985578	90134S2A000	SCREW-WASHER, 4X6	£0.00	2
17	PFKL999294	90671S0D003ZK	CLIP, ROOF, 7MM *NH167L*	£3.20	3
18	PFKL1011828	91503SK7013	GROMMET, SCREW (4MM)	£4.73	12
19	PFKL1013305	91560S84A01	CLIP, DOOR LINING (NATURAL)	£4.36	8
20	PFKL1014189	91606S2A003	GROMMET ASSY., HARD TOP WEATHERSTRIP	£5.02	4
21	PFKL1020624	93903442G0	SCREW, TAPPING, 4X10	£1.85	2
22	PFKL1020630	93903443J0	SCREW, TAPPING, 4X12	£2.14	12
23	PFKL1020640	93903445G0	SCREW, TAPPING, 4X20	£1.91	2
24	PFKL1021369	9407105050	NUT-WASHER, 5MM	£1.56	4
25	PFKL907316	83202SZ3000	CLIP, ROOF LINING	£4.27	8

B-72 WIRE HARNESS (HARD TOP)



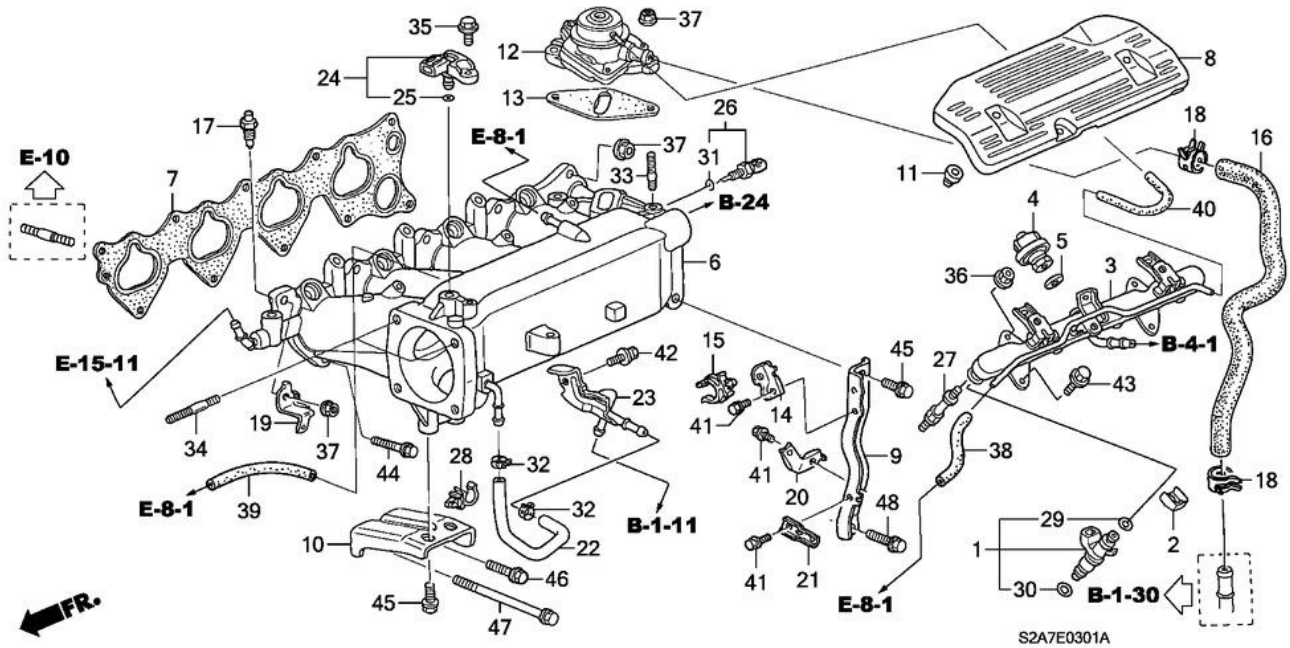
Ref	Part No	Honda Part No	Description	Price (Each)	Req Qty
1	PFKL485759	32202S2A000	CORD, DEFOGGER EARTH	£9.07	1
2	PFKL485772	32203S2A010	CORD, HARD TOP	£113.34	1
3	PFKL485784	32204S2A305	SUB CORD, HARD TOP	£90.71	1
9	PFKL986282	90149SE0003	BOLT, EARTH, 6X16	£5.67	2

E-1-1 THROTTLE BODY ('06-)



Ref	Part No	Honda Part No	Description	Price (Each)	Req Qty
1	PFKL333115	16176RCAA02	GASKET, THROTTLE BODY	£6.81	1
2	PFKL337319	16400PZX003	THROTTLE BODY ASSY. (GMA6A)	£1,147.93	1
3	PFKL337712	16430PZXJ01	CASE COMP., LOWER	£0.00	1
4	PFKL337721	16431PZXJ01	GASKET, LOWER CASE	£0.00	1
5	PFKL483182	32126PCX000	STAY G, ENGINE WIRE HARNESS	£0.00	1
6	PFKL1019722	938920401208	SCREW-WASHER, 4X12	£1.20	4
7	PFKL1021341	9405008080	NUT, FLANGE, 8MM	£2.75	2
8	PFKL1028254	957010601208	BOLT, FLANGE, 6X12	£1.92	1
9	PFKL1028529	957010805008	BOLT, FLANGE, 8X50	£2.38	2

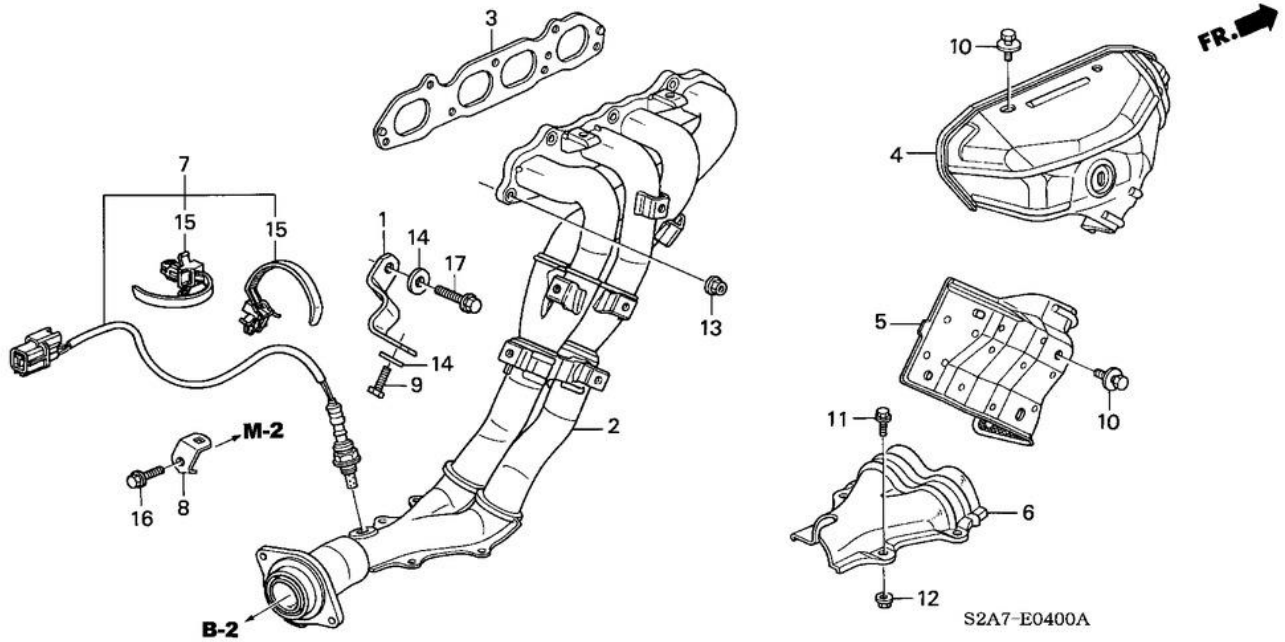
E-3-1 INTAKE MANIFOLD ('06-)



Ref	Part No	Honda Part No	Description	Price (Each)	Req Qty
1	PFKL337817	16450PCXG01	INJECTOR ASSY., FUEL	£309.84	4
2	PFKL337896	16451PLC000	CLIP, INJECTOR	£8.93	4
3	PFKL339638	16610PCXG01	PIPE COMP., FUEL	£0.00	1
4	PFKL340061	16680PZX003	DAMPER ASSY., PULSATION	£48.29	1
5	PFKL340484	16705PD1003	GASKET, SILENCER	£5.36	1
6	PFKL348032	17100PCXG00	MANIFOLD COMP., INTAKE	£1,052.66	1
7	PFKL348317	17105PCX004	GASKET, INTAKE MANIFOLD	£36.65	1
8	PFKL348790	17112PZX000	COVER, INTAKE MANIFOLD	£52.16	1
9	PFKL349054	17125PCX000	STAY A, INTAKE MANIFOLD	£35.13	1
10	PFKL349094	17126PCX010	STAY COMP. B, INTAKE MANIFOLD	£0.00	1
11	PFKL351637	17213P8AA00	RUBBER, INTAKE MANIFOLD COVER MOUNTING	£6.75	3
12	PFKL396585	18780PCXA01	VALVE ASSY., SECOND AIR	£0.00	1
13	PFKL396587	18781PCX000	PACKING, SECOND AIR VALVE	£11.25	1
14	PFKL396613	18792PCX000	STAY, HOSE CLAMP	£0.00	1
15	PFKL396618	18794PCX003	CLAMP A, AIR HOSE	£3.33	1
16	PFKL396637	18799PCX000	HOSE D, SECOND AIR	£29.74	1
17	PFKL407178	19516PC1000	BOLT, BREATHING WATER	£10.17	1
18	PFKL407190	19517KM9000	CLIP, WATER HOSE	£6.75	2
19	PFKL480893	32111PCX000	STAY, CRANK SENSOR	£0.00	1
20	PFKL481246	32115PCX000	STAY D, ENGINE HARNESS	£0.00	1
21	PFKL487876	32413S2A000	BRACKET, STARTER CABLE	£0.00	1
22	PFKL538898	36175PCXJ00	TUBE, PURGE	£7.46	1
23	PFKL538912	36177PCXJ00	PIPE, PURGE	£0.00	1
24	PFKL554480	37830RNAA01	SENSOR ASSY., MAP	£330.93	1
25	PFKL554488	37835PGKA01	O-RING	£7.90	1
26	PFKL554665	37870RTA005	SENSOR ASSY., WATER TEMP (DENSO)	£88.17	1
27	PFKL976945	90027PZX000	BOLT, FUEL PIPE	£0.00	2

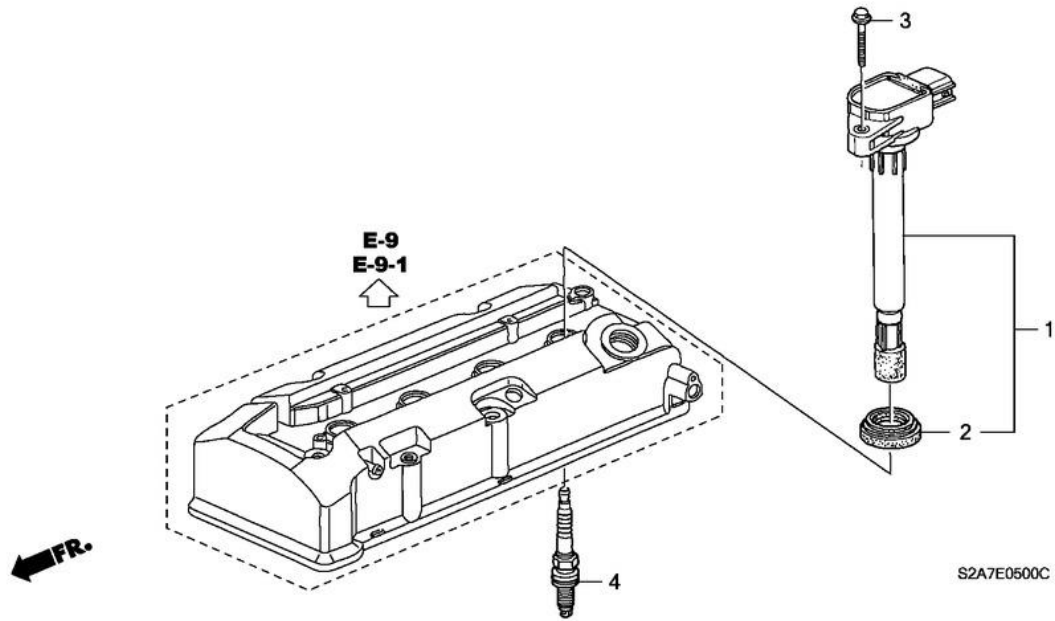
28	PFKL999600	90679679004	CLIP, CABLE	£4.93	1
29	PFKL1008860	91301PLC000	O-RING, 7.47X3.6	£4.05	4
30	PFKL1009139	91302PNA003	O-RING, 7.45X3.61 (NOK)	£2.83	4
31	PFKL1009813	91307RTA005	O-RING (DENSO)	£5.62	1
32	PFKL1011295	91406SAA000	CLAMP, TUBE (D12)	£2.57	2
33	PFKL1016857	92900080221B	BOLT, STUD, 8X22	£2.14	2
34	PFKL1016892	92900080501B	BOLT, STUD, 8X50	£2.70	2
35	PFKL1017282	934030502008	BOLT-WASHER, 5X20	£2.06	1
36	PFKL1021328	9405006080	NUT, FLANGE, 6MM	£2.23	2
37	PFKL1021341	9405008080	NUT, FLANGE, 8MM	£2.75	4
38	PFKL1024674	950053507010	TUBE, 3.5X70 (95005-35001-10M)	£3.11	1
39	PFKL1025311	950053520010S	TUBE, 3.5X120 (95005-35001-10M)	£5.54	1
40	PFKL1024847	950053510010S	TUBE, 3.5X100 (95005-35001-10M)	£2.41	1
41	PFKL1028233	957010600808	BOLT, FLANGE, 6X8	£1.92	3
42	PFKL1028254	957010601208	BOLT, FLANGE, 6X12	£1.92	1
43	PFKL1028277	957010601608	BOLT, FLANGE, 6X16	£1.92	2
44	PFKL1028484	957010802808	BOLT, FLANGE, 8X28	£2.14	8
45	PFKL1028600	957011001608	BOLT, FLANGE, 10X16	£2.14	3
46	PFKL1028618	957011002508	BOLT, FLANGE, 10X25	£2.38	1
47	PFKL1029271	958011008508	BOLT, FLANGE, 10X85	£4.14	1
48	PFKL975018	90007PCX000	BOLT-WASHER, 10X25	£0.00	1

E-4 EXHAUST MANIFOLD



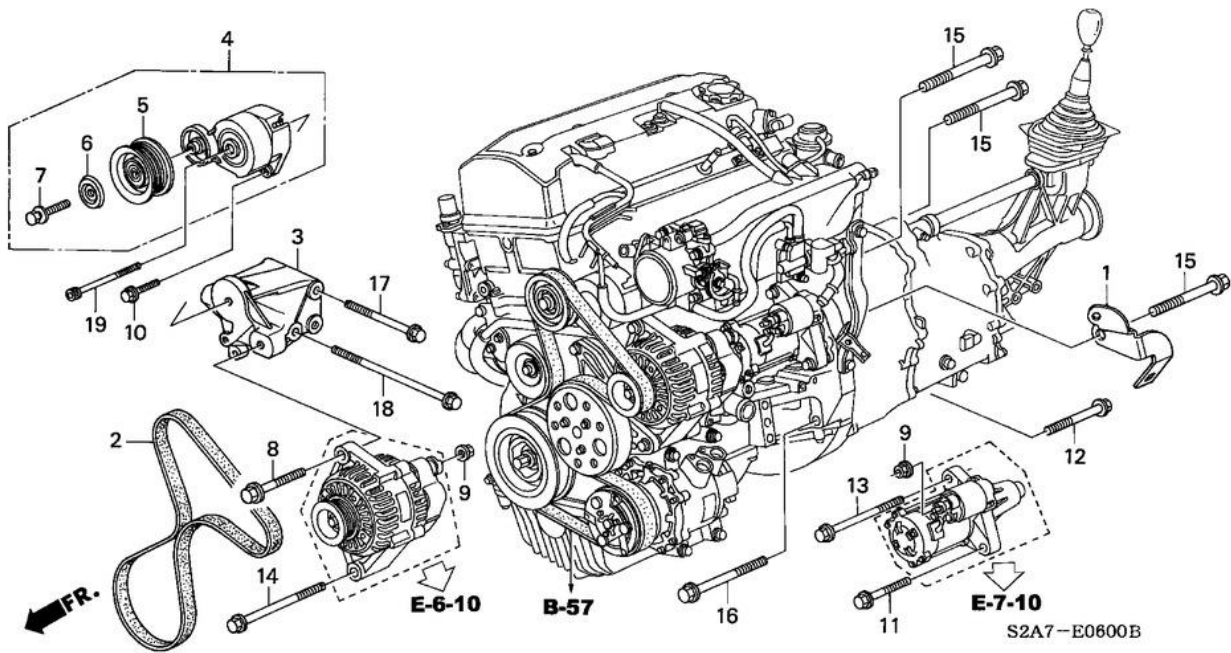
Ref	Part No	Honda Part No	Description	Price (Each)	Req Qty
1	PFKL265648	11941PCX000	STAY A, EX. MANIFOLD	£11.60	1
2	PFKL380850	18100PCX010	MANIFOLD COMP., EX.	£0.00	1
3	PFKL381125	18115PCX014	GASKET, EX. MANIFOLD (NIPPON LEAKLESS)	£32.98	1
4	PFKL381233	18120PCX010	COVER COMP. A, EX. MANIFOLD	£382.76	1
5	PFKL381448	18121PCX000	COVER COMP. B, EX. MANIFOLD	£209.30	1
6	PFKL381490	18122PCX000	COVER COMP. C, EX. MANIFOLD	£81.31	1
7	PFKL539926	36531PZX013	SENSOR, AIR FUEL RATIO	£259.12	1
8	PFKL540141	36533PCX000	STAY, OXYGEN SENSOR	£3.11	1
9	PFKL975337	90010PE2900	BOLT, SPECIAL, 10X22	£8.24	1
10	PFKL976024	90015PT0J00	BOLT-WASHER, 8X14	£3.62	8
11	PFKL976724	90023PR7A01	BOLT, FLANGE, 6X10	£8.17	4
12	PFKL983022	90115SL5A00	NUT, FLANGE, 6MM	£6.52	4
13	PFKL988788	90217657000	NUT, SPECIAL, 8MM	£3.85	7
14	PFKL993016	90451PE2000	WASHER, SPECIAL, 11X28	£8.60	2
15	PFKL1011974	91506P01003	CLIP A, HARNESS BAND (DARK GRAY) (129.4MM)	£4.93	2
16	PFKL1028447	957010801608	BOLT, FLANGE, 8X16	£2.21	1
17	PFKL1028622	957011002808	BOLT, FLANGE, 10X28	£2.26	1

E-5 PLUG HOLE COIL



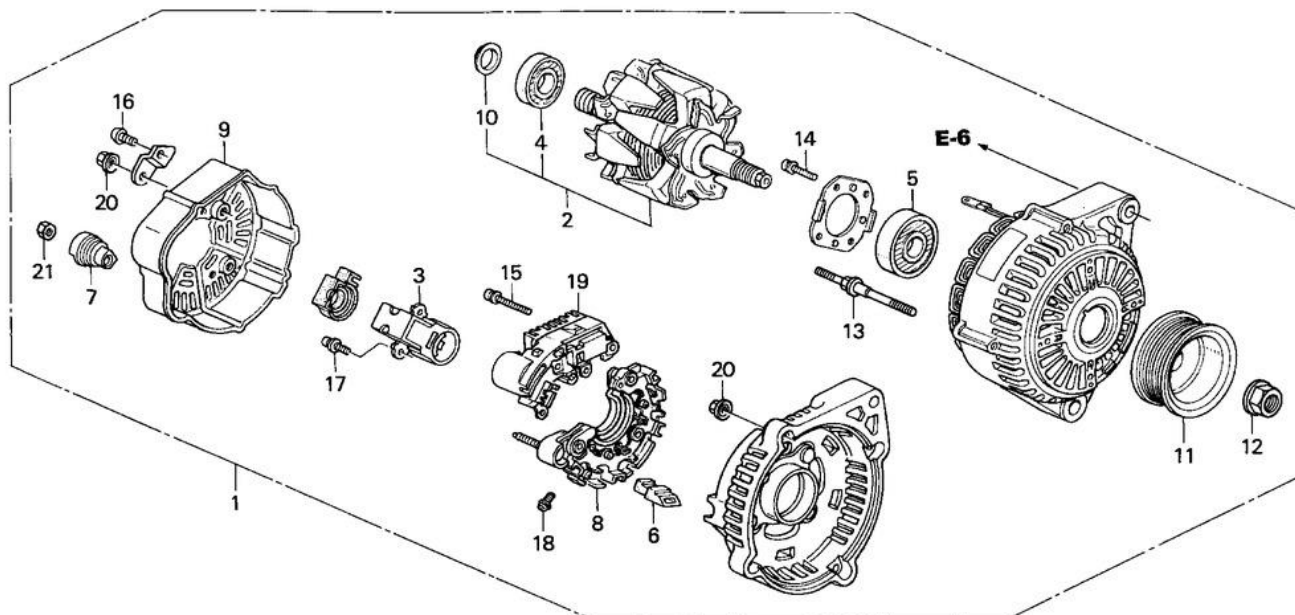
Ref	Part No	Honda Part No	Description	Price (Each)	Req Qty
1	PFKL456977	30520PZX007	COIL COMP., PLUG HOLE	£168.45	4
2	PFKL457003	30522PFB007	SEAL, PLUG HOLE	£7.81	4
3	PFKL1028316	957010602508	BOLT, FLANGE, 6X25	£2.21	4
4	PFKL1031854	98079571BH	PLUG, SPARK (PFR7G-11S) (NGK)	£27.51	4
4	PFKL1031856	98079571CH	PLUG, SPARK (PK22PR-L11S) (DENSO)	£27.51	4

E-6 AUTO TENSIONER BRACKET



Ref	Part No	Honda Part No	Description	Price (Each)	Req Qty
1	PFKL411826	21235PCY010	CLAMP, HARNESS	£8.28	1
3	PFKL464634	31160PCX000	BRACKET, AUTO TENSIONER	£100.08	1
4	PFKL464679	31170PCX003	TENSIONER ASSY., AUTO	£239.75	1
5	PFKL464757	31180PCX003	PULLEY COMP., IDLER	£100.25	1
6	PFKL464818	31185PCX003	COVER, BEARING	£8.82	1
7	PFKL974268	90002P8AA01	BOLT, SPECIAL, 10X30	£8.01	1
8	PFKL977280	90032PCX000	BOLT, SPECIAL FLANGE, 10X45	£7.85	1
9	PFKL1021366	9407008080	NUT-WASHER, 8MM	£1.92	2
10	PFKL1028484	957010802808	BOLT, FLANGE, 8X28	£2.14	1
11	PFKL1028639	957011004008	BOLT, FLANGE, 10X40	£2.38	1
12	PFKL1028652	957011006008	BOLT, FLANGE, 10X60	£2.97	2
13	PFKL1028663	957011008008	BOLT, FLANGE, 10X80	£3.35	1
14	PFKL1028672	957011009508	BOLT, FLANGE, 10X95	£4.14	1
15	PFKL1028723	957011206508	BOLT, FLANGE, 12X65	£4.14	3
16	PFKL1028727	957011208008	BOLT, FLANGE, 12X80	£3.06	3
17	PFKL1029271	958011008508	BOLT, FLANGE, 10X85	£4.14	1
18	PFKL1029290	958011014008	BOLT, FLANGE, 10X140	£5.18	1
19	PFKL1030580	967000808008	BOLT, SOCKET, 8X80	£3.71	1

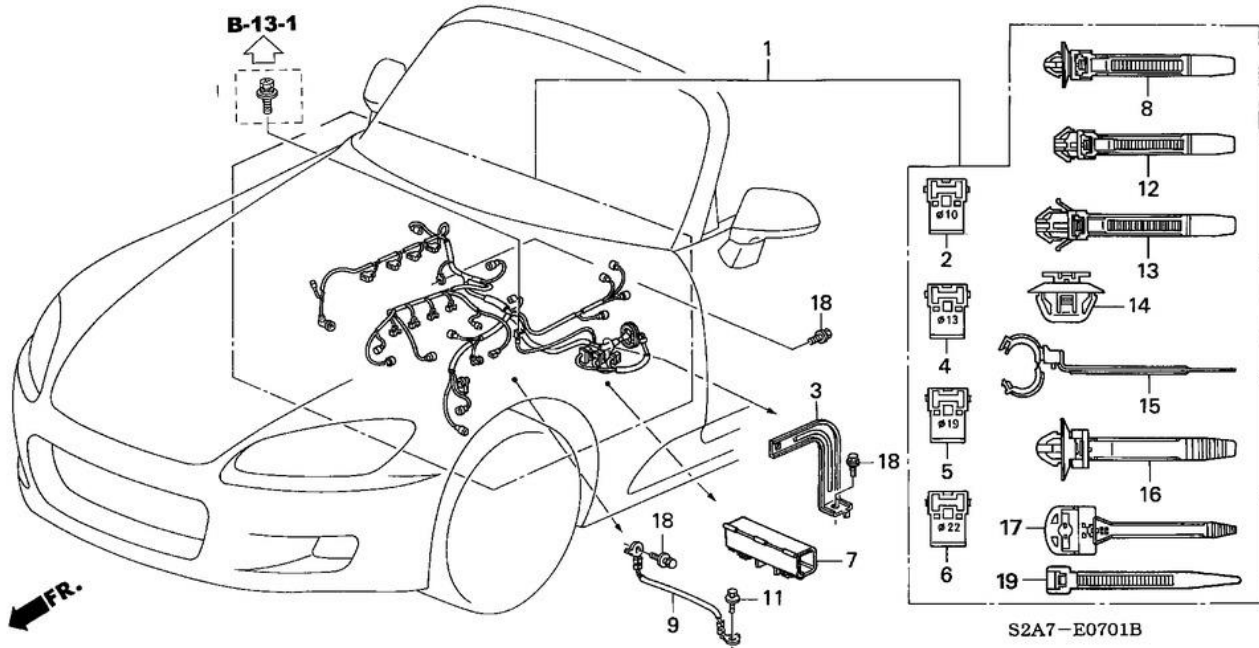
E-6-10 ALTERNATOR (DENSO)



S2A3 - E0610 A

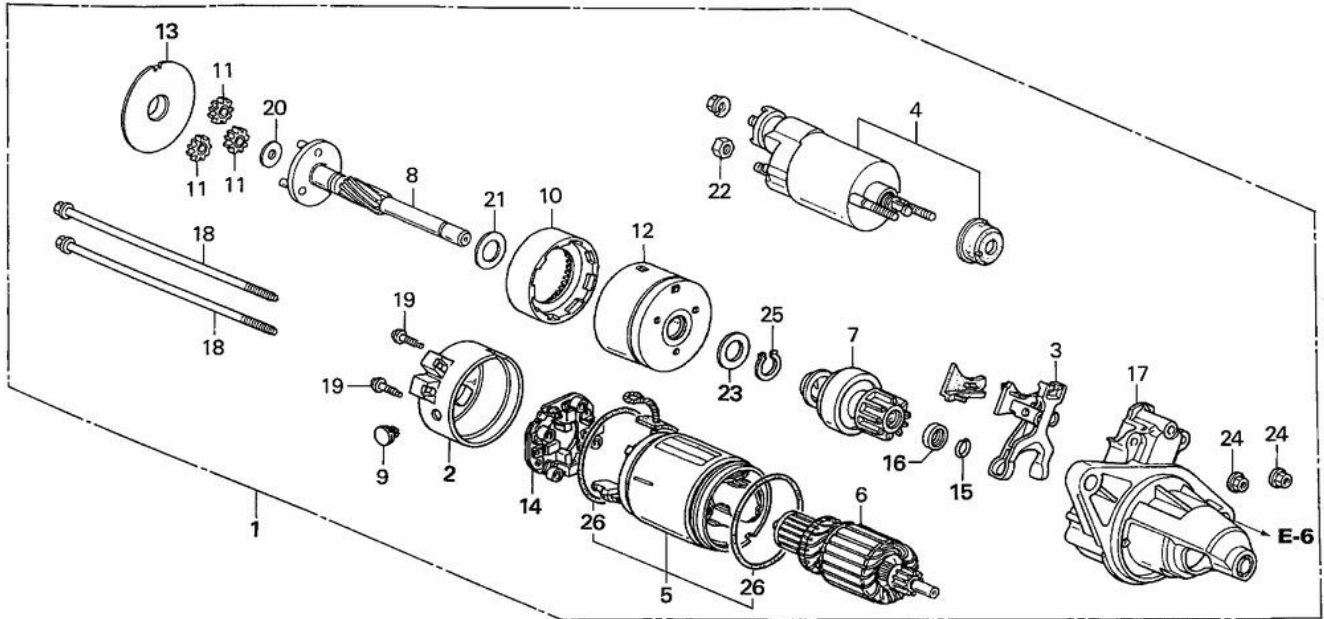
Ref	Part No	Honda Part No	Description	Price (Each)	Req Qty
1	PFKL460004	31100PZX003	ALTERNATOR ASSY. (CJY24) (DENSO)	£570.49	1
2	PFKL460786	31101P8CA01	ROTOR ASSY.	£0.00	1
3	PFKL460958	31105PR7A01	HOLDER ASSY., BRUSH	£44.99	1
4	PFKL462136	31111PT0003	BEARING, RR. GENERATOR	£34.70	1
5	PFKL462325	31114PT0013	BEARING, FR. GENERATOR	£34.94	1
6	PFKL462419	31118PT0003	BUSH, INSULATION	£5.78	4
7	PFKL462450	31119PY3003	BUSH, INSULATION	£0.00	1
8	PFKL463888	31127PCXJ01	RECTIFIER ASSY.	£0.00	1
9	PFKL464148	31135PCXJ01	COVER, RR. END	£19.32	1
10	PFKL464209	31138PD1004	COVER, BEARING	£8.35	1
11	PFKL464251	31141PCX003	PULLEY	£0.00	1
12	PFKL464376	31142PD1004	NUT, PULLEY LOCK	£4.39	1
13	PFKL464396	31145PD1004	BOLT, STUD, 6X68	£7.51	4
14	PFKL464416	31146PT0003	SCREW	£3.87	4
15	PFKL464421	31147PT0003	SCREW-WASHER	£2.93	3
16	PFKL464422	31147P13003	SCREW	£2.50	1
17	PFKL464427	31148PT0003	SCREW, WAVE WASHER	£2.95	2
18	PFKL464428	31148P13003	SCREW, WAVE WASHER	£2.50	4
19	PFKL464493	31150PZX003	REGULATOR ASSY.	£0.00	1
20	PFKL988840	90231PD1014	NUT-WASHER, 5MM	£2.70	7
21	PFKL988874	90232PR7A01	NUT, HEX., 8MM	£0.00	1

E-7-1 ENGINE WIRE HARNESS (RH)



Ref	Part No	Honda Part No	Description	Price (Each)	Req Qty
1	PFKL480159	32110PCXE04	HARNESS, ENGINE WIRE	£1,246.67	1
2	PFKL481250	32115P64003	HOLDER, CORRUGATED (DARK BLUE) (10MM)	£6.99	2
3	PFKL481273	32116PCXJ00	STAY E, ENGINE HARNESS	£0.00	1
4	PFKL481277	32116P64003	HOLDER, CORRUGATED (DARK GREEN) (13MM)	£7.46	1
5	PFKL482533	32118P72003	HOLDER, CORRUGATED (DARK GREEN) (19MM)	£9.81	1
6	PFKL482599	32119P2EA01	HOLDER, CORRUGATED (DARK BLUE) (22MM)	£6.92	3
7	PFKL483243	32128PCX000	HOLDER B, ENGINE HARNESS	£0.00	1
8	PFKL483423	32134SM4003	BAND, HARNESS OFFSET (10) (BROWN) (122.5MM)	£7.07	2
9	PFKL488732	32610S2A900	CABLE, SUB EARTH	£17.22	1
11	PFKL986282	90149SE0003	BOLT, EARTH, 6X16	£5.67	1
12	PFKL1011978	91506RTA003	CLIP A, HARNESS BAND (DARK VIOLET) (129.4MM)	£5.40	7
13	PFKL1012009	91507RTA003	CLIP B, HARNESS BAND (DARK GREEN) (129.4MM)	£5.40	1
14	PFKL1012516	91533S04003	CLIP, COUPLER (NATURAL)	£2.70	1
16	PFKL1013195	91558ST5003	CLIP, HARNESS BAND (NATURAL) (135MM) (7MM HOLE)	£3.78	6
17	PFKL1013205	91559PAAA01	CLIP, HARNESS BAND (GRAY) (150MM)	£5.29	1
18	PFKL1028254	957010601208	BOLT, FLANGE, 6X12	£1.92	3
19	PFKL1012827	91551PNA003	BAND, WIRE HARNESS (BLACK) (172MM)	£3.53	1

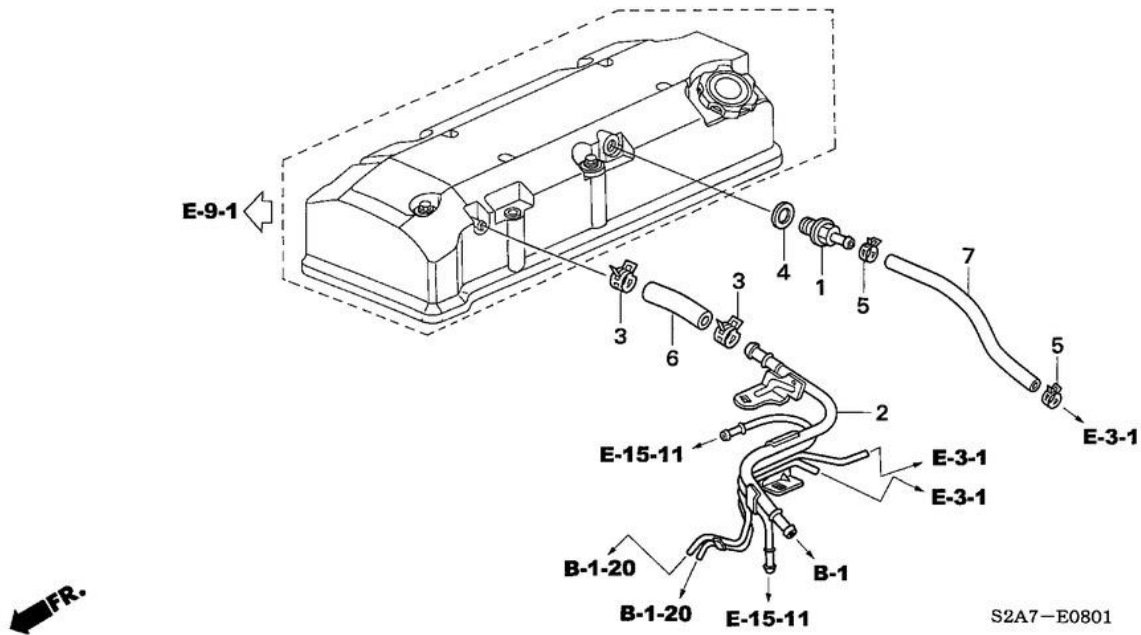
E-7-10 STARTER MOTOR (DENSO)



S2A7-E0710B

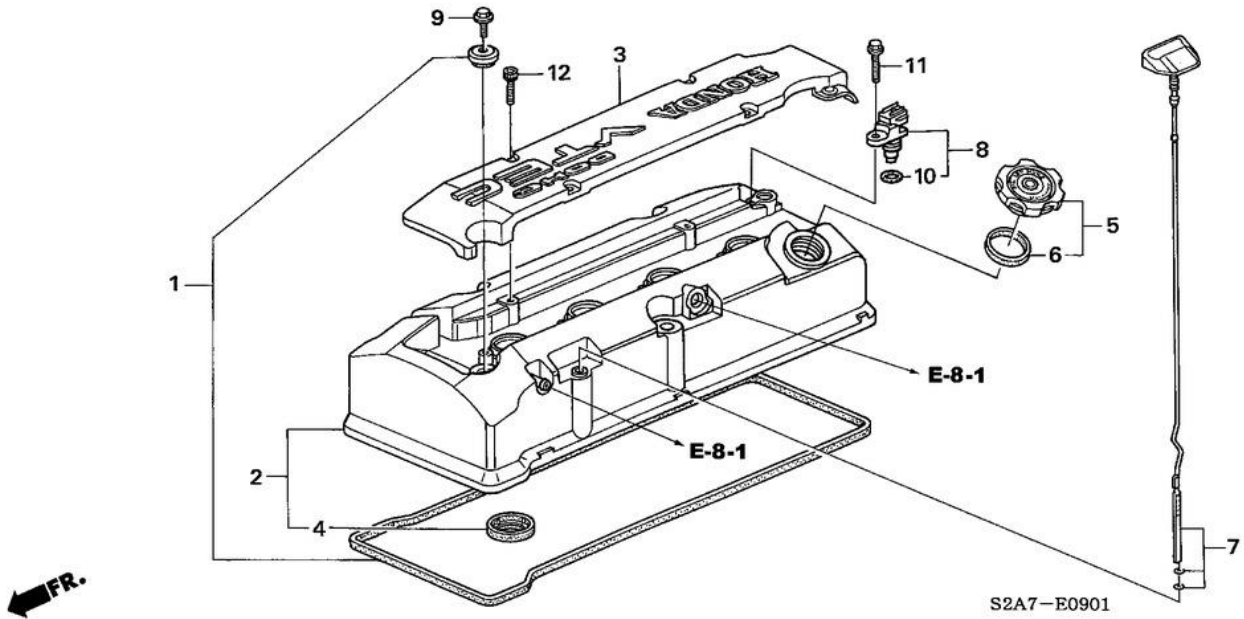
Ref	Part No	Honda Part No	Description	Price (Each)	Req Qty
1	PFKL465371	31200PCXA02	MOTOR ASSY., STARTER (DSDHP) (DENSO)	£432.29	1
2	PFKL466097	31202PCXA02	ENDFRAME COMP., COMMUTATOR	£0.00	1
3	PFKL466200	31203PCA003	LEVER, PINION DRIVE	£37.57	1
4	PFKL466273	31204PCXA01	SWITCH ASSY., MAGNETIC	£0.00	1
5	PFKL466431	31205PCXA02	YOKE SET	£156.68	1
6	PFKL466549	31206RNAA01	ARMATURE COMP.	£355.60	1
7	PFKL466584	31207PCA003	CLUTCH COMP., OVERRUNNING	£285.22	1
8	PFKL467059	31213PCA003	SHAFT, DRIVE	£167.69	1
9	PFKL467072	31213P64N01	COVER	£4.66	1
10	PFKL467098	31214P3F003	GEAR ASSY., INTERNAL	£50.83	1
11	PFKL467126	31215P3F003	GEAR COMP., PLANETARY	£32.96	3
12	PFKL467156	31216RAA003	ABSORBER COMP., SHOCK	£15.89	1
13	PFKL467188	31217P3F003	PLATE, SEAL	£8.56	1
14	PFKL467389	31231P3F003	PLATE COMP., BRUSH HOLDER	£63.69	1
15	PFKL452555	30201PH9004	RING, SNAP (DENSO)	£2.34	1
16	PFKL452595	30202RYE003	COLLAR, CLUTCH STOP	£7.51	1
17	PFKL466014	31201PCXA01	HOUSING COMP., DRIVE SIDE	£0.00	1
18	PFKL466114	31202PR4003	BOLT, THROUGH (DENSO)	£8.47	4
19	PFKL466700	31208P3F003	SCREW, PAN, 4MM	£2.39	2
20	PFKL467226	31218P3F003	WASHER A	£4.84	1
21	PFKL467237	31219P3F003	WASHER B	£4.84	1
22	PFKL467261	31220PH9004	NUT, HEX., 8MM	£4.10	1
23	PFKL467266	31220P3F003	WASHER C	£6.08	1
24	PFKL467307	31223PA0006	NUT, HEX.	£4.10	2
25	PFKL1021912	9451015000	CIRCLIP, EXTERNAL, 15MM	£1.92	1
26	PFKL467351	31228PLRA01	O-RING	£2.63	2

E-8-1 BREATHER PIPE ('06-)



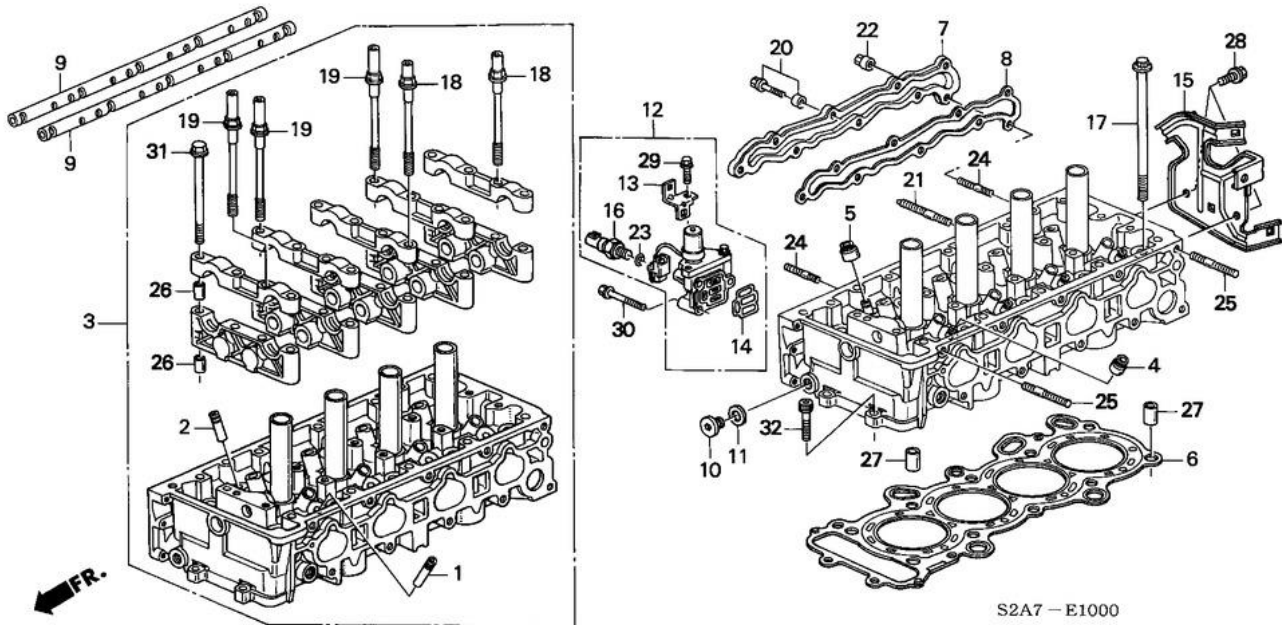
Ref	Part No	Honda Part No	Description	Price (Each)	Req Qty
1	PFKL349121	17130PCX003	VALVE ASSY., PCV	£50.98	1
2	PFKL349314	17137PCXG00	PIPE COMP., BREATHER	£83.10	1
3	PFKL1011253	91405PM5004	CLAMP, TUBE (D17)	£6.55	2
4	PFKL1021515	9410914000	WASHER, DRAIN PLUG, 14MM	£1.70	1
5	PFKL1023427	950024120004	CLAMP, TUBE (D12)	£2.11	2
6	PFKL1024394	950051206010	TUBE, 12X60 (95005-12001-10M)	£0.00	1
7	PFKL1027277	950057523010	TUBE, 7.3X230 (95005-75001-10M)	£0.00	1

E-9-1 CYLINDER HEAD COVER ('06-)



Ref	Part No	Honda Part No	Description	Price (Each)	Req Qty
1	PFKL266819	12040PCX305	PACKING SET, HEAD COVER	£36.58	1
2	PFKL273138	12310PCX020	COVER COMP., CYLINDER HEAD	£588.82	1
3	PFKL273993	12331PCX010	COVER, IGNITION COIL	£102.56	1
4	PFKL274188	12342PCX004	SEAL, SPARK PLUG TUBE (NOK)	£7.76	4
5	PFKL315447	15610P2A000	CAP ASSY., OIL FILLER	£26.85	1
6	PFKL315510	15613PC6000	PACKING, OIL FILLER	£8.56	1
7	PFKL315873	15650PCX006	GAUGE COMP., OIL LEVEL	£41.68	1
8	PFKL550672	37510PZX003	SENSOR ASSY., TDC	£150.38	1
9	PFKL975750	90013PCX000	BOLT, SPECIAL, 6X12	£4.54	5
10	PFKL1010405	91333PNA003	O-RING, 15X1.9	£3.20	1
11	PFKL1028285	957010601807	BOLT, FLANGE, 6X18	£1.92	1
12	PFKL1030414	966000601807	BOLT, SOCKET, 6X18	£2.21	4

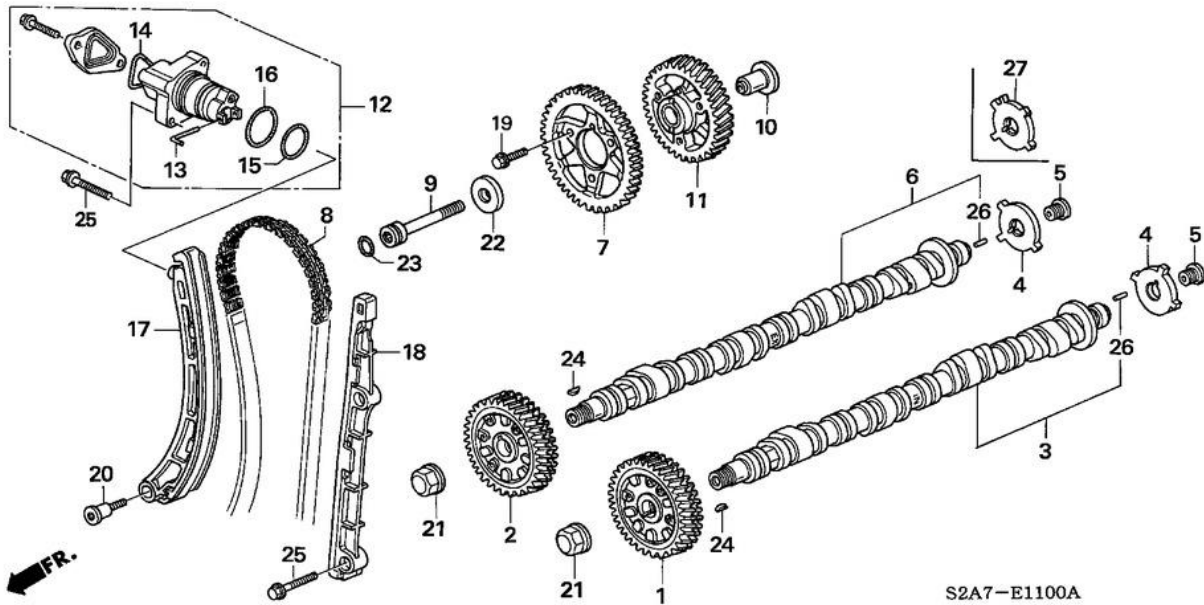
E-10 CYLINDER HEAD



Ref	Part No	Honda Part No	Description	Price (Each)	Req Qty
1	PFKL266533	12010PCX000	GUIDE, IN. VALVE (OS)	£24.26	8
2	PFKL266568	12011PCX010	GUIDE, EX. VALVE (OS)	£25.91	8
3	PFKL267225	12100PCXG01	HEAD ASSY., CYLINDER	£2,496.01	1
4	PFKL270595	12210PZ1003	SEAL A, VALVE STEM (ARAI)	£9.95	8
4	PFKL270596	12210PZ1004	SEAL A, VALVE STEM (NOK)	£9.95	8
5	PFKL270719	12211PZ1004	SEAL B, VALVE STEM (ARAI)	£9.95	8
5	PFKL270719	12211PZ1004	SEAL B, VALVE STEM (NOK)	£9.95	8
6	PFKL271918	12251PCX004	GASKET, CYLINDER HEAD (NIPPON LEAKLESS)	£94.01	1
7	PFKL275071	12811PCX004	COVER, CYLINDER HEAD SIDE	£51.85	1
8	PFKL275074	12821PCX004	GASKET, CYLINDER HEAD SIDE COVER	£14.12	1
9	PFKL308346	14631PCX000	SHAFT, VALVE ROCKER ARM	£86.95	2
10	PFKL313814	15301PE0300	BOLT, SEALING, 14MM	£7.78	1
11	PFKL313823	15302PE0300	WASHER, SEALING, 14MM	£5.49	1
12	PFKL316651	15810PCXA03	VALVE ASSY., SPOOL	£488.63	1
13	PFKL316706	15816PCX005	STAY, COUPLER HOLD	£6.19	1
14	PFKL316717	15825PCX015	FILTER ASSY., SPOOL VALVE	£27.39	1
15	PFKL482657	32120PCX000	BRACKET, ENGINE HARNESS	£10.67	1
16	PFKL549401	37250PCXA02	SWITCH ASSY., VALVE TIMING OIL PRESSURE	£116.21	1
17	PFKL974776	90005PCX003	BOLT-WASHER, 12X163	£14.39	10
18	PFKL975457	90011PCX004	BOLT A, HEAD COVER	£13.84	2
19	PFKL975629	90012PCX004	BOLT B, HEAD COVER	£13.84	3
20	PFKL975877	90014PCX000	BOLT-WASHER, 6X20	£6.57	7
21	PFKL976904	90026PT0000	BOLT, STUD, 8X38	£5.29	7
22	PFKL988392	90202PCX000	NUT, FLANGE, 6MM	£0.00	2
23	PFKL1010281	91319PAAA01	O-RING, 13X1.5	£7.51	1
24	PFKL1016812	92900060200E	BOLT, STUD, 6X20	£2.14	2

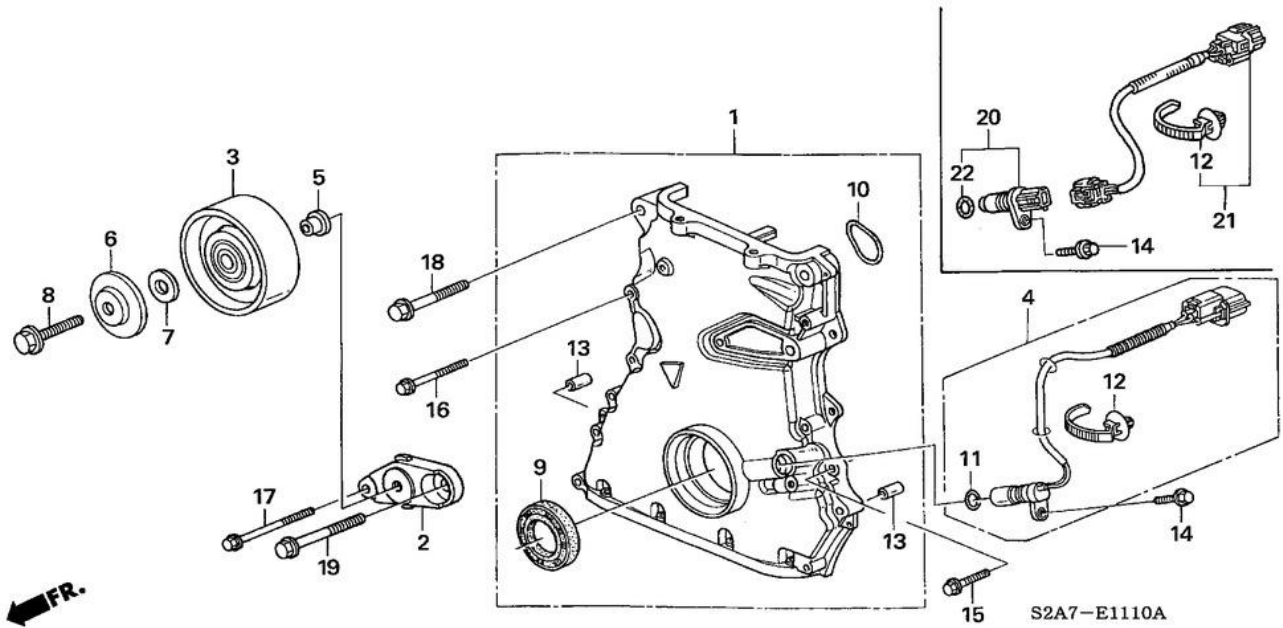
25	PFKL1016863	92900080251B	BOLT, STUD, 8X25	£2.14	2
26	PFKL1021708	9430110160	DOWEL PIN, 10X16	£3.56	20
27	PFKL1021720	9430114200	DOWEL PIN, 14X20	£2.97	2
28	PFKL1028254	957010601208	BOLT, FLANGE, 6X12	£1.92	2
29	PFKL1028286	957010601808	BOLT, FLANGE, 6X18	£1.92	1
30	PFKL1028367	957010605008	BOLT, FLANGE, 6X50	£2.14	3
31	PFKL1028569	957010809000	BOLT, FLANGE, 8X90	£3.35	15
32	PFKL1030560	967000803207	BOLT, SOCKET, 8X32	£2.38	2

E-11 CAMSHAFT/CAM CHAIN

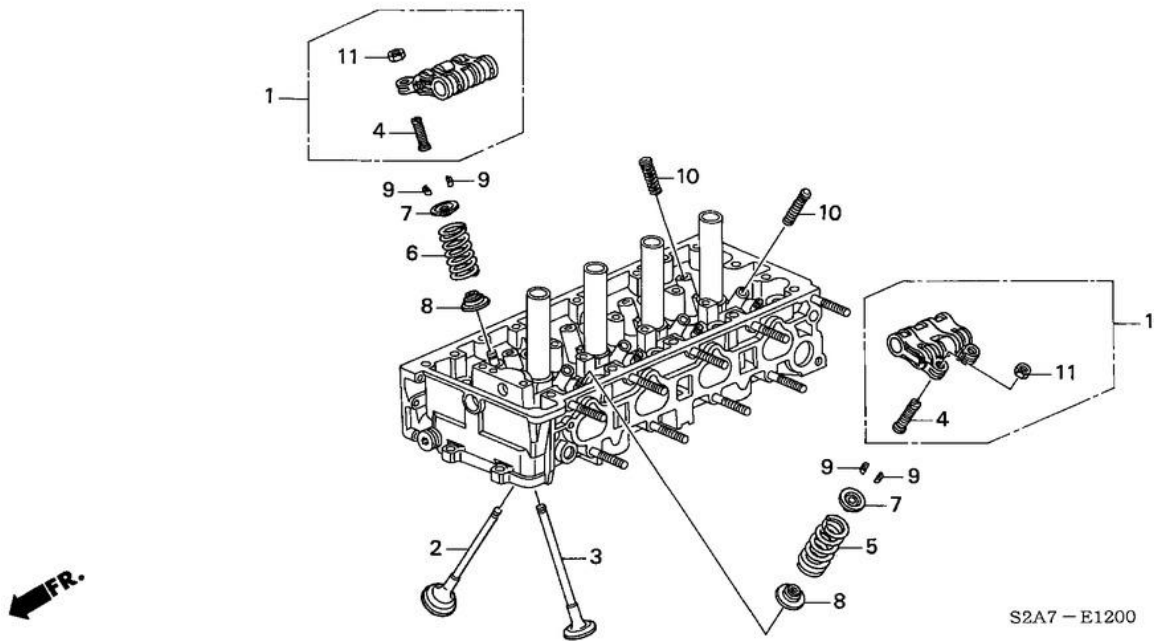


Ref	Part No	Honda Part No	Description	Price (Each)	Req Qty
1	PFKL302084	14010PCX000	GEAR ASSY., CAM IN.	£156.71	1
2	PFKL302088	14011PCX000	GEAR ASSY., EX. CAM	£289.04	1
3	PFKL303107	14110PCX000	CAMSHAFT COMP., IN.	£674.55	1
4	PFKL303569	14113PCX000	PLATE, CAM	£13.05	1
5	PFKL303577	14114PCX000	BOLT, SEALING, 14MM	£13.84	2
6	PFKL303693	14120PCXG00	CAMSHAFT COMP., EX.	£632.38	1
7	PFKL304535	14210PCX004	SPROCKET, CAM CHAIN DRIVEN	£161.23	1
8	PFKL305628	14401PCX004	CHAIN (138L)	£141.64	1
9	PFKL305902	14421PCX003	SHAFT, IDLER GEAR	£12.77	1
10	PFKL305924	14422PCX000	COLLAR, IDLE GEAR	£26.08	1
11	PFKL306023	14431PCX010	GEAR COMP., CAM IDLER	£200.08	1
12	PFKL306811	14510PCX005	TENSIONER COMP., CAM CHAIN	£344.97	1
13	PFKL306919	14511PCX005	SET PIN	£6.39	0
14	PFKL306931	14512PCX005	O-RING A	£5.24	1
15	PFKL306938	14513PCX005	O-RING B	£5.24	1
16	PFKL306963	14514PCX005	O-RING C	£6.30	1
17	PFKL307258	14520PCX003	ARM COMP., CAM CHAIN TENSIONER	£167.71	1
18	PFKL307381	14530PCX004	GUIDE, CAM CHAIN	£128.18	1
19	PFKL973988	90001PZ1000	BOLT, FLANGE, 6X16	£3.85	3
20	PFKL974424	90003PCX000	BOLT, TENSIONER PIVOT	£16.15	1
21	PFKL988234	90201PCX000	NUT, FLANGE, 18MM	£10.17	2
22	PFKL991171	90401PCX000	WASHER, 13.6X34X4	£7.43	1
23	PFKL1008836	91301PCX003	O-RING, 16.3X1.5	£5.06	1
24	PFKL1021897	9440113120	KEY, WOODRUFF, 13X12	£7.45	2
25	PFKL1028316	957010602508	BOLT, FLANGE, 6X25	£2.21	4
26	PFKL1030035	9622020080	ROLLER, 2X8	£0.65	2
27	PFKL303561	14112PCX003	PLATE, TDC PULSE	£27.17	1

E-11-10 CHAIN CASE

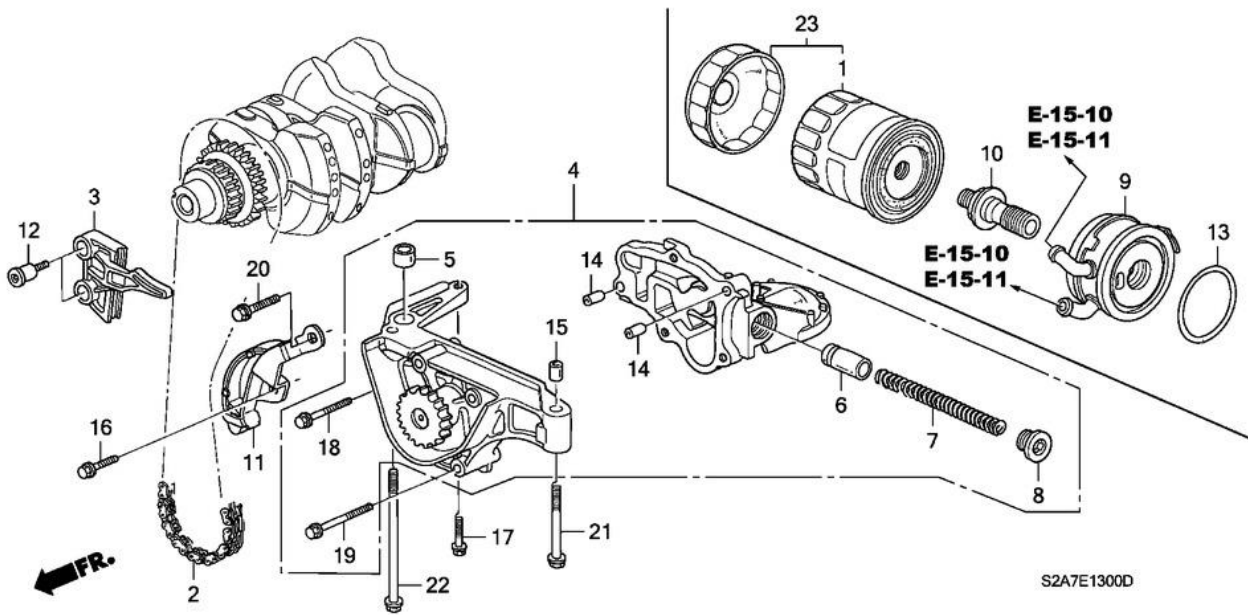


Ref	Part No	Honda Part No	Description	Price (Each)	Req Qty
1	PFKL264136	11410PCX010	CASE ASSY., CHAIN	£295.23	1
2	PFKL464748	31175PCX000	BRACKET, IDLE PULLEY	£17.32	1
3	PFKL464881	31190PCX000	PULLEY COMP., IDLE	£67.03	1
5	PFKL565649	38944P02000	COLLAR, IDLE PULLEY	£8.06	1
6	PFKL565662	38945PM3000	COVER, BEARING	£6.68	1
7	PFKL976226	90017PE0000	WASHER, 10MM	£3.87	1
8	PFKL977112	90031PCX000	BOLT, SPECIAL FLANGE, 10X36	£7.15	1
9	PFKL1007173	91212PCX003	OIL SEAL, 43X58X8	£27.70	1
10	PFKL1009861	91308PCX004	O-RING, CHAIN CASE	£8.76	1
12	PFKL1012834	91551SF4003	BAND, WIRE HARNESS (BROWN) (110MM)	£8.71	2
13	PFKL1021698	9430108100	DOWEL PIN, 8X10	£2.41	2
14	PFKL1028286	957010601808	BOLT, FLANGE, 6X18	£1.92	1
15	PFKL1028296	957010602008	BOLT, FLANGE, 6X20	£1.92	1
16	PFKL1028345	957010603508	BOLT, FLANGE, 6X35	£2.21	8
17	PFKL1028367	957010605008	BOLT, FLANGE, 6X50	£2.14	1
18	PFKL1028644	957011004508	BOLT, FLANGE, 10X45	£2.41	2
19	PFKL1029251	958011005008	BOLT, FLANGE, 10X50	£2.41	1
20	PFKL550598	37500PZX003	SENSOR ASSY., CRANK	£150.38	1
21	PFKL550637	37501PCX000	SUB HARNESS, CRANK SENSOR	£30.21	1
22	PFKL1010405	91333PNA003	O-RING, 15X1.9	£3.20	1



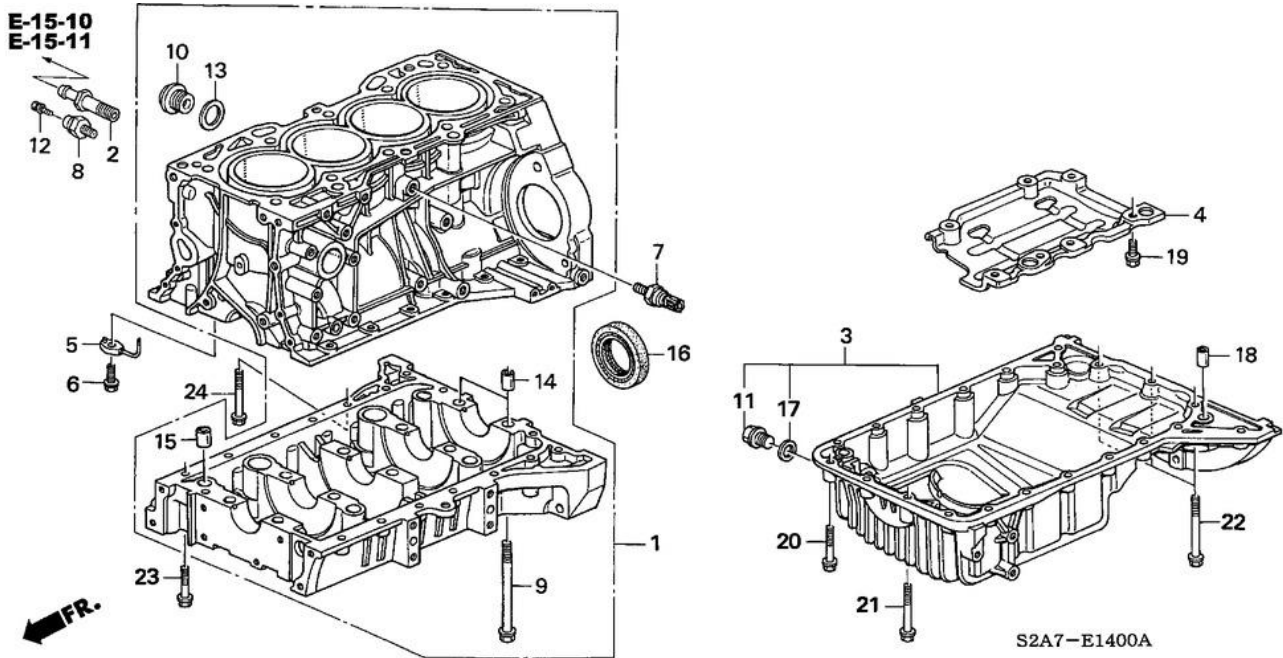
Ref	Part No	Honda Part No	Description	Price (Each)	Req Qty
1	PFKL308067	14620PCX010	ARM ASSY., ROCKER	£656.04	8
2	PFKL308791	14711PCX000	VALVE, IN. (YELLOW) (NIPPON HATSUJO)	£47.76	8
3	PFKL309229	14721PCX000	VALVE, EX. (BLUE) (NIPPON HATSUJO)	£75.90	8
4	PFKL309620	14744PCX014	SCREW, TAPPET ADJUSTING	£8.78	16
5	PFKL310211	14761PCX003	SPRING, IN. VALVE (YELLOW) (NHK SPRING)	£13.35	8
6	PFKL310435	14762PCX003	SPRING, EX. VALVE (BLUE) (NIPPON HATSUJO)	£12.50	8
7	PFKL310542	14765PRBA01	RETAINER, VALVE SPRING	£7.90	16
8	PFKL310760	14775PCX000	SEAT, VALVE SPRING	£7.90	16
9	PFKL310898	14781PCX004	COTTER, VALVE	£6.79	32
10	PFKL311045	14820PCX003	MOTION COMP., LOST	£23.23	8
11	PFKL988575	90206PT0004	NUT, TAPPET ADJUSTING	£2.74	16

E-13 OIL PUMP/OIL STRAINER



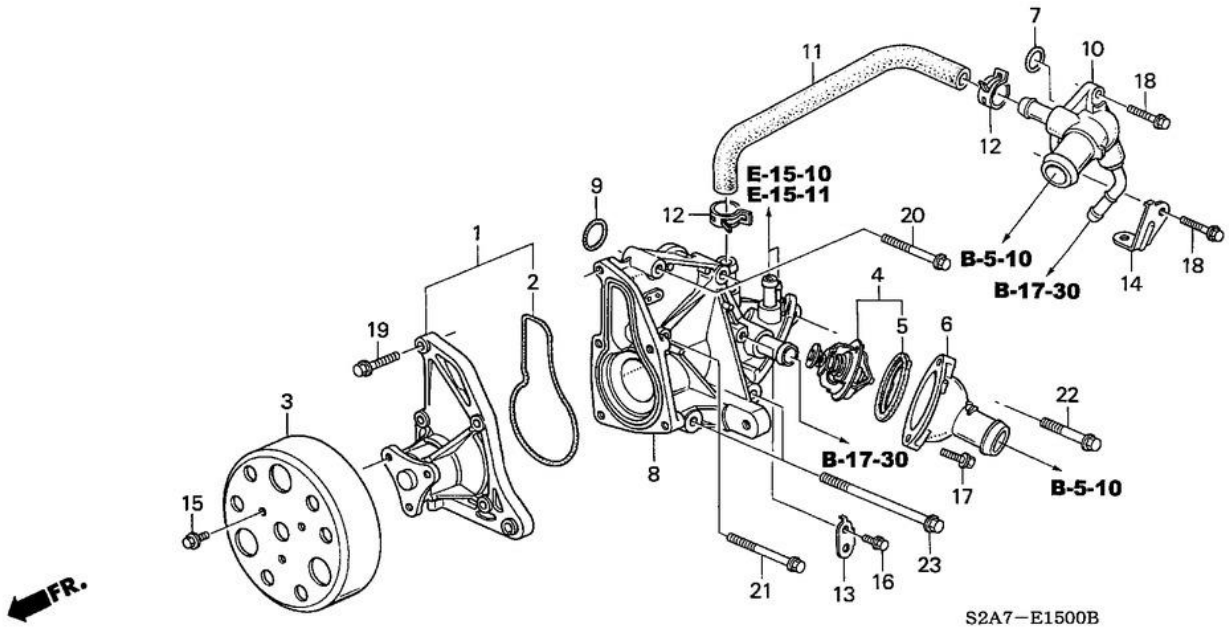
Ref	Part No	Honda Part No	Description	Price (Each)	Req Qty
1	PFKL314041	15400PCX004	CARTRIDGE, OIL FILTER (TOYO ROKI)	£15.23	1
2	PFKL299370	13441PCX004	CHAIN (64L)	£73.50	1
3	PFKL299527	13460PCX003	GUIDE, OIL PUMP CHAIN	£17.83	1
4	PFKL312110	15100PCX023	PUMP ASSY., OIL	£442.71	1
5	PFKL312725	15123PCX003	DOWEL PIN, 18X13	£6.07	1
6	PFKL313635	15231PR7A00	VALVE, RELIEF	£33.52	1
7	PFKL313667	15232PR7A00	SPRING, RELIEF VALVE	£11.96	1
8	PFKL313691	15233PR7A00	BOLT, SEALING, 20MM	£10.79	1
9	PFKL314572	15500PCX004	COOLER, ENGINE OIL	£464.14	1
10	PFKL315191	15560PCX004	BOLT, OIL COOLER CENTER	£36.88	1
11	PFKL316765	15910PCX004	TENSIONER COMP., OIL PUMP CHAIN	£145.00	1
12	PFKL974616	90004PCX000	BOLT, CHAIN GUIDE	£9.73	2
13	PFKL1010217	91316PE7730	O-RING, 62.4X3.1	£5.80	1
14	PFKL1021698	9430108100	DOWEL PIN, 8X10	£2.41	2
15	PFKL1021706	9430110120	DOWEL PIN, 10X12	£2.97	1
16	PFKL1028277	957010601608	BOLT, FLANGE, 6X16	£1.92	1
17	PFKL1028316	957010602508	BOLT, FLANGE, 6X25	£2.21	1
18	PFKL1028331	957010603008	BOLT, FLANGE, 6X30	£2.14	1
19	PFKL1028361	957010604508	BOLT, FLANGE, 6X45	£2.14	4
20	PFKL1028463	957010802008	BOLT, FLANGE, 8X20	£1.92	1
21	PFKL1028557	957010807508	BOLT, FLANGE, 8X75	£2.41	1
22	PFKL1028592	957010814008	BOLT, FLANGE, 8X140	£4.01	1
23	PFKL314041	15400PCX004	FILTER SET, OIL	£15.23	0

E-14 CYLINDER BLOCK/OIL PAN



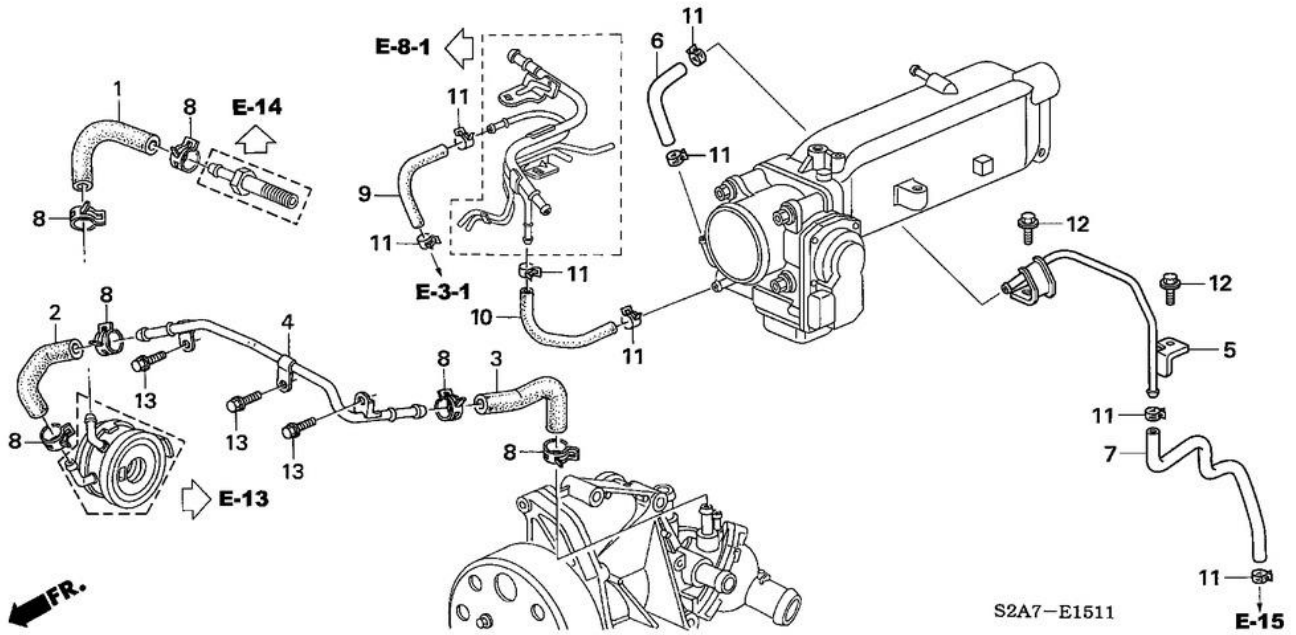
Ref	Part No	Honda Part No	Description	Price (Each)	Req Qty
1	PFKL256449	11000PCX010	BLOCK ASSY., CYLINDER	£0.00	1
2	PFKL257558	11107PT2000	JOINT, OIL COOLER	£11.45	1
3	PFKL258693	11200PCX000	PAN COMP., OIL	£352.42	1
4	PFKL259375	11221PCX000	PLATE, BAFFLE	£49.39	1
5	PFKL313767	15280PCX010	BODY COMP., OIL JET	£24.00	4
6	PFKL313790	15290PCX000	BOLT COMP., OIL JET	£38.69	4
7	PFKL457043	30530PRC003	SENSOR ASSY., KNOCK	£146.61	1
8	PFKL548622	37240P13013	SWITCH, OIL PRESSURE	£58.40	1
9	PFKL973942	90001PCX003	BOLT-WASHER, 10X105	£12.18	10
10	PFKL973969	90001PM3003	BOLT, DRAIN PLUG, 28MM	£13.00	1
11	PFKL975240	90009PY3000	BOLT, DRAIN PLUG, 14MM	£7.96	1
12	PFKL977533	90037PCX003	BOLT-WASHER, 4X8	£4.54	1
13	PFKL991190	90401PR4000	WASHER, SEALING, 28MM	£2.43	1
14	PFKL1000286	90702PE0000	DOWEL PIN, 12X18	£3.96	10
15	PFKL1000358	90703PE0000	DOWEL PIN, 18X22	£7.65	1
16	PFKL1007324	91214PCX003	OIL SEAL, 80X98X10 (NOK)	£34.53	1
17	PFKL1021515	9410914000	WASHER, DRAIN PLUG, 14MM	£1.70	1
18	PFKL1021716	9430112200	DOWEL PIN, 12X20	£2.97	2
19	PFKL1028265	957010601408	BOLT, FLANGE, 6X14	£1.92	7
20	PFKL1028345	957010603508	BOLT, FLANGE, 6X35	£2.21	17
21	PFKL1028367	957010605008	BOLT, FLANGE, 6X50	£2.14	1
22	PFKL1028383	957010606508	BOLT, FLANGE, 6X65	£2.29	3
23	PFKL1028514	957010804008	BOLT, FLANGE, 8X40	£2.14	15
24	PFKL1028535	957010805508	BOLT, FLANGE, 8X55	£2.38	1

E-15 WATER PUMP



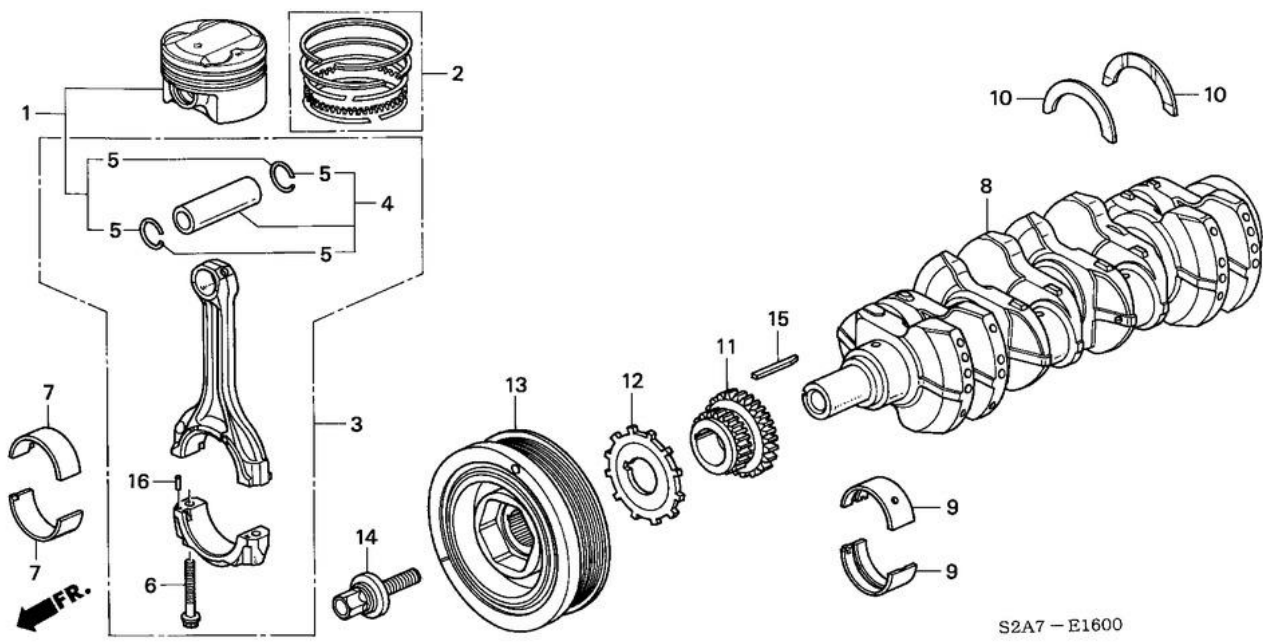
Ref	Part No	Honda Part No	Description	Price (Each)	Req Qty
1	PFKL402999	19210PCX003	PUMP SET, WATER	£197.38	1
2	PFKL403398	19222PCX003	GASKET, WATER PUMP	£7.07	1
3	PFKL403471	19224PCX000	PULLEY, WATER PUMP	£47.15	1
4	PFKL404263	19301P8EA10	THERMOSTAT ASSY. (NIPPON THERMOSTAT)	£57.04	1
5	PFKL404295	19305PR7A00	RUBBER, THERMOSTAT MOUNTING	£8.20	1
6	PFKL404420	19311PCX000	COVER, THERMOSTAT	£34.09	1
7	PFKL404500	19313PCX003	O-RING, WATER OUTLET COVER	£6.70	1
8	PFKL404707	19320PCX000	CASE COMP., THERMOSTAT	£237.18	1
9	PFKL404788	19322PCX003	O-RING, 43.8X3.1	£6.70	1
10	PFKL404927	19360PCX000	COVER COMP., WATER	£31.07	1
11	PFKL406024	19504PCX000	HOSE, BYPASS IN.	£14.96	1
12	PFKL407021	19513PE0003	CLAMP, WATER HOSE (21.7MM) (CHUO SPRING)	£5.47	2
13	PFKL483085	32123POGA00	STAY, TDC-SENSOR WIRE HARNESS	£3.11	1
14	PFKL490054	32751POGA00	STAY C, ENGINE HARNESS	£6.77	1
15	PFKL975750	90013PCX000	BOLT, SPECIAL, 6X12	£4.54	3
16	PFKL1028254	957010601208	BOLT, FLANGE, 6X12	£1.92	1
17	PFKL1028296	957010602008	BOLT, FLANGE, 6X20	£1.92	2
18	PFKL1028316	957010602508	BOLT, FLANGE, 6X25	£2.21	2
19	PFKL1028491	957010803008	BOLT, FLANGE, 8X30	£2.14	5
20	PFKL1028529	957010805008	BOLT, FLANGE, 8X50	£2.38	2
21	PFKL1028541	957010806008	BOLT, FLANGE, 8X60	£2.38	1
22	PFKL1028644	957011004508	BOLT, FLANGE, 10X45	£2.41	1
23	PFKL1029277	958011010008	BOLT, FLANGE, 10X100	£3.69	2

E-15-11 WATER HOSE ('06-)



Ref	Part No	Honda Part No	Description	Price (Each)	Req Qty
1	PFKL405118	19422PCX000	HOSE, OIL COOLER IN.	£9.21	1
2	PFKL405143	19423PCX000	HOSE A, OIL COOLER OUTLET	£9.21	1
3	PFKL405159	19424PCX000	HOSE B, OIL COOLER OUTLET	£9.21	1
4	PFKL405175	19426PCX000	PIPE COMP., OIL COOLER	£55.99	1
5	PFKL406224	19505PZX000	PIPE COMP., CONNECTING	£0.00	1
6	PFKL406461	19507PZX000	HOSE, THROTTLE BODY OUTLET	£6.98	1
7	PFKL406579	19508PZX000	HOSE, OUTLET	£10.47	1
8	PFKL406980	19512PK2003	CLIP, HOSE, 18.7MM	£5.83	6
9	PFKL407070	19514PZX000	HOSE A, BREATHER HEATER	£5.65	1
10	PFKL407124	19515PZX000	HOSE B, BREATHER HEATER	£5.65	1
11	PFKL1023430	950024125004	CLAMP, TUBE (D12.5)	£2.11	8
12	PFKL1028254	957010601208	BOLT, FLANGE, 6X12	£1.92	2
13	PFKL1028265	957010601408	BOLT, FLANGE, 6X14	£1.92	3

E-16 PISTON/CRANKSHAFT

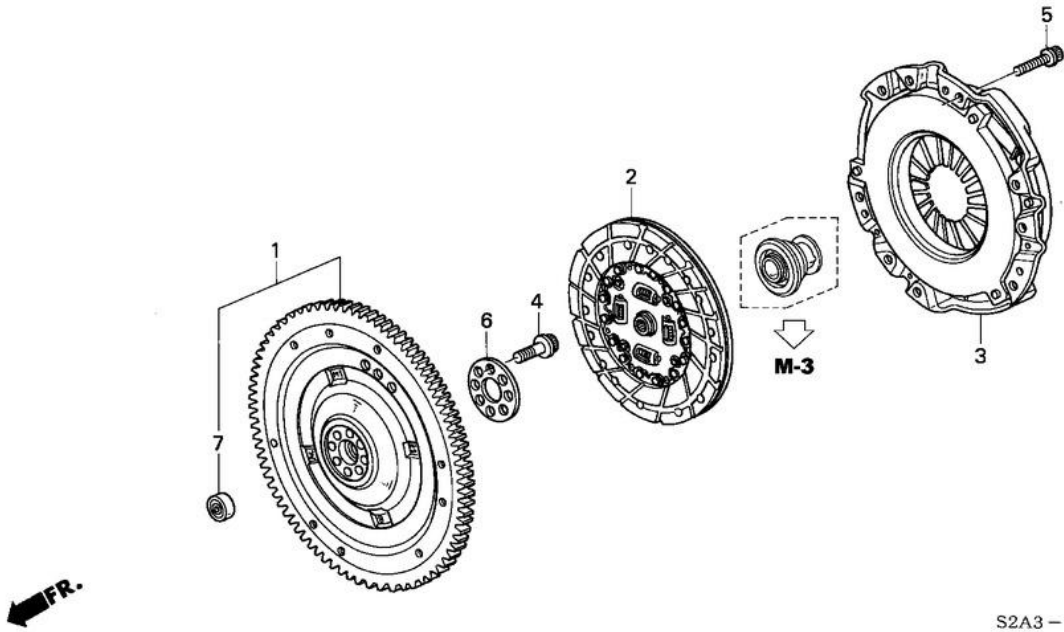


S2A7 - E1600

Ref	Part No	Honda Part No	Description	Price (Each)	Req Qty
1	PFKL284323	13010PCXA04	PISTON SET A (STD.)	£0.00	4
1	PFKL286088	13020PCXA04	PISTON SET B (STD.)	£561.41	4
1	PFKL286977	13030PCXA03	PISTON SET (OS 0.25)	£561.41	0
2	PFKL284944	13011PCX024	RING SET, PISTON (STD.) (RIKEN)	£93.53	4
2	PFKL286375	13021PCX024	RING SET, PISTON (OS 0.25) (RIKEN)	£95.51	0
3	PFKL287923	13050PCXA00	ROD SET, CONNECTING	£289.06	4
4	PFKL288177	13060PCX000	PISTON PIN SET	£16.70	4
5	PFKL292246	13115PCX000	CLIP, PISTON PIN, 1.6MM	£4.16	8
6	PFKL293408	13204PCX003	BOLT, CONNECTING ROD	£8.39	8
7	PFKL294762	13217PCX013	BEARING G, CONNECTING ROD (RED) (DAIDO)	£31.55	8
7	PFKL294606	13216PCX013	BEARING F, CONNECTING ROD (PINK) (DAIDO)	£31.55	8
7	PFKL294429	13215PCX013	BEARING E, CONNECTING ROD (YELLOW) (DAIDO)	£33.67	8
7	PFKL294260	13214PCX013	BEARING D, CONNECTING ROD (GREEN) (DAIDO)	£31.55	8
7	PFKL294101	13213PCX013	BEARING C, CONNECTING ROD (BROWN) (DAIDO)	£31.55	8
7	PFKL293946	13212PCX013	BEARING B, CONNECTING ROD (BLACK) (DAIDO)	£31.53	8
7	PFKL293798	13211PCX013	BEARING A, CONNECTING ROD (BLUE) (DAIDO)	£31.53	8
8	PFKL2153664	13310PCX020	CRANKSHAFT COMP.	£1,664.09	1
9	PFKL297761	13326PCX013	BEARING F, MAIN (PINK) (DAIDO)	£33.08	10
9	PFKL297640	13325PCX013	BEARING E, MAIN (YELLOW) (DAIDO)	£33.07	10
9	PFKL297509	13324PCX013	BEARING D, MAIN (GREEN) (DAIDO)	£33.07	10
9	PFKL297388	13323PCX013	BEARING C, MAIN (BROWN) (DAIDO)	£33.07	10
9	PFKL297273	13322PCX013	BEARING B, MAIN (BLACK) (DAIDO)	£33.07	10
9	PFKL297094	13321PCX013	BEARING A, MAIN (BLUE) (DAIDO)	£33.08	10
10	PFKL297929	13331PCX003	WASHER, THRUST (DAIDO)	£18.33	2
11	PFKL299795	13620PCX004	SPROCKET, DRIVE CHAIN	£113.05	1
12	PFKL299876	13622PCX013	PLATE, CRANK PULSER	£14.82	1

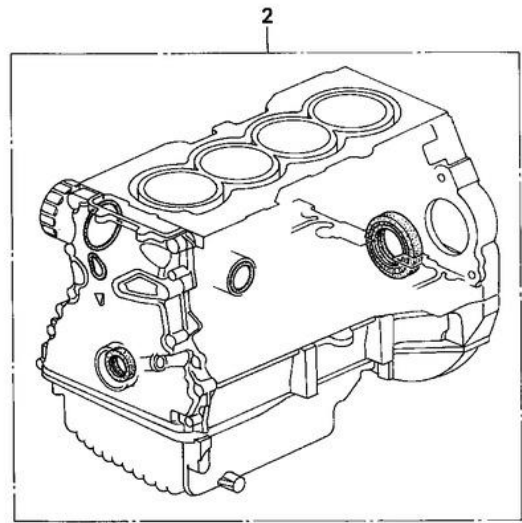
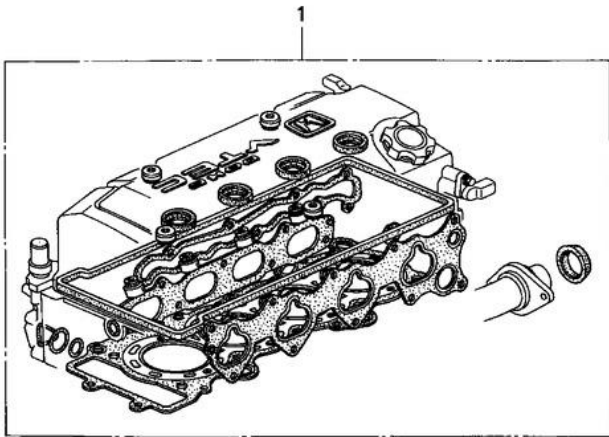
13	PFKL300760	13810PCX003	PULLEY COMP., CRANKSHAFT	£252.25	1
14	PFKL976224	90017PCX013	BOLT-WASHER, 16X49	£18.58	1
15	PFKL1000394	90704PT0000	KEY, 4.5X38.5	£9.81	1
16	PFKL1021741	9430304065	PIN C, DOWEL, 4X6.5	£2.29	8

E-18 CLUTCH



S2A3 - E1800 A

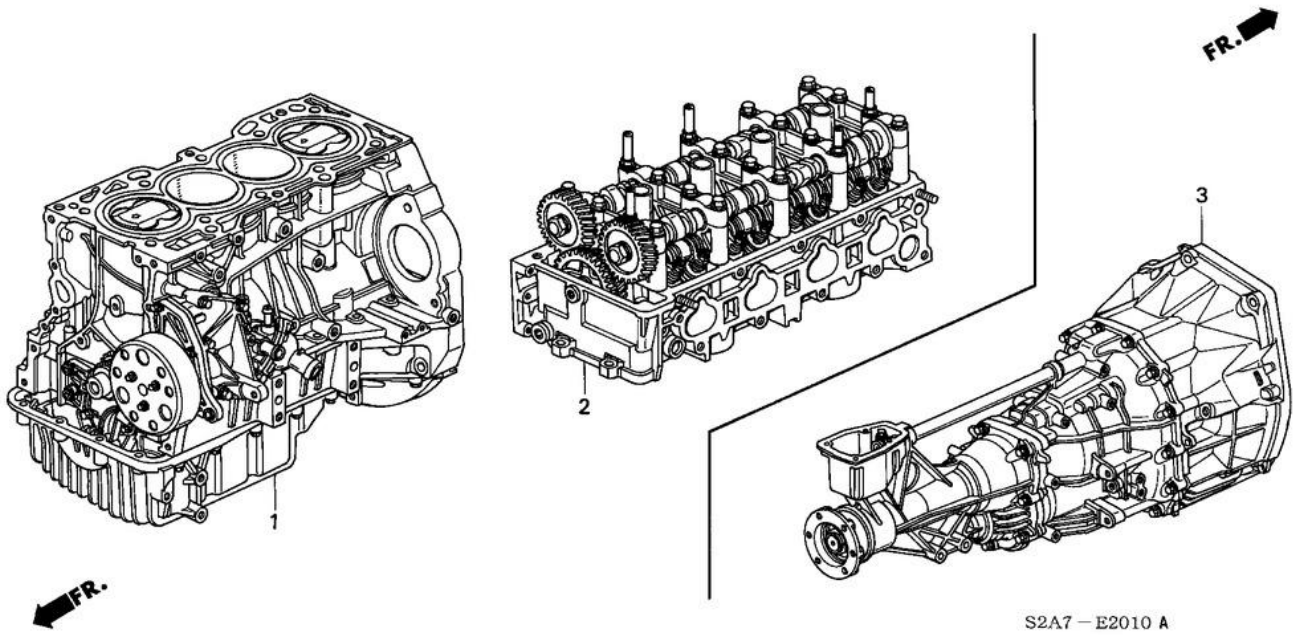
Ref	Part No	Honda Part No	Description	Price (Each)	Req Qty
1	PFKL413880	22100PCX005	FLYWHEEL COMP.	£817.40	1
2	PFKL415578	22200PCX055	DISK COMP., FRICTION	£128.82	1
3	PFKL416237	22300PCX015	DISK COMP., PRESSURE	£331.72	1
4	PFKL975456	90011PCXB01	BOLT (12MM)	£9.73	8
5	PFKL977445	90034689000	BOLT, TWELVE POINT, 8MM (TOKAI TRW)	£8.71	9
6	PFKL992241	90429PCX000	WASHER, 38X88X2	£12.39	1
7	PFKL1002767	91006PCX008	BEARING, CLUTCH PILOT	£28.03	1



S2A7 - E2000

Ref	Part No	Honda Part No	Description	Price (Each)	Req Qty
1	PFKL224431	06110PCX020	GASKET KIT, CYLINDER HEAD	£339.68	1
2	PFKL225691	06111PCX020	GASKET KIT, CYLINDER BLOCK	£59.50	1

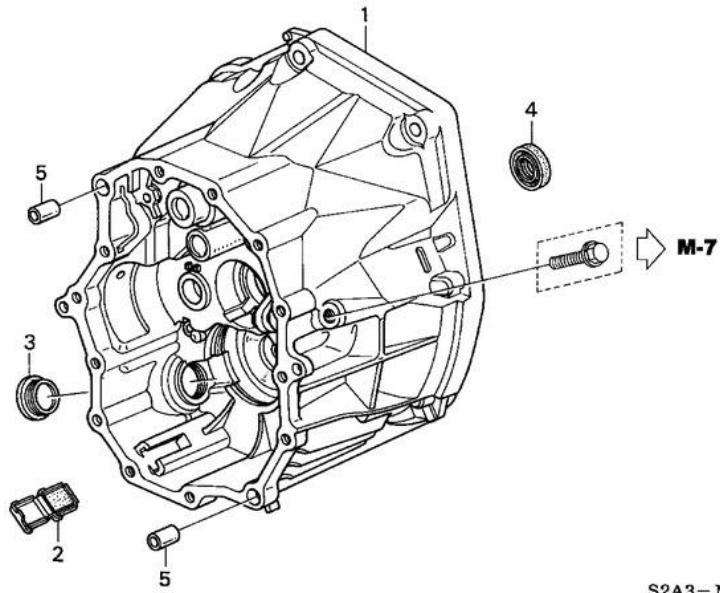
E-20-10 ENGINE ASSY./ TRANSMISSION ASSY.



Ref	Part No	Honda Part No	Description	Price (Each)	Req Qty
1	PFKL2158011	10002PCXE10	ENGINE ASSY., BLOCK (WITHOUT WATER PUMP)	£6,365.00	1
2	PFKL254902	10003PCXE05	GENERAL ASSY., CYLINDER HEAD	£6,477.06	1
3	PFKL409694	20011PCY040	TRANSMISSION ASSY. (6-SPEED)	£7,157.21	1

M-1 CLUTCH CASE

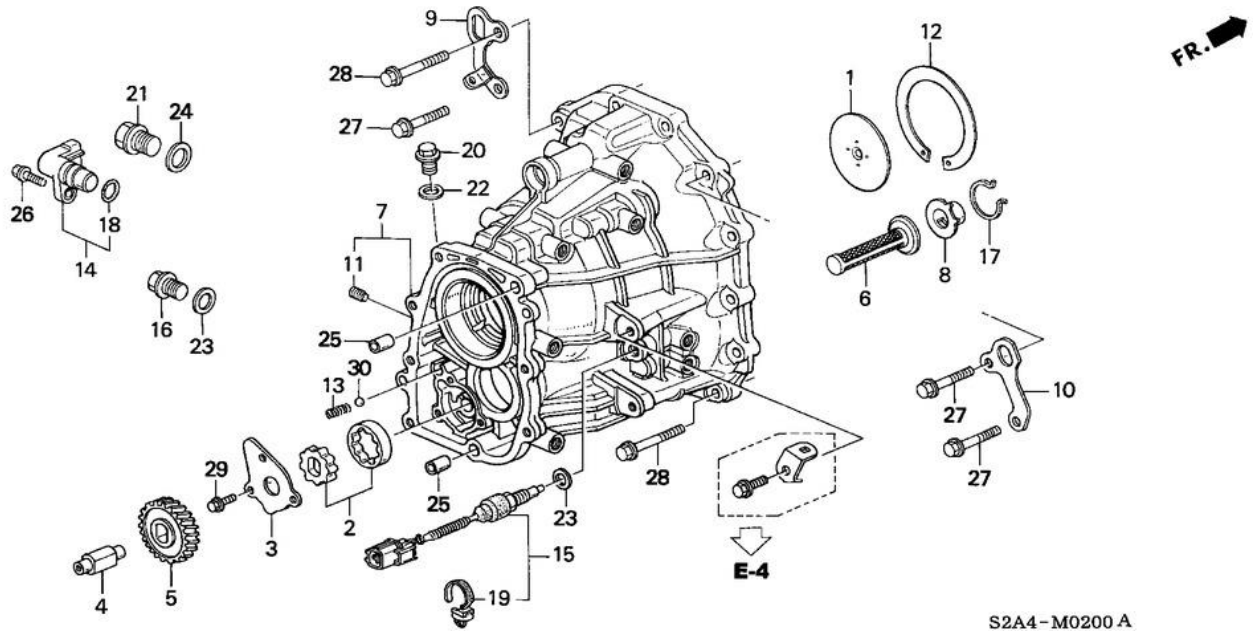
FR. →



S2A3-M0100A

Ref	Part No	Honda Part No	Description	Price (Each)	Req Qty
1	PFKL410461	21000PCY315	CASE COMP., CLUTCH	£0.00	1
2	PFKL411091	21120PG2003	MAGNET, TRANSMISSION	£12.98	1
3	PFKL978627	90083PJ3000	BOLT, SEALING, 34MM	£12.02	1
4	PFKL1007412	91216PG1005	OIL SEAL, 28X43X7 (NOK)	£10.79	1
5	PFKL1021720	9430114200	DOWEL PIN, 14X20	£2.97	2

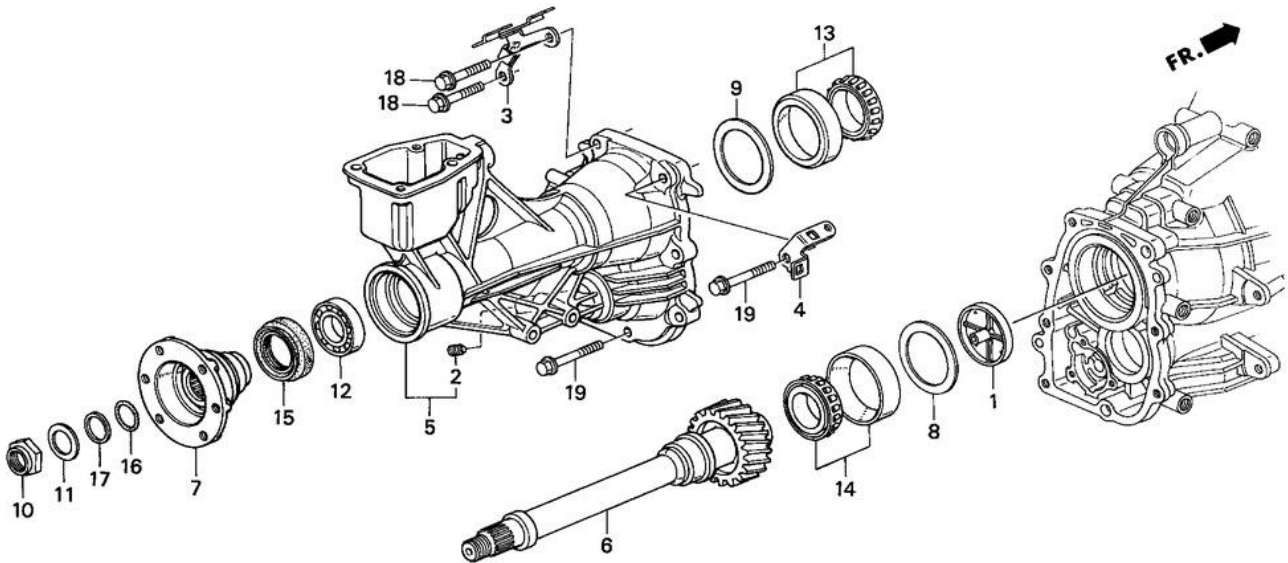
M-2 TRANSMISSION CASE



Ref	Part No	Honda Part No	Description	Price (Each)	Req Qty
1	PFKL410818	21104PX5010	PLATE M, OIL GUIDE	£8.12	1
2	PFKL411150	21168PCY305	ROTOR SET A, OIL PUMP (41)	£69.94	1
2	PFKL411151	21169PCY305	ROTOR SET B, OIL PUMP (41)	£69.94	1
2	PFKL411152	21170PCY305	ROTOR SET C, OIL PUMP (41)	£69.94	1
3	PFKL411157	21173PCY000	PLATE, OIL PUMP	£0.00	1
4	PFKL411167	21174PCY000	SHAFT, OIL PUMP	£0.00	1
5	PFKL411168	21175PCY000	GEAR, OIL PUMP	£45.70	1
6	PFKL411183	21180PR8016	STRAINER COMP., OIL PUMP	£41.03	1
7	PFKL411257	21200PCY000	CASE COMP., TRANSMISSION	£824.27	1
8	PFKL411628	21213PCY000	GUIDE, SUCTION	£0.00	1
9	PFKL411673	21220PCY000	HANGER COMP. A, TRANSMISSION	£12.10	1
10	PFKL411741	21225PCY000	HANGER, TRANSMISSION	£0.00	1
11	PFKL411970	21245PX4003	SCREW, SEALING	£8.09	1
12	PFKL434581	23943PR8F00	SHIM M, 82MM (0.96MM)	£0.00	1
12	PFKL434607	23944PR8F00	SHIM N, 82MM (0.99MM)	£0.00	1
12	PFKL434625	23945PR8F00	SHIM O, 82MM (1.02MM)	£0.00	1
12	PFKL434644	23946PR8F00	SHIM P, 82MM (1.05MM)	£0.00	1
12	PFKL434660	23947PR8F00	SHIM Q, 82MM (1.08MM)	£0.00	1
12	PFKL434677	23948PR8F00	SHIM R, 82MM (1.11MM)	£0.00	1
12	PFKL434691	23949PR8F00	SHIM S, 82MM (1.14MM)	£0.00	1
12	PFKL434706	23950PR8F00	SHIM T, 82MM (1.17MM)	£0.00	1
12	PFKL434723	23951PR8F00	SHIM U, 82MM (1.20MM)	£32.59	1
12	PFKL434559	23942PR8F00	SHIM L, 82MM (0.93MM)	£0.00	1
12	PFKL434530	23941PR8F00	SHIM K, 82MM (0.90MM)	£0.00	1
12	PFKL434506	23940PR8F00	SHIM J, 82MM (0.87MM)	£0.00	1
12	PFKL434310	23931PR8F00	SHIM A, 82MM (0.60MM)	£32.59	1
12	PFKL434344	23932PR8F00	SHIM B, 82MM (0.63MM)	£0.00	1

12	PFKL434365	23933PR8F00	SHIM C, 82MM (0.66MM)	£0.00	1
12	PFKL434391	23934PR8F00	SHIM D, 82MM (0.69MM)	£0.00	1
12	PFKL434412	23935PR8F00	SHIM E, 82MM (0.72MM)	£0.00	1
12	PFKL434433	23936PR8F00	SHIM F, 82MM (0.75MM)	£0.00	1
12	PFKL434450	23937PR8F00	SHIM G, 82MM (0.78MM)	£0.00	1
12	PFKL434468	23938PR8F00	SHIM H, 82MM (0.81MM)	£0.00	1
12	PFKL434487	23939PR8F00	SHIM I, 82MM (0.84MM)	£32.59	1
13	PFKL438864	24457PR8000	SPRING, RELIEF VALVE	£6.88	1
14	PFKL450285	28810PCJ014	PICK UP ASSY. (MATSUSHITA)	£135.71	1
15	PFKL533600	35600PCY003	SWITCH ASSY., BACK LIGHT	£28.34	1
16	PFKL978487	90081PB6000	BOLT, PLUG, 14MM	£11.84	1
17	PFKL997055	90604PCY000	CIRCLIP, 34.2	£5.11	1
18	PFKL1009936	91309PX4003	O-RING, 16X2.1 (NOK)	£4.52	1
19	PFKL1013182	91558PFD003	CLIP, HARNESS BAND (GRAY) (135MM) (7MM HOLE)	£4.59	1
20	PFKL1016785	9280012000	BOLT, DRAIN PLUG, 12MM	£3.71	1
21	PFKL1016788	9280020000	BOLT, DRAIN PLUG, 20MM	£5.18	1
22	PFKL1021514	9410912000	WASHER, DRAIN PLUG, 12MM	£1.70	1
23	PFKL1021515	9410914000	WASHER, DRAIN PLUG, 14MM	£1.70	2
24	PFKL1021517	9410920000	WASHER, DRAIN PLUG, 20MM	£1.70	1
25	PFKL1021720	9430114200	DOWEL PIN, 14X20	£2.97	2
26	PFKL1028286	957010601808	BOLT, FLANGE, 6X18	£1.92	1
27	PFKL1028514	957010804008	BOLT, FLANGE, 8X40	£2.14	12
28	PFKL1028529	957010805008	BOLT, FLANGE, 8X50	£2.38	2
29	PFKL1029668	960010601600	BOLT, FLANGE, 6X16	£2.21	3
30	PFKL1030027	9621110000	BALL, STEEL, #10 (5/16)	£0.91	1

M-2-10 SECONDARY SHAFT

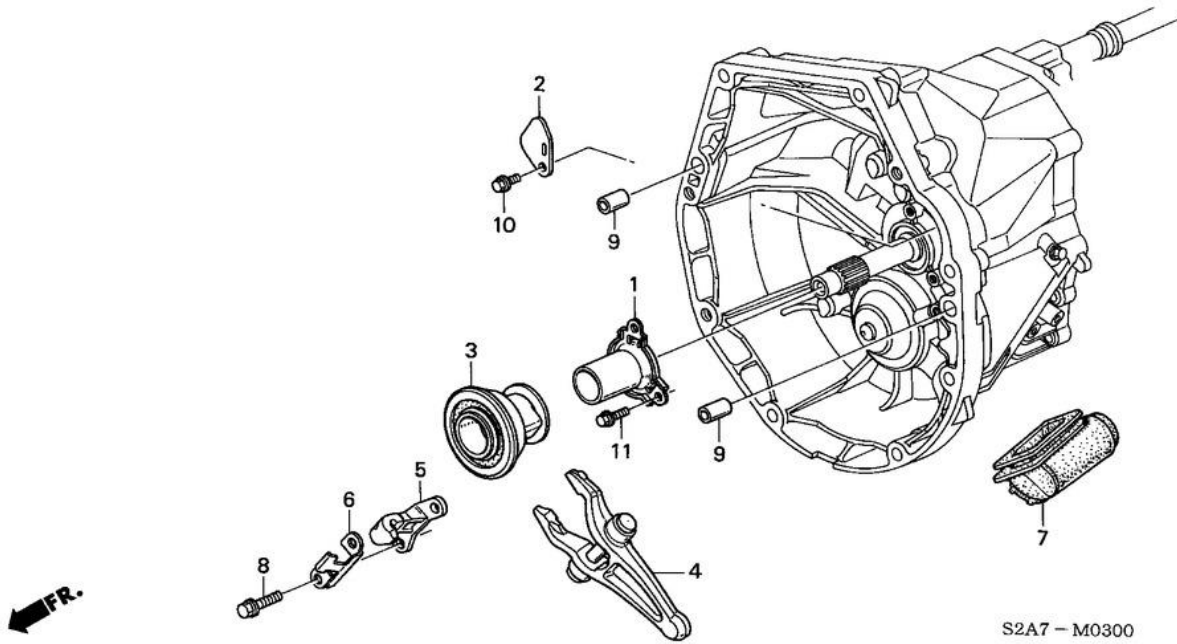


S2A7 - M0210

Ref	Part No	Honda Part No	Description	Price (Each)	Req Qty
1	PFKL410824	21105PCY000	PLATE, OIL GUIDE SETTING	£8.75	1
2	PFKL411970	21245PX4003	SCREW, SEALING	£8.09	1
3	PFKL412532	21390PCY010	STAY COMP., HARNESS	£9.27	1
4	PFKL412673	21398PCY000	CLAMP, HARNESS	£6.23	1
5	PFKL412752	21500PCY010	COVER COMP., RR.	£345.12	1
6	PFKL425588	23230PCY020	SHAFT COMP., SECONDARY	£191.03	1
7	PFKL573370	40441PCY010	FLANGE, COMPANION	£0.00	1
8	PFKL579498	41392PCY000	SHIM L, 68MM (1.23)	£10.70	1
8	PFKL579505	41393PCY000	SHIM M, 68MM (1.26)	£10.70	1
8	PFKL579511	41394PCY000	SHIM N, 68MM (1.29)	£0.00	1
8	PFKL579517	41395PCY000	SHIM O, 68MM (1.32)	£0.00	1
8	PFKL579523	41396PCY000	SHIM P, 68MM (1.35)	£0.00	1
8	PFKL579529	41397PCY000	SHIM Q, 68MM (1.38)	£10.70	1
8	PFKL579535	41398PCY000	SHIM R, 68MM (1.41)	£0.00	1
8	PFKL579540	41399PCY000	SHIM S, 68MM (1.44)	£10.70	1
8	PFKL579576	41400PCY000	SHIM T, 68MM (1.47)	£10.70	1
8	PFKL579491	41391PCY000	SHIM K, 68MM (1.20)	£0.00	1
8	PFKL579482	41390PCY000	SHIM J, 68MM (1.17)	£10.70	1
8	PFKL579474	41389PCY000	SHIM I, 68MM (1.14)	£10.70	1
8	PFKL579394	41382PCY000	SHIM B, 68MM (0.93)	£0.00	1
8	PFKL579413	41383PCY000	SHIM C, 68MM (0.96)	£10.70	1
8	PFKL579424	41384PCY000	SHIM D, 68MM (0.99)	£11.41	1
8	PFKL579374	41381PCY000	SHIM A, 68MM (0.90)	£10.70	1
8	PFKL579435	41385PCY000	SHIM E, 68MM (1.02)	£10.70	1
8	PFKL579446	41386PCY000	SHIM F, 68MM (1.05)	£10.70	1
8	PFKL579456	41387PCY000	SHIM G, 68MM (1.08)	£10.70	1
8	PFKL579466	41388PCY000	SHIM H, 68MM (1.11)	£0.00	1

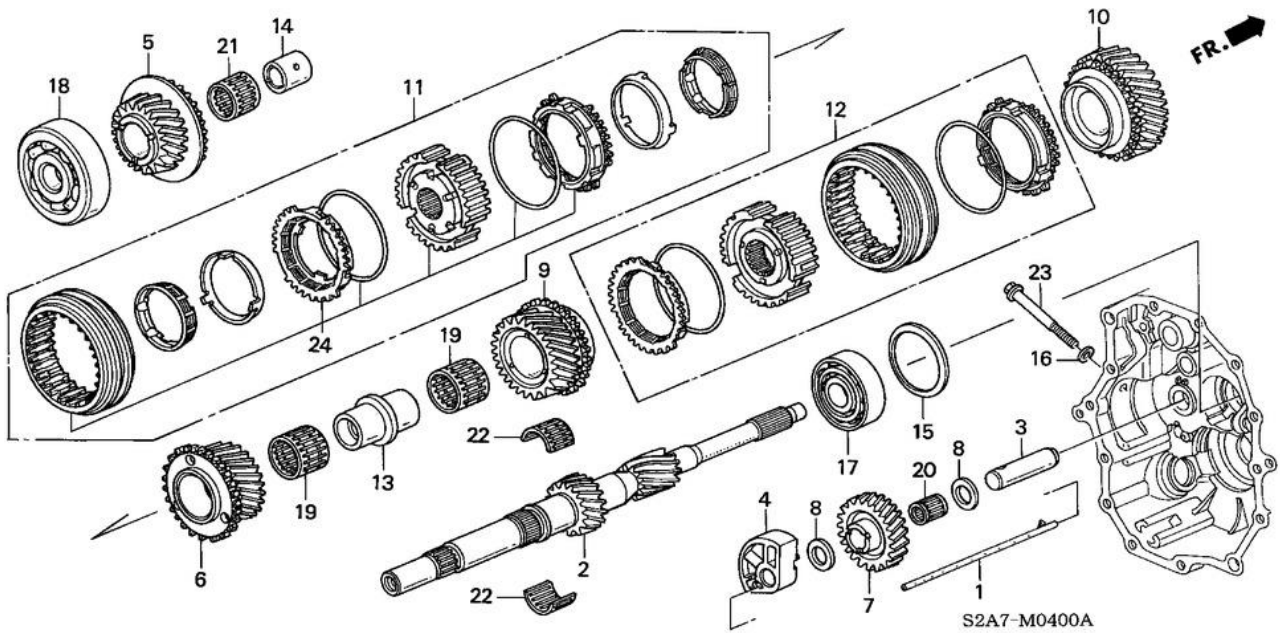
9	PFKL579424	41384PCY000	SHIM D, 68MM (0.99)	£11.41	1
10	PFKL988472	90203PCY000	NUT, HEX., 27MM	£8.12	1
11	PFKL991338	90402PL9000	WASHER, SPRING, 27MM	£8.19	1
12	PFKL1002602	91005PCY003	BEARING, BALL, 31X55X13	£28.05	1
13	PFKL1005461	91123PCY004	BEARING, TAPER, 41X68X20	£56.03	1
14	PFKL1005472	91124PCY004	BEARING, TAPER, 35X68X19	£56.03	1
15	PFKL1005681	91201PCY003	OIL SEAL, 40X60X9	£17.83	1
16	PFKL1008837	91301PCY003	O-RING, 28X2.6	£8.42	1
17	PFKL1009116	91302PCY003	RING, BACK UP, 28MM	£8.15	1
18	PFKL1028514	957010804008	BOLT, FLANGE, 8X40	£2.14	6
19	PFKL1028529	957010805008	BOLT, FLANGE, 8X50	£2.38	2

M-3 CLUTCH RELEASE



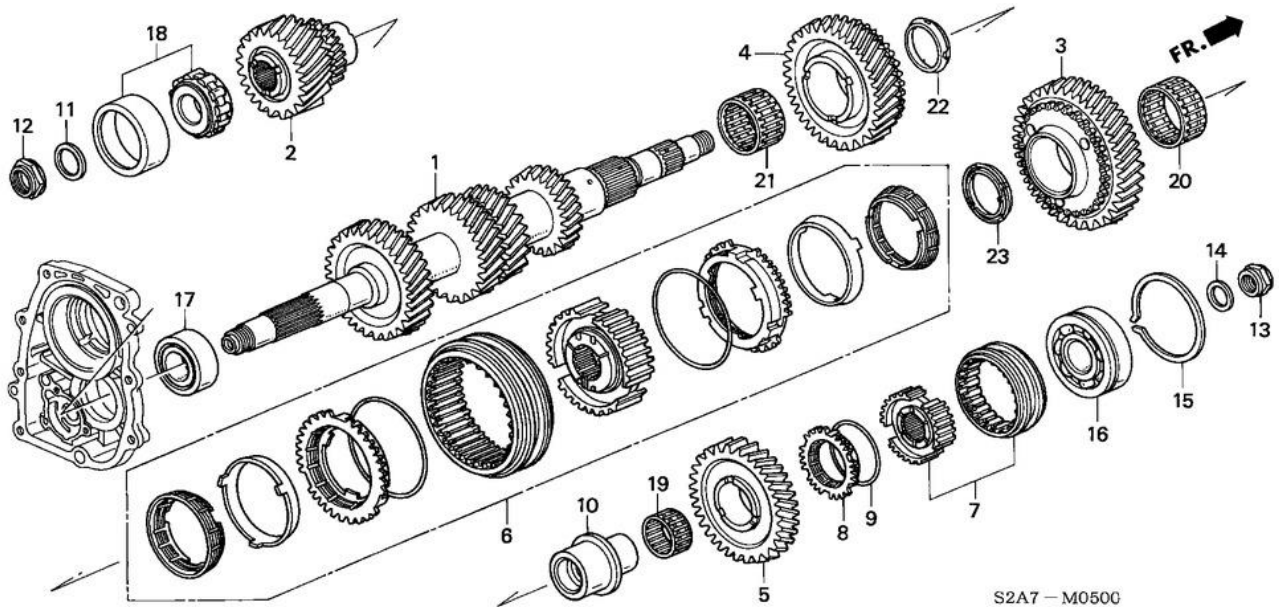
Ref	Part No	Honda Part No	Description	Price (Each)	Req Qty
1	PFKL410775	21103PCY003	GUIDE, RELEASE BEARING	£85.45	1
2	PFKL412675	21399PCY000	PLATE, BREATHER	£3.49	1
3	PFKL420415	22810PCY003	BEARING, CLUTCH RELEASE	£183.83	1
4	PFKL420697	22820PCY000	FORK COMP., CLUTCH RELEASE	£124.39	1
5	PFKL420860	22825PCY000	HANGER, CLUTCH RELEASE	£47.69	1
6	PFKL420974	22835PCY000	SPRING, RELEASE HANGER	£7.19	1
7	PFKL421078	22841PR8010	BOOT, RELEASE FORK	£53.42	1
8	PFKL977123	90031PR8000	BOLT, SPECIAL FLANGE, 8X22	£8.91	2
9	PFKL1021720	9430114200	DOWEL PIN, 14X20	£2.97	2
10	PFKL1028254	957010601208	BOLT, FLANGE, 6X12	£1.92	1
11	PFKL1028277	957010601608	BOLT, FLANGE, 6X16	£1.92	3

M-4 MAINSHAFT



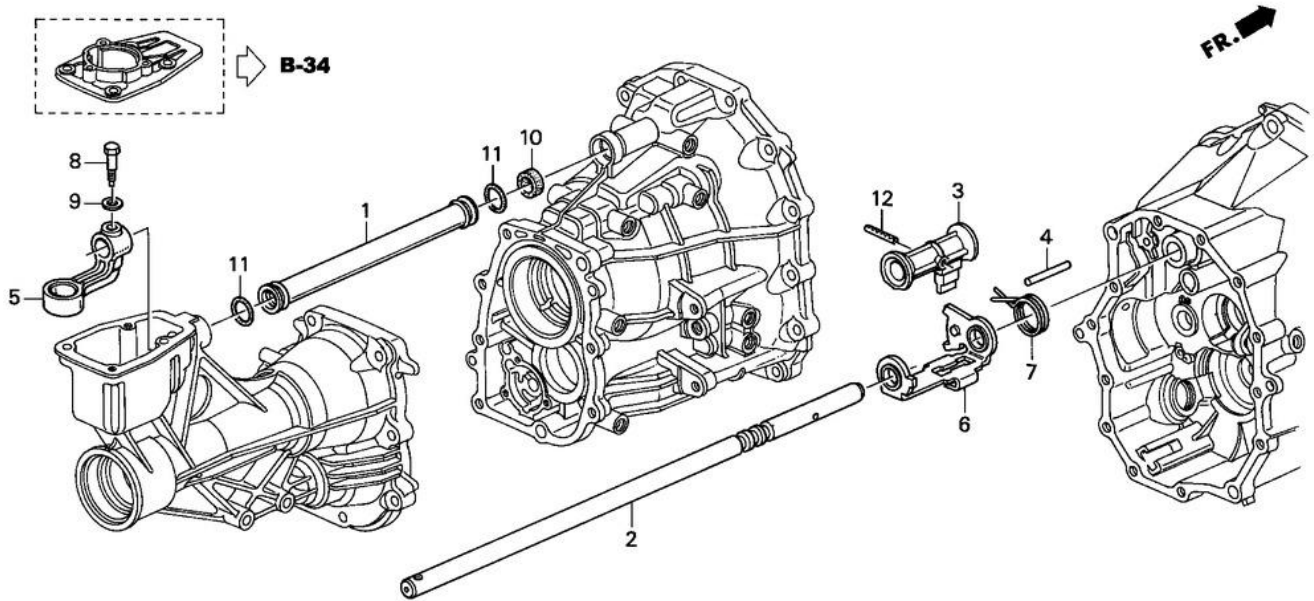
Ref	Part No	Honda Part No	Description	Price (Each)	Req Qty
1	PFKL411173	21177PCY000	PIPE, OIL GUIDE	£0.00	1
2	PFKL424127	23210PCY010	MAINSHAFT COMP.	£617.30	1
3	PFKL425853	23261PCY000	SHAFT, REVERSE IDLE GEAR	£0.00	1
4	PFKL425891	23262PCY000	HOLDER, REVERSE SHAFT	£22.78	1
5	PFKL427959	23440PCY010	GEAR COMP., MAINSHAFT THIRD	£334.10	1
6	PFKL428929	23451PCY010	GEAR, MAINSHAFT FOURTH	£200.83	1
7	PFKL432407	23541PCY000	GEAR, REVERSE IDLE	£114.02	1
8	PFKL432455	23546PCY000	WASHER, THRUST, 20X33X2	£0.00	2
9	PFKL432557	23581PCY010	GEAR, MAINSHAFT FIFTH	£207.02	1
10	PFKL432661	23591PCY010	GEAR, MAINSHAFT SIXTH	£220.90	1
12	PFKL432799	23626PCY316	SLEEVE SET, SYNCHRONIZER (5-6)	£368.67	1
13	PFKL434144	23917PCY000	COLLAR, DISTANCE, 35X42X69	£55.57	1
14	PFKL434168	23919PCY000	COLLAR, DISTANCE, 28X35X35.2	£0.00	1
15	PFKL434277	23927PYZ000	WASHER, SPRING, 64MM	£8.25	1
16	PFKL993783	90471580000	PACKING, 8MM	£2.07	1
17	PFKL1001932	91002PCY003	BEARING, BALL, 28X64X18	£49.05	1
18	PFKL1002143	91003PCY003	BEARING, BALL, 28X82X22	£97.08	1
19	PFKL1005246	91105PCY003	BEARING, NEEDLE, 42X47X30.5	£21.03	2
20	PFKL1005318	91106PY5008	BEARING, NEEDLE, 20X25X26.5	£17.77	1
21	PFKL1005335	91107PCY013	BEARING, NEEDLE, 35X40X35	£19.73	1
22	PFKL1005374	91109PCY003	BEARING, NEEDLE, 39X44X26	£16.40	2
23	PFKL1029184	958010806508	BOLT, FLANGE, 8X65	£2.14	1
24	PFKL432721	23623PCY316	SLEEVE SET, SYNCHRONIZER (3-4)	£585.95	1

M-5 COUNTERSHAFT



Ref	Part No	Honda Part No	Description	Price (Each)	Req Qty
1	PFKL425308	23221PCY010	COUNTERSHAFT	£0.00	1
2	PFKL425779	23241PCY000	GEAR, SECONDARY DRIVE	£240.90	1
3	PFKL426869	23421PCY010	GEAR, COUNTERSHAFT LOW	£240.96	1
4	PFKL427582	23431PCY020	GEAR, COUNTERSHAFT SECOND	£200.83	1
5	PFKL432165	23521PCY000	GEAR, COUNTERSHAFT REVERSE	£0.00	1
6	PFKL432692	23618PCY326	SLEEVE SET, SYNCHRONIZER (1-2)	£629.63	1
7	PFKL432869	23627PCY000	SLEEVE SET, REVERSE HUB	£151.87	1
8	PFKL432949	23643PG1912	RING, BLOCKING, 50S	£98.57	1
9	PFKL432994	23652PB6000	SPRING, SYNCHRONIZER (50MM)	£8.42	1
10	PFKL434156	23918PCY000	COLLAR, DISTANCE, 31X40X38X51X5	£0.00	1
11	PFKL434222	23925PCY000	WASHER, SPRING, 29MM	£7.43	1
12	PFKL988393	90202PCY000	NUT, 29MM	£8.12	1
13	PFKL988472	90203PCY000	NUT, HEX., 27MM	£8.12	1
14	PFKL991338	90402PL9000	WASHER, SPRING, 27MM	£8.19	1
15	PFKL997258	90609PC8000	RING, SNAP, 68MM	£7.45	1
16	PFKL1002376	91004PCY005	BEARING, BALL, 28X68X18	£42.00	1
17	PFKL1004986	91102PCY003	BEARING, NEEDLE, 34X56X20	£63.03	1
18	PFKL1005183	91104PCY003	BEARING, NEEDLE, 30X64X20	£69.39	1
19	PFKL1005209	91104P21008	BEARING, NEEDLE, 38X43X26 (NTN)	£30.02	1
20	PFKL1005386	91110PCY003	BEARING, NEEDLE, 51X57X23	£19.70	1
21	PFKL1005390	91111PCY003	BEARING, NEEDLE, 44X50X28	£19.70	1
22	PFKL1007126	91211PH8T01	DAMPER, FRICTION (LOW) (KOYO)	£18.48	1

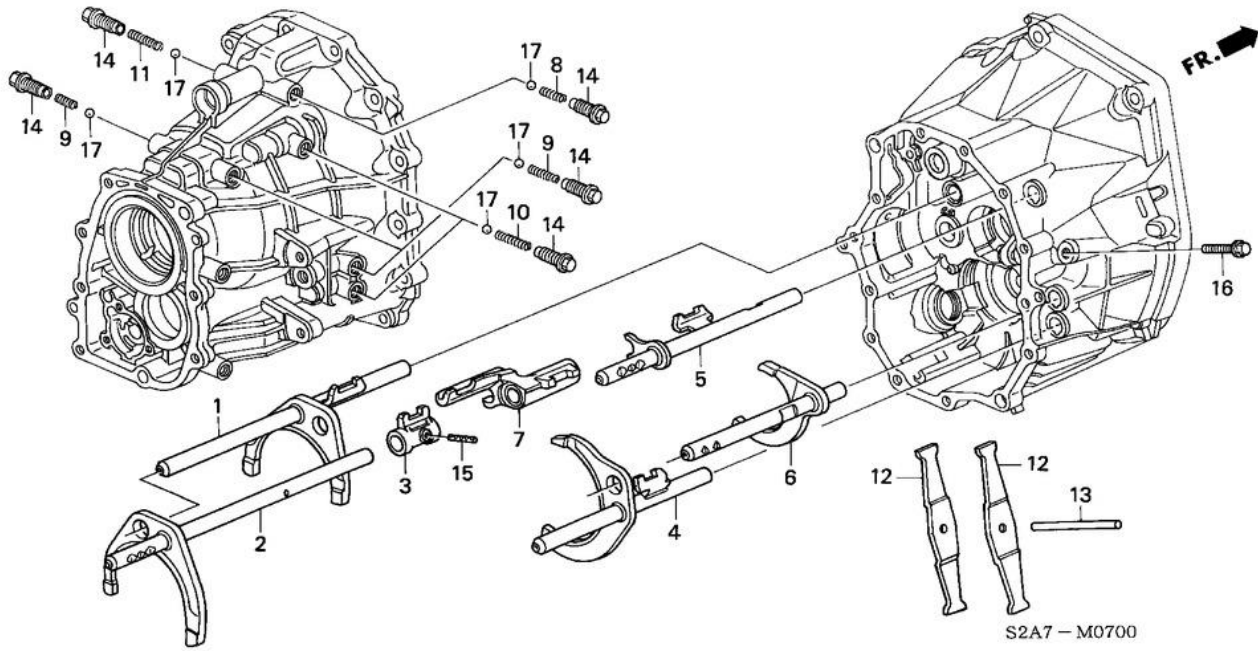
M-6 SHIFT ARM



S2A3- M0600A

Ref	Part No	Honda Part No	Description	Price (Each)	Req Qty
1	PFKL412958	21601PCY000	PIPE, SHIFT ROD	£29.85	1
2	PFKL437283	24311PCY000	ROD, SHIFT	£97.11	1
3	PFKL437956	24411PCY000	ARM A, SHIFT	£77.21	1
4	PFKL438081	24413PCY003	PIN, 8X40	£3.20	1
5	PFKL438147	24421PCY000	ARM B, SHIFT	£60.01	1
6	PFKL438281	24430PCY000	INTERLOCK COMP.	£77.21	1
7	PFKL438868	24458PCY000	SPRING, SELECT RETURN	£8.20	1
8	PFKL977012	90029PL3010	BOLT, SPECIAL, 8MM	£5.58	1
9	PFKL991869	90412679000	WASHER, CONICAL SPRING, 8MM	£2.79	1
10	PFKL1007067	91209PCY003	OIL SEAL, 16X26X6.5X7.1	£10.17	1
11	PFKL1010064	91312P13000	O-RING, 22.2X3.2	£6.35	2
12	PFKL1021864	9430550252	PIN, SPRING, 5X25	£2.41	1

M-7 SHIFT FORK



Ref	Part No	Honda Part No	Description	Price (Each)	Req Qty
1	PFKL435431	24200PCY000	FORK COMP., FIFTH-SIXTH SHIFT	£148.93	1
2	PFKL435503	24210PCY000	FORK COMP., GEARSHIFT (3-4)	£111.74	1
3	PFKL436050	24214PCY000	PIECE, THIRD-FOURTH SHIFT	£58.47	1
4	PFKL436067	24220PCY000	FORK COMP., GEARSHIFT (1-2)	£148.93	1
5	PFKL436257	24226PCY000	PIECE COMP., SHIFT (1-2)	£0.00	1
6	PFKL436265	24230PCY000	FORK COMP., REVERSE SHIFT	£0.00	1
7	PFKL436396	24234PCY000	PIECE COMP., REVERSE SHIFT	£0.00	1
8	PFKL438833	24454PCY000	SPRING, SELECT	£5.67	1
9	PFKL438844	24455PCY000	SPRING A, FORK SET BALL	£5.67	3
10	PFKL438853	24456PCY000	SPRING B, FORK SET BALL	£4.50	2
11	PFKL438862	24457PCY000	SPRING, SHIFT	£5.67	1
12	PFKL439053	24491PCY000	LEVER, SHIFT (1-2)	£0.00	2
13	PFKL439056	24494PCY003	PIN, 8X63	£0.00	1
14	PFKL439081	24519PB6000	SCREW, BALL SPRING SETTING	£7.30	7
15	PFKL1021862	9430550222	PIN, SPRING, 5X22	£2.41	1
16	PFKL1028625	957011003008	BOLT, FLANGE, 10X30	£2.38	1
17	PFKL1030027	9621110000	BALL, STEEL, #10 (5/16)	£0.91	7