

Honda S2000

2006+

Parts Catalog

December 2017

Compiled December 2017, using Lings Honda Parts - <http://www.lingshondaparts.com/>

Prices were correct when compiled, always check for current prices and availability.

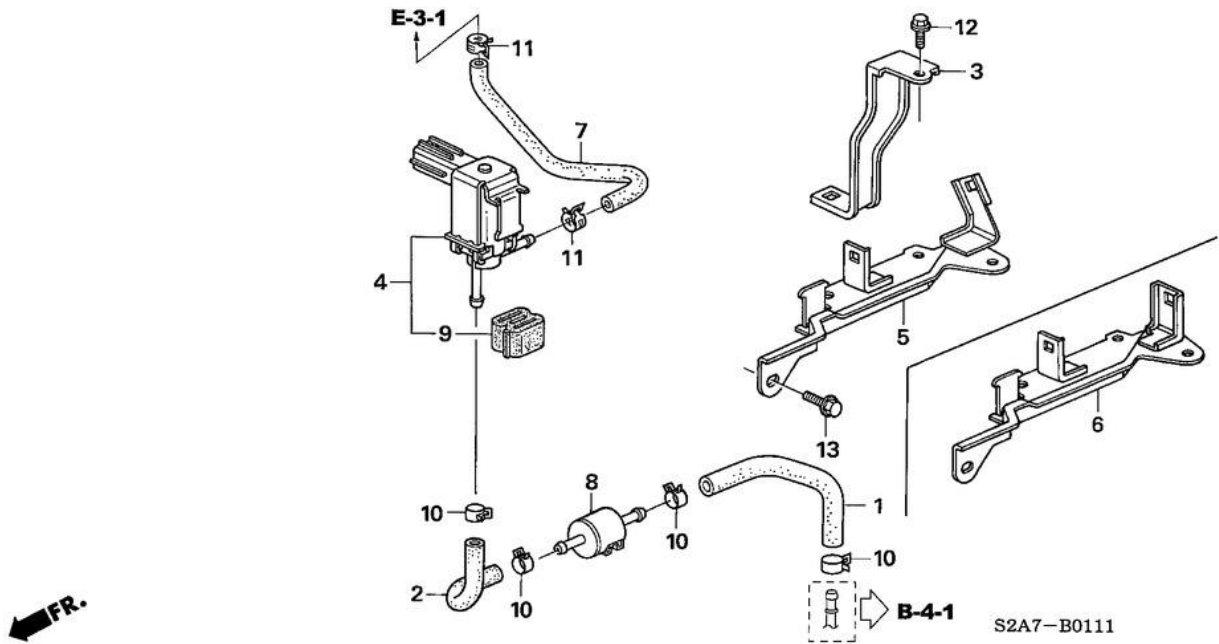
Contents

| | | |
|---------|-------------------------------------|----|
| B-1-1 | PURGE CONTROL SOLENOID VALVE ('06-) | 1 |
| B-1-2 | VACUUM TANK | 6 |
| B-1-3 | AIR PUMP | 7 |
| B-2 | EXHAUST PIPE/SILENCER | 8 |
| B-3-1 | FUEL TANK ('06-) | 9 |
| B-4-1 | FUEL PIPE ('06-) | 11 |
| B-5 | RADIATOR (DENSO) | 13 |
| B-5-10 | RADIATOR HOSE | 14 |
| B-1 | AIR CLEANER | 15 |
| B-6-1 | BATTERY (RH) | 16 |
| B-7-1 | WIRE HARNESS (RH) | 17 |
| B-7-10 | HARNESS BAND/BRACKET | 18 |
| B-8-1 | HEADLIGHT ('04-) | 20 |
| B-9-1 | TAILLIGHT ('04-) | 21 |
| B-10 | INTERIOR LIGHT | 22 |
| B-11 | COMBINATION SWITCH | 23 |
| B-11-11 | SWITCH (RH) | 24 |
| B-12-11 | METER COMPONENTS (NS) ('04-) | 25 |
| B-13-1 | CONTROL UNIT(ENGINE ROOM) (RH) | 26 |
| B-13-11 | CONTROL UNIT (CABIN) (RH) | 28 |
| B-13-43 | SRS UNIT (RH)('06-) | 30 |
| B-14-1 | FRONT WINDSHIELD WIPER (RH) | 31 |
| B-15 | WINDSHIELD WASHER | 32 |
| B-16 | RADIO ANTENNA/SPEAKER | 35 |
| B-16-10 | AUTO RADIO | 36 |
| B-17-1 | HEATER CONTROL (RH) | 37 |
| B-17-11 | HEATER BLOWER (RH) | 38 |
| B-17-21 | HEATER UNIT (RH) | 40 |
| B-17-31 | WATER VALVE (RH) | 41 |
| B-18 | TIRE/WHEEL DISKS | 42 |
| B-19-10 | REAR BRAKE | 44 |
| B-20 | PROPELLER SHAFT | 46 |
| B-20-10 | REAR DIFFERENTIAL | 47 |
| B-20-20 | REAR DIFFERENTIAL MOUNT | 49 |
| B-20-30 | REAR DRIVESHAFT | 50 |
| B-22 | FRONT BRAKE | 51 |
| B-23-1 | PEDAL (RH) | 53 |
| B-23-10 | ACCELERATOR SENSOR | 55 |
| B-23-23 | CLUTCH MASTER CYLINDER (RH) ('04-) | 56 |

| | | |
|---------|---|-----|
| B-24 | BRAKE MASTER CYLINDER/ MASTER POWER | 58 |
| B-24-13 | ABS MODULATOR (RH) ('04-)..... | 59 |
| B-25-13 | BRAKE LINES (ABS) (RH) ('04-) | 60 |
| B-26 | PARKING BRAKE..... | 61 |
| B-27 | FRONT KNUCKLE..... | 62 |
| B-28 | FRONT SHOCK ABSORBER..... | 64 |
| B-29 | REAR STABILIZER/ REAR LOWER ARM | 65 |
| B-30 | REAR SHOCK ABSORBER | 67 |
| B-31-10 | STEERING WHEEL (SRS)..... | 68 |
| B-32 | STEERING COLUMN | 69 |
| B-33-11 | P.S. GEAR BOX (RH)..... | 70 |
| B-34 | SHIFT LEVER | 71 |
| B-36 | FLOOR MAT | 72 |
| B-36-10 | GROMMET | 74 |
| B-37-1 | INSTRUMENT PANEL (RH)..... | 75 |
| B-37-11 | INSTRUMENT PANEL GARNISH (RH) | 77 |
| B-37-21 | DUCT (RH)..... | 78 |
| B-37-41 | CONSOLE ('04-) | 79 |
| B-38-10 | SOFT TOP FRAME..... | 81 |
| B-38-21 | SOFT TOP CLOTH ('02-) | 84 |
| B-39 | PILLAR GARNISH | 85 |
| B-39-10 | DOOR LINING..... | 87 |
| B-39-31 | ROLL BAR GARNISH ('06-) | 89 |
| B-39-40 | TRUNK LINING | 90 |
| B-39-50 | REAR TRAY | 91 |
| B-40 | SEAT | 92 |
| B-40-10 | SEAT COMPONENTS (L.) | 94 |
| B-40-20 | SEAT COMPONENTS (R.)..... | 95 |
| B-41-20 | SEATBELTS | 96 |
| B-42 | EMBLEMS/CAUTION LABELS..... | 97 |
| B-42-10 | MOLDING/PROTECTOR..... | 98 |
| B-43 | MIRROR | 100 |
| B-44 | TOOLS/JACK..... | 102 |
| B-46 | BUMPERS..... | 103 |
| B-47 | ENGINE MOUNTS..... | 106 |
| B-48 | CROSS BEAM..... | 107 |
| B-49 | FRONT BULKHEAD/DASHBOARD | 108 |
| B-49-10 | FLOOR/INNER PANELS | 110 |
| B-49-20 | OUTER PANELS/REAR PANEL..... | 112 |
| B-50 | FRONT FENDERS | 114 |

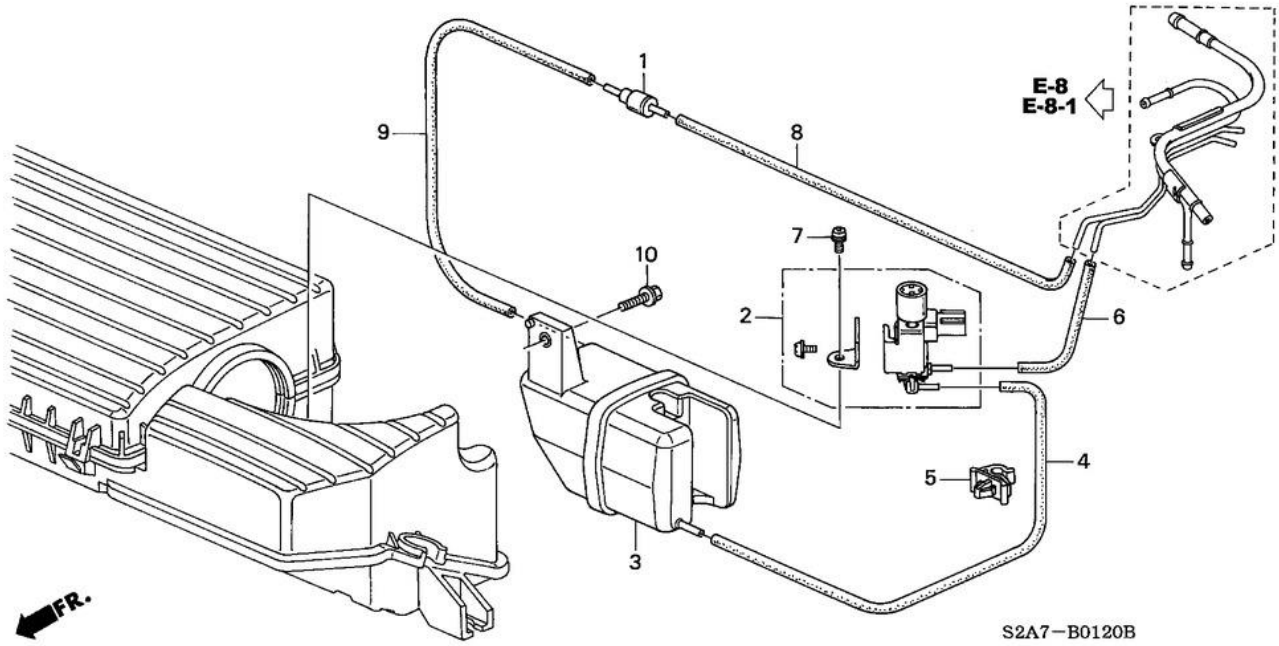
| | | |
|---------|--|-----|
| B-51-1 | ENGINE HOOD (RH) | 115 |
| B-52 | FRONT WINDSHIELD | 117 |
| B-53 | DOOR WINDOWS/REGULATOR | 118 |
| B-53-10 | DOOR LOCKS/OUTER HANDLE | 120 |
| B-53-20 | DOOR PANELS | 123 |
| B-55-10 | TRUNK LID | 125 |
| B-57 | AIR CONDITIONER (COMPRESSOR) | 127 |
| B-58 | AIR CONDITIONER (CONDENSER) | 128 |
| B-60 | AIR CONDITIONER (HOSES/PIPES) (RH) | 129 |
| B-70 | ROOF PANEL (HARD TOP) | 130 |
| B-71 | ROOF LINING (HARD TOP) | 132 |
| Z-12 | WIRE HARNESS (HARD TOP) | 133 |
| E-1-1 | THROTTLE BODY ('06-) | 134 |
| E-3-1 | INTAKE MANIFOLD ('06-) | 135 |
| E-4 | EXHAUST MANIFOLD | 137 |
| E-5 | PLUG HOLE COIL | 138 |
| E-6 | AUTO TENSIONER BRACKET | 139 |
| E-6-10 | ALTERNATOR (DENSO) | 140 |
| E-7-1 | ENGINE WIRE HARNESS (RH) | 141 |
| E-7-10 | STARTER MOTOR (DENSO) | 142 |
| E-8-1 | BREATHER PIPE ('06-) | 143 |
| E-9-1 | CYLINDER HEAD COVER ('06-) | 144 |
| E-10 | CYLINDER HEAD | 145 |
| E-11 | CAMSHAFT/CAM CHAIN | 147 |
| E-11-10 | CHAIN CASE | 148 |
| E-12 | VALVE/ROCKER ARM | 149 |
| E-13 | OIL PUMP/OIL STRAINER | 150 |
| E-14 | CYLINDER BLOCK/OIL PAN | 151 |
| E-15 | WATER PUMP | 152 |
| E-15-11 | WATER HOSE ('06-) | 153 |
| E-16 | PISTON/CRANKSHAFT | 154 |
| E-18 | CLUTCH | 156 |

B-1-11 PURGE CONTROL SOLENOID VALVE ('06-)



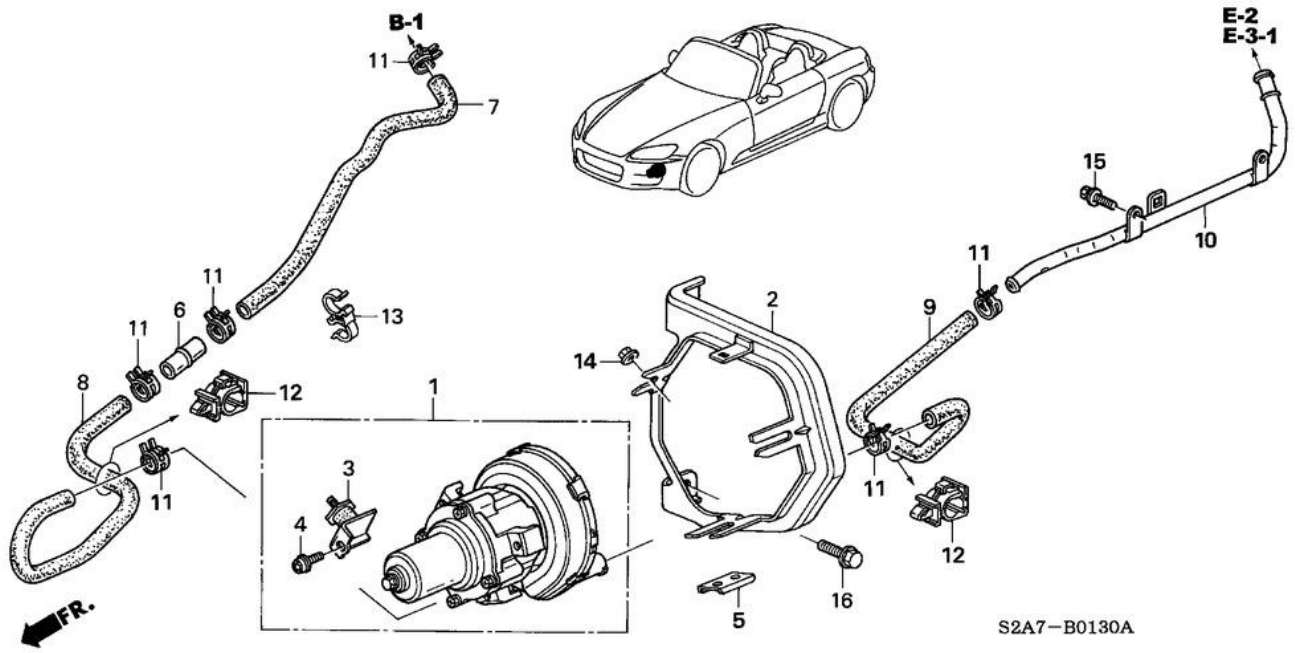
| Ref | Part No | Honda Part No | Description | Price (Each) | Req Qty |
|-----|-----------------------------|---------------|-------------------------------------|--------------|---------|
| 1 | PFKL373890 | 17717S2AA30 | TUBE A, PURGE | £7.22 | 1 |
| 2 | PFKL373906 | 17718S2A950 | TUBE B, PURGE | £0.00 | 1 |
| 3 | PFKL374435 | 17729S2A930 | STAY, PURGE TUBE | £7.54 | 1 |
| 4 | PFKL538549 | 36160PCX003 | VALVE ASSY., PURGE CONTROL SOLENOID | £220.86 | 1 |
| 6 | PFKL538681 | 36164PCX000 | STAY COMP., PURGE CONTROL SOLENOID | £0.00 | 1 |
| 7 | PFKL538708 | 36165PCXJ01 | HOSE, PURGE | £7.16 | 1 |
| 8 | PFKL538753 | 36166PAAA01 | JOINT, PURGE | £18.14 | 1 |
| 9 | PFKL538771 | 36166P0AA01 | RUBBER, MOUNTING | £7.38 | 1 |
| 10 | PFKL1011295 | 91406SAA000 | CLAMP, TUBE (D12) | £2.50 | 4 |
| 11 | PFKL1011331 | 91408SDB000 | CLAMP, TUBE (D13.0) | £7.74 | 2 |
| 12 | PFKL1017477 | 934050601608 | BOLT-WASHER, 6X16 | £2.30 | 1 |
| 13 | PFKL1028254 | 957010601208 | BOLT, FLANGE, 6X12 | £1.87 | 2 |

B-1-20 VACUUM TANK

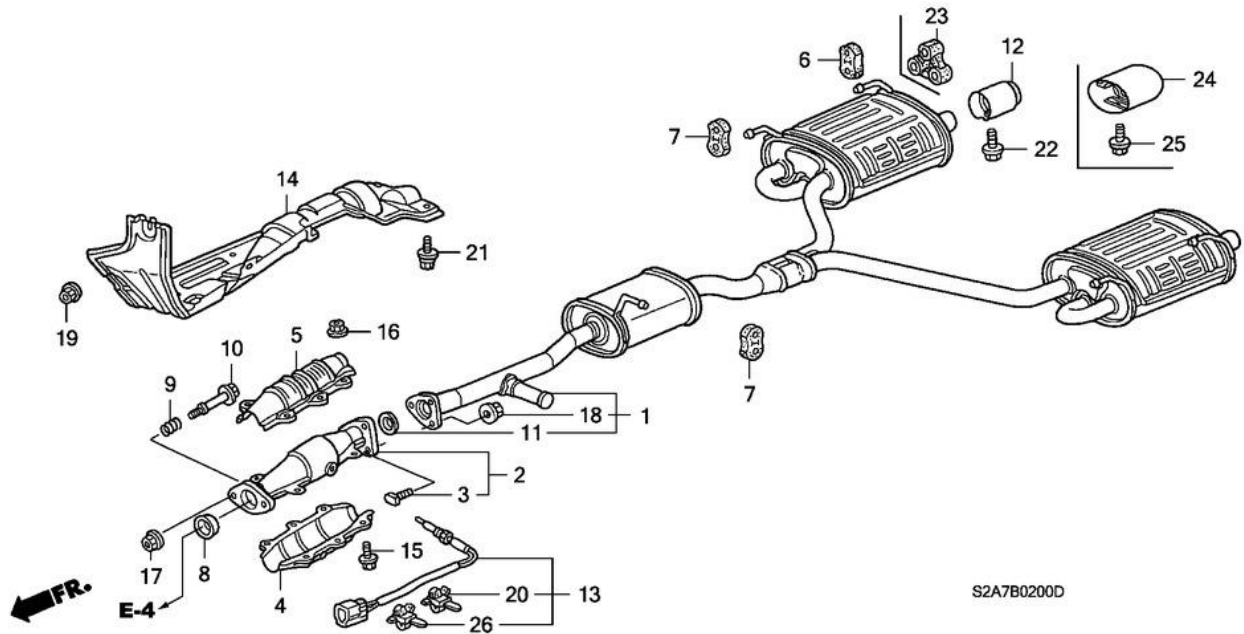


| Ref | Part No | Honda Part No | Description | Price (Each) | Req Qty |
|-----|-----------------------------|---------------|-------------------------------------|--------------|---------|
| 1 | PFKL538471 | 36145PM4004 | VALVE, CHECK | £47.22 | 1 |
| 2 | PFKL538656 | 36163PCXG01 | VALVE ASSY., SECOND AIR CONTROL | £140.36 | 1 |
| 3 | PFKL539263 | 36351PCXG01 | TANK COMP., VACUUM | £27.16 | 1 |
| 4 | PFKL539278 | 36353PCX000 | TUBE A, SECOND AIR CONTROL SOLENOID | £9.03 | 1 |
| 5 | PFKL539279 | 36354PCX003 | CLAMP, TUBE (3.5) | £4.03 | 3 |
| 6 | PFKL539280 | 36355PCX000 | TUBE B, SECOND AIR CONTROL SOLENOID | £7.25 | 1 |
| 7 | PFKL1019756 | 938920501007 | SCREW-WASHER, 5X10 | £1.51 | 1 |
| 8 | PFKL1025311 | 950053520010S | TUBE, 3.5X200 (95005-35001-10M) | £0.00 | 1 |
| 9 | PFKL1025712 | 950053530010S | TUBE, 3.5X265 (95005-35001-10M) | £0.00 | 1 |
| 10 | PFKL1028277 | 957010601608 | BOLT, FLANGE, 6X16 | £1.87 | 1 |

B-1-30 AIR PUMP

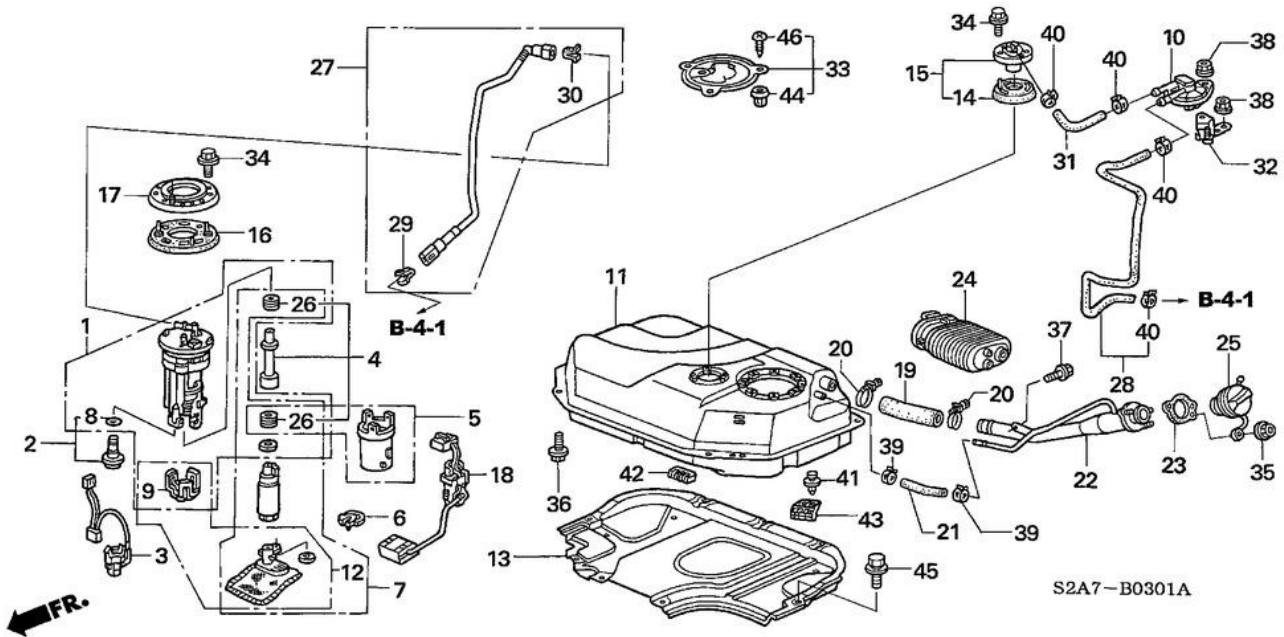


| Ref | Part No | Honda Part No | Description | Price (Each) | Req Qty |
|-----|-----------------------------|---------------|----------------------------|--------------|---------|
| 1 | PFKL396544 | 18760PCX003 | PUMP ASSY., AIR | £1,290.10 | 1 |
| 2 | PFKL396565 | 18761PCX000 | BASE COMP., AIR PUMP | £27.36 | 1 |
| 3 | PFKL396567 | 18762PCX003 | GROMMET | £4.88 | 5 |
| 4 | PFKL396568 | 18763PCX003 | SCREW | £2.68 | 3 |
| 5 | PFKL396570 | 18764PCX000 | COLLAR, AIR PUMP BASE | £3.85 | 2 |
| 6 | PFKL396612 | 18791PCX000 | JOINT, SECOND AIR HOSE | £0.00 | 1 |
| 7 | PFKL396614 | 18793PCX000 | HOSE A, SECOND AIR | £33.84 | 1 |
| 8 | PFKL396629 | 18797PCX000 | HOSE B, SECOND AIR | £0.00 | 1 |
| 9 | PFKL396633 | 18798PCX000 | HOSE C, SECOND AIR | £27.06 | 1 |
| 10 | PFKL396641 | 18801PCXG00 | PIPE COMP., SECOND AIR | £0.00 | 1 |
| 11 | PFKL407190 | 19517KM9000 | CLIP, WATER HOSE | £6.55 | 6 |
| 12 | PFKL1012556 | 91536SR3003 | CLIP, SUCTION PIPE (BLACK) | £7.09 | 2 |
| 13 | PFKL1012829 | 91551SD5003 | CLAMP, HEATER | £4.84 | 1 |
| 14 | PFKL1021328 | 9405006080 | NUT, FLANGE, 6MM | £2.16 | 5 |
| 15 | PFKL1028254 | 957010601208 | BOLT, FLANGE, 6X12 | £1.87 | 2 |
| 16 | PFKL1028447 | 957010801608 | BOLT, FLANGE, 8X16 | £2.14 | 2 |



| Ref | Part No | Honda Part No | Description | Price (Each) | Req Qty |
|-----|-----------------------------|---------------|---|--------------|---------|
| 1 | PFKL380656 | 18030S2AA01 | SILENCER SET, EX. | £389.34 | 1 |
| 2 | PFKL381803 | 18160PCXG01 | CONVERTER COMP. | £1,609.63 | 1 |
| 3 | PFKL382271 | 18176P08003 | BOLT, CONVERTER | £6.82 | 3 |
| 4 | PFKL382288 | 18181PCXA00 | COVER COMP., LOWER | £147.46 | 1 |
| 5 | PFKL382375 | 18182PCXA00 | COVER COMP., UPPER | £157.34 | 1 |
| 7 | PFKL383494 | 18215S2A000 | RUBBER, EX. MOUNTING | £8.27 | 3 |
| 8 | PFKL384654 | 18229PCX003 | GASKET, EX. FLEXIBLE | £26.14 | 1 |
| 9 | PFKL384707 | 18230SV4000 | SPRING, FLEXIBLE JOINT | £5.15 | 2 |
| 10 | PFKL384776 | 18231SR3A22 | BOLT B, FLEXIBLE JOINT | £4.61 | 2 |
| 11 | PFKL387323 | 18302SP0003 | GASKET, EX. PIPE | £7.87 | 1 |
| 13 | PFKL540104 | 36532PZX004 | SENSOR, RR. OXYGEN | £251.57 | 1 |
| 14 | PFKL802274 | 74601S2A000 | PLATE COMP., FR. FLOOR HEAT BAFFLE | £0.00 | 1 |
| 15 | PFKL976714 | 90023PCX000 | BOLT-WASHER, 6X16 | £4.43 | 6 |
| 16 | PFKL983022 | 90115SL5A00 | NUT, FLANGE, 6MM | £6.32 | 6 |
| 17 | PFKL983059 | 90115659003 | NUT, SELF-LOCK, 8MM | £5.89 | 2 |
| 18 | PFKL988666 | 90212SA5003 | NUT, SELF-LOCK, 10MM | £1.87 | 3 |
| 19 | PFKL989126 | 90301SV7000 | NUT, PAINT CUTTING, 6MM | £6.95 | 2 |
| 20 | PFKL1012008 | 91507P01003 | CLIP B, HARNESS BAND (DARK BROWN) (129.4MM) | £4.79 | 1 |
| 21 | PFKL1017467 | 934050601208 | BOLT-WASHER, 6X12 | £2.14 | 4 |
| 23 | PFKL383503 | 18215S6MJ01 | RUBBER, EX. MOUNTING | £6.77 | 2 |
| 24 | PFKL389110 | 18310S2AA02 | FINISHER, EX. | £87.66 | 2 |
| 25 | PFKL1028241 | 957010601008 | BOLT, FLANGE, 6X10 | £1.87 | 2 |
| 26 | PFKL1011974 | 91506P01003 | CLIP A, HARNESS BAND (DARK GRAY) (129.4MM) | £4.79 | 1 |

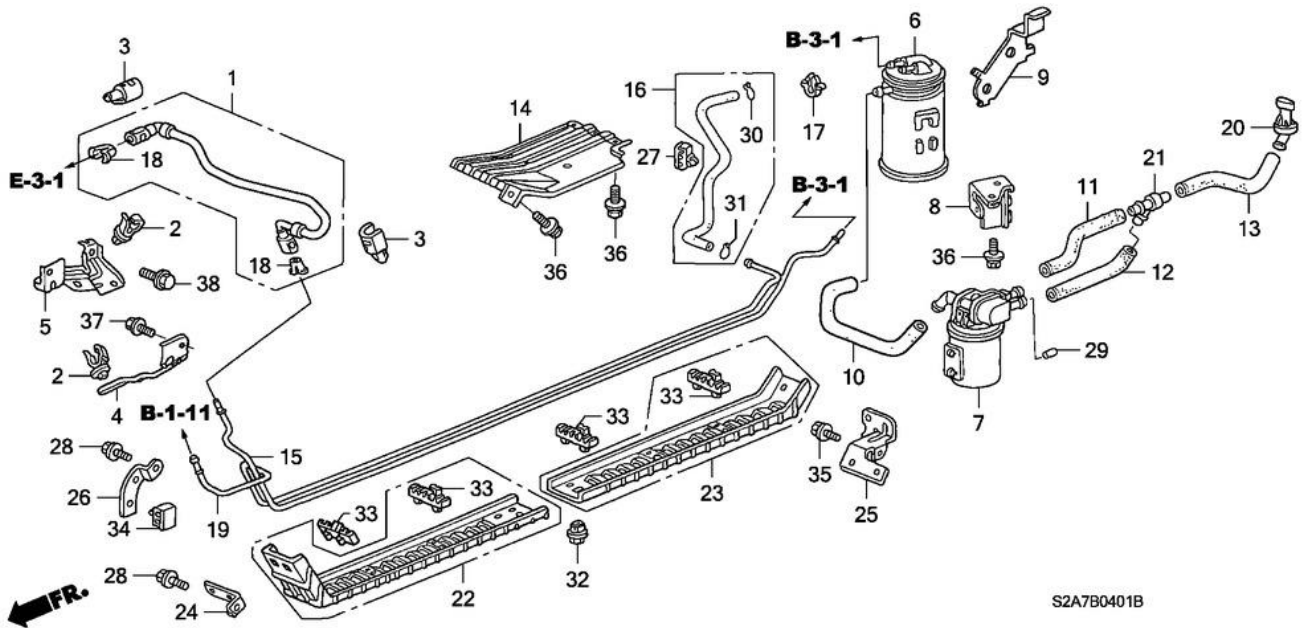
B-3-1 FUEL TANK ('06-)



| Ref | Part No | Honda Part No | Description | Price (Each) | Req Qty |
|-----|----------------------------|---------------|---------------------------------|--------------|---------|
| 1 | PFKL317231 | 16010SDGH00 | STRAINER SET, FUEL | £43.24 | 1 |
| 2 | PFKL319587 | 16015S2AA50 | REGULATOR ASSY. | £0.00 | 1 |
| 3 | PFKL320040 | 16016SDGH00 | WIRE COMP., LEAD | £25.72 | 1 |
| 4 | PFKL320289 | 16017S9ET00 | PIPE SET, JOINT (A) | £8.14 | 1 |
| 5 | PFKL320438 | 16019SDCE00 | HOUSING ASSY. | £9.50 | 1 |
| 6 | PFKL340647 | 16711S5HT31 | RUBBER, FUEL PUMP INSULATOR | £5.13 | 1 |
| 7 | PFKL347657 | 17040S2AA50 | PUMP SET, FUEL | £0.00 | 1 |
| 8 | PFKL347701 | 17043S5HT30 | O-RING | £3.65 | 1 |
| 9 | PFKL347704 | 17044SDCE01 | BRACKET C | £0.00 | 1 |
| 10 | PFKL359554 | 17371SR3A01 | VALVE, TWO WAY | £42.03 | 1 |
| 11 | PFKL362077 | 17500S2A951 | TANK COMP., FUEL | £526.20 | 1 |
| 12 | PFKL365719 | 17516SDCE00 | FILTER COMP., FUEL PUMP | £50.85 | 1 |
| 13 | PFKL365992 | 17519S2AA32 | PROTECTOR, FUEL TANK | £203.91 | 1 |
| 14 | PFKL369760 | 17551S84A01 | PACKING | £12.75 | 1 |
| 15 | PFKL370204 | 17570S04G01 | VALVE, FUEL CUT | £61.53 | 1 |
| 16 | PFKL370278 | 17574S84A01 | PACKING, BASE | £15.30 | 1 |
| 17 | PFKL370311 | 17579SDCE01 | PLATE, SETTING | £15.31 | 1 |
| 18 | PFKL371284 | 17630S2AA51 | METER COMP. | £47.70 | 1 |
| 19 | PFKL371583 | 17651S2A930 | TUBE, FILLER NECK | £0.00 | 1 |
| 20 | PFKL371624 | 17652SDAT01 | CLIP, FILLER TUBE | £6.91 | 2 |
| 21 | PFKL371761 | 17658S2A930 | TUBE, BREATHER | £0.00 | 1 |
| 22 | PFKL372071 | 17660S2AQ50 | PIPE COMP., FUEL FILLER | £0.00 | 1 |
| 23 | PFKL372173 | 17662SS1010 | PACKING, FUEL FILLER PIPE | £7.36 | 1 |
| 24 | PFKL372235 | 17667S2A932 | GROMMET, FUEL FILLER PIPE | £0.00 | 1 |
| 25 | PFKL372337 | 17670SHJK02 | CAP COMP., FUEL FILLER (TOYODA) | £50.77 | 1 |
| 26 | PFKL373413 | 17705S0XA01 | GROMMET | £10.56 | 2 |
| 27 | PFKL373548 | 17707S2A951 | TUBE COMP., FUEL FEED | £0.00 | 1 |
| 28 | PFKL373773 | 17710S2A930 | TUBE ASSY., VENT | £41.10 | 1 |
| 29 | PFKL373820 | 17711ST0004 | RETAINER (WHITE) (SANOH) | £9.65 | 1 |
| 30 | PFKL373829 | 17711S84004 | RETAINER (WHITE) (SANOH) | £10.59 | 1 |
| 31 | PFKL373847 | 17713S2A930 | TUBE, FUEL VENT | £15.42 | 1 |
| 32 | PFKL374383 | 17726S2A930 | STAY, TWO WAY VALVE | £6.76 | 1 |

| | | | | | |
|----|-----------------------------|--------------|-----------------------------------|--------|----|
| 33 | PFKL802591 | 74660S84A00 | CAP ASSY., FLOOR MAINTENANCE HOLE | £21.98 | 1 |
| 34 | PFKL979359 | 90101S84000 | BOLT-WASHER, 5X10 | £3.06 | 11 |
| 35 | PFKL980094 | 90103SB0010 | NUT, FLANGE, 5MM | £2.72 | 3 |
| 36 | PFKL986262 | 90148S2K003 | BOLT, EARTH, 8X16 | £7.10 | 4 |
| 37 | PFKL986346 | 90150S04003 | BOLT, EARTH, 6X16 | £4.32 | 1 |
| 38 | PFKL989106 | 90301SE0J00 | NUT, FLANGE, 6MM | £3.82 | 2 |
| 39 | PFKL1000123 | 90700SDA003 | CLAMP, FUEL TUBE (D17.0) | £6.88 | 2 |
| 40 | PFKL1011266 | 91405SDA000 | CLAMP, TUBE (D10.5) | £2.81 | 4 |
| 41 | PFKL1011719 | 91501S04003 | CLIP, INNER FENDER | £2.93 | 2 |
| 42 | PFKL1013861 | 91594S2AA50 | HOLDER, FUEL TUBE | £0.00 | 1 |
| 43 | PFKL1013900 | 91595S2AA51 | CLAMP, FUEL TUBE | £0.00 | 1 |
| 44 | PFKL1014078 | 91601SH3013 | GROMMET, SCREW, 5MM (BLACK) | £4.68 | 3 |
| 45 | PFKL1017464 | 934050601204 | BOLT-WASHER, 6X12 | £2.14 | 8 |
| 46 | PFKL1020227 | 9390125220 | SCREW, TAPPING, 5X12 | £1.44 | 3 |

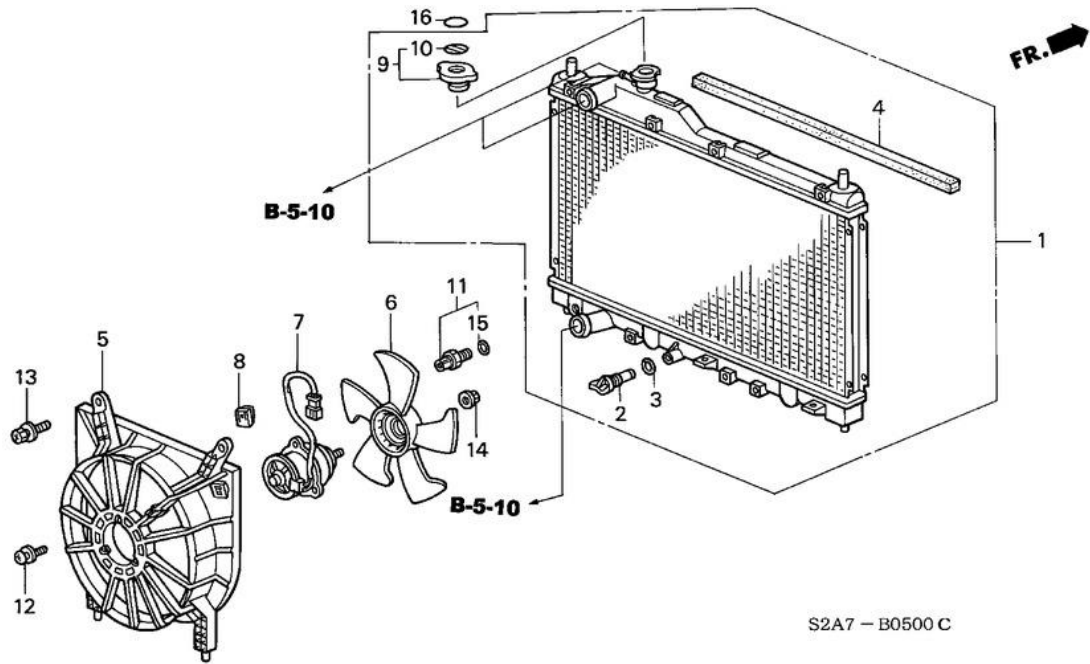
B-4-1 FUEL PIPE ('06-)



| Ref | Part No | Honda Part No | Description | Price (Each) | Req Qty |
|-----|-----------------------------|---------------|---------------------------------|--------------|---------|
| 1 | PFKL340959 | 16722PZX003 | HOSE COMP., FUEL FEED | £0.00 | 1 |
| 2 | PFKL341057 | 16725RAC003 | CLAMP, FUEL HOSE (NATURAL) | £4.07 | 2 |
| 3 | PFKL341066 | 16726PWA004 | COVER B, FUEL CONNECTOR (BLACK) | £4.63 | 2 |
| 4 | PFKL341120 | 16731PZX000 | STAY B, FUEL HOSE | £0.00 | 1 |
| 5 | PFKL341244 | 16751PZX000 | STAY, FUEL HOSE | £0.00 | 1 |
| 6 | PFKL358498 | 17300S1AE11 | CANISTER ASSY. | £0.00 | 1 |
| 7 | PFKL358767 | 17315S84A02 | FILTER, CANISTER | £114.95 | 1 |
| 8 | PFKL359216 | 17358S2A931 | BRACKET, CANISTER | £16.82 | 1 |
| 9 | PFKL359268 | 17359S2A930 | STOPPER, CANISTER | £0.00 | 1 |
| 10 | PFKL359621 | 17372S2A931 | TUBE, CANISTER | £0.00 | 1 |
| 11 | PFKL359662 | 17373S2A950 | TUBE A, DRAIN | £0.00 | 1 |
| 12 | PFKL359684 | 17374S2A950 | TUBE, FILTER DRAIN | £0.00 | 1 |
| 13 | PFKL359700 | 17375S2A950 | TUBE B, DRAIN | £0.00 | 1 |
| 14 | PFKL369351 | 17538S2A020 | COVER, CANISTER | £0.00 | 1 |
| 15 | PFKL373131 | 17700S2AE51 | PIPE, FUEL FEED | £40.31 | 1 |
| 16 | PFKL373314 | 17703S2A930 | TUBE ASSY., CANISTER | £15.42 | 1 |
| 17 | PFKL373425 | 17706SC3003 | CLIP, FUEL PIPE | £5.02 | 1 |
| 18 | PFKL373825 | 17711S0X931 | RETAINER (BLUE GREEN) (TOKAI) | £7.04 | 2 |
| 19 | PFKL373997 | 17720S2A930 | PIPE, FUEL VENT | £34.92 | 1 |
| 20 | PFKL374794 | 17742SDAA02 | JOINT, DRAIN TUBE | £19.30 | 1 |
| 21 | PFKL374866 | 17743S2A931 | JOINT, 3WAY DRAIN | £0.00 | 1 |
| 22 | PFKL375005 | 17752S2A931 | COVER, FR. FUEL PIPE | £18.10 | 1 |
| 23 | PFKL375013 | 17753S2A931 | COVER, RR. FUEL PIPE | £18.10 | 1 |
| 24 | PFKL375095 | 17761S2A930 | STAY A, FUEL PIPE | £6.01 | 1 |
| 25 | PFKL375129 | 17762S2A930 | STAY B, FUEL PIPE | £9.03 | 1 |
| 26 | PFKL375149 | 17763S2A930 | STAY C, FUEL PIPE | £4.55 | 1 |
| 27 | PFKL696760 | 53728SL5003 | CLIP, RETURN PIPE, 6MM | £0.00 | 1 |
| 28 | PFKL986346 | 90150S04003 | BOLT, EARTH, 6X16 | £4.32 | 2 |
| 29 | PFKL997525 | 90634PA0000 | CAP, SEALING | £3.17 | 1 |
| 30 | PFKL1011168 | 91401SDC000 | CLIP, TUBE (B10) | £2.05 | 1 |
| 31 | PFKL1011201 | 91402SDC000 | CLIP, TUBE (B12) | £2.05 | 1 |
| 32 | PFKL1014013 | 91598S84A01 | CLIP, FUEL PIPE | £5.13 | 3 |

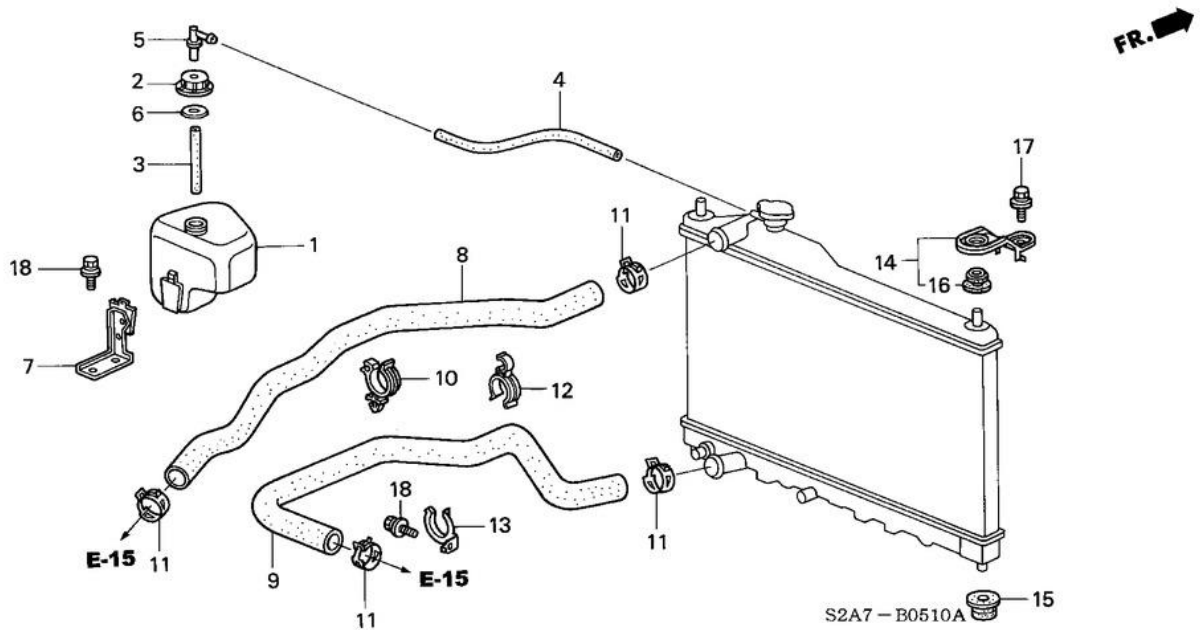
| | | | | | |
|----|-----------------------------|--------------|--------------------|-------|---|
| 33 | PFKL1014049 | 91599S0A003 | CLAMP, FUEL PIPE | £5.78 | 7 |
| 34 | PFKL1014052 | 91599S2A931 | CLIP, FUEL PIPE | £4.84 | 1 |
| 35 | PFKL1017473 | 934050601604 | BOLT-WASHER, 6X16 | £2.14 | 1 |
| 36 | PFKL1017477 | 934050601608 | BOLT-WASHER, 6X16 | £2.30 | 5 |
| 37 | PFKL1028254 | 957010601208 | BOLT, FLANGE, 6X12 | £1.87 | 1 |
| 38 | PFKL1028430 | 957010801208 | BOLT, FLANGE, 8X12 | £2.14 | 1 |

B-5 RADIATOR (DENSO)



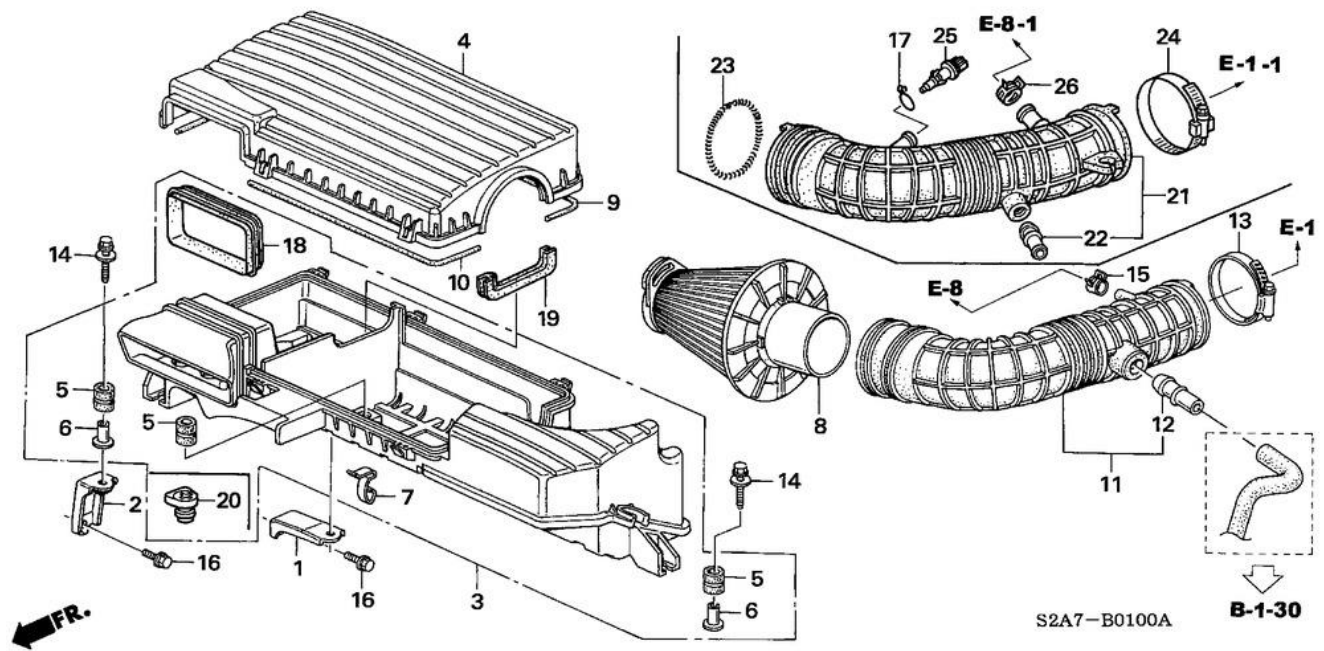
| Ref | Part No | Honda Part No | Description | Price (Each) | Req Qty |
|-----|-----------------------------|---------------|---|--------------|---------|
| 1 | PFKL397364 | 19010PCX013 | RADIATOR COMP. (DENSO) | £364.36 | 1 |
| 2 | PFKL398052 | 19011PH1621 | BOLT, DRAIN (DENSO) | £12.23 | 1 |
| 3 | PFKL398088 | 19012671300 | PACKING, DRAIN (DENSO) | £3.15 | 1 |
| 4 | PFKL398101 | 19013PCX003 | SEAL, RADIATOR UPPER | £17.72 | 1 |
| 5 | PFKL398376 | 19015PCX003 | SHROUD COMP. | £106.90 | 1 |
| 6 | PFKL398812 | 19020PT0003 | FAN, COOLING (DENSO) | £95.05 | 1 |
| 7 | PFKL399266 | 19030PCX003 | MOTOR, COOLING FAN | £274.47 | 1 |
| 8 | PFKL399639 | 19033PAAA01 | CLIP, COUPLER (DENSO) | £8.01 | 1 |
| 9 | PFKL400131 | 19045RAA003 | CAP COMP., RADIATOR (DENSO) | £37.75 | 1 |
| 10 | PFKL400149 | 19046RAA000 | LABEL, RADIATOR CAP | £3.38 | 1 |
| 11 | PFKL552340 | 37760P00003 | SWITCH ASSY., THERMO (A-93) (NIPPON THERMOSTAT) | £92.31 | 1 |
| 11 | PFKL552340 | 37760P00003 | SWITCH ASSY., THERMO (A-93) (UCHIYA THERMOSTAT) | £92.31 | 1 |
| 12 | PFKL977658 | 90041P5A003 | SCREW-WASHER, 4X11 | £2.79 | 3 |
| 13 | PFKL977712 | 90042PAAA01 | BOLT-WASHER, 6X16 (DENSO) | £3.28 | 2 |
| 14 | PFKL977796 | 90043PD2003 | NUT, HEX., 5MM (DENSO) | £5.98 | 1 |
| 15 | PFKL1009800 | 91307PN3000 | O-RING, 17.5X1.4 | £4.18 | 1 |

B-5-10 RADIATOR HOSE



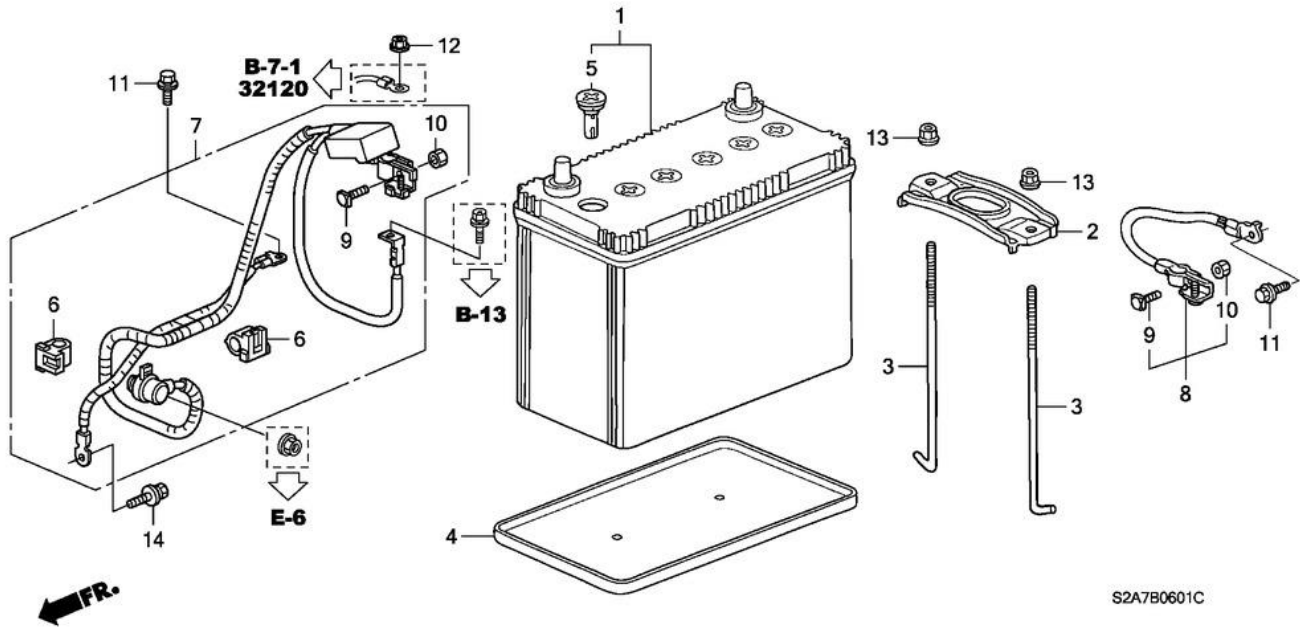
| Ref | Part No | Honda Part No | Description | Price (Each) | Req Qty |
|-----|-----------------------------|---------------|-------------------------------------|--------------|---------|
| 1 | PFKL401087 | 19101PCX000 | TANK, RESERVE | £90.23 | 1 |
| 2 | PFKL401242 | 19102PM5A00 | CAP, RESERVE TANK | £13.06 | 1 |
| 3 | PFKL401313 | 19103PCX000 | HOSE, RESERVE TANK | £7.29 | 1 |
| 4 | PFKL401412 | 19104PCX000 | TUBE, RESERVE TANK | £7.24 | 1 |
| 5 | PFKL401630 | 19106PM3000 | JOINT, RESERVE TANK | £8.28 | 1 |
| 6 | PFKL401734 | 19108PCX000 | WASHER, RESERVE TANK | £2.29 | 1 |
| 7 | PFKL402141 | 19115PCX000 | BRACKET, RESERVE TANK | £13.55 | 1 |
| 8 | PFKL405399 | 19501PCX010 | HOSE, WATER UPPER | £54.38 | 1 |
| 9 | PFKL405672 | 19502PCX010 | HOSE, WATER LOWER | £54.38 | 1 |
| 10 | PFKL405929 | 19503PY3003 | CLAMP, WATER HOSE LOWER | £7.34 | 1 |
| 11 | PFKL406844 | 19511PH7003 | CLIP, WATER HOSE (36.5MM) (KEIHIN) | £6.71 | 4 |
| 12 | PFKL407225 | 19518PCX003 | CLAMP, HOSE | £4.03 | 1 |
| 13 | PFKL407238 | 19519PCX000 | CLAMP, HOSE | £7.49 | 2 |
| 14 | PFKL799835 | 74171SP0010 | BRACKET, R. RADIATOR MOUNTING UPPER | £29.96 | 2 |
| 15 | PFKL799874 | 74172SM4970 | CUSHION, RADIATOR MOUNTING LOWER | £17.95 | 2 |
| 16 | PFKL799887 | 74173SJ4000 | CUSHION, RADIATOR MOUNTING UPPER | £6.37 | 2 |
| 17 | PFKL1017473 | 934050601604 | BOLT-WASHER, 6X16 | £2.14 | 2 |
| 18 | PFKL1028254 | 957010601208 | BOLT, FLANGE, 6X12 | £1.87 | 4 |

B-1 AIR CLEANER



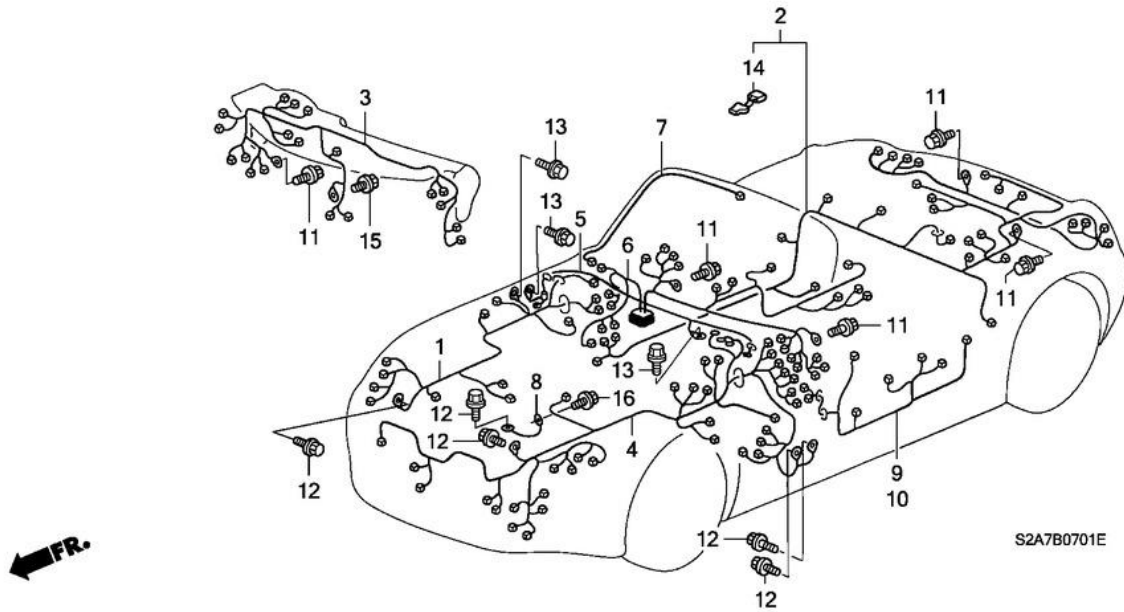
| Ref | Part No | Honda Part No | Description | Price (Each) | Req Qty |
|-----|-----------------------------|---------------|--|--------------|---------|
| 1 | PFKL349789 | 17202PCX000 | STAY COMP., RR. AIR CLEANER | £6.01 | 1 |
| 2 | PFKL349829 | 17203PCX000 | STAY COMP., FR. AIR CLEANER | £6.01 | 1 |
| 3 | PFKL349941 | 17205PZX000 | CASE SET, AIR CLEANER | £246.52 | 1 |
| 4 | PFKL350572 | 17210PZX000 | COVER COMP., AIR CLEANER | £176.20 | 1 |
| 5 | PFKL351368 | 17212P2JJ00 | RUBBER, AIR CLEANER MOUNTING | £7.43 | 3 |
| 6 | PFKL352047 | 17216PN3000 | COLLAR, AIR CLEANER MOUNTING | £6.89 | 3 |
| 7 | PFKL352160 | 17217P2J300 | CLIP, AIR CLEANER | £7.00 | 6 |
| 8 | PFKL2314138 | 17220PZX505 | ELEMENT COMP., AIR CLEANER | £30.72 | 1 |
| 9 | PFKL353455 | 17222PCX000 | SEAL RUBBER B, AIR CLEANER | £11.07 | 1 |
| 10 | PFKL353262 | 17221PCX000 | SEAL RUBBER A, AIR CLEANER | £7.49 | 1 |
| 14 | PFKL973990 | 90001POA000 | BOLT-WASHER, SPECIAL, 6X35 | £7.29 | 3 |
| 16 | PFKL1028254 | 957010601208 | BOLT, FLANGE, 6X12 | £1.87 | 2 |
| 17 | PFKL316614 | 15772551000 | CLIP, BREATHER TUBE | £5.78 | 1 |
| 18 | PFKL351633 | 17213PZX000 | RUBBER, DUCT SEAL | £14.86 | 1 |
| 19 | PFKL351954 | 17215PZX000 | SEAL RUBBER C, DUCT | £12.71 | 1 |
| 20 | PFKL353583 | 17223PZX000 | RUBBER, MOUNTING | £0.00 | 1 |
| 21 | PFKL353951 | 17228PCXG00 | TUBE COMP., AIR FLOW | £112.28 | 1 |
| 22 | PFKL354098 | 17229PCXG00 | JOINT, AIR HOSE | £0.00 | 1 |
| 23 | PFKL356148 | 17249PZX000 | SPRING, AIR FLOW TUBE | £9.42 | 1 |
| 24 | PFKL358788 | 17316RCAA01 | CLAMP, AIR FLOW (90) | £10.66 | 1 |
| 25 | PFKL554686 | 37880PLC004 | SENSOR ASSY., AIR TEMP (MATSUSHITA DENSHI) | £59.17 | 1 |
| 26 | PFKL1011253 | 91405PM5004 | CLIP, HOSE (D17) | £6.35 | 1 |

B-6-1 BATTERY (RH)



| Ref | Part No | Honda Part No | Description | Price (Each) | Req Qty |
|-----|-----------------------------|---------------|---------------------------------------|--------------|---------|
| 1 | PFKL2307601 | 31500TTOG01 | BATTERY ASSY. (55B24L-MF) (FURUKAWA) | £82.69 | 1 |
| 2 | PFKL471253 | 31512SR3000 | PLATE, BATTERY SETTING | £22.96 | 1 |
| 3 | PFKL471323 | 31513SR3000 | BOLT, BATTERY SETTING | £7.86 | 2 |
| 4 | PFKL471404 | 31521SR3000 | BOX ASSY., BATTERY | £18.69 | 1 |
| 5 | PFKL471533 | 31542SA5666 | PLUG, VENT (MF) (FURUKAWA) | £6.73 | 6 |
| 6 | PFKL481250 | 32115P64003 | HOLDER, CORRUGATED (DARK BLUE) (10MM) | £6.79 | 2 |
| 7 | PFKL487574 | 32410S2AE00 | CABLE ASSY., STARTER | £98.12 | 1 |
| 8 | PFKL488297 | 32600S2AA00 | CABLE ASSY., BATTERY EARTH | £35.59 | 1 |
| 9 | PFKL488566 | 32601SK7900 | BOLT, BATTERY TERMINAL | £6.66 | 2 |
| 10 | PFKL488641 | 32602SK7900 | NUT, BATTERY TERMINAL | £2.84 | 2 |
| 11 | PFKL986282 | 90149SE0003 | BOLT, EARTH, 6X16 | £5.51 | 2 |
| 12 | PFKL990658 | 90337SJ4003 | NUT, A.L.B. | £2.41 | 1 |
| 13 | PFKL1021328 | 9405006080 | NUT, FLANGE, 6MM | £2.16 | 2 |
| 14 | PFKL1028254 | 957010601208 | BOLT, FLANGE, 6X12 | £1.87 | 1 |

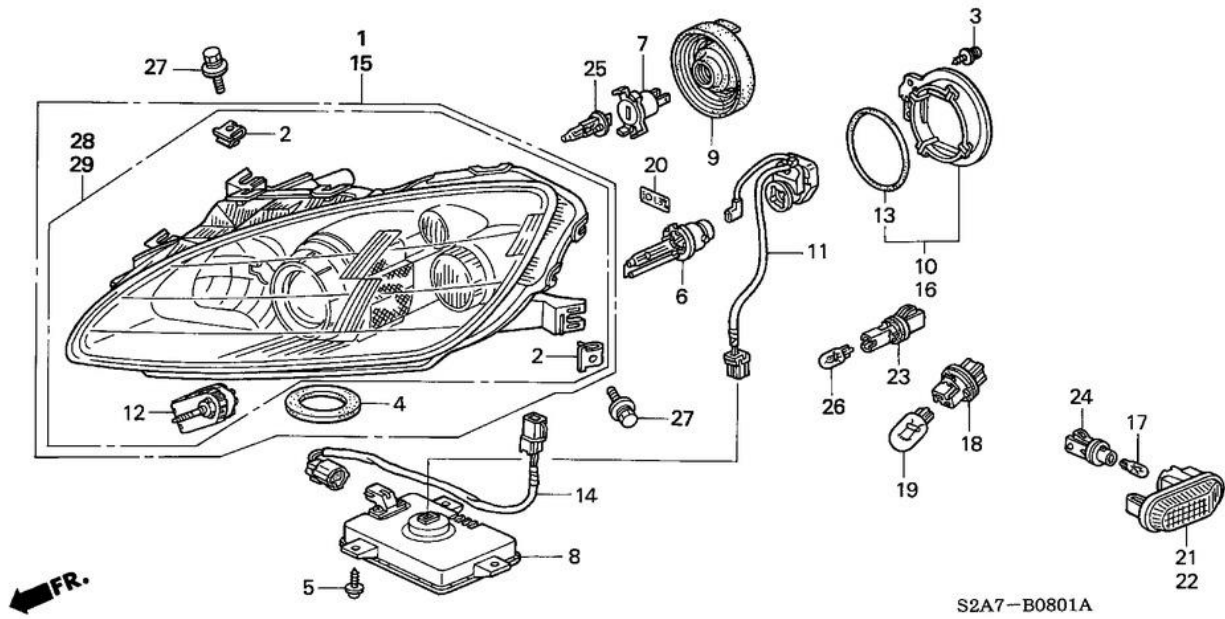
B-7-1 WIRE HARNESS (RH)



| Ref | Part No | Honda Part No | Description | Price (Each) | Req Qty |
|-----|-----------------------------|---------------|--|--------------|---------|
| 1 | PFKL477031 | PFKL477031 | HARNESS, R. CABIN WIRE | £0.00 | 1 |
| 2 | PFKL479815 | PFKL479815 | HARNESS, RR. WIRE | £0.00 | 1 |
| 3 | PFKL482314 | PFKL482314 | HARNESS, INSTRUMENT WIRE | £1,124.68 | 1 |
| 4 | PFKL482913 | PFKL482913 | HARNESS, L. CABIN WIRE | £480.42 | 1 |
| 5 | PFKL483164 | PFKL483164 | SUB CORD, EPS | £0.00 | 1 |
| 6 | PFKL484055 | PFKL484055 | HARNESS, DASHBOARD WIRE | £829.86 | 1 |
| 7 | PFKL484483 | PFKL484483 | CORD, INTERIOR LIGHT | £25.01 | 1 |
| 8 | PFKL488731 | PFKL488731 | CABLE, EPS GEAR BOX EARTH | £10.62 | 1 |
| 9 | PFKL490480 | PFKL490480 | HARNESS, DRIVER DOOR WIRE | £0.00 | 1 |
| 10 | PFKL490874 | PFKL490874 | HARNESS, PASSENGER DOOR WIRE | £105.18 | 1 |
| 11 | PFKL986253 | PFKL986253 | BOLT, EARTH, 6X16 (WASHER 12.5MM) (ZN) | £6.03 | 0 |
| 12 | PFKL986282 | PFKL986282 | BOLT, EARTH, 6X16 | £5.51 | 0 |
| 13 | PFKL986537 | PFKL986537 | BOLT, EARTH, 6X12 | £6.84 | 2 |
| 14 | PFKL456791 | PFKL456791 | CONDENSER COMP. | £0.00 | 1 |
| 15 | PFKL986536 | PFKL986536 | BOLT, EARTH, 6X12 (ZN) | £4.01 | 1 |
| 16 | PFKL1028254 | PFKL1028254 | BOLT, FLANGE, 6X12 | £1.87 | 1 |

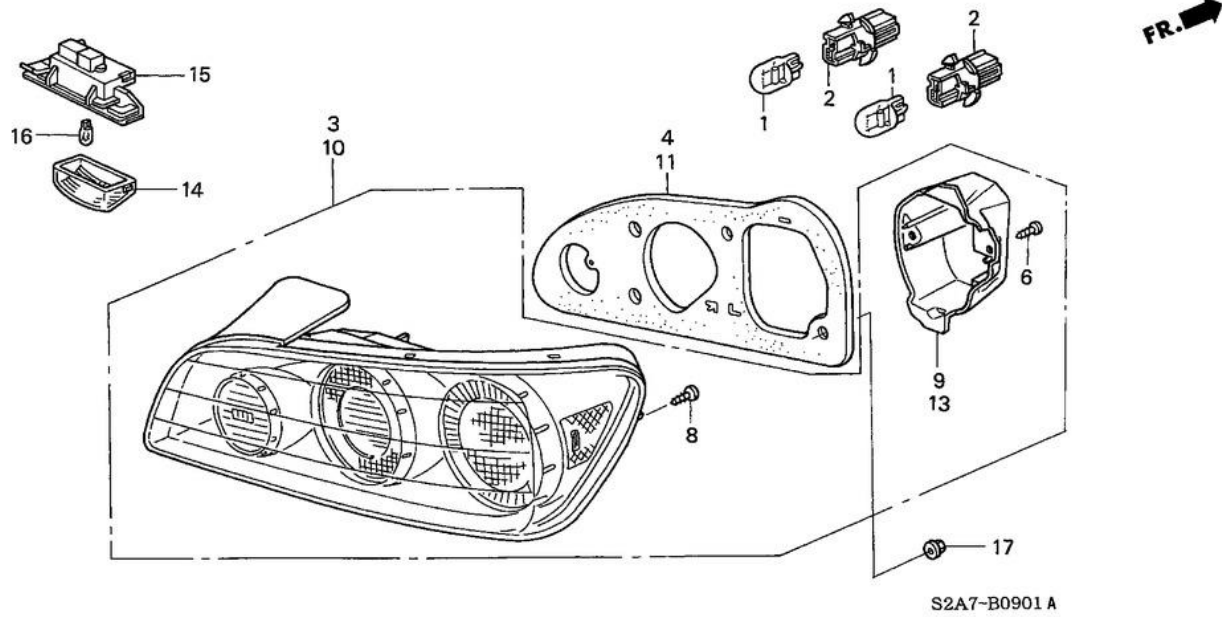
| | | | | | |
|----|-----------------------------|-------------|--|-------|---|
| 40 | PFKL1049528 | 91531SR3003 | HOLDER, COUPLER (NATURAL) (128.6MM) | £4.46 | 5 |
| 41 | PFKL1012469 | 91531S04003 | CLIP, WIRE HARNESS (NATURAL) (44MM) | £3.37 | 5 |
| 42 | PFKL1012516 | 91533S04003 | CLIP, COUPLER (NATURAL) | £2.63 | 0 |
| 44 | PFKL1013163 | 91557S10003 | CLIP, WIRE HARNESS PROTECTOR (NATURAL) | £4.07 | 2 |
| 46 | PFKL1014645 | 91902SB2003 | CUSHION, WIRE HARNESS (50X100) | £7.43 | 4 |
| 47 | PFKL1027815 | 9555007000 | PLUG, BLIND, 7MM | £2.88 | 2 |

B-8-1 HEADLIGHT ('04-)



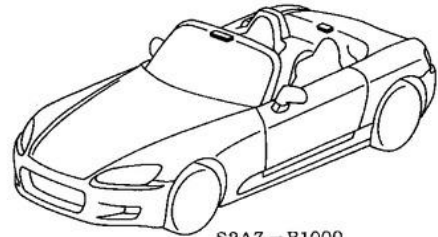
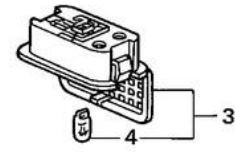
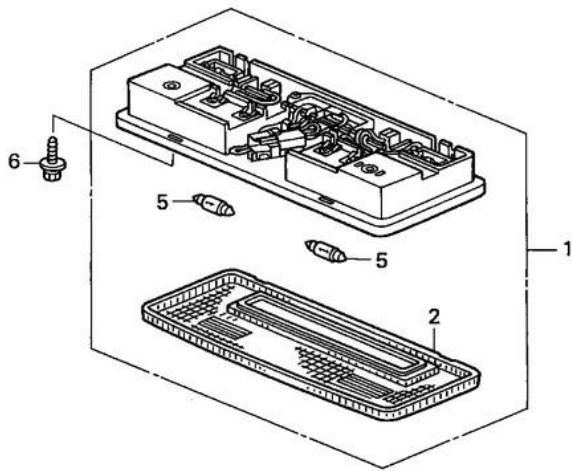
| Ref | Part No | Honda Part No | Description | Price (Each) | Req Qty |
|-----|-----------------------------|---------------|--|--------------|---------|
| 2 | PFKL495213 | 33104ST7000 | NUT, SPECIAL | £3.44 | 8 |
| 3 | PFKL495517 | 33108S2A003 | SCREW, SPECIAL TAPPING | £3.76 | 2 |
| 4 | PFKL495573 | 33109S7AJ11 | SEAL, GASKET | £10.31 | 2 |
| 5 | PFKL495766 | 33110S6M003 | BOLT, TAPPING, 5X16 | £4.82 | 6 |
| 6 | PFKL496118 | 33116ST7003 | BULB (HID D2S) | £110.29 | 2 |
| 7 | PFKL496123 | 33116S2A003 | ADAPTER | £12.99 | 2 |
| 8 | PFKL496190 | 33119S2AJ01 | CONTROL UNIT | £428.06 | 2 |
| 9 | PFKL497242 | 33126S7A003 | COVER, RUBBER | £17.55 | 2 |
| 10 | PFKL497270 | 33127S2AE01 | COVER COMP., R. BACK | £15.89 | 1 |
| 11 | PFKL497321 | 33129S2AJ01 | IGNITER, HID | £372.94 | 2 |
| 12 | PFKL497527 | 33130S2AG01 | ADJUSTER UNIT, HEADLIGHT | £268.43 | 2 |
| 13 | PFKL497929 | 33145S2A003 | O-RING | £10.16 | 2 |
| 14 | PFKL497955 | 33147S2AA11 | CORD COMP. | £73.40 | 2 |
| 16 | PFKL499415 | 33177S2AE01 | COVER COMP., L. BACK | £14.42 | 1 |
| 17 | PFKL518903 | 34351S1AG01HE | BULB, WEDGE BASE (WY 12V 5W) (STANLEY) (AMBER) | £1.93 | 2 |
| 18 | PFKL500284 | 33303S2AA00 | PLUG, SOCKET | £19.68 | 2 |
| 19 | PFKL500289 | 33303S30003 | BULB (T20W 12V 21W) | £3.38 | 2 |
| 21 | PFKL515438 | 33801S2AJ02 | LAMP UNIT | £21.27 | 1 |
| 22 | PFKL515589 | 33851S2AJ02 | LAMP UNIT | £21.27 | 1 |
| 23 | PFKL518475 | 34301S2A003 | SOCKET COMP. (T10) | £13.02 | 2 |
| 24 | PFKL518548 | 34304SH3A01 | SOCKET COMP. | £14.64 | 2 |
| 25 | PFKL519496 | 34901SZ3000 | BULB, HEADLIGHT (H1) (12V 55W) | £8.24 | 2 |
| 26 | PFKL519500 | 34901S6DG01HE | BULB (12V 5W) | £3.38 | 2 |
| 27 | PFKL1017473 | 934050601604 | BOLT-WASHER, 6X16 | £2.14 | 8 |
| 28 | PFKL494546 | 33101S2AE21 | HEADLIGHT UNIT, R. | £675.53 | 1 |
| 29 | PFKL498871 | 33151S2AE21 | HEADLIGHT UNIT, L. | £675.53 | 1 |

B-9-1 TAILLIGHT ('04-)



| Ref | Part No | Honda Part No | Description | Price (Each) | Req Qty |
|-----|-----------------------------|---------------|------------------------|--------------|---------|
| 1 | PFKL500289 | 33303S30003 | BULB (T20W 12V 21W) | £3.38 | 4 |
| 2 | PFKL500316 | 33304S30003 | SOCKET COMP. (T20) | £12.12 | 4 |
| 3 | PFKL505980 | 33501S2AE11 | LAMP UNIT, R. TAIL | £319.32 | 1 |
| 4 | PFKL506186 | 33502S2AA11 | GASKET, R. BASE | £21.55 | 1 |
| 6 | PFKL506445 | 33507S2AA11 | SCREW, TAPPING | £5.36 | 4 |
| 8 | PFKL506460 | 33509S2AA11 | SCREW, SPECIAL TAPPING | £7.69 | 2 |
| 9 | PFKL506559 | 33527S2AA11 | COVER, R. BACK | £13.22 | 1 |
| 10 | PFKL507442 | 33551S2AJ01 | LAMP UNIT, L. TAIL | £319.35 | 1 |
| 11 | PFKL507587 | 33552S2AA11 | GASKET, L. BASE | £21.55 | 1 |
| 13 | PFKL507700 | 33557S2AA11 | COVER, L. BACK | £14.83 | 1 |
| 14 | PFKL516437 | 34101S2K902 | LENS | £9.34 | 2 |
| 15 | PFKL1047751 | 34102S2K013 | HOUSING COMP. | £16.93 | 2 |
| 16 | PFKL519500 | 34901S6DG01HE | BULB, WEDGE (12V 5W) | £3.38 | 2 |
| 17 | PFKL1021316 | 9405005080 | NUT, FLANGE, 5MM | £0.48 | 8 |

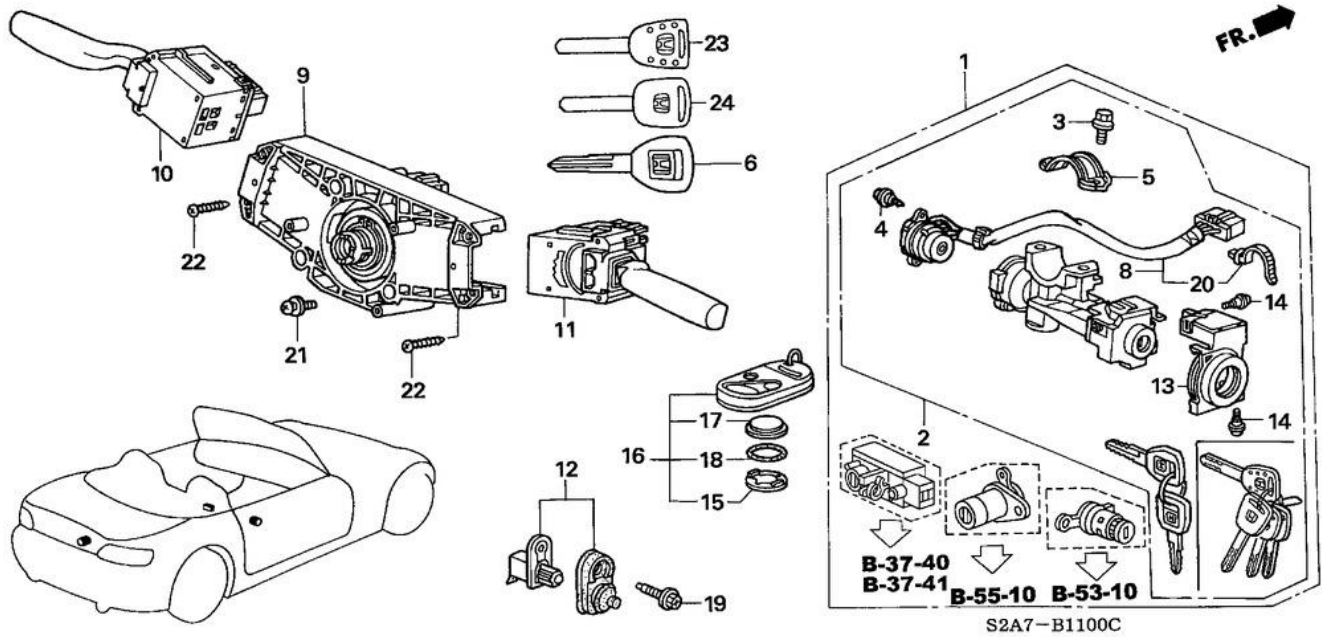
B-10 INTERIOR LIGHT



FR.

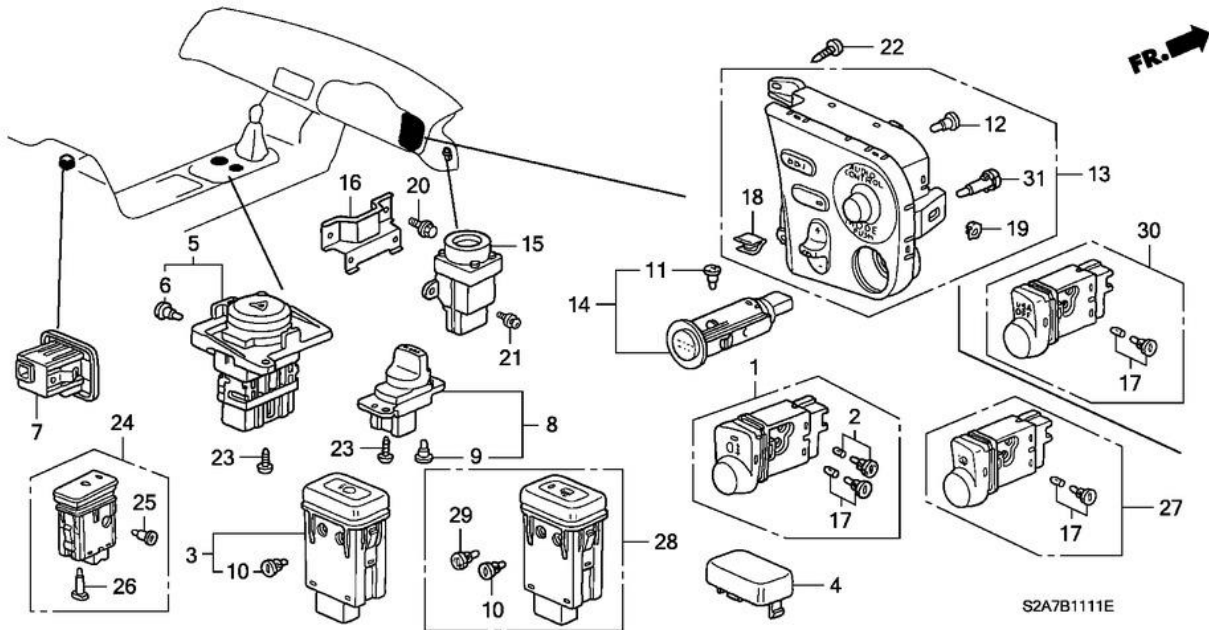
| Ref | Part No | Honda Part No | Description | Price (Each) | Req Qty |
|-----|----------------------------|---------------|--------------------------------|--------------|---------|
| 1 | PFKL517346 | 34250SL4003ZQ | LIGHT ASSY., INTERIOR *NH167L* | £186.74 | 1 |
| 2 | PFKL517476 | 34251SL4003 | LENS | £13.69 | 1 |
| 3 | PFKL517780 | 34260SW5003 | LIGHT ASSY., TRUNK ROOM | £31.52 | 1 |
| 4 | PFKL519500 | 34901S6DG01HE | BULB (12V 5W) (DAIICHI) | £3.38 | 1 |
| 5 | PFKL518144 | 34295SD4003 | BULB (12V 5W) (DAIICHI) | £5.54 | 2 |
| 6 | PFKL985399 | 90132SZ3003 | SCREW, ET, 6X16 | £0.00 | 0 |
| 6 | PFKL985579 | 90134S30003 | SCREW, EARTH, 5X18 | £3.76 | 2 |

B-11 COMBINATION SWITCH



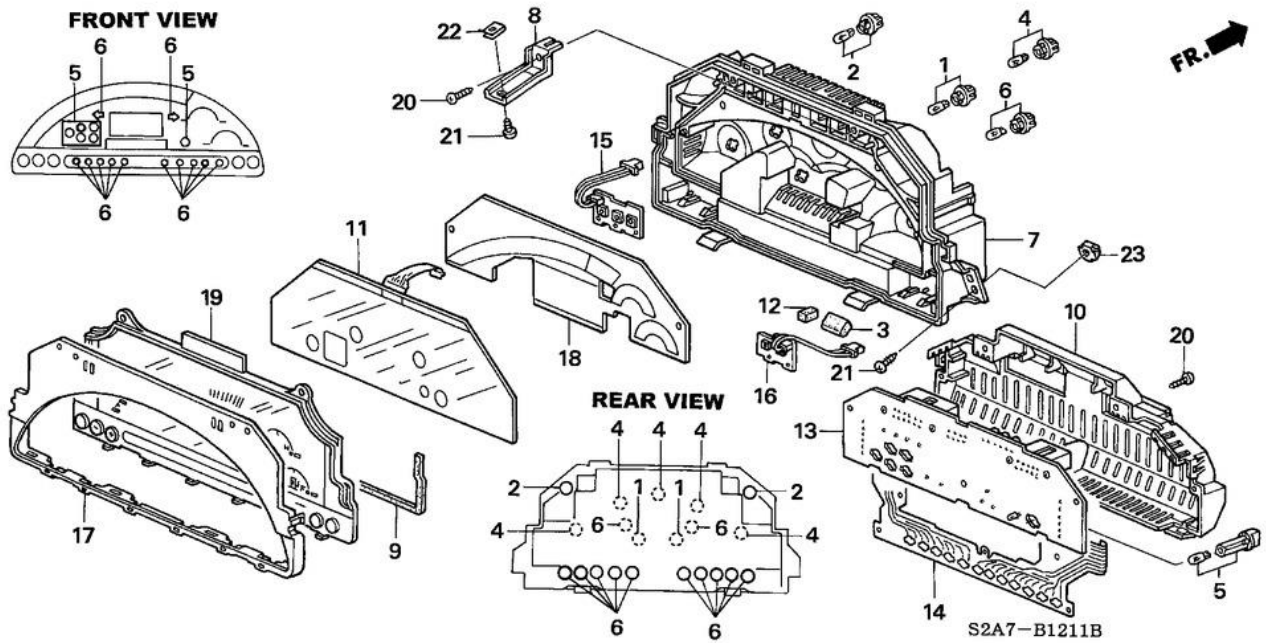
| Ref | Part No | Honda Part No | Description | Price (Each) | Req Qty |
|-----|-----------------------------|---------------|--|--------------|---------|
| 1 | PFKL2063204 | 06350S2AE51ZA | CYLINDER SET, KEY *NH167L* | £855.27 | 1 |
| 2 | PFKL525034 | 35100S2AE51 | LOCK ASSY., STEERING | £641.22 | 1 |
| 3 | PFKL525973 | 35102SV4003 | BOLT, BREAK HEAD | £4.55 | 2 |
| 4 | PFKL525994 | 35103S04003 | SCREW, RECESSED | £7.29 | 2 |
| 5 | PFKL526127 | 35108S30003 | HOLDER, COLUMN | £6.08 | 1 |
| 8 | PFKL527369 | 35130S2A003 | SWITCH COMP., STEERING | £60.76 | 1 |
| 9 | PFKL531029 | 35251S2HJ02 | BODY, SWITCH | £40.83 | 1 |
| 10 | PFKL531282 | 35255S3YG02 | SWITCH ASSY., LIGHTING & TURN | £109.05 | 1 |
| 11 | PFKL531444 | 35256S2AA02 | SWITCH ASSY., WIPER | £107.23 | 1 |
| 12 | PFKL532874 | 35400S0XA01 | SWITCH ASSY., DOOR | £23.49 | 2 |
| 13 | PFKL571588 | 39730S2AG01 | IMMOBILIZER UNIT | £212.87 | 1 |
| 14 | PFKL776080 | 72118ST7003 | SCREW, TAPPING, 3X5 | £4.05 | 4 |
| 15 | PFKL778824 | 72146S5AG01 | COVER, BATTERY | £8.51 | 2 |
| 16 | PFKL778959 | 72147S9AG01 | TRANSMITTER ASSY., KEYLESS | £143.15 | 2 |
| 17 | PFKL779055 | 72148S10003 | BATTERY (CR2025) | £6.26 | 2 |
| 18 | PFKL779110 | 72149S10003 | O-RING | £5.74 | 2 |
| 19 | PFKL985401 | 90132S0XA11 | SCREW, ET, 5.5X18 | £0.00 | 0 |
| 19 | PFKL985400 | 90132S0XA01 | SCREW, ET, 5X18 | £3.76 | 2 |
| 20 | PFKL1012597 | 91540S30003 | CLIP, HARNESS BAND (NATURAL) (151.5MM) | £5.35 | 1 |
| 21 | PFKL1019568 | 938910501208 | SCREW-WASHER, 5X12 | £1.51 | 3 |
| 22 | PFKL1020262 | 9390132420 | SCREW, TAPPING, 3X16 | £1.44 | 4 |
| 23 | PFKL526304 | 35111S2A307 | KEY COMP., IMMOBILIZER (MAIN) (BLANK) | £206.73 | 1 |
| 24 | PFKL526273 | 35111SLJ306 | KEY, BLANK (BLACK) (IMMOBILIZER) | £42.42 | 1 |
| 24 | PFKL526320 | 35111S9A408 | KEY, BLANK (MAIN)(BLACK) | £28.72 | 2 |

B-11-11 SWITCH (RH)



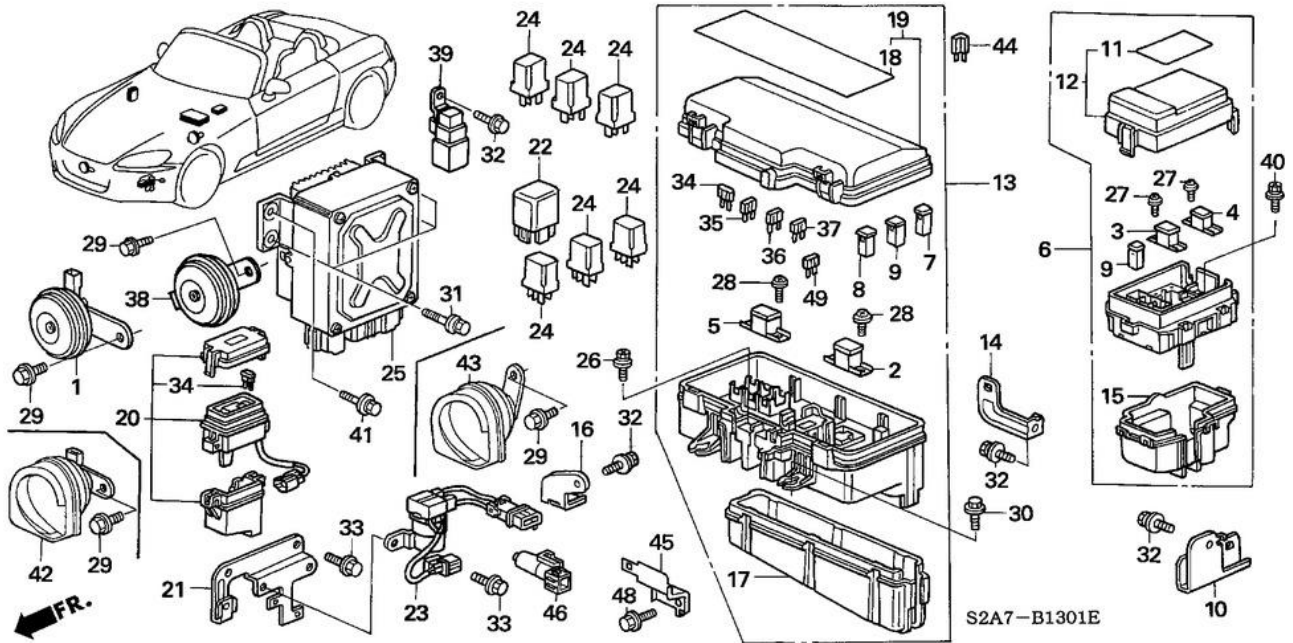
| Ref | Part No | Honda Part No | Description | Price (Each) | Req Qty |
|-----|-----------------------------|---------------|--|--------------|---------|
| 1 | PFKL528498 | 35170S2AG01 | SWITCH ASSY., RR. FOG | £0.00 | 1 |
| 2 | PFKL528522 | 35171S2A003 | BULB COMP. (14V 65MA) | £7.02 | 1 |
| 5 | PFKL533488 | 35510S2AZ01 | SWITCH ASSY., HAZARD | £64.23 | 1 |
| 6 | PFKL535679 | 35850S2A003 | BULB COMP. (14V 60MA) | £7.02 | 1 |
| 7 | PFKL535207 | 35800SL0003ZJ | SWITCH ASSY., TRUNK OPENER *NH167L* | £0.00 | 1 |
| 8 | PFKL535447 | 35830S2A003ZA | SWITCH ASSY., POWER SOFT TOP *NH167L* | £77.02 | 1 |
| 9 | PFKL535479 | 35831S2A003 | BULB COMP. (14V 40MA) | £8.39 | 1 |
| 11 | PFKL2154756 | 35851S2A505 | BULB COMP. (14V 0.56W) | £7.02 | 1 |
| 12 | PFKL2154757 | 35855S2A505 | BULB COMP. (14V 0.56W) | £7.02 | 4 |
| 13 | PFKL536021 | 35880S2A922 | SWITCH ASSY., RADIO REMOTE | £0.00 | 1 |
| 14 | PFKL536034 | 35881S2A911 | SWITCH ASSY., ENGINE START | £100.71 | 1 |
| 15 | PFKL536069 | 35910S04G01 | SWITCH ASSY., INERTIA | £49.53 | 1 |
| 16 | PFKL536071 | 35912SN7G00 | BRACKET, INERTIA SWITCH | £0.00 | 1 |
| 17 | PFKL541039 | 36776S2A003 | BULB COMP. (14V 65MA) | £7.02 | 1 |
| 18 | PFKL998722 | 90666SM4003 | CLIP, SNAP FITTING | £3.67 | 1 |
| 19 | PFKL1014444 | 91640SM4003 | GROMMET, SCREW, 4MM | £4.81 | 1 |
| 20 | PFKL1017293 | 934030601208 | BOLT-WASHER, 6X12 | £2.14 | 2 |
| 21 | PFKL1019568 | 938910501208 | SCREW-WASHER, 5X12 | £1.51 | 2 |
| 22 | PFKL1020805 | 9391314220 | SCREW, TAPPING, 4X12 | £1.44 | 3 |
| 23 | PFKL1020814 | 9391314480 | SCREW, TAPPING, 4X16 (PO) | £1.10 | 4 |
| 24 | PFKL533326 | 35500S2AG02 | SWITCH ASSY., RR. DEFOGGER & HEATED MIRROR | £72.22 | 1 |
| 25 | PFKL535678 | 35850S2AQ01 | BULB COMP. (14V 60MA) | £7.02 | 1 |
| 26 | PFKL536035 | 35881S84T01 | BULB (14V 60MA) | £6.89 | 1 |
| 31 | PFKL2154758 | 35855S2A506 | BULB COMP. (14V 0.56W) | £8.73 | 1 |

B-12-11 METER COMPONENTS (NS) ('04-)



| Ref | Part No | Honda Part No | Description | Price (Each) | Req Qty |
|-----|-----------------------------|---------------|---|--------------|---------|
| 1 | PFKL543640 | 37103SD2003 | BULB & SOCKET (14V 3W) (NS) (SOCKET:GRAY) | £8.00 | 2 |
| 2 | PFKL543645 | 37103S2A003 | SOCKET ASSY., BULB (3W T6.5) (CAP:BLUE) | £7.02 | 2 |
| 3 | PFKL544316 | 37115SA0601 | PACKING (NS) | £8.93 | 2 |
| 4 | PFKL855542 | 78101S2A003 | SOCKET ASSY., BULB (2W T5) (SOCKET:RED) | £7.02 | 5 |
| 5 | PFKL855601 | 78102S2A003 | SOCKET ASSY., BULB (1.12W T5) (LONG TYPE) | £7.88 | 4 |
| 6 | PFKL855630 | 78103S2A003 | SOCKET ASSY., BULB (1.12W T5) (SOCKET:GRAY) | £7.02 | 12 |
| 7 | PFKL856122 | 78110S2AJ03 | CASE ASSY. | £0.00 | 1 |
| 8 | PFKL856301 | 78113S2A003 | BRACKET | £0.00 | 2 |
| 9 | PFKL856307 | 78114S2A003 | PACKING | £0.00 | 1 |
| 10 | PFKL856620 | 78116S2A013 | COVER | £0.00 | 1 |
| 11 | PFKL858027 | 78130S2AE01 | LCD ASSY. | £758.70 | 1 |
| 12 | PFKL858079 | 78131S2A003 | PACKING, LCD | £7.20 | 4 |
| 13 | PFKL858383 | 78146S2AE04 | PANEL, COMBINATION PRINT | £0.00 | 1 |
| 14 | PFKL858448 | 78147S2AA02 | PANEL, PRINT (1) | £0.00 | 1 |
| 15 | PFKL858450 | 78147S2A013 | PANEL, L. PRINT SWITCH | £0.00 | 1 |
| 16 | PFKL858462 | 78148S2A013 | PANEL, R. PRINT SWITCH | £0.00 | 1 |
| 17 | PFKL858803 | 78155S2A013 | VISOR | £0.00 | 1 |
| 18 | PFKL858874 | 78159S2AJ01 | PLATE, DIFFUSION | £51.63 | 1 |
| 19 | PFKL859211 | 78170S2AE03 | LENS ASSY., METER | £109.18 | 1 |
| 20 | PFKL979727 | 90102SB2003 | SCREW, TAPPING, 4X14 | £0.00 | 5 |
| 21 | PFKL1020634 | 9390344380 | SCREW, TAPPING, 4X12 | £1.44 | 4 |
| 22 | PFKL989319 | 90302SA4003 | NUT, SPRING, 4MM | £7.20 | 2 |
| 23 | PFKL1014444 | 91640SM4003 | GROMMET, SCREW, 4MM | £4.81 | 2 |

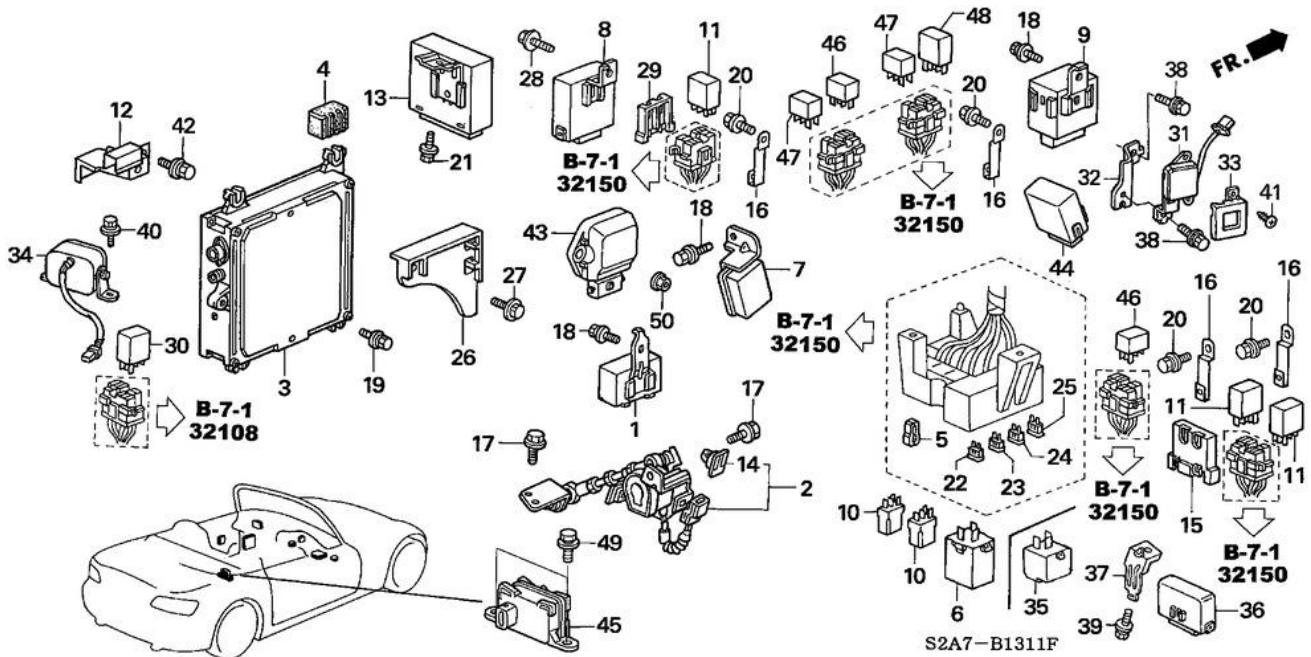
B-13-1 CONTROL UNIT(ENGINE ROOM) (RH)



| Ref | Part No | Honda Part No | Description | Price (Each) | Req Qty |
|-----|-----------------------------|---------------|--|--------------|---------|
| 2 | PFKL557789 | 38212SM4003 | FUSE, BLOCK (40A) | £13.84 | 1 |
| 3 | PFKL557804 | 38214SS1003 | FUSE, BLOCK (60A) | £16.10 | 1 |
| 4 | PFKL557965 | 38215SX8003 | FUSE, BLOCK (70A) | £11.72 | 1 |
| 5 | PFKL558019 | 38218SM4003 | FUSE, BLOCK (100A) | £11.41 | 1 |
| 6 | PFKL558184 | 38230S2AE01 | BOX ASSY., SUB FUSE | £0.00 | 1 |
| 7 | PFKL558212 | 38231S04003 | FUSE, BLOCK (30A) | £7.18 | 3 |
| 8 | PFKL558213 | 38231S04961 | FUSE, BLOCK (40A) | £4.93 | 2 |
| 9 | PFKL558216 | 38231S10003 | FUSE, BLOCK (20A) | £7.69 | 3 |
| 10 | PFKL558217 | 38231S2A000 | STAY, SUB FUSE BOX | £7.89 | 1 |
| 11 | PFKL558235 | 38233S2AE01 | LABEL, FUSE | £0.00 | 1 |
| 12 | PFKL558239 | 38234S2AE01 | COVER, UPPER | £17.08 | 1 |
| 13 | PFKL558607 | 38250S2AG03 | BOX ASSY., RELAY | £0.00 | 1 |
| 14 | PFKL558767 | 38251S2A000 | BRACKET, RELAY BOX (A) | £7.92 | 1 |
| 15 | PFKL558846 | 38252SX8T01 | COVER, LOWER | £25.21 | 1 |
| 16 | PFKL558854 | 38252S2A000 | BRACKET, RELAY BOX (R.) | £0.00 | 1 |
| 17 | PFKL559101 | 38255S0XA01 | COVER, LOWER | £0.00 | 1 |
| 18 | PFKL558960 | 38253S2AG01 | LABEL, MAIN | £0.00 | 1 |
| 19 | PFKL559048 | 38254S2AG01 | COVER, UPPER | £12.74 | 1 |
| 20 | PFKL559158 | 38260PCX003 | CASE ASSY., FUSE | £43.82 | 1 |
| 21 | PFKL559188 | 38261PCX000 | BRACKET COMP., FUSE | £10.36 | 1 |
| 22 | PFKL2054865 | 39792SL4003 | RELAY ASSY., POWER (4P) (DENSO) (056700-7410) | £59.12 | 1 |
| 23 | PFKL571865 | 39794PCX023 | CONTACTOR ASSY. | £161.67 | 1 |
| 24 | PFKL571903 | 39794S04014 | RELAY ASSY., POWER (4P) (MICRO ISO) (MATSUSHITA) | £28.15 | 0 |
| 24 | PFKL571901 | 39794S04003 | RELAY ASSY., POWER (4P) (MICRO ISO) (MITSUBA) | £58.47 | 0 |
| 25 | PFKL572394 | 39980S2A043 | EPS UNIT | £1,293.08 | 1 |
| 26 | PFKL982824 | 90114SM4900 | BOLT, 6X15 | £6.37 | 2 |
| 27 | PFKL985048 | 90129SX8003 | SCREW-WASHER, 5X12 | £4.75 | 4 |

| | | | | | |
|----|-----------------------------|--------------|---|--------|---|
| 28 | PFKL985049 | 90129S84000 | SCREW-WASHER, 5X14 | £0.00 | 4 |
| 29 | PFKL986348 | 90150S84003 | BOLT, EARTH, 8X16 | £4.32 | 2 |
| 30 | PFKL987848 | 90182SB6000 | BOLT-WASHER, 6X16 | £3.42 | 2 |
| 31 | PFKL1017311 | 934030602008 | BOLT-WASHER, 6X20 | £2.14 | 3 |
| 32 | PFKL1017477 | 934050601608 | BOLT-WASHER, 6X16 | £2.30 | 4 |
| 33 | PFKL1028254 | 957010601208 | BOLT, FLANGE, 6X12 | £1.87 | 4 |
| 34 | PFKL1032089 | 9820040750 | FUSE, MINI (7.5A) | £1.87 | 0 |
| 35 | PFKL1032090 | 9820041000 | FUSE, MINI (10A) | £1.87 | 0 |
| 36 | PFKL1032091 | 9820041500 | FUSE, MINI (15A) | £1.87 | 0 |
| 37 | PFKL1032092 | 9820042000 | FUSE, MINI (20A) | £1.87 | 0 |
| 39 | PFKL571845 | 39793SE3003 | RELAY ASSY., POWER (5P) (058700-1081) (DENSO) | £54.67 | 1 |
| 40 | PFKL985149 | 90130SR3003 | BOLT, 5X13 | £3.53 | 2 |
| 41 | PFKL986282 | 90149SE0003 | BOLT, EARTH, 6X16 | £5.51 | 1 |
| 42 | PFKL555159 | 38100S2AA02 | HORN ASSY., LOW | £90.52 | 1 |
| 42 | PFKL555159 | 38100S2AA02 | HORN ASSY., LOW | £90.52 | 1 |
| 43 | PFKL556216 | 38150S2A013 | HORN ASSY., HIGH | £90.52 | 1 |
| 43 | PFKL556216 | 38150S2A013 | HORN ASSY., HIGH | £90.52 | 1 |
| 44 | PFKL483724 | 32146SH3003 | CONNECTOR, DIODE (2P) | £16.93 | 1 |
| 45 | PFKL878097 | 80521S2A000 | BRACKET, AMBIENT SENSOR | £10.36 | 1 |
| 46 | PFKL878119 | 80525S30941 | SENSOR ASSY., AMBIENT | £59.80 | 1 |
| 48 | PFKL1017301 | 934030601605 | BOLT-WASHER, 6X16 | £2.14 | 1 |
| 48 | PFKL1017300 | 934030601604 | BOLT-WASHER, 6X16 | £2.14 | 1 |

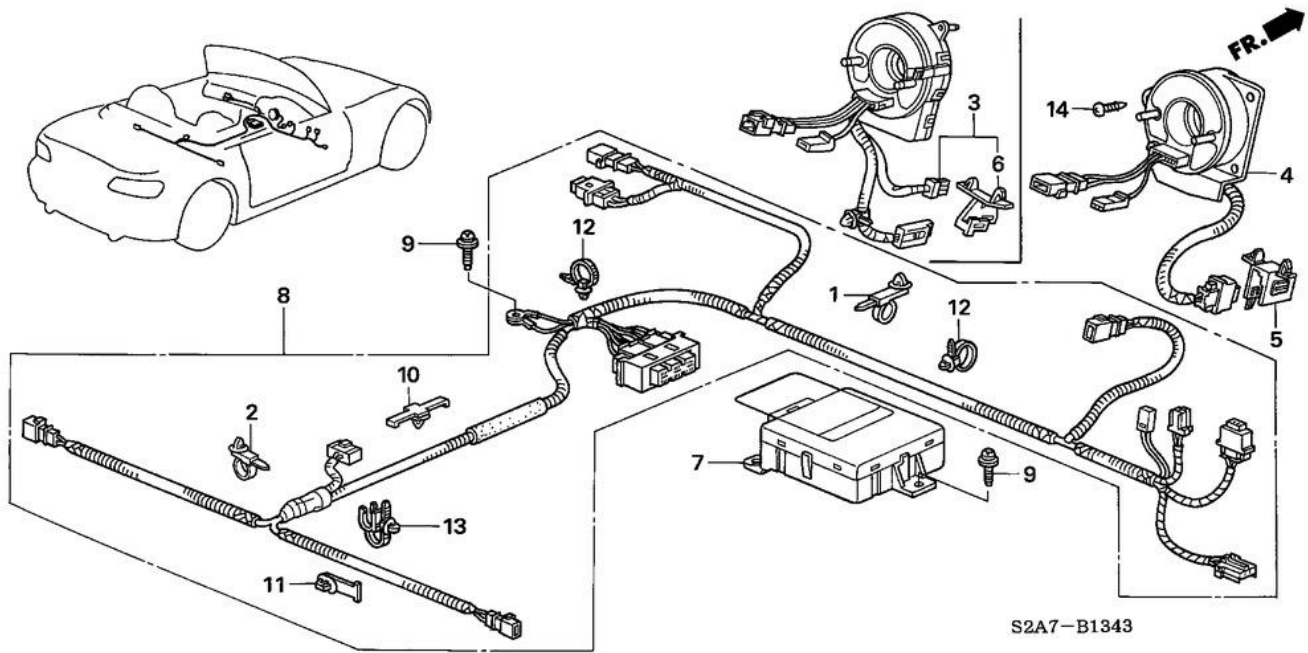
B-13-11 CONTROL UNIT (CABIN) (RH)



| Ref | Part No | Honda Part No | Description | Price (Each) | Req Qty |
|-----|-----------------------------|---------------|--|--------------|---------|
| 1 | PFKL497765 | 33137S2A003 | CONTROL UNIT, AUTO LEVELING ELECTRONIC | £0.00 | 1 |
| 2 | PFKL497950 | 33146S2AG01 | SENSOR ASSY., HEADLIGHT ADJUSTER RR. | £336.70 | 1 |
| 3 | PFKL2072137 | 37820PCXG08 | CONTROL MODULE, ENGINE (REWITABLE) | £0.00 | 1 |
| 4 | PFKL554418 | | RUBBER, CUSHION | £6.34 | 1 |
| 5 | PFKL558254 | 37826P2A000 | PULLER, MINI FUSE (TAIHEIYO) | £6.75 | 1 |
| 7 | PFKL559763 | 38235SX8003 | RELAY, CLEANER CONTROL | £183.99 | 1 |
| 8 | PFKL559996 | 38310S84E01 | CONTROL UNIT, DOOR & TRUNK LOCK & KEYLESS | £0.00 | 1 |
| 10 | PFKL571903 | 38380S2AG11 | RELAY ASSY., POWER (4P) (MICRO ISO) (MATSUSHITA) | £28.15 | 4 |
| 11 | PFKL571905 | 39794S04014 | RELAY ASSY., POWER (5P) (MICRO ISO) (MITSUBA) | £45.64 | 3 |
| 12 | PFKL747816 | 39794S10003 | BRACKET, ENGINE CONTROL MODULE | £0.00 | 1 |
| 13 | PFKL947404 | 64533S2A300ZZ | CONTROL UNIT, SOFT TOP | £308.67 | 1 |
| 14 | PFKL1013485 | 86500S2A003 | CLIP, COUPLER (DARK GREEN) | £4.64 | 1 |
| 16 | PFKL1014592 | 91565S0X003 | BRACKET, RELAY BLOCK (ISO) | £0.00 | 4 |
| 17 | PFKL1017247 | 91755SX0010 | BOLT-WASHER, 8X16 | £1.85 | 4 |
| 18 | PFKL1017303 | 934020801608 | BOLT-WASHER, 6X16 | £2.14 | 2 |
| 19 | PFKL1017396 | 934030601608 | BOLT-WASHER, 6X20 | £1.87 | 2 |
| 20 | PFKL1017303 | 934040602008 | BOLT-WASHER, 6X16 | £2.14 | 4 |
| 21 | PFKL1028296 | 934030601608 | BOLT, FLANGE, 6X20 | £1.87 | 1 |
| 22 | PFKL1032089 | 957010602008 | FUSE, MINI (7.5A) | £1.87 | 0 |
| 23 | PFKL1032090 | 9820040750 | FUSE, MINI (10A) | £1.87 | 0 |
| 24 | PFKL1032091 | 9820041000 | FUSE, MINI (15A) | £1.87 | 0 |
| 25 | PFKL1032092 | 9820041500 | FUSE, MINI (20A) | £1.87 | 0 |
| 28 | PFKL1017293 | 9820042000 | BOLT-WASHER, 6X12 | £2.14 | 1 |
| 30 | PFKL571905 | 934030601208 | RELAY ASSY., POWER (5P) (MICRO ISO) (MITSUBA) | £45.64 | 1 |
| 31 | PFKL543390 | 39794S10003 | SENSOR ASSY., MICROWAVE INTRUSION | £0.00 | 1 |
| 32 | PFKL543460 | 37100S2AE02 | BRACKET, MICROWAVE SENSOR | £0.00 | 1 |
| 33 | PFKL543553 | 37101S2AE00 | CASE, MICROWAVE SENSOR | £0.00 | 1 |

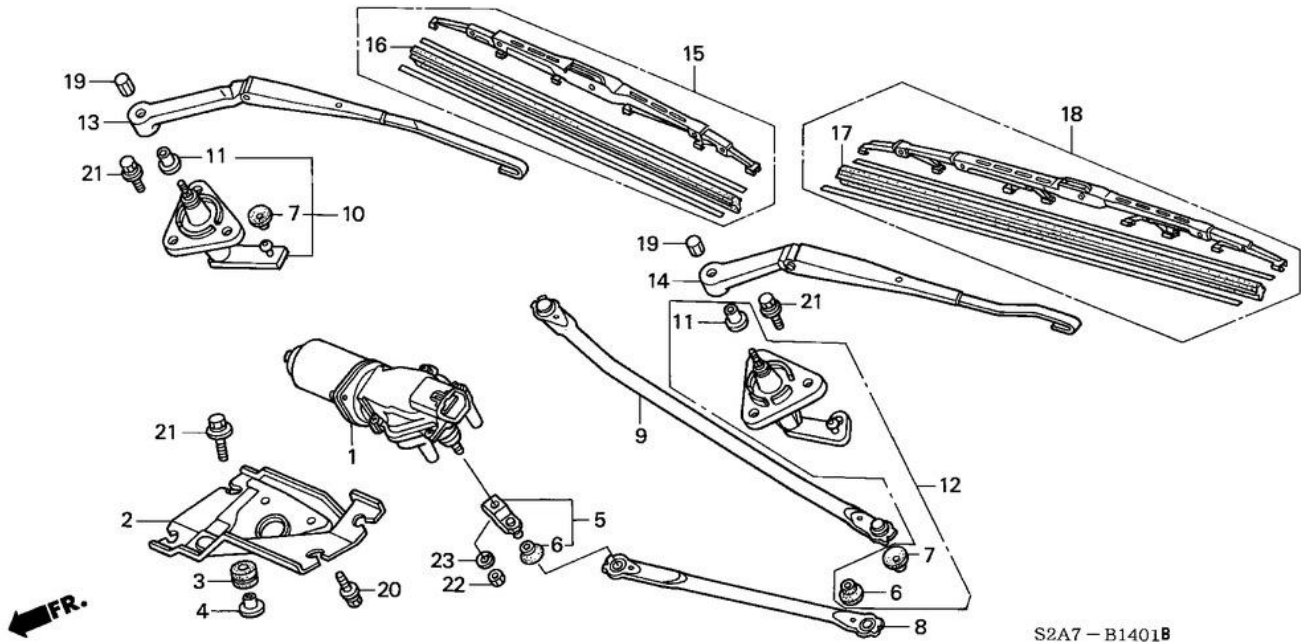
| | | | | | |
|----|-----------------------------|--------------|---|---------|---|
| 34 | PFKL544168 | 37102S2A000 | SIREN ASSY., ALARM CONTROL | £671.27 | 1 |
| 35 | PFKL559312 | 37110S2AE01 | RELAY ASSY., TURN SIGNAL & HAZARD (FR-3321) (MITSUBA) | £39.02 | 1 |
| 35 | PFKL559312 | 38300S5T004 | RELAY ASSY., TURN SIGNAL & HAZARD (066500-5080) (DENSO) | £39.02 | 1 |
| 36 | PFKL572219 | 38300S5T004 | SECURITY UNIT | £255.54 | 1 |
| 37 | PFKL572224 | 39880S2AE01 | BRACKET, SECURITY UNIT | £0.00 | 1 |
| 38 | PFKL1017149 | 39881S2A000 | BOLT-WASHER, 6X12 | £1.87 | 2 |
| 39 | PFKL1017288 | 934010601208 | BOLT-WASHER, 6X10 | £2.14 | 1 |
| 40 | PFKL1017293 | 934030601008 | BOLT-WASHER, 6X12 | £2.14 | 2 |
| 41 | PFKL1019554 | 934030601208 | SCREW-WASHER, 5X8 | £1.51 | 1 |
| 42 | PFKL1017467 | 938910500808 | BOLT-WASHER, 6X12 | £2.14 | 2 |
| 43 | PFKL554564 | 934050601208 | DRIVER UNIT, DRIVE BY WIRE | £0.00 | 1 |
| 44 | PFKL571559 | 37850PZXA01 | IMOES UNIT | £109.17 | 1 |
| 45 | PFKL572311 | 39720SAA013 | SENSOR ASSY., CLUSTER | £874.99 | 1 |
| 46 | PFKL571878 | 39960S2AA01 | RELAY ASSY., POWER (MICRO ISO) (DENSO) | £27.70 | 2 |
| 46 | PFKL571881 | 39794SDAA02 | RELAY ASSY., POWER (MICRO ISO) (MITSUBA) | £27.70 | 2 |
| 47 | PFKL571886 | 39794SDAA05 | RELAY ASSY., ENGINE CONTROL MODULE (MITSUBA) | £27.70 | 2 |
| 47 | PFKL571886 | 39794SDA902 | RELAY ASSY., ENGINE CONTROL MODULE (DENSO) | £27.70 | 2 |
| 48 | PFKL571907 | 39794SDA902 | RELAY ASSY., FUEL PUMP (5P) (MITSUBA) | £26.78 | 1 |
| 48 | PFKL571907 | 39794S5A003 | RELAY ASSY., FUEL PUMP (5P) (DENSO) | £26.78 | 1 |
| 49 | PFKL1017477 | 39794S5A003 | BOLT-WASHER, 6X16 | £2.30 | 2 |
| 50 | PFKL1021328 | 934050601608 | NUT, FLANGE, 6MM | £2.16 | 2 |

B-13-43 SRS UNIT (RH)('06-)



| Ref | Part No | Honda Part No | Description | Price (Each) | Req Qty |
|-----|-----------------------------|---------------|---|--------------|---------|
| 1 | PFKL483401 | 32132S6A003 | BAND, WIRE HARNESS OFFSET (20) (DARK GREEN) (122.5MM) | £6.46 | 1 |
| 2 | PFKL483423 | 32134SM4003 | BAND, HARNESS OFFSET (10) (BROWN) (122.5MM) | £6.87 | 1 |
| 4 | PFKL854165 | 77900S84G02 | REEL ASSY., CABLE (FURUKAWA) | £183.59 | 1 |
| 5 | PFKL854197 | 77907S04003 | HOLDER, CONNECTOR (2P) | £6.98 | 1 |
| 7 | PFKL854414 | 77960S2AE81 | SRS UNIT | £613.42 | 1 |
| 8 | PFKL854615 | 77961S2AN00 | HARNESS, SRS MAIN | £481.77 | 1 |
| 9 | PFKL985782 | 90137S84A01 | BOLT, TORX EARTH, 6X20 | £6.37 | 4 |
| 10 | PFKL1012038 | 91507693003 | CLIP, WIRE HARNESS (BLACK) (50MM) (HARNESS TAPING) | £4.23 | 1 |
| 11 | PFKL1012469 | 91531S04003 | CLIP, WIRE HARNESS (NATURAL) (44MM) | £3.37 | 1 |
| 12 | PFKL1012597 | 91540S30003 | CLIP, HARNESS BAND (NATURAL) (151.5MM) | £5.35 | 5 |
| 13 | PFKL1013418 | 91563SF4003 | BAND, WIRE HARNESS (WHITE) (100.5MM) | £6.17 | 3 |
| 14 | PFKL1020814 | 9391314480 | SCREW, TAPPING, 4X16 (PO) | £1.10 | 3 |

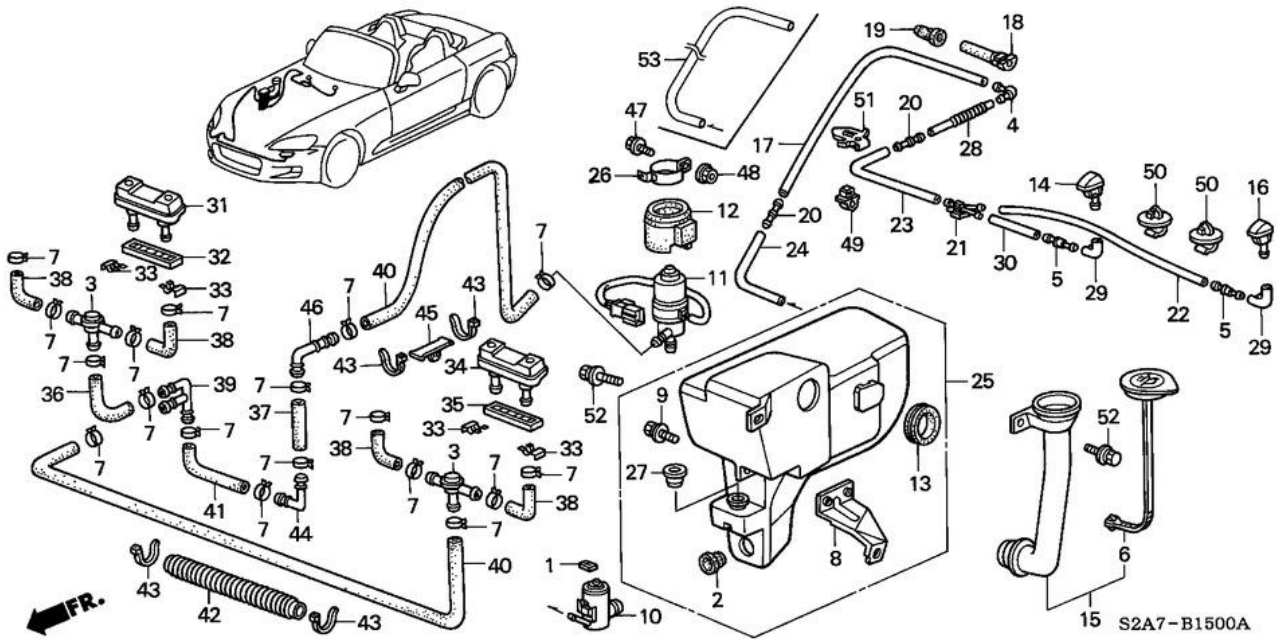
B-14-1 FRONT WINDSHIELD WIPER (RH)



S2A7 - B1401B

| Ref | Part No | Honda Part No | Description | Price (Each) | Req Qty |
|-----|-----------------------------|---------------|--|--------------|---------|
| 1 | PFKL828942 | 76505S04Y01 | MOTOR COMP., FR. WIPER (MITSUBA) | £219.04 | 1 |
| 2 | PFKL828975 | 76507S2A003 | BRACKET | £0.00 | 1 |
| 3 | PFKL828983 | 76510SX0003 | MOUNT, RUBBER (B) | £7.04 | 4 |
| 4 | PFKL828988 | 76511SX0003 | COLLAR (FLANGE) | £6.34 | 4 |
| 5 | PFKL2519623 | 76520SCC003 | LINK UNIT A | £26.99 | 1 |
| 6 | PFKL829126 | 76524SD4003 | DUST SEAL | £6.55 | 2 |
| 7 | PFKL829128 | 76524SE0013 | DUST SEAL | £8.64 | 2 |
| 8 | PFKL829322 | 76540S2A003 | ROD UNIT A | £15.06 | 1 |
| 9 | PFKL829380 | 76550S2A003 | ROD UNIT B | £31.72 | 1 |
| 10 | PFKL829437 | 76560S2A003 | PIVOT ASSY. C | £47.60 | 1 |
| 11 | PFKL829458 | 76561S2H003 | CAP B, PIVOT | £12.94 | 2 |
| 12 | PFKL829505 | 76570S2A003 | PIVOT ASSY. B | £47.60 | 1 |
| 13 | PFKL829669 | 76600S2AE02 | ARM, WINDSHIELD WIPER (DRIVER SIDE) | £66.11 | 1 |
| 14 | PFKL829839 | 76610S2AE02 | ARM, WINDSHIELD WIPER (PASSENGER SIDE) | £66.11 | 1 |
| 15 | PFKL830040 | 76620S2AE03 | BLADE, WINDSHIELD WIPER (400MM) | £13.65 | 1 |
| 16 | PFKL830352 | 76632S7SJ01 | RUBBER, BLADE (400MM) | £11.26 | 1 |
| 17 | PFKL2311489 | Y766AS6M003 | RUBBER, BLADE (500MM) | £12.79 | 1 |
| 18 | PFKL830278 | 76630S2A023 | BLADE, WINDSHIELD WIPER (500MM) | £13.65 | 1 |
| 19 | PFKL988282 | 90201SK7000 | NUT, HEX. CAP, 10MM | £7.25 | 2 |
| 20 | PFKL1017229 | 934020601408 | BOLT-WASHER, 6X14 | £1.87 | 3 |
| 21 | PFKL1017484 | 934050602008 | BOLT-WASHER, 6X20 | £2.14 | 10 |
| 22 | PFKL1021072 | 94002080800S | NUT, HEX., 8MM | £1.51 | 1 |
| 23 | PFKL1021546 | 9411108800 | WASHER, SPRING, 8MM | £1.37 | 1 |

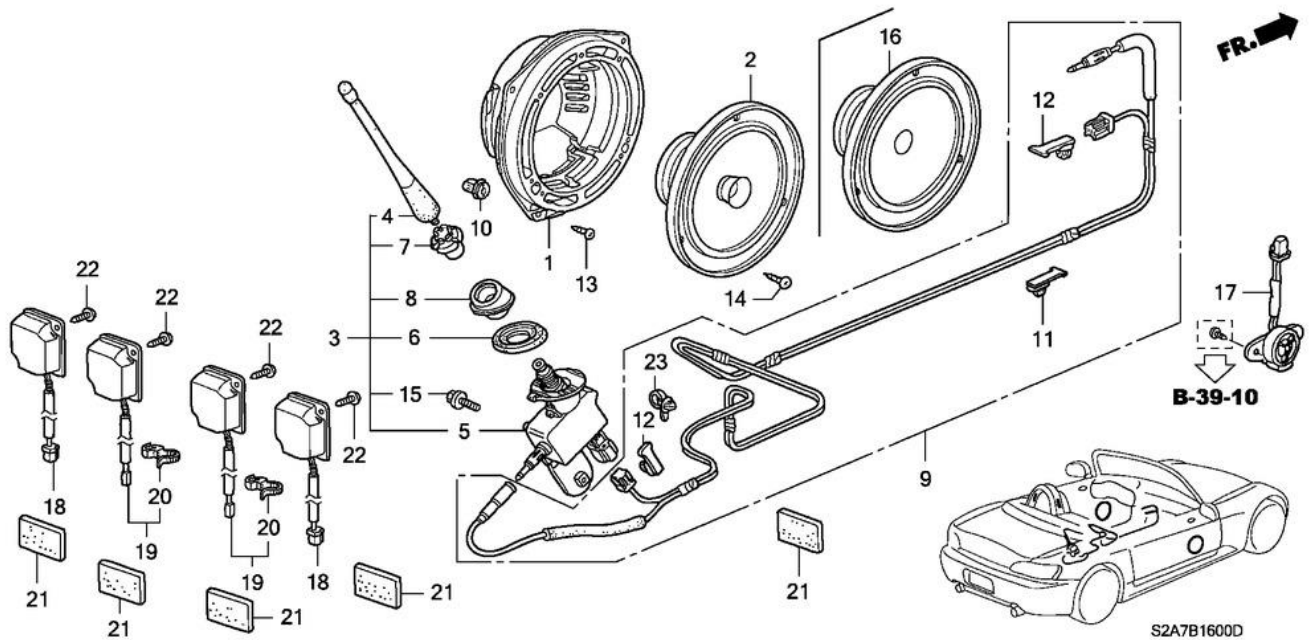
B-15 WINDSHIELD WASHER



| Ref | Part No | Honda Part No | Description | Price (Each) | Req Qty |
|-----|-----------------------------|---------------|---|--------------|---------|
| 1 | PFKL562152 | 38516SA5671 | PACKING (T-TYPE) (MITSUBA) | £4.75 | 1 |
| 2 | PFKL562159 | 38519SB0003 | BUSH, WASHER TANK (MITSUBA) | £6.84 | 1 |
| 3 | PFKL562449 | 38545692731 | VALVE, CHECK | £42.83 | 2 |
| 4 | PFKL562587 | 38562SA0003 | JOINT L, WASHER TUBE (MITSUBA) | £9.31 | 1 |
| 5 | PFKL562640 | 38571SA5621 | VALVE, ONE WAY (MITSUBA) | £12.50 | 2 |
| 6 | PFKL831031 | 76802S2AG01 | CAP, MOUTH | £11.84 | 1 |
| 7 | PFKL831033 | 76803SE1S03 | CLIP, WASHER HOSE | £4.30 | 18 |
| 8 | PFKL831040 | 76803S2AG01 | BRACKET | £17.40 | 1 |
| 9 | PFKL831053 | 76804S2AG01 | BOLT-WASHER | £6.37 | 2 |
| 10 | PFKL831156 | 76806SLOE11 | MOTOR, WASHER (HIGH) (MITSUBA) | £62.98 | 1 |
| 11 | PFKL831164 | 76806SM5G03 | PUMP, WASHER | £126.38 | 1 |
| 12 | PFKL831202 | 76807SM5G03 | COVER | £12.87 | 1 |
| 13 | PFKL831221 | 76809SZ3A01 | SEAL, PACKING | £8.01 | 1 |
| 14 | PFKL831711 | 76810S2A003ZU | NOZZLE ASSY., R. WINDSHIELD WASHER *YR564M* | £0.00 | 1 |
| 14 | PFKL831707 | 76810S2A003ZP | NOZZLE ASSY., R. WINDSHIELD WASHER *B523P* | £20.22 | 1 |
| 14 | PFKL831708 | 76810S2A003ZR | NOZZLE ASSY., R. WINDSHIELD WASHER *NH676M* | £21.59 | 1 |
| 14 | PFKL831709 | 76810S2A003ZS | NOZZLE ASSY., R. WINDSHIELD WASHER *Y65P* | £0.00 | 1 |
| 14 | PFKL831710 | 76810S2A003ZT | NOZZLE ASSY., R. WINDSHIELD WASHER *B545P* | £20.22 | 1 |
| 14 | PFKL2160999 | 76810S2AG01ZM | NOZZLE ASSY., R. WINDSHIELD WASHER *YR536P* | £20.22 | 1 |
| 14 | PFKL831705 | 76810S2A003ZM | NOZZLE ASSY., R. WINDSHIELD WASHER *R508P* | £0.00 | 1 |
| 14 | PFKL831704 | 76810S2A003ZL | NOZZLE ASSY., R. WINDSHIELD WASHER *NH609P* | £20.22 | 1 |
| 14 | PFKL831702 | 76810S2A003ZH | NOZZLE ASSY., R. WINDSHIELD WASHER *B513M* | £21.59 | 1 |
| 14 | PFKL831700 | 76810S2A003ZE | NOZZLE ASSY., R. WINDSHIELD WASHER *R510* | £21.59 | 1 |
| 14 | PFKL832110 | 76815S2A003ZD | NOZZLE ASSY., R. WINDSHIELD WASHER *NH630M* | £21.59 | 1 |
| 14 | PFKL832108 | 76815S2A003ZB | NOZZLE ASSY., R. WINDSHIELD WASHER *NH547* | £21.59 | 1 |
| 15 | PFKL831857 | 76812S2AG01 | HOSE ASSY. (HEADLIGHT WASHER) | £42.31 | 1 |
| 16 | PFKL832122 | 76815S2A003ZU | NOZZLE ASSY., L. WINDSHIELD WASHER *YR564M* | £0.00 | 1 |

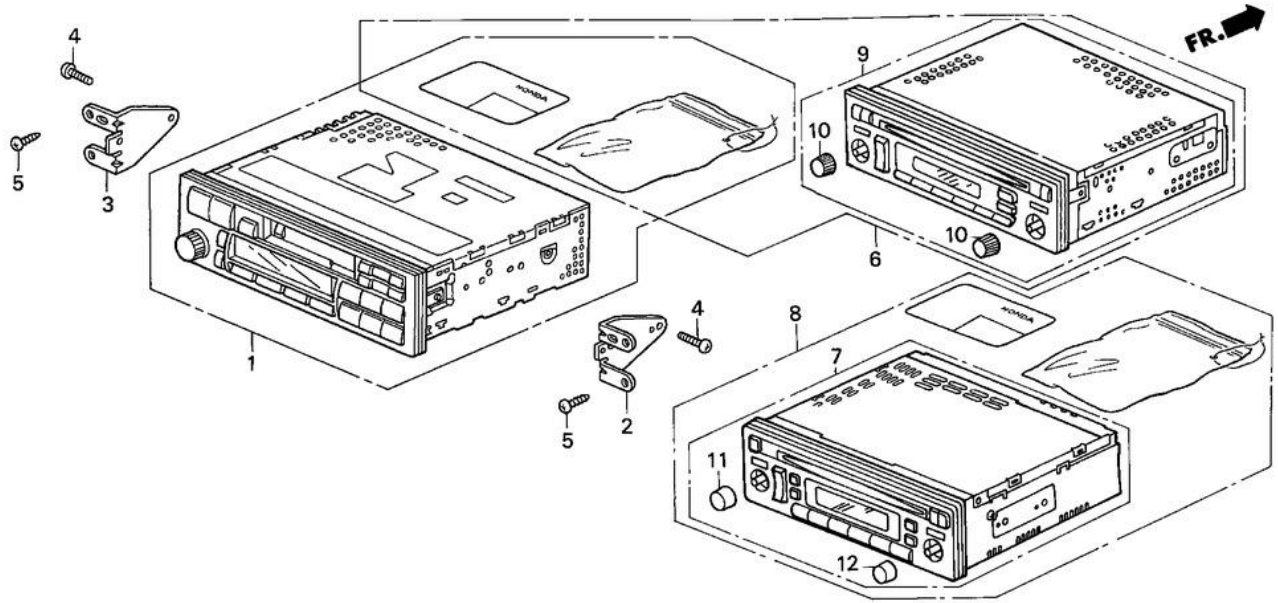
| | | | | | |
|----|-----------------------------|---------------|---|---------|---|
| 16 | PFKL831710 | 76810S2A003ZT | NOZZLE ASSY., L. WINDSHIELD WASHER *B545P* | £20.22 | 1 |
| 16 | PFKL831709 | 76810S2A003ZS | NOZZLE ASSY., L. WINDSHIELD WASHER *Y65P* | £0.00 | 1 |
| 16 | PFKL831708 | 76810S2A003ZR | NOZZLE ASSY., L. WINDSHIELD WASHER *NH676M* | £21.59 | 1 |
| 16 | PFKL831707 | 76810S2A003ZP | NOZZLE ASSY., L. WINDSHIELD WASHER *B523P* | £20.22 | 1 |
| 16 | PFKL2160999 | 76810S2AG01ZM | NOZZLE ASSY., L. WINDSHIELD WASHER *YR536P* | £20.22 | 1 |
| 16 | PFKL831705 | 76810S2A003ZM | NOZZLE ASSY., L. WINDSHIELD WASHER *R508P* | £0.00 | 1 |
| 16 | PFKL831704 | 76810S2A003ZL | NOZZLE ASSY., L. WINDSHIELD WASHER *NH609P* | £20.22 | 1 |
| 16 | PFKL831702 | 76810S2A003ZH | NOZZLE ASSY., L. WINDSHIELD WASHER *B513M* | £21.59 | 1 |
| 16 | PFKL831700 | 76810S2A003ZE | NOZZLE ASSY., L. WINDSHIELD WASHER *R510* | £21.59 | 1 |
| 16 | PFKL832110 | 76815S2A003ZD | NOZZLE ASSY., L. WINDSHIELD WASHER *NH630M* | £21.59 | 1 |
| 16 | PFKL832108 | 76815S2A003ZB | NOZZLE ASSY., L. WINDSHIELD WASHER *NH547* | £21.59 | 1 |
| 18 | PFKL832250 | 76820SE0003 | GROMMET, WASHER TUBE | £7.69 | 1 |
| 19 | PFKL832276 | 76820SL4003 | GROMMET, TUBE WASHER | £0.00 | 1 |
| 20 | PFKL832586 | 76829SM4003 | JOINT I, WASHER | £8.94 | 1 |
| 21 | PFKL832676 | 76830SM4003 | JOINT Y, WASHER | £6.94 | 1 |
| 22 | PFKL2340088 | 76800T0AP30 | TUBE, L. NOZZLE | £9.09 | 1 |
| 23 | PFKL2340088 | 76800T0AP30 | TUBE, L. NOZZLE | £9.09 | 1 |
| 25 | PFKL833110 | 76841S2AG01 | TANK SET, WASHER | £116.49 | 1 |
| 26 | PFKL833140 | 76845SP0E03 | BRACKET, MOTOR | £9.48 | 1 |
| 27 | PFKL833156 | 76847SM5G03 | PACKING | £4.55 | 1 |
| 28 | PFKL833229 | 76851SD5003 | BELLOWS, RR. WASHER | £0.00 | 1 |
| 29 | PFKL833266 | 76852SL0003 | JOINT, WASHER (L) | £15.00 | 2 |
| 30 | PFKL2337882 | 76800T0AP00 | TUBE B | £6.75 | 1 |
| 31 | PFKL833456 | 76880S2AG11ZJ | NOZZLE ASSY., R. HEADLIGHT WASHER *R508P* | £79.08 | 1 |
| 31 | PFKL833458 | 76880S2AG11ZL | NOZZLE ASSY., R. HEADLIGHT WASHER *YR536P* | £79.08 | 1 |
| 31 | PFKL833459 | 76880S2AG11ZM | NOZZLE ASSY., R. HEADLIGHT WASHER *Y65P* | £79.08 | 1 |
| 31 | PFKL833460 | 76880S2AG11ZN | NOZZLE ASSY., R. HEADLIGHT WASHER *B545P* | £79.08 | 1 |
| 31 | PFKL833461 | 76880S2AG11ZP | NOZZLE ASSY., R. HEADLIGHT WASHER *YR564M* | £74.10 | 1 |
| 31 | PFKL833462 | 76880S2AG11ZQ | NOZZLE ASSY., R. HEADLIGHT WASHER *NH609P* | £74.10 | 1 |
| 31 | PFKL833457 | 76880S2AG11ZK | NOZZLE ASSY., R. HEADLIGHT WASHER *R510* | £79.08 | 1 |
| 31 | PFKL833455 | 76880S2AG11ZH | NOZZLE ASSY., R. HEADLIGHT WASHER *NH676M* | £79.08 | 1 |
| 31 | PFKL833454 | 76880S2AG11ZG | NOZZLE ASSY., R. HEADLIGHT WASHER *NH630M* | £79.08 | 1 |
| 31 | PFKL833453 | 76880S2AG11ZE | NOZZLE ASSY., R. HEADLIGHT WASHER *NH547* | £79.08 | 1 |
| 31 | PFKL833451 | 76880S2AG11ZB | NOZZLE ASSY., R. HEADLIGHT WASHER *B523P* | £79.08 | 1 |
| 31 | PFKL833450 | 76880S2AG11ZA | NOZZLE ASSY., R. HEADLIGHT WASHER *B513M* | £79.08 | 1 |
| 33 | PFKL833609 | 76882S2AG01 | CLIP, HEADLIGHT WASHER NOZZLE | £7.80 | 4 |
| 34 | PFKL833694 | 76885S2AG11ZL | NOZZLE ASSY., L. HEADLIGHT WASHER *YR536P* | £74.10 | 1 |
| 34 | PFKL833695 | 76885S2AG11ZM | NOZZLE ASSY., L. HEADLIGHT WASHER *Y65P* | £79.08 | 1 |
| 34 | PFKL833696 | 76885S2AG11ZN | NOZZLE ASSY., L. HEADLIGHT WASHER *B545P* | £79.08 | 1 |
| 34 | PFKL833697 | 76885S2AG11ZP | NOZZLE ASSY., L. HEADLIGHT WASHER *YR564M* | £79.08 | 1 |
| 34 | PFKL833698 | 76885S2AG11ZQ | NOZZLE ASSY., L. HEADLIGHT WASHER *NH609P* | £74.10 | 1 |
| 34 | PFKL833693 | 76885S2AG11ZK | NOZZLE ASSY., L. HEADLIGHT WASHER *R510* | £79.08 | 1 |
| 34 | PFKL833692 | 76885S2AG11ZJ | NOZZLE ASSY., L. HEADLIGHT WASHER *R508P* | £79.08 | 1 |
| 34 | PFKL833691 | 76885S2AG11ZH | NOZZLE ASSY., L. HEADLIGHT WASHER *NH676M* | £79.08 | 1 |
| 34 | PFKL833690 | 76885S2AG11ZG | NOZZLE ASSY., L. HEADLIGHT WASHER *NH630M* | £79.08 | 1 |
| 34 | PFKL833689 | 76885S2AG11ZE | NOZZLE ASSY., L. HEADLIGHT WASHER *NH547* | £79.08 | 1 |

| | | | | | |
|----|-----------------------------|---------------|---|--------|----|
| 34 | PFKL833687 | 76885S2AG11ZB | NOZZLE ASSY., L. HEADLIGHT WASHER *B523P* | £79.08 | 1 |
| 34 | PFKL833686 | 76885S2AG11ZA | NOZZLE ASSY., L. HEADLIGHT WASHER *B513M* | £79.08 | 1 |
| 36 | PFKL833899 | 76889S2AG01 | HOSE | £6.26 | 1 |
| 37 | PFKL833944 | 76892SS0S03 | HOSE (115MM) | £9.80 | 1 |
| 38 | PFKL833951 | 76892S10S01 | HOSE B | £5.13 | 4 |
| 39 | PFKL833952 | 76892S2AG01 | JOINT | £10.23 | 1 |
| 40 | PFKL833985 | 76893S2AG01 | HOSE | £18.99 | 2 |
| 41 | PFKL834005 | 76894SR3S03 | HOSE D | £8.37 | 1 |
| 42 | PFKL834009 | 76894S2AG01 | PROTECTOR | £6.85 | 1 |
| 43 | PFKL834024 | 76895S2AG01 | CLAMP | £2.00 | 10 |
| 44 | PFKL834031 | 76896SP0G03 | JOINT | £7.39 | 1 |
| 45 | PFKL834033 | 76896S2AG01 | CLIP | £4.84 | 4 |
| 46 | PFKL834044 | 76899S2AG01 | JOINT | £8.57 | 1 |
| 47 | PFKL983504 | 90118SM5G03 | BOLT-WASHER, 6MM | £3.33 | 1 |
| 48 | PFKL990462 | 90316SM5G03 | NUT, HEX., 6MM | £3.44 | 1 |
| 49 | PFKL997951 | 90652S2A003 | CLIP, TUBE, 7MM | £2.84 | 1 |
| 50 | PFKL1012335 | 91522SM4003 | CLIP, TUBE & INSULATOR | £3.67 | 2 |
| 51 | PFKL1012581 | 91539SS0003 | CLIP, TUBE WASHER | £6.98 | 1 |
| 52 | PFKL1017477 | 934050601608 | BOLT-WASHER, 6X16 | £2.30 | 3 |
| 53 | PFKL2338176 | 76800T0AP40 | TUBE C | £8.18 | 1 |



| Ref | Part No | Honda Part No | Description | Price (Each) | Req Qty |
|-----|-----------------------------|---------------|---|--------------|---------|
| 1 | PFKL566900 | 39112SM4000 | BRACKET, FR. SPEAKER SEAL | £22.67 | 2 |
| 3 | PFKL567880 | 39150S2AA01 | ANTENNA ASSY., AUTO RADIO | £242.11 | 1 |
| 4 | PFKL567997 | 39151S2HE01 | ELEMENT, ANTENNA | £50.83 | 1 |
| 5 | PFKL568087 | 39152S2AA01 | BASE COMP., ANTENNA | £161.67 | 1 |
| 6 | PFKL568149 | 39153S2A003 | PAD | £9.64 | 1 |
| 7 | PFKL568208 | 39154S2A003 | NUT | £9.88 | 1 |
| 8 | PFKL568365 | 39156S2A003 | INSULATOR | £7.85 | 1 |
| 9 | PFKL568510 | 39159S2A013 | FEEDER, ANTENNA | £0.00 | 1 |
| 10 | PFKL998552 | 90665SM4000 | GROMMET, SCREW, 4MM (YELLOW) | £2.66 | 8 |
| 11 | PFKL1012469 | 91531S04003 | CLIP, WIRE HARNESS (NATURAL) (44MM) | £3.37 | 1 |
| 12 | PFKL1012474 | 91531S84003 | CLIP, WIRE HARNESS (NATURAL) (44MM) (WITH SEAL) | £5.67 | 2 |
| 13 | PFKL1020653 | 9390345220 | SCREW, TAPPING, 5X12 | £1.44 | 8 |
| 14 | PFKL1020845 | 9391324220 | SCREW, TAPPING, 4X12 | £1.44 | 6 |
| 15 | PFKL1028277 | 957010601608 | BOLT, FLANGE, 6X16 | £1.87 | 1 |
| 16 | PFKL567217 | 39120S2A901 | SPEAKER ASSY. (MATSUSHITA) (16CM SINGLE CONE) | £74.88 | 2 |
| 17 | PFKL567213 | 39120S2AA11 | SPEAKER ASSY. (MATSUSHITA) (1 1/2" TWEETER) | £74.88 | 2 |
| 18 | PFKL567214 | 39120S2AA51 | SPEAKER ASSY. (PIONEER)(30MM) | £92.38 | 2 |
| 19 | PFKL567215 | 39120S2AA61 | SPEAKER ASSY. (PIONEER)(30MM) | £92.38 | 2 |
| 20 | PFKL1012613 | 91541S6M003 | CLIP, HARNESS BAND (BLACK) (140MM) | £4.25 | 2 |
| 21 | PFKL1014645 | 91902SB2003 | CUSHION, WIRE HARNESS (50X100) | £7.43 | 0 |
| 22 | PFKL1020813 | 9391314420 | SCREW, TAPPING, 4X16 (PO) | £1.44 | 8 |
| 23 | PFKL1012597 | 91540S30003 | CLIP, HARNESS BAND (NATURAL) (151.5MM) | £5.35 | 2 |

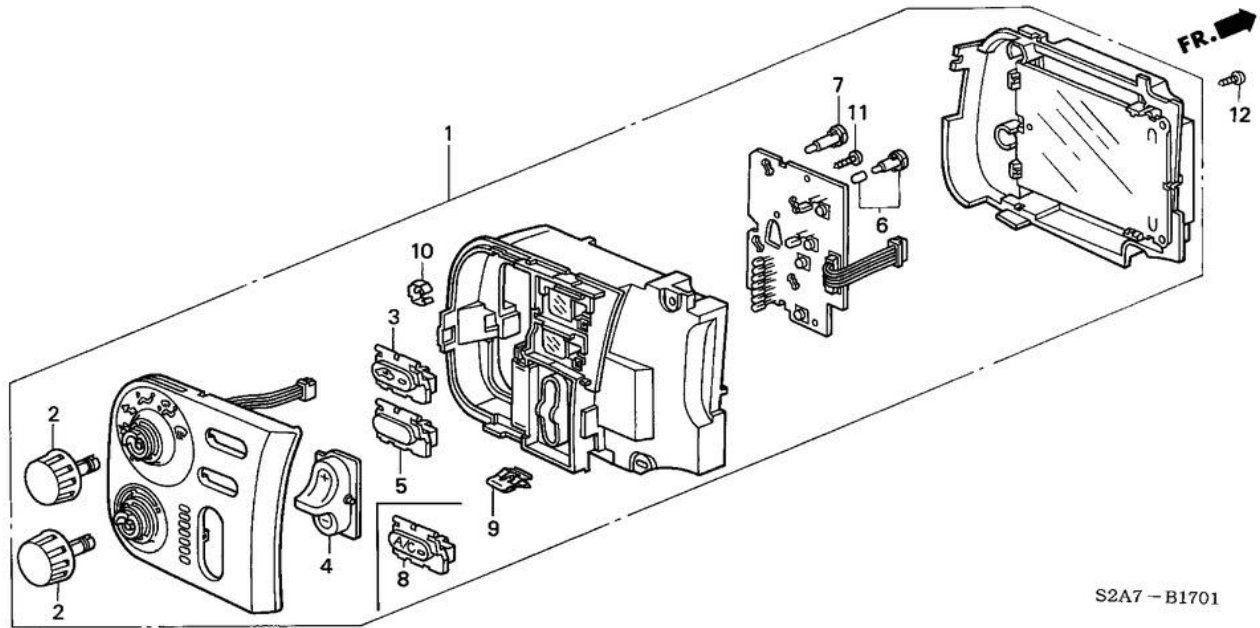
B-16-10 AUTO RADIO



S2A7-B1610B

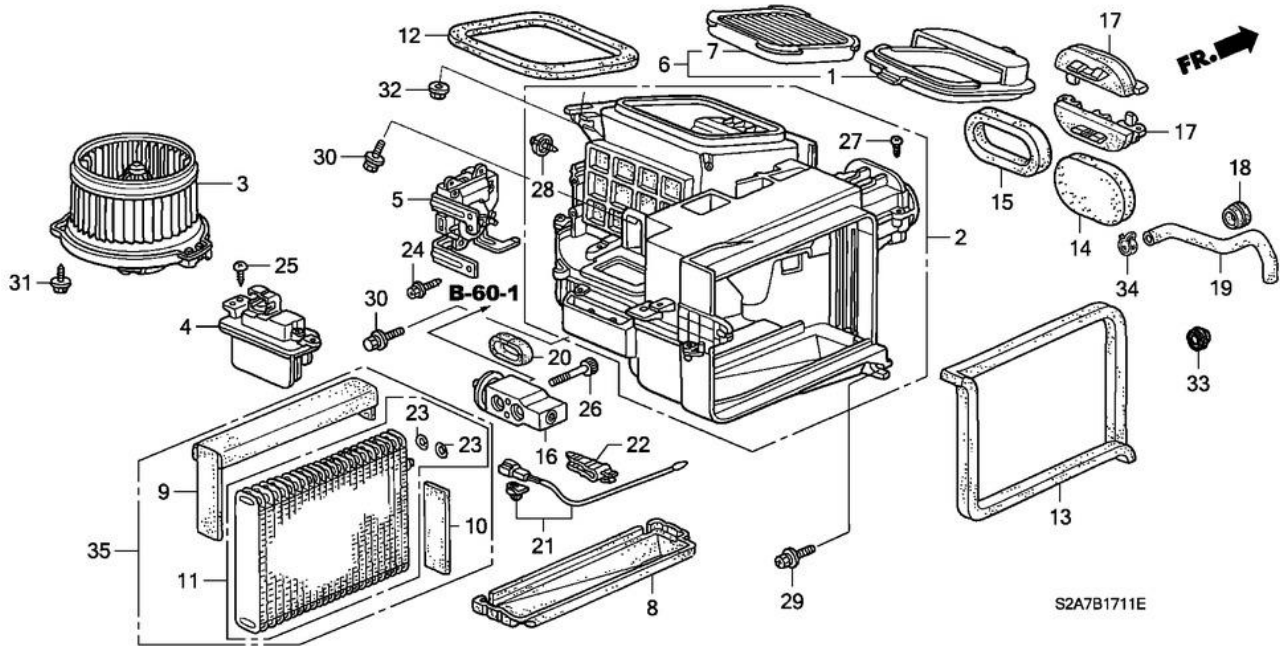
| Ref | Part No | Honda Part No | Description | Price (Each) | Req Qty |
|-----|-----------------------------|---------------|--|--------------|---------|
| 2 | PFKL566860 | PFKL566860 | BRACKET, R. RADIO | £5.99 | 1 |
| 3 | PFKL568618 | PFKL568618 | BRACKET, L. RADIO | £5.99 | 1 |
| 4 | PFKL1018441 | PFKL1018441 | SCREW, PAN, 5X8 | £1.44 | 4 |
| 5 | PFKL1020638 | PFKL1020638 | SCREW, TAPPING, 4X16 | £1.44 | 4 |
| 8 | PFKL566413 | PFKL566413 | TUNER ASSY., AUTO RADIO (PIONEER)(30WX4) | £1,408.72 | 1 |
| 11 | PFKL566628 | PFKL566628 | KNOB, VOLUME | £0.00 | 1 |
| 12 | PFKL566696 | PFKL566696 | KNOB (BASS/FADER) (TREBLE/BALANCE) | £0.00 | 1 |

B-17-1 HEATER CONTROL (RH)



| Ref | Part No | Honda Part No | Description | Price (Each) | Req Qty |
|-----|-----------------------------|---------------|-----------------------------|--------------|---------|
| 1 | PFKL864375 | 79500S2A921 | CONTROL ASSY., HEATER | £0.00 | 1 |
| 2 | PFKL865057 | 79601S2A911 | KNOB, TURN | £19.17 | 2 |
| 3 | PFKL865102 | 79602S2A911 | KNOB (REC) | £0.00 | 1 |
| 4 | PFKL865240 | 79608S2A911 | KNOB (FAN) | £14.95 | 1 |
| 6 | PFKL865408 | 79628S2A003 | BULB, NEO WEDGE (14V 100MA) | £5.62 | 2 |
| 7 | PFKL865503 | 79670SL0A01 | BULB, NEO WEDGE (14V 100MA) | £7.04 | 2 |
| 8 | PFKL877466 | 80411S2A911 | KNOB, AIR CONDITIONER | £16.65 | 1 |
| 9 | PFKL998722 | 90666SM4003 | CLIP, SNAP FITTING | £3.67 | 1 |
| 10 | PFKL1014444 | 91640SM4003 | GROMMET, SCREW, 4MM | £4.81 | 1 |
| 11 | PFKL1020173 | 9390122320 | SCREW, TAPPING, 3X12 | £1.44 | 7 |
| 12 | PFKL1020805 | 9391314220 | SCREW, TAPPING, 4X12 | £1.44 | 3 |

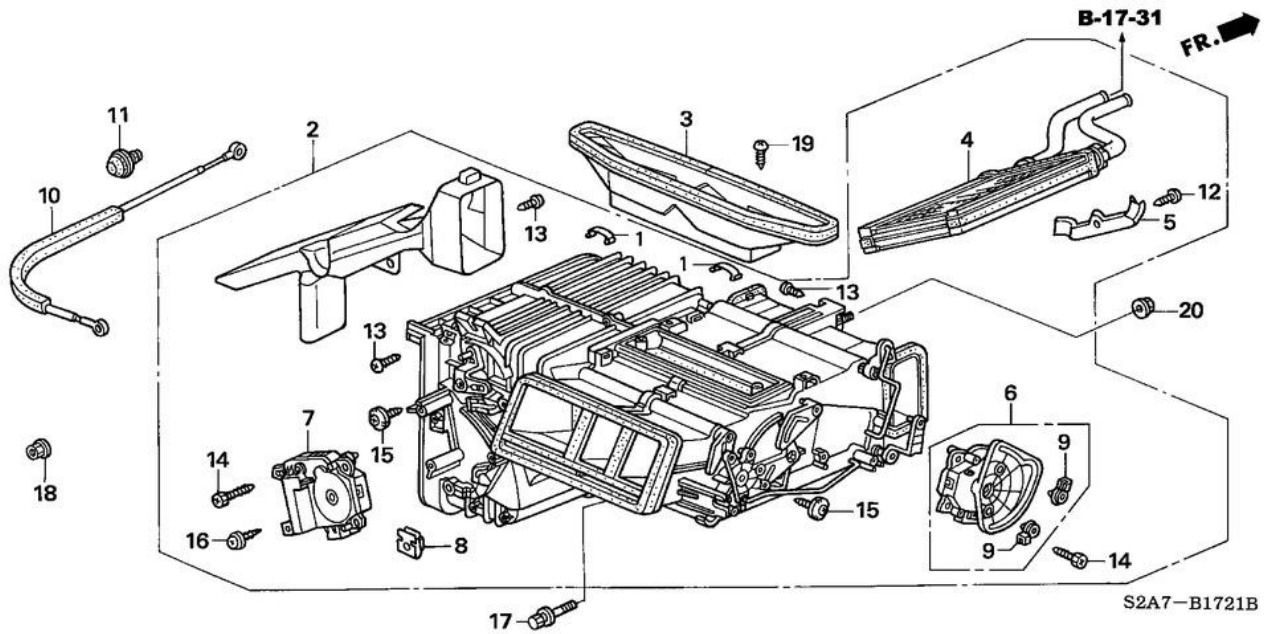
B-17-11 HEATER BLOWER (RH)



| Ref | Part No | Honda Part No | Description | Price (Each) | Req Qty |
|-----|----------------------------|---------------|---------------------------------|--------------|---------|
| 1 | PFKL800624 | 74221S2A003 | SHELTER, AIR CONDITIONER | £21.00 | 1 |
| 2 | PFKL863897 | 79305S2A003 | BLOWER SUB ASSY. | £0.00 | 1 |
| 3 | PFKL863991 | 79310S1AG01 | MOTOR ASSY., FAN | £325.59 | 1 |
| 4 | PFKL864091 | 79330S2A003 | TRANSISTOR ASSY. | £200.75 | 1 |
| 5 | PFKL864173 | 79350S2A003 | MOTOR ASSY., FRESH & RECIRCULAR | £0.00 | 1 |
| 6 | PFKL866129 | 79830S2A003 | FILTER ASSY., HEATER | £0.00 | 1 |
| 7 | PFKL866141 | 79831S2A003 | FILTER | £23.89 | 1 |
| 8 | PFKL873405 | 80204S2A003 | INSULATOR, LOWER | £0.00 | 1 |
| 9 | PFKL873440 | 80205S2A003 | INSULATOR, EVAPORATOR UPPER | £0.00 | 1 |
| 10 | PFKL873484 | 80206S2A003 | INSULATOR, EVAPORATOR LOWER | £0.00 | 1 |
| 11 | PFKL873939 | 80215S2A013 | EVAPORATOR COMP. | £0.00 | 1 |
| 12 | PFKL873996 | 80216S2A003 | PACKING A | £12.71 | 1 |
| 13 | PFKL874035 | 80217S2A003 | PACKING B | £0.00 | 1 |
| 15 | PFKL874073 | 80218S2A003 | PACKING C | £9.06 | 1 |
| 16 | PFKL874186 | 80220S2A013 | VALVE ASSY., EXPANSION | £204.85 | 1 |
| 17 | PFKL874318 | 80231S2A000 | COVER A, EXPANSION VALVE | £8.08 | 2 |
| 18 | PFKL874596 | 80272SF4000 | GROMMET, DRAIN HOSE | £8.35 | 1 |
| 19 | PFKL874615 | 80275S2A000 | HOSE, DRAIN | £0.00 | 1 |
| 20 | PFKL874695 | 80287S2A003 | SEAL, EVAPORATOR OUTER | £7.06 | 1 |
| 21 | PFKL878312 | 80560S2A003 | THERMISTOR, AIR CONDITIONER | £0.00 | 1 |
| 22 | PFKL878351 | 80566SW5003 | CLAMP, EVAPORATOR SENSOR | £6.19 | 2 |
| 23 | PFKL879099 | 80871ST7000 | O-RING (5/8") | £4.70 | 2 |
| 24 | PFKL983973 | 90121S2A003 | SCREW, TAPPING | £0.00 | 2 |
| 25 | PFKL984193 | 90122SR3003 | SCREW, TAPPING, 5X12 | £4.43 | 2 |
| 26 | PFKL984321 | 90123S2A003 | BOLT, SOCKET, 5X40 | £0.00 | 2 |
| 27 | PFKL984785 | 90127SX0003 | SCREW, TAPPING, 4X16 | £4.43 | 12 |
| 28 | PFKL985475 | 90133SR3003 | SCREW-WASHER, 4X16 | £3.60 | 1 |

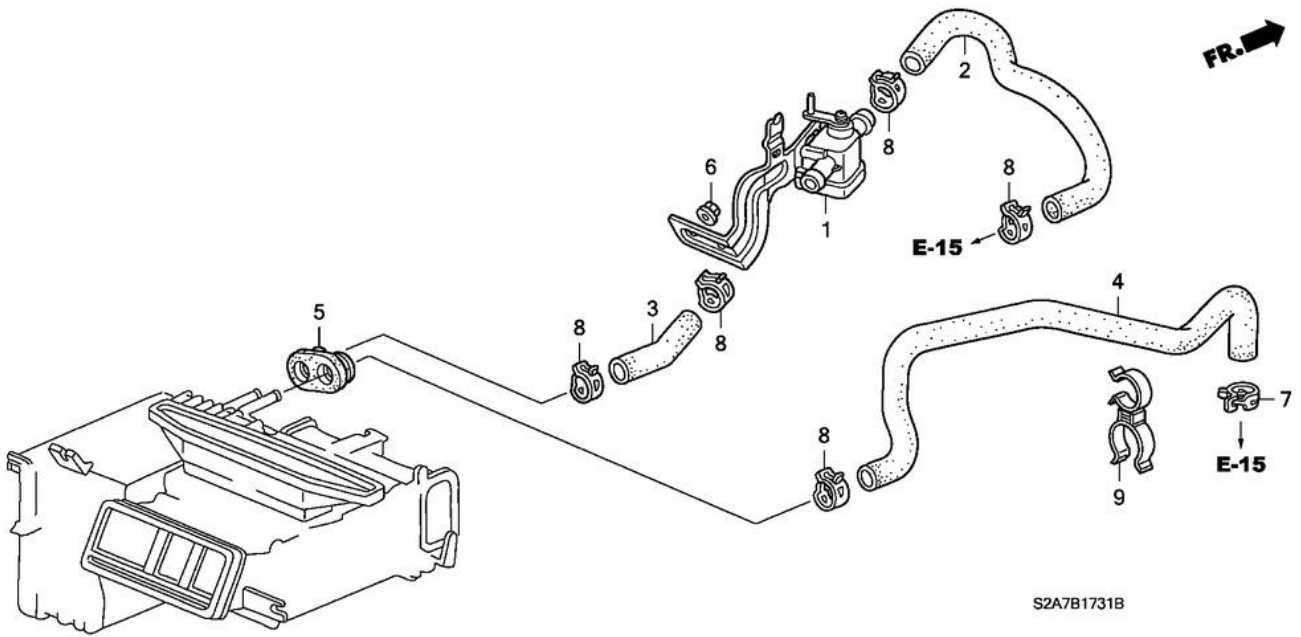
| | | | | | |
|----|-----------------------------|-------------|---------------------------------|---------|---|
| 29 | PFKL986676 | 90155SE0003 | SCREW, TAPPING, 6X20 | £4.19 | 1 |
| 30 | PFKL982187 | 90111SEA000 | BOLT-WASHER, 6X24 | £4.45 | 3 |
| 31 | PFKL1020713 | 9390435380 | SCREW, TAPPING, 5X16 | £1.03 | 3 |
| 32 | PFKL990527 | 90321SV4003 | NUT-WASHER, 6MM (PAINT CUTTING) | £5.83 | 2 |
| 34 | PFKL998354 | 90661S2A003 | CLIP, DRAIN HOSE | £4.46 | 1 |
| 35 | PFKL873943 | 80215S2A316 | EVAPORATOR KIT | £639.60 | 1 |

B-17-21 HEATER UNIT (RH)



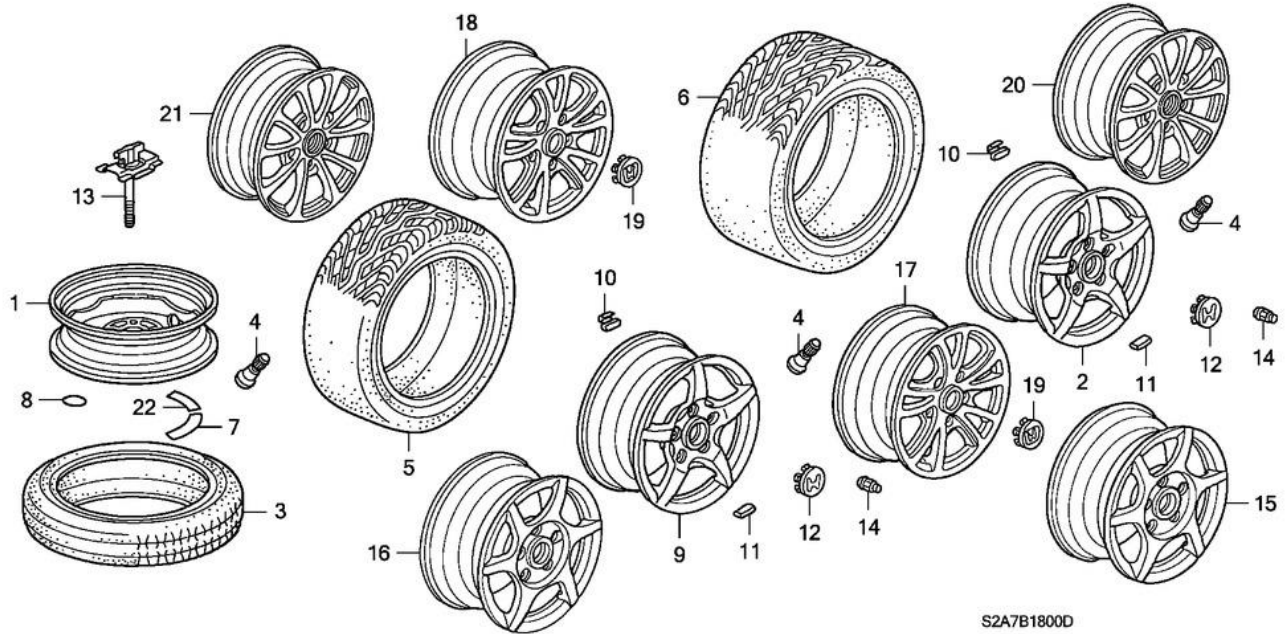
| Ref | Part No | Honda Part No | Description | Price (Each) | Req Qty |
|-----|-----------------------------|---------------|---------------------------------|--------------|---------|
| 1 | PFKL569427 | 39246671003 | CLAMP, CASE HOLD | £4.48 | 9 |
| 2 | PFKL863153 | 79100S2A013 | HEATER UNIT | £0.00 | 1 |
| 3 | PFKL863237 | 79105S2A003 | DEFROSTER, OUTLET | £0.00 | 1 |
| 4 | PFKL863404 | 79110S2A003 | CORE COMP., HEATER | £0.00 | 1 |
| 5 | PFKL863443 | 79116S2A003 | HOLDER | £0.00 | 1 |
| 6 | PFKL863527 | 79140S2A003 | MOTOR ASSY., MODE | £0.00 | 1 |
| 7 | PFKL863605 | 79160S2A003 | MOTOR ASSY., AIR MIX | £0.00 | 1 |
| 8 | PFKL863677 | 79191SZ3A01 | NUT, HOLDER | £0.00 | 1 |
| 9 | PFKL863702 | 79195SF1003 | HOLDER, ROD | £5.56 | 2 |
| 10 | PFKL864702 | 79544S2A010 | CABLE, WATER VALVE CONTROL | £0.00 | 1 |
| 11 | PFKL866042 | 79770SE0000 | GROMMET, WATER VALVE CABLE | £8.82 | 1 |
| 12 | PFKL984193 | 90122SR3003 | SCREW, TAPPING, 5X12 | £4.43 | 1 |
| 13 | PFKL984785 | 90127SX0003 | SCREW, TAPPING, 4X16 | £4.43 | 8 |
| 14 | PFKL984790 | 90127S84003 | SCREW, TAPPING, 4X16 | £2.59 | 5 |
| 15 | PFKL985475 | 90133SR3003 | SCREW-WASHER, 4X16 | £3.60 | 2 |
| 16 | PFKL985483 | 90133S2A003 | SCREW-WASHER, 4X16 | £0.00 | 1 |
| 17 | PFKL982187 | 90111SEA000 | BOLT-WASHER, 6X24 | £4.45 | 1 |
| 18 | PFKL990527 | 90321SV4003 | NUT-WASHER, 6MM (PAINT CUTTING) | £5.83 | 2 |
| 19 | PFKL1020200 | 9390124420 | SCREW, TAPPING, 4X16 | £1.44 | 2 |
| 20 | PFKL1021375 | 9407108080 | NUT-WASHER, 8MM | £1.87 | 1 |

B-17-31 WATER VALVE (RH)



| Ref | Part No | Honda Part No | Description | Price (Each) | Req Qty |
|-----|-----------------------------|---------------|-------------------------|--------------|---------|
| 1 | PFKL865622 | 79710S2A003 | VALVE ASSY., WATER | £0.00 | 1 |
| 2 | PFKL865758 | 79721S2A010 | HOSE A, WATER IN. | £35.16 | 1 |
| 3 | PFKL865826 | 79722S2A000 | HOSE B, WATER IN. | £11.30 | 1 |
| 4 | PFKL865948 | 79725S2A000 | HOSE, WATER OUTLET | £36.51 | 1 |
| 5 | PFKL865993 | 79731SH3000 | GROMMET, HEATER PIPE | £16.35 | 1 |
| 6 | PFKL990828 | 90361SV4003 | NUT, PAINT CUTTING, 6MM | £5.83 | 1 |
| 7 | PFKL2073488 | 90661TK8A01 | CLIP, WATER HOSE | £6.25 | 1 |
| 8 | PFKL407021 | 19513PE0003 | CLIP, WATER HOSE, 24MM | £5.31 | 5 |
| 9 | PFKL1012612 | 91541S2A003 | CLAMP, HEATER HOSE | £0.00 | 1 |

B-18 TIRE/WHEEL DISKS

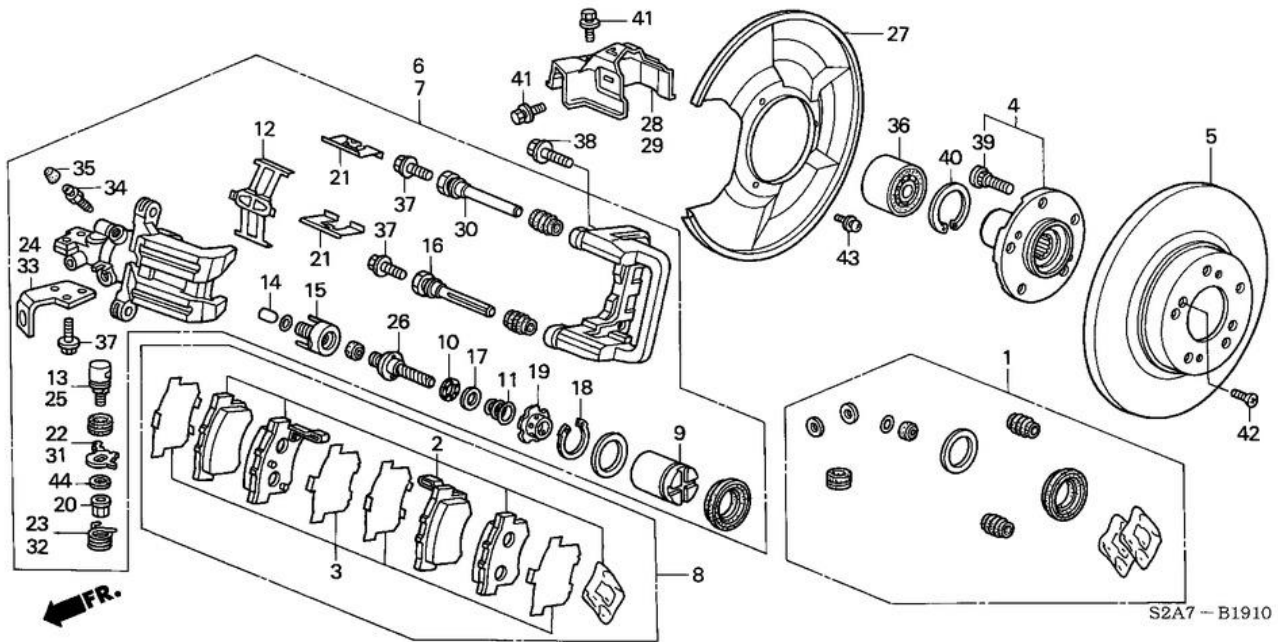


S2A7B1800D

| Ref | Part No | Honda Part No | Description | Price (Each) | Req Qty |
|-----|-----------------------------|---------------|--|--------------|---------|
| 1 | PFKL586059 | 42700S2AE02 | DISK, WHEEL (16X4T) (RING TECHS) | £97.75 | 1 |
| 3 | PFKL2072321 | 42751S2A904 | TIRE (T125/70D16 96M) (BRIDGESTONE) | £0.00 | 1 |
| 4 | PFKL589522 | 42753671003 | VALVE, RIM (US PACIFIC) | £25.66 | 5 |
| 5 | PFKL589557 | 42755S2AG33 | TIRE, FR. (215/45R17 87W) (BRIDGESTONE) | £0.00 | 2 |
| 6 | PFKL589628 | 42757S2AG53 | TIRE (245/40R17 91W) (BRIDGESTONE) | £0.00 | 2 |
| 7 | PFKL590195 | 42767SB0600 | PLATE, SPARE TIRE CAUTION (T-TYPE) (ENGLISH) | £2.14 | 1 |
| 8 | PFKL590200 | 42767SH3E00 | PLATE, SPARE TIRE CAUTION (T-TYPE) | £2.09 | 1 |
| 10 | PFKL606959 | 44727SEAJ02 | WEIGHT, BALANCE (15G) (YAMATE) | £4.63 | 0 |
| 10 | PFKL606906 | 44726SEAJ02 | WEIGHT, BALANCE (5G) (YAMATE) | £3.80 | 0 |
| 10 | PFKL606905 | 44726SEAJ01 | WEIGHT, BALANCE (5G) (TOHO) | £3.83 | 0 |
| 10 | PFKL607007 | 44728SEAJ01 | WEIGHT, BALANCE (25G) (TOHO) | £5.72 | 0 |
| 10 | PFKL607008 | 44728SEAJ02 | WEIGHT, BALANCE (25G) (YAMATE) | £5.76 | 0 |
| 10 | PFKL606795 | 44723SEAJ02 | WEIGHT, BALANCE (30G) (YAMATE) | £6.01 | 0 |
| 10 | PFKL606794 | 44723SEAJ01 | WEIGHT, BALANCE (30G) (TOHO) | £6.05 | 0 |
| 10 | PFKL607055 | 44729SEAJ01 | WEIGHT, BALANCE (35G) (TOHO) | £6.53 | 0 |
| 10 | PFKL607056 | 44729SEAJ02 | WEIGHT, BALANCE (35G) (YAMATE) | £6.62 | 0 |
| 10 | PFKL606743 | 44722SEAJ02 | WEIGHT, BALANCE (20G) (YAMATE) | £5.11 | 0 |
| 10 | PFKL606694 | 44721SEAJ02 | WEIGHT, BALANCE (10G) (YAMATE) | £4.43 | 0 |
| 10 | PFKL606693 | 44721SEAJ01 | WEIGHT, BALANCE (10G) (TOHO) | £4.43 | 0 |
| 10 | PFKL606958 | 44727SEAJ01 | WEIGHT, BALANCE (15G) (TOHO) | £4.77 | 0 |
| 10 | PFKL606742 | 44722SEAJ01 | WEIGHT, BALANCE (20G) (TOHO) | £5.26 | 0 |
| 11 | PFKL607009 | 44728SEAN01 | WEIGHT, BALANCE (25G) (TOHO) | £5.72 | 0 |
| 11 | PFKL607058 | 44729SEAN02 | WEIGHT, BALANCE (35G) (TOHO ZINC) | £5.87 | 0 |
| 11 | PFKL607010 | 44728SEAN02 | WEIGHT, BALANCE (25G) (TOHO ZINC) | £5.13 | 0 |
| 11 | PFKL606961 | 44727SEAN02 | WEIGHT, BALANCE (15G) (TOHO ZINC) | £4.77 | 0 |
| 11 | PFKL606960 | 44727SEAN01 | WEIGHT, BALANCE (15G) (TOHO) | £4.77 | 0 |
| 11 | PFKL607057 | 44729SEAN01 | WEIGHT, BALANCE (35G) (TOHO) | £6.53 | 0 |

| | | | | | |
|----|----------------------------|-------------|---|---------|----|
| 11 | PFKL607105 | 44730SEAN02 | WEIGHT, BALANCE (45G) (TOHO ZINC) | £6.79 | 0 |
| 11 | PFKL607104 | 44730SEAN01 | WEIGHT, BALANCE (45G) (TOHO) | £7.61 | 0 |
| 11 | PFKL606908 | 44726SEAN02 | WEIGHT, BALANCE (5G) (TOHO ZINC) | £3.62 | 0 |
| 11 | PFKL606695 | 44721SEAN01 | WEIGHT, BALANCE (10G) (TOHO) | £4.43 | 0 |
| 11 | PFKL606696 | 44721SEAN02 | WEIGHT, BALANCE (10G) (TOHO ZINC) | £4.43 | 0 |
| 11 | PFKL606744 | 44722SEAN01 | WEIGHT, BALANCE (20G) (TOHO) | £5.26 | 0 |
| 11 | PFKL606745 | 44722SEAN02 | WEIGHT, BALANCE (20G) (TOHO ZINC) | £5.26 | 0 |
| 11 | PFKL606796 | 44723SEAN01 | WEIGHT, BALANCE (30G) (TOHO) | £6.05 | 0 |
| 11 | PFKL606797 | 44723SEAN02 | WEIGHT, BALANCE (30G) (TOHO ZINC) | £5.42 | 0 |
| 11 | PFKL606845 | 44724SEAN01 | WEIGHT, BALANCE (40G) (TOHO) | £6.88 | 0 |
| 11 | PFKL606846 | 44724SEAN02 | WEIGHT, BALANCE (40G) (TOHO ZINC) | £6.03 | 0 |
| 11 | PFKL606879 | 44725SEAN01 | WEIGHT, BALANCE (50G) (TOHO) | £7.61 | 0 |
| 11 | PFKL606880 | 44725SEAN02 | WEIGHT, BALANCE (50G) (TOHO ZINC) | £3.01 | 0 |
| 11 | PFKL606907 | 44726SEAN01 | WEIGHT, BALANCE (5G) (TOHO) | £3.83 | 0 |
| 13 | PFKL802515 | 74654S2A000 | BOLT, ANCHOR | £17.07 | 1 |
| 14 | PFKL989587 | 90304SA5013 | NUT, WHEEL (CHROME PLATED) (FUUSE RASHI) | £7.69 | 20 |
| 19 | PFKL607371 | 44732S2A921 | CAP ASSY., ALUMINIUM WHEEL CENTER | £50.29 | 4 |
| 20 | PFKL586056 | 42700S2AA81 | DISK, RR. ALUMINIUM WHEEL (17X8 1/2J) (ENKEI) | £410.78 | 2 |
| 21 | PFKL604979 | 44700S2AA81 | DISK, FR. ALUMINIUM WHEEL (17X7J) (ENKEI) | £394.12 | 2 |

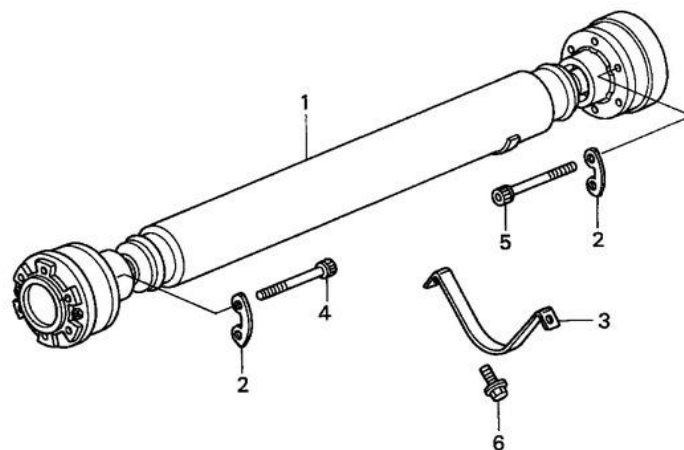
B-19-10 REAR BRAKE



| Ref | Part No | Honda Part No | Description | Price (Each) | Req Qty |
|-----|-----------------------------|---------------|---------------------------------|--------------|---------|
| 1 | PFKL213423 | 01473S2A000 | CALIPER SET, RR. | £68.99 | 2 |
| 2 | PFKL231108 | 06430S2AE50 | PAD SET, RR. (WITHOUT SHIM) | £56.88 | 1 |
| 3 | PFKL231320 | 06435S2A000 | SHIM SET, RR. | £17.87 | 1 |
| 4 | PFKL581138 | 42210S2A000 | HUB ASSY., RR. | £232.49 | 2 |
| 5 | PFKL582653 | 42510S2A000 | DISK, RR. BRAKE (16") | £73.24 | 2 |
| 6 | PFKL590909 | 43018S2A013 | CALIPER SUB ASSY., R. RR. | £228.45 | 1 |
| 7 | PFKL590955 | 43019S2A013 | CALIPER SUB ASSY., L. RR. | £228.45 | 1 |
| 8 | PFKL591176 | 43022S2AE50 | PAD SET, RR. (13CLP-15S,NF71GG) | £56.88 | 1 |
| 9 | PFKL593942 | 43215S2A003 | PISTON ASSY. | £61.54 | 2 |
| 10 | PFKL593962 | 43223SD2932 | BEARING A | £14.55 | 2 |
| 11 | PFKL593963 | 43224SD2931 | SPRING B, ADJUSTING | £6.89 | 2 |
| 12 | PFKL593989 | 43227SG0013 | SPRING, PAD | £13.42 | 2 |
| 13 | PFKL593996 | 43228SD2933 | SHAFT A | £27.63 | 1 |
| 14 | PFKL594000 | 43229SD2931 | ROD | £7.15 | 2 |
| 15 | PFKL2109405 | 43233TR0A01 | PISTON COMP., SLEEVE | £15.25 | 2 |
| 16 | PFKL594170 | 43235S84A51 | PIN A | £18.88 | 2 |
| 17 | PFKL594175 | 43236S04003 | SPACER | £5.62 | 2 |
| 18 | PFKL594187 | 43238S2A003 | RING, RETAINING | £7.97 | 2 |
| 19 | PFKL594204 | 43241S2A003 | SPRING, GUIDE | £0.00 | 2 |
| 20 | PFKL594216 | 43243SD2931 | NUT, PARKING | £5.44 | 2 |
| 21 | PFKL594225 | 43244S23A01 | RETAINER | £8.10 | 4 |
| 22 | PFKL594246 | 43245S2A003 | LEVER, R. | £14.79 | 1 |
| 23 | PFKL594260 | 43246S2A003 | SPRING, R. RETURN | £11.40 | 1 |
| 24 | PFKL594284 | 43247S2A003 | ARM, R. | £22.17 | 1 |
| 25 | PFKL594294 | 43248SD2933 | SHAFT B | £25.91 | 1 |
| 26 | PFKL594303 | 43249S04003 | BOLT, ADJUSTER | £13.00 | 2 |
| 27 | PFKL594544 | 43253S2A000 | GUARD, RR. SPLASH | £67.01 | 2 |

| | | | | | |
|----|-----------------------------|--------------|--------------------------------|---------|----|
| 28 | PFKL594665 | 43255S2A000 | PROTECTOR, R. RR. CALIPER | £37.79 | 1 |
| 29 | PFKL594704 | 43256S2A000 | PROTECTOR, L. RR. CALIPER | £37.79 | 1 |
| 30 | PFKL594716 | 43262S84A51 | PIN B | £18.93 | 2 |
| 31 | PFKL594735 | 43265S2A003 | LEVER, L. | £0.00 | 1 |
| 32 | PFKL594747 | 43266S2A003 | SPRING, L. RETURN | £11.40 | 1 |
| 33 | PFKL594770 | 43267S2A003 | ARM, L. | £0.00 | 1 |
| 34 | PFKL595713 | 43352SM4951 | SCREW, BLEEDER | £7.38 | 2 |
| 35 | PFKL595731 | 43353SD5003 | CAP, BLEEDER SCREW | £5.72 | 2 |
| 36 | PFKL2314939 | 44300S47305 | BEARING ASSY., HUB (NTN) | £106.87 | 2 |
| 37 | PFKL616321 | 45240SC2003 | BOLT, FLANGE, 8X22 | £8.03 | 8 |
| 38 | PFKL980135 | 90103SV4013 | BOLT, FLANGE, 10X30 | £8.06 | 4 |
| 39 | PFKL982626 | 90113S5H005 | BOLT, WHEEL (SAGA) | £7.06 | 10 |
| 39 | PFKL982626 | 90113S5H005 | BOLT, WHEEL (NAGOYA RASHI) | £7.06 | 10 |
| 39 | PFKL982626 | 90113S5H005 | BOLT, WHEEL (ROCKNEL FASTENER) | £7.06 | 10 |
| 40 | PFKL999666 | 90681SG0000 | CIRCLIP, INTERNAL, 84MM | £16.21 | 2 |
| 41 | PFKL1017293 | 934030601208 | BOLT-WASHER, 6X12 | £2.14 | 4 |
| 42 | PFKL1019085 | 93600060140H | SCREW, FLAT, 6X14 | £3.31 | 4 |
| 43 | PFKL1019765 | 938920501208 | SCREW-WASHER, 5X12 | £1.51 | 6 |
| 44 | PFKL1021552 | 9411110800 | WASHER, SPRING, 10MM | £1.85 | 2 |

B-20 PROPELLER SHAFT

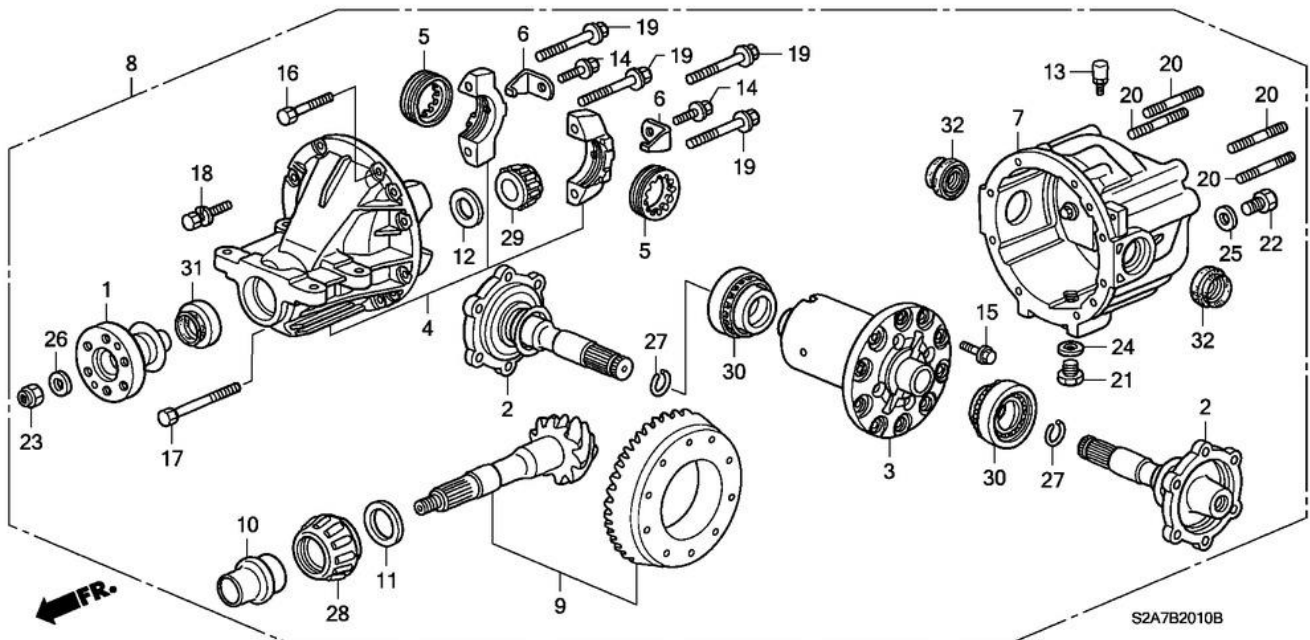


←FR.

S2A7 – B2000

| Ref | Part No | Honda Part No | Description | Price (Each) | Req Qty |
|-----|-----------------------------|---------------|------------------------|--------------|---------|
| 1 | PFKL572596 | 40100S2A024 | SHAFT ASSY., PROPELLER | £2,624.75 | 1 |
| 2 | PFKL572721 | 40140S2A008 | WASHER | £4.81 | 6 |
| 3 | PFKL575638 | 40540S2A000 | PROTECTOR, SHAFT | £16.10 | 1 |
| 4 | PFKL987862 | 90182S2A000 | BOLT, SOCKET, 8X60 | £6.75 | 6 |
| 5 | PFKL987895 | 90183S2A000 | BOLT, SOCKET, 8X65 | £6.75 | 6 |
| 6 | PFKL1028436 | 957010801408 | BOLT, FLANGE, 8X14 | £2.14 | 2 |

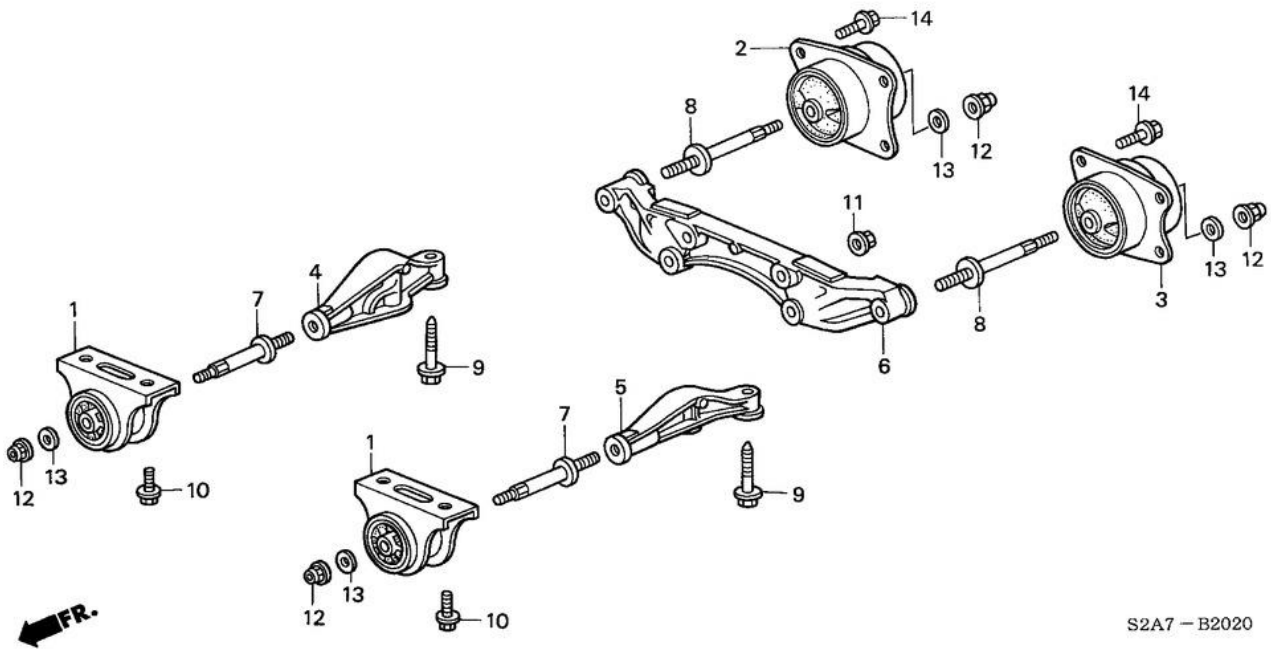
B-20-10 REAR DIFFERENTIAL



| Ref | Part No | Honda Part No | Description | Price (Each) | Req Qty |
|-----|----------------------------|---------------|---------------------------------|--------------|---------|
| 1 | PFKL573366 | 40440PCZ013 | FLANGE ASSY., COMPANION | £201.48 | 1 |
| 2 | PFKL573373 | 40443PCZ013 | SHAFT ASSY., OUTPUT | £206.71 | 2 |
| 3 | PFKL576195 | 41100PCZ003 | DIFFERENTIAL ASSY. | £1,635.22 | 1 |
| 4 | PFKL576695 | 41120PCZ023 | CARRIER ASSY., DIFFERENTIAL | £0.00 | 1 |
| 5 | PFKL576746 | 41131PCZ003 | SCREW, ADJUST | £15.67 | 2 |
| 6 | PFKL576823 | 41141PCZ003 | PLATE, LOCK | £2.03 | 2 |
| 7 | PFKL576934 | 41170PCZ003 | CASE ASSY., DIFFERENTIAL | £0.00 | 1 |
| 8 | PFKL577201 | 41200PCZ023 | CARRIER ASSY., RR. DIFFERENTIAL | £6,166.58 | 1 |
| 9 | PFKL578192 | 41220PCZ023 | GEAR SET, FINAL | £1,023.75 | 1 |
| 10 | PFKL578683 | 41271PCZ003 | PIECE, DISTANCE | £43.27 | 1 |
| 11 | PFKL579347 | 41375PCZ003 | SPACER (3.095MM) | £24.19 | 1 |
| 11 | PFKL579352 | 41376PCZ003 | SPACER (3.125MM) | £24.19 | 1 |
| 11 | PFKL579355 | 41377PCZ003 | SPACER (3.155MM) | £24.19 | 1 |
| 11 | PFKL579360 | 41378PCZ003 | SPACER (3.185MM) | £24.19 | 1 |
| 11 | PFKL579363 | 41379PCZ003 | SPACER (3.215MM) | £24.19 | 1 |
| 11 | PFKL579367 | 41380PCZ003 | SPACER (3.245MM) | £24.19 | 1 |
| 11 | PFKL579375 | 41381PCZ003 | SPACER (3.275MM) | £24.19 | 1 |
| 11 | PFKL579395 | 41382PCZ003 | SPACER (3.305MM) | £24.19 | 1 |
| 11 | PFKL579414 | 41383PCZ003 | SPACER (3.335MM) | £24.19 | 1 |
| 11 | PFKL579425 | 41384PCZ003 | SPACER (3.365MM) | £24.19 | 1 |
| 11 | PFKL579436 | 41385PCZ003 | SPACER (3.395MM) | £24.19 | 1 |
| 11 | PFKL579447 | 41386PCZ003 | SPACER (3.425MM) | £24.19 | 1 |
| 11 | PFKL579457 | 41387PCZ003 | SPACER (3.455MM) | £24.19 | 1 |
| 11 | PFKL579341 | 41374PCZ003 | SPACER (3.47MM) | £24.19 | 1 |
| 11 | PFKL579335 | 41373PCZ003 | SPACER (3.44MM) | £24.19 | 1 |
| 11 | PFKL579283 | 41360PCZ003 | SPACER SET (27 PIECES) | £626.82 | 1 |
| 11 | PFKL579284 | 41361PCZ003 | SPACER (3.08MM) | £24.19 | 1 |

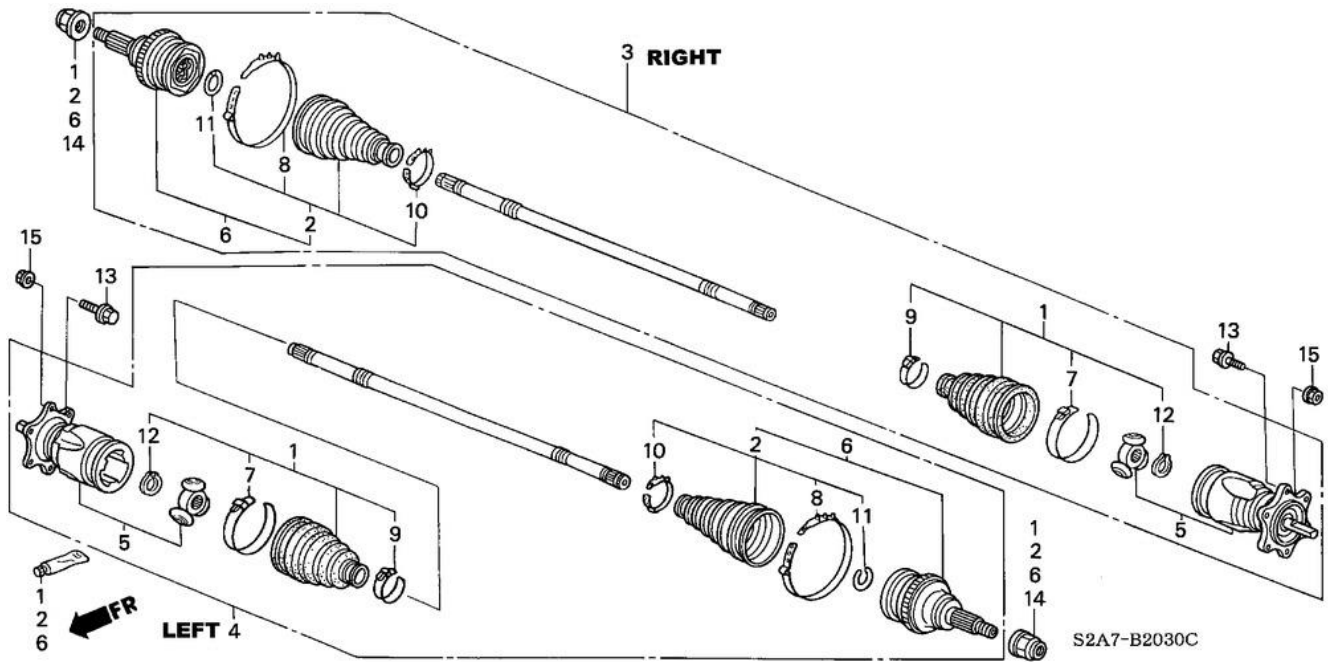
| | | | | | |
|----|-----------------------------|-------------|-----------------|---------|----|
| 11 | PFKL579288 | 41362PCZ003 | SPACER (3.11MM) | £24.19 | 1 |
| 11 | PFKL579293 | 41363PCZ003 | SPACER (3.14MM) | £24.19 | 1 |
| 11 | PFKL579297 | 41364PCZ003 | SPACER (3.17MM) | £24.19 | 1 |
| 11 | PFKL579300 | 41365PCZ003 | SPACER (3.20MM) | £24.19 | 1 |
| 11 | PFKL579304 | 41366PCZ003 | SPACER (3.23MM) | £24.19 | 1 |
| 11 | PFKL579307 | 41367PCZ003 | SPACER (3.26MM) | £24.19 | 1 |
| 11 | PFKL579310 | 41368PCZ003 | SPACER (3.29MM) | £24.19 | 1 |
| 11 | PFKL579313 | 41369PCZ003 | SPACER (3.32MM) | £24.19 | 1 |
| 11 | PFKL579316 | 41370PCZ003 | SPACER (3.35MM) | £24.19 | 1 |
| 11 | PFKL579319 | 41371PCZ003 | SPACER (3.38MM) | £24.19 | 1 |
| 11 | PFKL579327 | 41372PCZ003 | SPACER (3.41MM) | £24.19 | 1 |
| 12 | PFKL580211 | 41461PCZ003 | SPACER | £35.82 | 1 |
| 13 | PFKL580630 | 41935PCZ003 | BREATHER ASSY. | £10.81 | 1 |
| 14 | PFKL973943 | 90001PCZ003 | BOLT | £3.74 | 2 |
| 15 | PFKL974228 | 90002PCZ003 | BOLT | £9.97 | 10 |
| 16 | PFKL974425 | 90003PCZ003 | BOLT | £11.48 | 1 |
| 17 | PFKL974617 | 90004PCZ003 | BOLT | £15.47 | 1 |
| 18 | PFKL974777 | 90005PCZ003 | BOLT-WASHER | £1.96 | 8 |
| 19 | PFKL974908 | 90006PCZ003 | BOLT | £0.00 | 4 |
| 20 | PFKL975458 | 90011PCZ003 | BOLT, STUD | £9.11 | 4 |
| 21 | PFKL978489 | 90081PCZ003 | PLUG, MAGNETIC | £18.44 | 1 |
| 22 | PFKL978574 | 90082PCZ003 | PLUG | £6.79 | 1 |
| 23 | PFKL988235 | 90201PCZ003 | NUT, LOCK | £10.86 | 1 |
| 24 | PFKL991172 | 90401PCZ003 | PACKING | £2.33 | 1 |
| 25 | PFKL991327 | 90402PCZ003 | PACKING | £3.89 | 1 |
| 26 | PFKL991443 | 90403PCZ003 | WASHER, PINION | £8.47 | 1 |
| 27 | PFKL996668 | 90601PCZ003 | CIRCLIP | £2.39 | 2 |
| 28 | PFKL1001636 | 91001PCZ003 | BEARING ASSY. | £122.99 | 1 |
| 29 | PFKL1001933 | 91002PCZ003 | BEARING ASSY. | £98.81 | 1 |
| 30 | PFKL1002144 | 91003PCZ003 | BEARING ASSY. | £109.97 | 2 |
| 31 | PFKL1005682 | 91201PCZ003 | OIL SEAL | £25.38 | 1 |
| 32 | PFKL1006036 | 91202PCZ003 | OIL SEAL | £17.39 | 2 |

B-20-20 REAR DIFFERENTIAL MOUNT

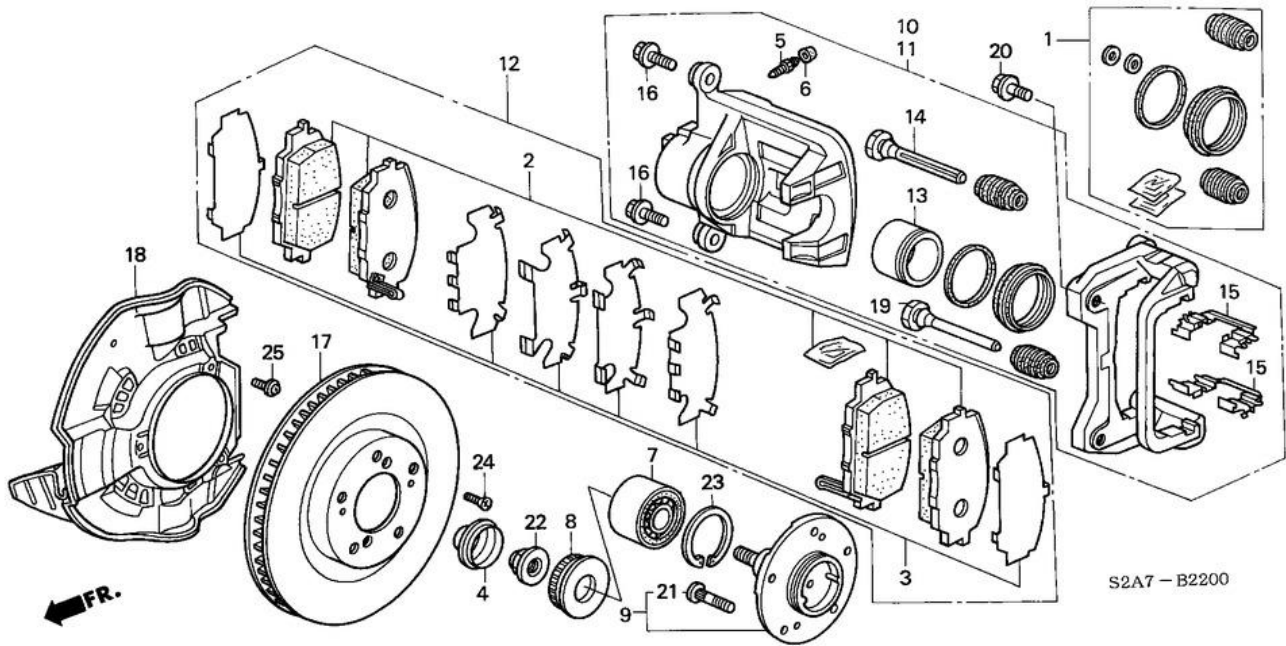


| Ref | Part No | Honda Part No | Description | Price (Each) | Req Qty |
|-----|-----------------------------|---------------|--|--------------|---------|
| 1 | PFKL645096 | 50710S2A000 | MOUNTING COMP. A, RR. DIFFERENTIAL | £84.62 | 2 |
| 2 | PFKL645854 | 50730S2A023 | RUBBER ASSY., R. DIFFERENTIAL MOUNTING | £180.52 | 1 |
| 2 | PFKL645854 | 50730S2A023 | RUBBER ASSY., R. DIFFERENTIAL MOUNTING | £180.52 | 1 |
| 3 | PFKL645923 | 50740S2A023 | RUBBER ASSY., L. DIFFERENTIAL MOUNTING | £180.52 | 1 |
| 3 | PFKL645923 | 50740S2A023 | RUBBER ASSY., L. DIFFERENTIAL MOUNTING | £180.52 | 1 |
| 4 | PFKL646016 | 50750S2A000 | BRACKET, R. RR. DIFFERENTIAL MOUNTING | £69.43 | 1 |
| 5 | PFKL646086 | 50760S2A000 | BRACKET, L. RR. DIFFERENTIAL MOUNTING | £69.43 | 1 |
| 6 | PFKL646096 | 50770S2A000 | BRACKET B, RR. DIFFERENTIAL MOUNTING | £111.06 | 1 |
| 7 | PFKL985287 | 90131S2A000 | BOLT A, DIFFERENTIAL MOUNTING | £26.84 | 2 |
| 8 | PFKL985482 | 90133S2A000 | BOLT B, DIFFERENTIAL MOUNTING | £29.03 | 2 |
| 9 | PFKL987317 | 90165S2A000 | BOLT, FLANGE, 12X55 | £7.10 | 4 |
| 10 | PFKL987367 | 90166SR3000 | BOLT, FLANGE, 10X30 | £4.46 | 4 |
| 11 | PFKL990928 | 90371S2A000 | NUT, FLANGE, 12MM | £4.45 | 4 |
| 12 | PFKL990940 | 90372SR3003 | NUT, FLANGE, 12MM | £4.12 | 4 |
| 13 | PFKL994796 | 90504SR3010 | WASHER, FR. STOPPER | £7.42 | 4 |
| 14 | PFKL1028600 | 957011001608 | BOLT, FLANGE, 10X16 | £2.09 | 8 |

B-20-30 REAR DRIVESHAFT



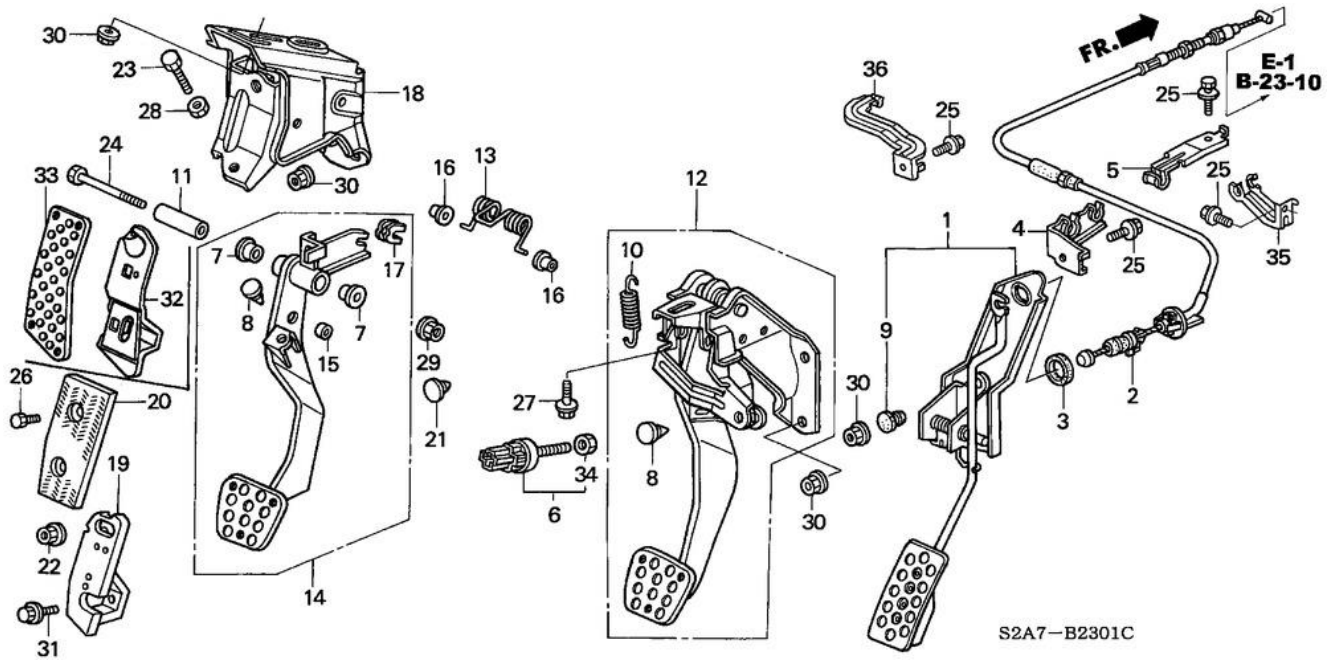
| Ref | Part No | Honda Part No | Description | Price (Each) | Req Qty |
|-----|-----------------------------|---------------|---------------------------------------|--------------|---------|
| 1 | PFKL580715 | 42017S2A010 | BOOT SET, INBOARD | £67.31 | 2 |
| 2 | PFKL580732 | 42018S2A020 | BOOT SET, OUTBOARD | £67.31 | 2 |
| 3 | PFKL581748 | 42310S2A951 | DRIVESHAFT ASSY., R. | £1,296.79 | 1 |
| 4 | PFKL581950 | 42311S2A951 | DRIVESHAFT ASSY., L. | £1,209.40 | 1 |
| 5 | PFKL582295 | 42320S2A310 | JOINT COMP., INBOARD | £279.00 | 2 |
| 6 | PFKL2017003 | 44014S2A953 | JOINT SET, OUTBOARD | £234.72 | 2 |
| 7 | PFKL602310 | 44327SV4305 | BAND, JOINT BOOT (DOUBLE ROLLED BAND) | £15.06 | 2 |
| 8 | PFKL602312 | 44327SX0C02 | BAND, OUTBOARD BOOT (NIPPON HATSUJO) | £21.36 | 2 |
| 9 | PFKL602357 | 44329SV4305 | BAND, SHAFT BOOT (DOUBLE ROLLED BAND) | £12.38 | 2 |
| 10 | PFKL602367 | 44329S2AN01 | BAND C | £13.06 | 2 |
| 11 | PFKL602453 | 44337SB0300 | RING B, STOPPER | £5.26 | 2 |
| 12 | PFKL602471 | 44338SB0300 | CIRCLIP, 26MM | £4.19 | 2 |
| 13 | PFKL987828 | 90181S2A000 | BOLT, FLANGE, 10X26 | £7.61 | 12 |
| 14 | PFKL989810 | 90305SD4003 | NUT, SPINDLE (24MM) | £6.89 | 2 |
| 15 | PFKL974285 | 90002S10000 | NUT, FLANGE, 10MM | £2.00 | 12 |



| Ref | Part No | Honda Part No | Description | Price (Each) | Req Qty |
|-----|-----------------------------|---------------|--------------------------------|--------------|---------|
| 1 | PFKL212902 | 01463S2A000 | CALIPER SET | £67.02 | 2 |
| 2 | PFKL231460 | 06450S2AE50 | PAD SET, FR. (WITHOUT SHIM) | £0.00 | 1 |
| 3 | PFKL231795 | 06455S2A000 | SHIM SET, FR. | £17.72 | 1 |
| 4 | PFKL582356 | 42326SLJ000 | CAP, HUB UNIT | £8.99 | 2 |
| 4 | PFKL582356 | 42326SLJ000 | CAP, HUB UNIT | £8.99 | 2 |
| 5 | PFKL595713 | 43352SM4951 | SCREW, BLEEDER | £7.38 | 2 |
| 6 | PFKL595731 | 43353SD5003 | CAP, BLEEDER SCREW | £5.72 | 2 |
| 7 | PFKL2314939 | 44300S47305 | BEARING ASSY., HUB (NTN) | £106.87 | 2 |
| 8 | PFKL602535 | 44350S2A000 | PULSER ASSY., FR. | £69.35 | 2 |
| 9 | PFKL603187 | 44600S2A000 | HUB ASSY., FR. | £185.36 | 2 |
| 10 | PFKL609523 | 45018S2A003 | CALIPER SUB ASSY., R. FR. | £296.70 | 1 |
| 11 | PFKL609582 | 45019S2A003 | CALIPER SUB ASSY., L. FR. | £296.70 | 1 |
| 12 | PFKL2336008 | 45022S2AE51 | PAD SET, FR. (16CL-16VN,J632) | £67.61 | 1 |
| 13 | PFKL615595 | 45216SR3V01 | PISTON (54MM) | £78.36 | 2 |
| 14 | PFKL616235 | 45235S0A003 | PIN A | £13.09 | 2 |
| 15 | PFKL616292 | 45237S2A003 | RETAINER | £14.00 | 4 |
| 16 | PFKL616320 | 45240SA7003 | BOLT, FLANGE, 8X22 | £8.01 | 4 |
| 17 | PFKL616727 | 45251S2A000 | DISK, FR. BRAKE (16") | £81.70 | 2 |
| 18 | PFKL616893 | 45255S2A010 | GUARD, FR. SPLASH | £65.03 | 2 |
| 19 | PFKL616980 | 45262S0A003 | PIN B | £13.09 | 2 |
| 20 | PFKL981346 | 90107SM4000 | BOLT, CALIPER MOUNTING (12X21) | £5.44 | 4 |
| 21 | PFKL982626 | 90113S5H005 | BOLT, WHEEL (ROCKNEL FASTENER) | £7.06 | 10 |
| 21 | PFKL982626 | 90113S5H005 | BOLT, WHEEL (NAGOYA RASHI) | £7.06 | 10 |
| 21 | PFKL982626 | 90113S5H005 | BOLT, WHEEL (SAGA) | £7.06 | 10 |
| 22 | PFKL989833 | 90305S2A003 | NUT, SPINDLE | £13.16 | 2 |
| 23 | PFKL999666 | 90681SG0000 | CIRCLIP, INTERNAL, 84MM | £16.21 | 2 |
| 24 | PFKL1019085 | 93600060140H | SCREW, FLAT, 6X14 | £3.31 | 4 |

| | | | | | |
|----|-----------------------------|--------------|--------------------|-------|---|
| 25 | PFKL1019765 | 938920501208 | SCREW-WASHER, 5X12 | £1.51 | 6 |
|----|-----------------------------|--------------|--------------------|-------|---|

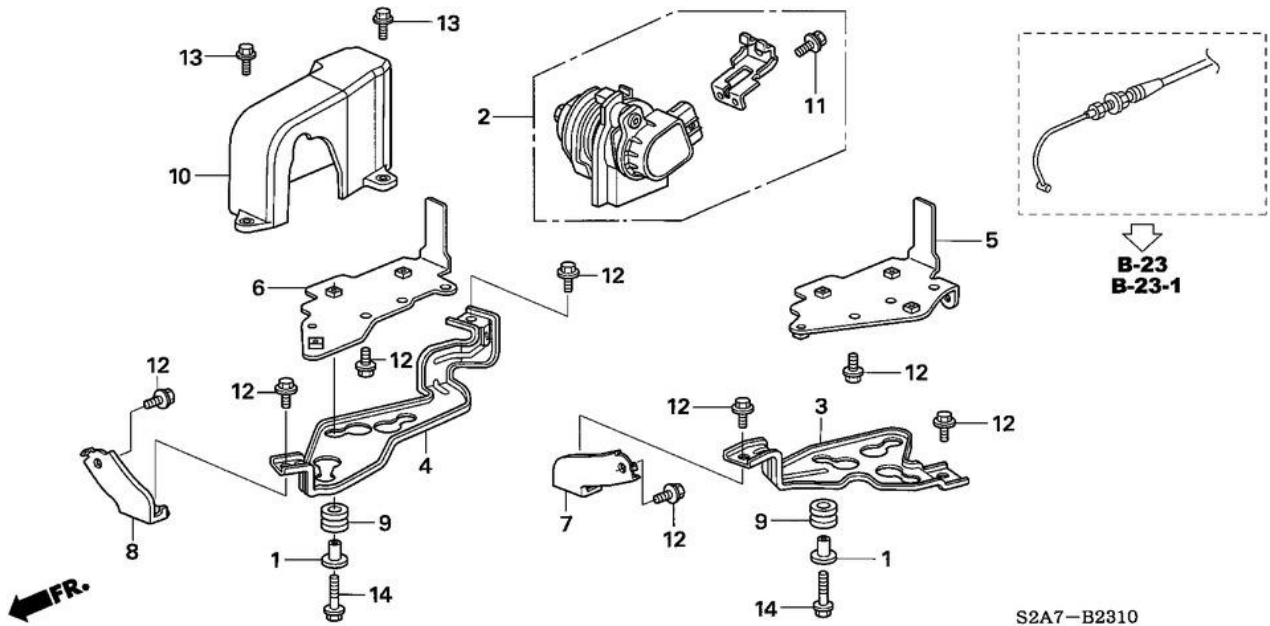
B-23-1 PEDAL (RH)



| Ref | Part No | Honda Part No | Description | Price (Each) | Req Qty |
|-----|-----------------------------|---------------|----------------------------|--------------|---------|
| 1 | PFKL375365 | 17800S2A033 | PEDAL ASSY., ACCELERATOR | £0.00 | 1 |
| 2 | PFKL377366 | 17910S2AJ52 | WIRE, THROTTLE | £53.64 | 1 |
| 3 | PFKL378743 | 17921SA4730 | SEAL, THROTTLE CABLE | £8.23 | 1 |
| 4 | PFKL378840 | 17928S2A000 | STAY, THROTTLE WIRE | £0.00 | 1 |
| 6 | PFKL532349 | 35350S2A003 | SWITCH ASSY., STOP | £30.62 | 1 |
| 7 | PFKL625801 | 46504ST5300 | BUSH, PEDAL | £6.17 | 2 |
| 8 | PFKL625823 | 46505SA5000 | PAD, PEDAL STOPPER | £3.87 | 2 |
| 9 | PFKL625825 | 46505SA7000 | PAD, PEDAL STOPPER | £5.71 | 1 |
| 10 | PFKL626534 | 46530S2A003 | SPRING ASSY., PEDAL RETURN | £8.28 | 1 |
| 11 | PFKL626577 | 46535SM4000 | COLLAR, PEDAL | £86.98 | 1 |
| 12 | PFKL626894 | 46600S2AJ02 | PEDAL ASSY., BRAKE | £0.00 | 1 |
| 13 | PFKL627277 | 46907S2A003 | SPRING, CLUTCH RETURN | £0.00 | 1 |
| 14 | PFKL2159626 | 46910S2A023 | PEDAL COMP., CLUTCH | £0.00 | 1 |
| 15 | PFKL627349 | 46911SD4930 | BUSH, PEDAL PIN | £7.16 | 1 |
| 16 | PFKL628262 | 46981S2A003 | BUSH A, CLUTCH ASSISTANT | £6.87 | 2 |
| 17 | PFKL628272 | 46982S2A003 | BUSH B, ASSISTANT | £7.42 | 1 |
| 18 | PFKL628298 | 46990S2A003 | BRACKET, CLUTCH PEDAL | £56.07 | 1 |
| 21 | PFKL818862 | 75891611000 | COVER, DOOR SWITCH | £8.48 | 1 |
| 22 | PFKL989126 | 90301SV7000 | NUT, PAINT CUTTING, 6MM | £6.95 | 1 |
| 23 | PFKL1016224 | 92201100300H | BOLT, HEX., 10X30 | £2.06 | 1 |
| 24 | PFKL1016235 | 92201100700J | BOLT, HEX., 10X70 | £2.09 | 1 |
| 25 | PFKL1017293 | 934030601208 | BOLT-WASHER, 6X12 | £2.14 | 3 |
| 27 | PFKL1017532 | 934060801608 | BOLT-WASHER, 8X16 | £1.85 | 1 |
| 28 | PFKL1021082 | 94002100000S | NUT, HEX., 10MM | £1.87 | 1 |
| 29 | PFKL1021350 | 9405010080 | NUT, FLANGE, 10MM | £2.09 | 1 |
| 30 | PFKL1021366 | 9407008080 | NUT-WASHER, 8MM | £1.87 | 9 |
| 31 | PFKL1028241 | 957010601008 | BOLT, FLANGE, 6X10 | £1.87 | 1 |

| | | | | | |
|----|----------------------------|-------------|-------------------------|---------|---|
| 32 | PFKL628373 | 46991S2A010 | BRACKET COMP., FOOTREST | £0.00 | 1 |
| 33 | PFKL628410 | 46992S2A010 | PLATE, FOOTREST BRACKET | £118.79 | 1 |
| 35 | PFKL378933 | 17931S2A010 | CLAMP, THROTTLE WIRE | £0.00 | 1 |
| 36 | PFKL378985 | 17932S2A000 | CLAMP, THROTTLE WIRE | £0.00 | 1 |

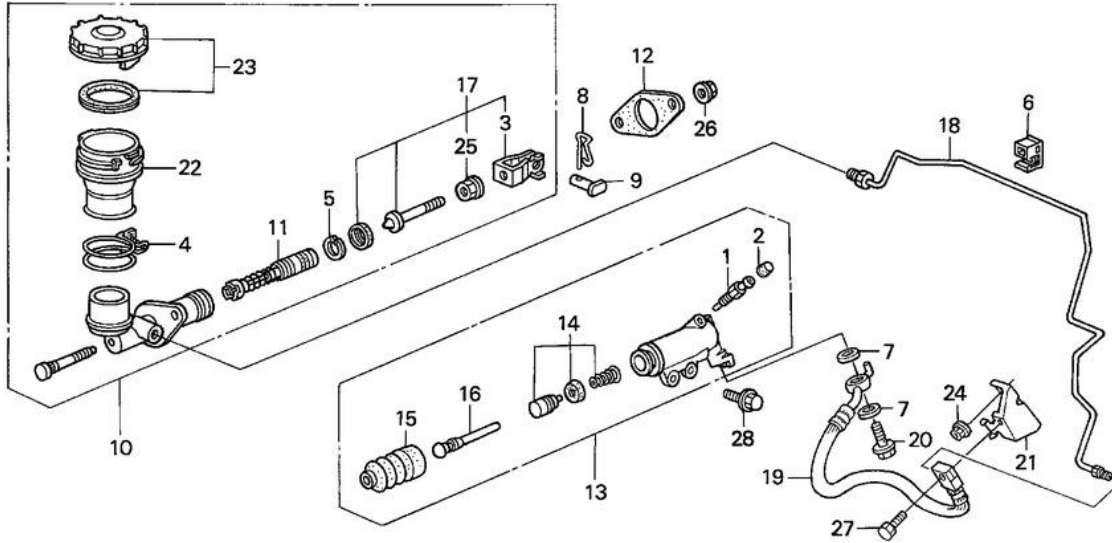
B-23-10 ACCELERATOR SENSOR



S2A7-B2310

| Ref | Part No | Honda Part No | Description | Price (Each) | Req Qty |
|-----|-----------------------------|---------------|---------------------------------------|--------------|---------|
| 1 | PFKL540400 | 36641PY3000 | COLLAR, ACTUATOR MOUNT | £0.00 | 3 |
| 2 | PFKL554776 | 37971PZX003 | SENSOR ASSY., ACCELERATOR PEDAL | £178.01 | 1 |
| 4 | PFKL554795 | 37976PZX010 | BRACKET, ACCELERATOR PEDAL SENSOR | £0.00 | 1 |
| 6 | PFKL554805 | 37977PZX010 | STAY COMP., ACCELERATOR PEDAL SENSOR | £0.00 | 1 |
| 8 | PFKL554813 | 37978PZX000 | STAY, R. | £0.00 | 1 |
| 9 | PFKL554814 | 37978RCAA00 | RUBBER, MOUNT | £0.00 | 3 |
| 10 | PFKL554828 | 37996RCAA00 | COVER COMP., ACCELERATOR PEDAL SENSOR | £25.36 | 1 |
| 11 | PFKL1017216 | 934020501408 | BOLT-WASHER, 5X14 | £1.46 | 2 |
| 12 | PFKL1028254 | 957010601208 | BOLT, FLANGE, 6X12 | £1.87 | 5 |
| 13 | PFKL1028277 | 957010601608 | BOLT, FLANGE, 6X16 | £1.87 | 2 |
| 14 | PFKL1028316 | 957010602508 | BOLT, FLANGE, 6X25 | £2.14 | 3 |

B-23-23 CLUTCH MASTER CYLINDER (RH) ('04-)

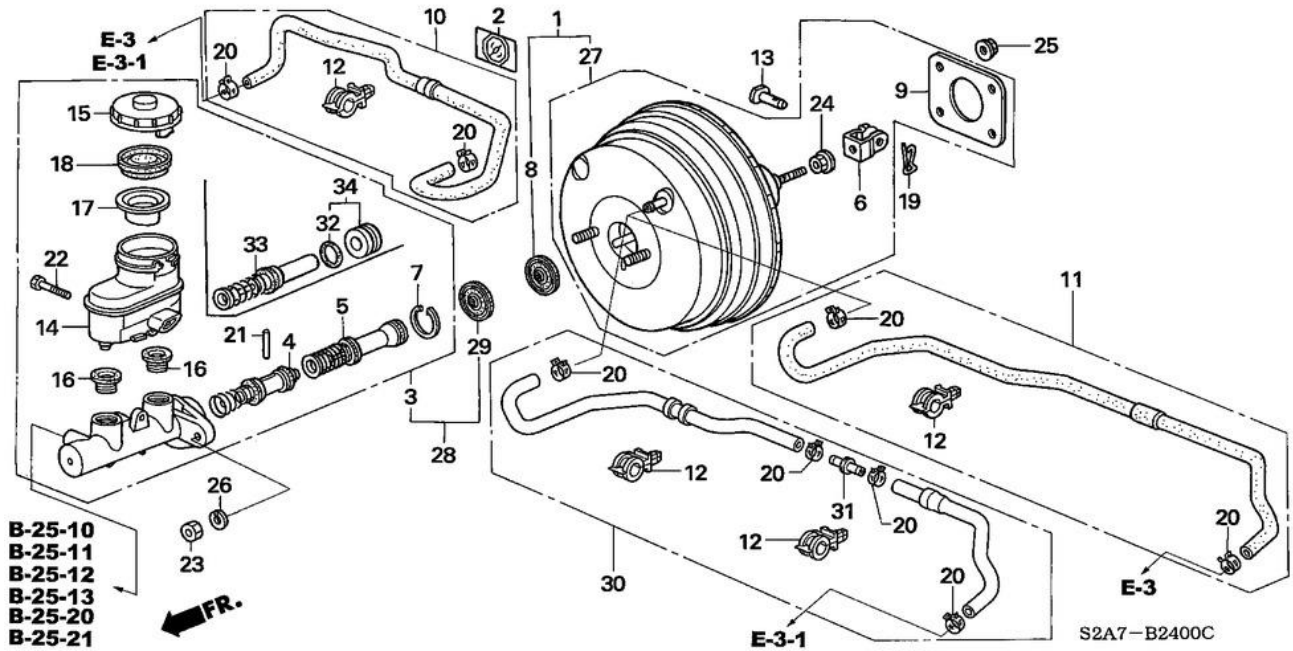


S2A7-B2323

| Ref | Part No | Honda Part No | Description | Price (Each) | Req Qty |
|-----|-----------------------------|---------------|-------------------------------|--------------|---------|
| 1 | PFKL595721 | 43352567000 | SCREW, BLEEDER | £4.07 | 1 |
| 2 | PFKL595731 | 43353SD5003 | CAP, BLEEDER SCREW | £5.72 | 1 |
| 3 | PFKL620861 | 46151SA5003 | YOKE COMP. (NISSIN) | £13.13 | 1 |
| 4 | PFKL620889 | 46165632000 | BAND, RESERVOIR | £10.09 | 1 |
| 5 | PFKL620931 | 46182500013 | CIRCLIP | £3.37 | 1 |
| 6 | PFKL623392 | 46396S84A01 | CLIP, BRAKE PIPE | £8.01 | 3 |
| 7 | PFKL625079 | 46472568000 | PACKING, OIL BOLT | £6.53 | 2 |
| 8 | PFKL627356 | 46911S70003 | PIN, LOCK (8MM) | £7.16 | 1 |
| 9 | PFKL627365 | 46912S84A00 | PIN, CLUTCH PEDAL | £6.75 | 1 |
| 10 | PFKL627436 | 46920S2A003 | CYLINDER ASSY., CLUTCH MASTER | £221.48 | 1 |
| 11 | PFKL627514 | 46926SF1003 | PISTON ASSY. | £50.51 | 1 |
| 12 | PFKL627522 | 46928SF1000 | SEAL, CLUTCH MASTER CYLINDER | £6.68 | 1 |
| 13 | PFKL627570 | 46930S2AA02 | CYLINDER ASSY., CLUTCH SLAVE | £183.27 | 1 |
| 14 | PFKL627609 | 46932S2AA01 | PISTON, SLAVE CYLINDER | £43.68 | 1 |
| 15 | PFKL627645 | 46937SR3003 | BOOT, SLAVE CYLINDER | £7.83 | 1 |
| 16 | PFKL627648 | 46938SD4003 | ROD, PUSH | £19.65 | 1 |
| 17 | PFKL627750 | 46950S2A003 | ROD ASSY., PUSH | £18.63 | 1 |
| 18 | PFKL627866 | 46960S2A030 | PIPE ASSY., CLUTCH | £0.00 | 1 |
| 19 | PFKL627973 | 46961S2A023 | HOSE, CLUTCH | £54.14 | 1 |
| 20 | PFKL628006 | 46963SD4020 | BOLT, CLUTCH OIL | £7.42 | 1 |
| 21 | PFKL628096 | 46968S2A020 | BRACKET, CLUTCH HOSE | £10.74 | 1 |
| 22 | PFKL628234 | 46972SF1003 | TANK, CLUTCH FLUID | £13.83 | 1 |
| 23 | PFKL628241 | 46973SD4003 | CAP COMP., RESERVE TANK | £26.46 | 1 |
| 24 | PFKL989126 | 90301SV7000 | NUT, PAINT CUTTING, 6MM | £6.95 | 2 |
| 25 | PFKL1021341 | 9405008080 | NUT, FLANGE, 8MM | £2.68 | 1 |
| 26 | PFKL1021366 | 9407008080 | NUT-WASHER, 8MM | £1.87 | 2 |
| 27 | PFKL1028491 | 957010803008 | BOLT, FLANGE, 8X30 | £2.09 | 1 |

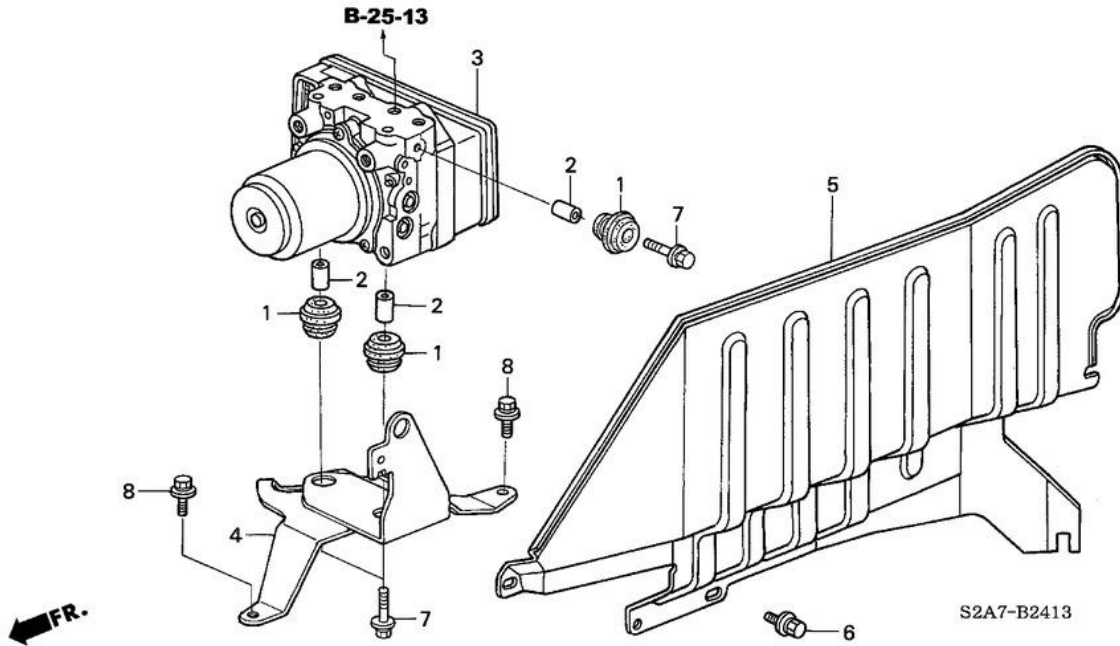
| | | | | | |
|----|-----------------------------|--------------|--------------------|-------|---|
| 28 | PFKL1028477 | 957010802508 | BOLT, FLANGE, 8X25 | £2.09 | 2 |
|----|-----------------------------|--------------|--------------------|-------|---|

B-24 BRAKE MASTER CYLINDER/ MASTER POWER



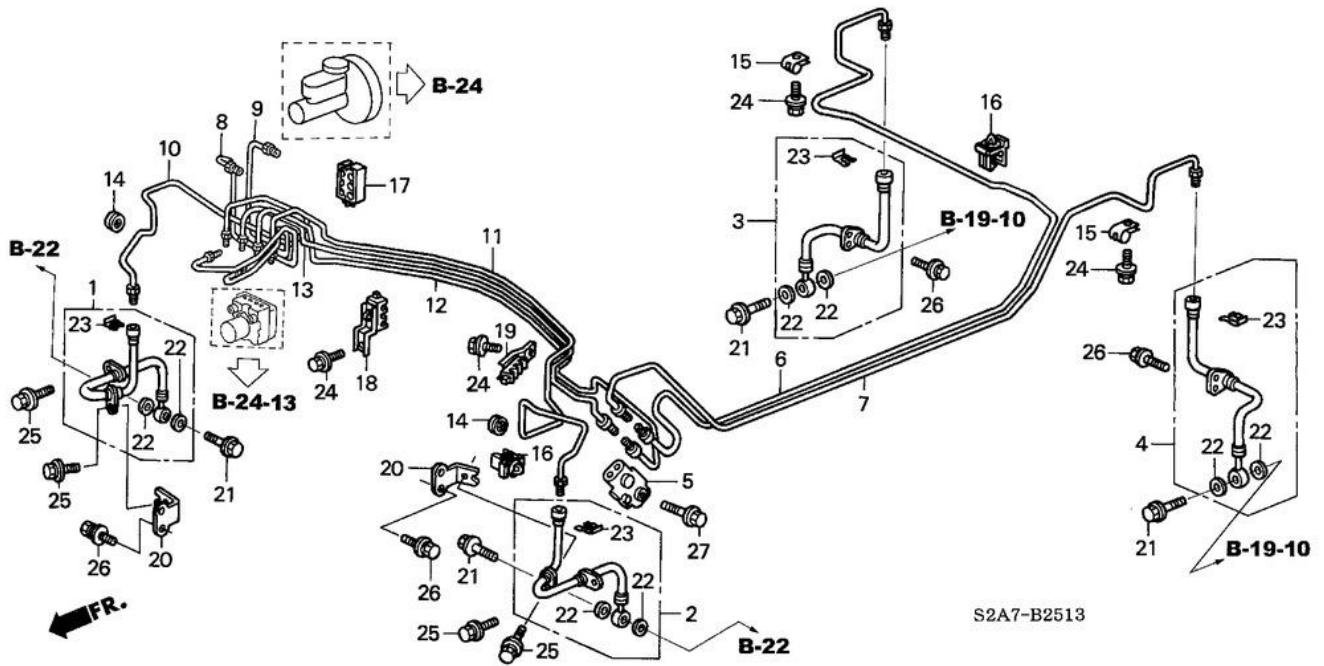
| Ref | Part No | Honda Part No | Description | Price (Each) | Req Qty |
|-----|-----------------------------|---------------|--------------------------|--------------|---------|
| 1 | PFKL213372 | 01469S2AJ50 | POWER SET, MASTER | £575.23 | 1 |
| 3 | PFKL620562 | 46100S2AJ51 | CYLINDER ASSY., MASTER | £0.00 | 1 |
| 4 | PFKL620712 | 46120SFEJ11 | PISTON ASSY., PRIMARY | £47.39 | 1 |
| 5 | PFKL620766 | 46122SFEJ11 | PISTON ASSY., SECONDARY | £42.65 | 1 |
| 6 | PFKL620863 | 46151SB2003 | YOKE, PUSH ROD (NISSIN) | £12.78 | 1 |
| 7 | PFKL620928 | 46182S84A51 | CIRCLIP | £5.90 | 1 |
| 8 | PFKL620950 | 46185S04J01 | SEAL, ROD | £7.32 | 1 |
| 9 | PFKL620956 | 46191S2K000 | PACKING, MASTER POWER | £7.16 | 1 |
| 12 | PFKL624002 | 46407S84A01 | CLAMP, TUBE | £6.35 | 2 |
| 13 | PFKL626072 | 46512S70000 | PIN, PEDAL | £7.28 | 1 |
| 14 | PFKL627015 | 46661S2A013 | RESERVOIR SET | £72.11 | 1 |
| 15 | PFKL627073 | 46662S9A003 | CAP COMP., RESERVE TANK | £21.93 | 1 |
| 16 | PFKL627093 | 46665S04J01 | GROMMET | £13.72 | 2 |
| 17 | PFKL627117 | 46666S2K003 | FILTER, BRAKE RESERVOIR | £9.22 | 1 |
| 18 | PFKL627128 | 46669S5A003 | DIAPHRAGM | £13.04 | 1 |
| 19 | PFKL627356 | 46911S70003 | PIN, LOCK (8MM) | £7.16 | 1 |
| 20 | PFKL696800 | 53729671003 | CLAMP D, 15.5MM | £7.15 | 4 |
| 21 | PFKL704900 | 57515S30003 | PIN, STOP | £6.17 | 1 |
| 22 | PFKL1016346 | 92301050250H | BOLT, RECESSED, 5X25 | £1.87 | 1 |
| 23 | PFKL1020964 | 94001080000S | NUT, HEX., 8MM | £2.30 | 2 |
| 24 | PFKL1021341 | 9405008080 | NUT, FLANGE, 8MM | £2.68 | 1 |
| 25 | PFKL1021366 | 9407008080 | NUT-WASHER, 8MM | £1.87 | 4 |
| 26 | PFKL1021546 | 9411108800 | WASHER, SPRING, 8MM | £1.37 | 2 |
| 30 | PFKL623667 | 46402S2A013 | TUBE ASSY., MASTER POWER | £0.00 | 1 |
| 31 | PFKL623726 | 46403S6A000 | JOINT, TWO WAY | £7.19 | 1 |

B-24-13 ABS MODULATOR (RH) ('04-)



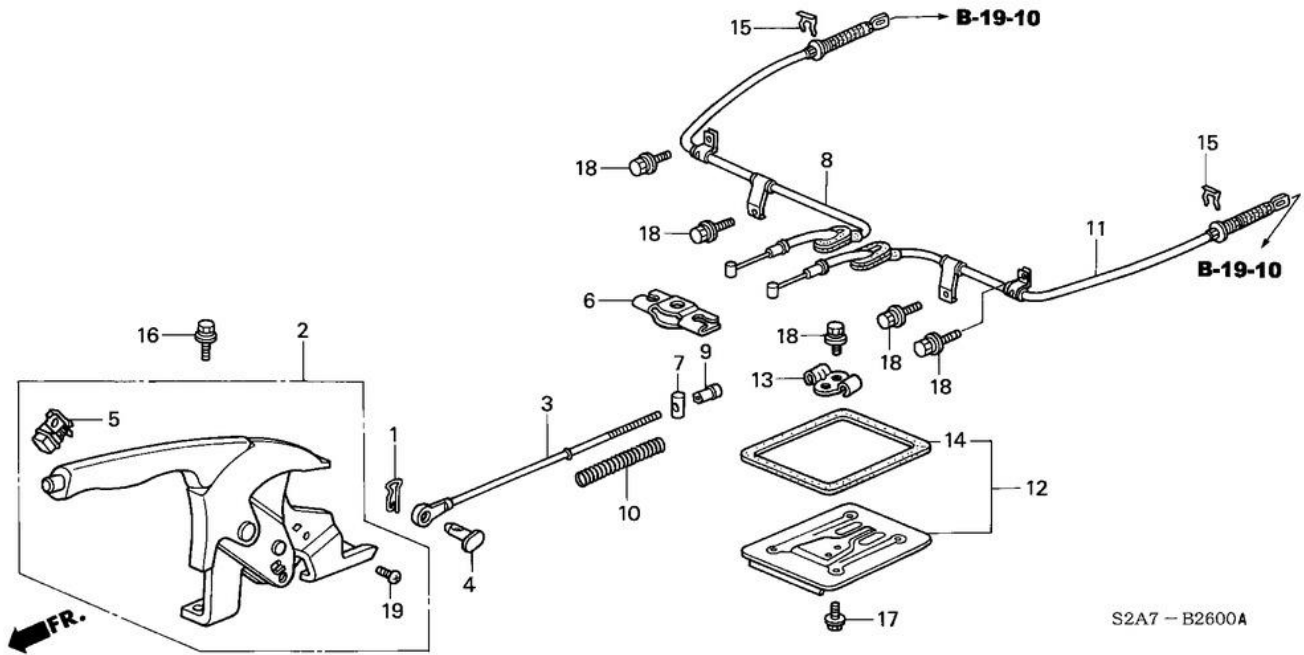
| Ref | Part No | Honda Part No | Description | Price (Each) | Req Qty |
|-----|-----------------------------|---------------|--------------------|--------------|---------|
| 1 | PFKL703261 | 57101SDA003 | RUBBER, MOUNT | £6.84 | 3 |
| 2 | PFKL703287 | 57103SDA003 | COLLAR | £4.19 | 3 |
| 3 | PFKL703574 | 57110S2AA62 | MODULATOR ASSY. | £1,411.54 | 1 |
| 4 | PFKL703724 | 57115S2A600 | BRACKET, MODULATOR | £0.00 | 1 |
| 5 | PFKL704028 | 57255S2A020 | PLATE, BAFFLE | £85.81 | 1 |
| 6 | PFKL1017293 | 934030601208 | BOLT-WASHER, 6X12 | £2.14 | 4 |
| 7 | PFKL1017401 | 934040602508 | BOLT-WASHER, 6X25 | £2.14 | 3 |
| 8 | PFKL1017471 | 934050601408 | BOLT-WASHER, 6X14 | £1.68 | 3 |

B-25-13 BRAKE LINES (ABS) (RH) ('04-)



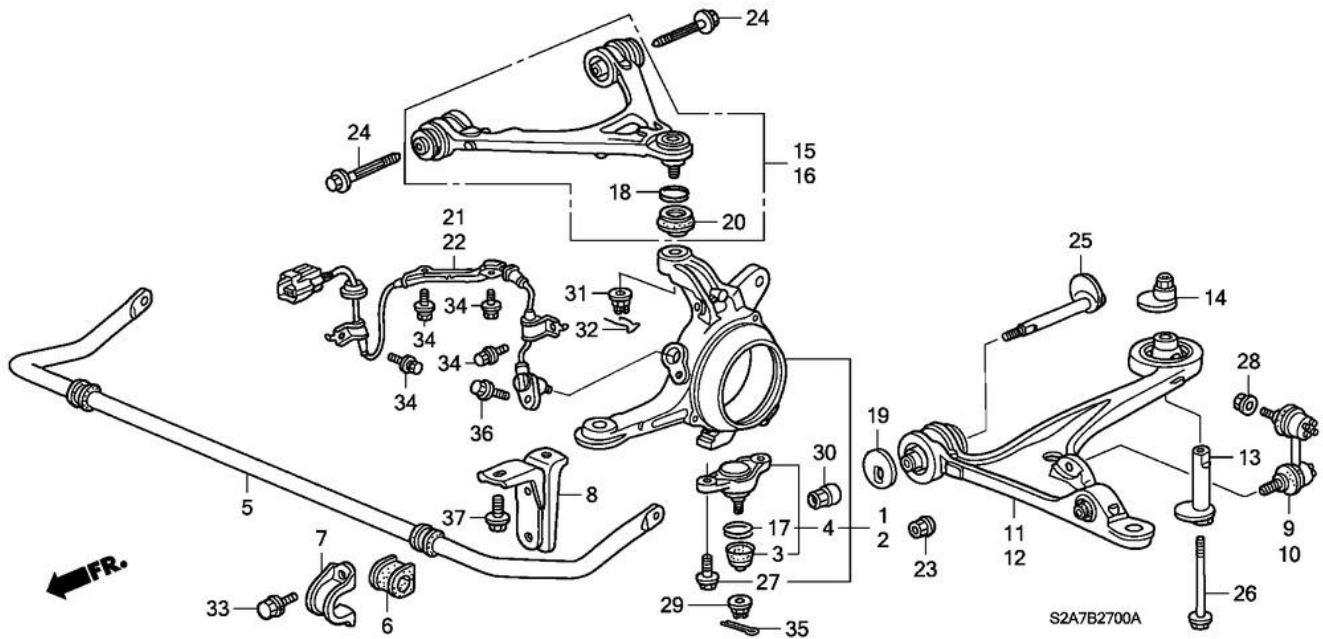
| Ref | Part No | Honda Part No | Description | Price (Each) | Req Qty |
|-----|-----------------------------|---------------|----------------------------------|--------------|---------|
| 1 | PFKL213029 | 01464S2A010 | HOSE SET, R. FR. BRAKE | £72.99 | 1 |
| 2 | PFKL213141 | 01465S2A010 | HOSE SET, L. FR. BRAKE | £72.99 | 1 |
| 3 | PFKL213259 | 01466S2A010 | HOSE SET, R. RR. BRAKE | £67.37 | 1 |
| 4 | PFKL213308 | 01468S2A010 | HOSE SET, L. RR. BRAKE | £67.37 | 1 |
| 5 | PFKL621142 | 46210S2AJ51 | VALVE ASSY., PROPORTIONING (ABS) | £231.58 | 1 |
| 6 | PFKL621646 | 46330S2A602 | PIPE COMP. C, BRAKE | £99.23 | 1 |
| 7 | PFKL621931 | 46340S2A602 | PIPE COMP. D, BRAKE | £88.59 | 1 |
| 8 | PFKL622375 | 46374S2A601 | PIPE COMP. U, BRAKE | £0.00 | 1 |
| 9 | PFKL622549 | 46375S2A601 | PIPE COMP. V, BRAKE | £0.00 | 1 |
| 10 | PFKL622695 | 46376S2A601 | PIPE COMP. W, BRAKE | £50.08 | 1 |
| 11 | PFKL622845 | 46377S2A602 | PIPE COMP. X, BRAKE | £0.00 | 1 |
| 12 | PFKL622959 | 46378S2A602 | PIPE COMP. Y, BRAKE | £0.00 | 1 |
| 13 | PFKL623064 | 46379S2A602 | PIPE COMP. Z, BRAKE | £0.00 | 1 |
| 14 | PFKL623095 | 46380SH3000 | GROMMET A, BRAKE PIPE | £6.21 | 2 |
| 15 | PFKL623155 | 46391SR3J00 | CLAMP, BRAKE PIPE | £7.04 | 2 |
| 16 | PFKL623171 | 46391SX8T01 | CLIP, BRAKE PIPE | £4.28 | 5 |
| 17 | PFKL623191 | 46391S84A51 | CLIP, BRAKE PIPE | £4.28 | 1 |
| 18 | PFKL623296 | 46393S2AJ01 | CLIP, BRAKE PIPE | £7.53 | 2 |
| 19 | PFKL623297 | 46393S2A000 | CLIP, BRAKE PIPE | £7.49 | 1 |
| 20 | PFKL624557 | 46428S2A000 | BRACKET, BRAKE HOSE | £7.39 | 2 |
| 21 | PFKL625028 | 46462SE0000 | BOLT, OIL | £6.95 | 4 |
| 22 | PFKL625079 | 46472568000 | PACKING, OIL BOLT | £6.53 | 8 |
| 23 | PFKL997790 | 90651538000 | CLIP, BRAKE HOSE | £3.55 | 4 |
| 24 | PFKL1017227 | 934020601208 | BOLT-WASHER, 6X12 | £1.87 | 5 |
| 25 | PFKL1017253 | 934020802008 | BOLT-WASHER, 8X20 | £1.85 | 4 |
| 26 | PFKL1017303 | 934030601608 | BOLT-WASHER, 6X16 | £2.14 | 8 |
| 27 | PFKL1029167 | 958010804008 | BOLT, FLANGE, 8X40 | £2.18 | 1 |

B-26 PARKING BRAKE



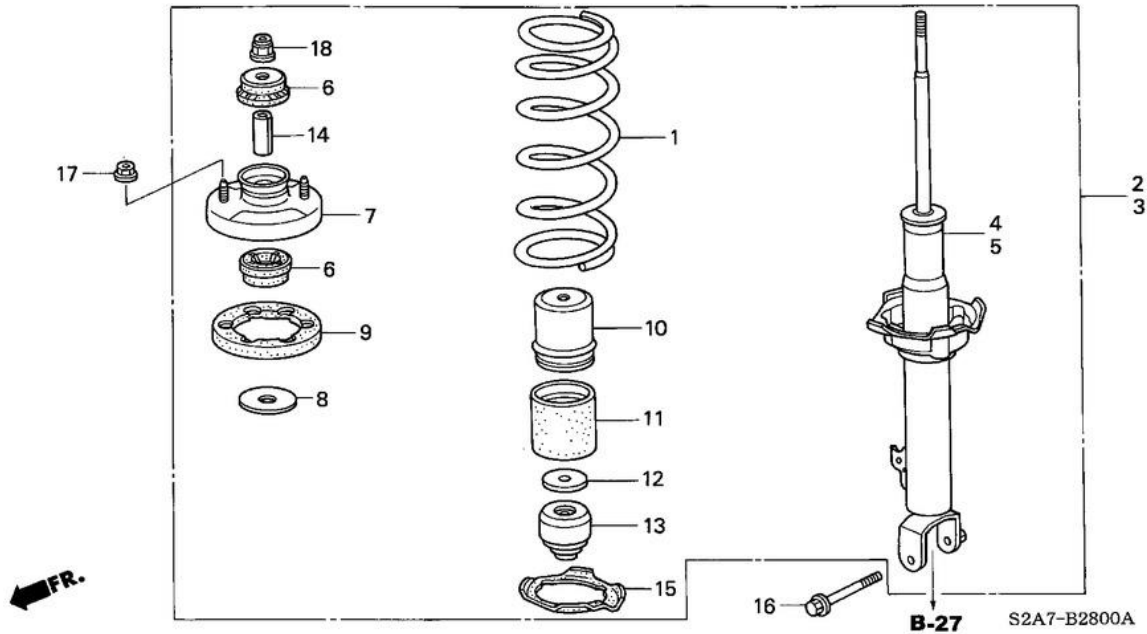
| Ref | Part No | Honda Part No | Description | Price (Each) | Req Qty |
|-----|-----------------------------|---------------|-------------------------------------|--------------|---------|
| 1 | PFKL627356 | 46911S70003 | PIN, LOCK (8MM) | £7.16 | 1 |
| 2 | PFKL628852 | 47105S2AJ10ZA | LEVER ASSY., PARKING BRAKE *NH167L* | £101.51 | 1 |
| 3 | PFKL629059 | 47146S2A000 | BOLT, JOINT | £0.00 | 1 |
| 4 | PFKL629078 | 47153S2A000 | PIN, HAND BRAKE | £4.72 | 1 |
| 5 | PFKL629281 | 47342S2A003 | SWITCH, PARKING BRAKE | £0.00 | 1 |
| 6 | PFKL629306 | 47360SB2000 | EQUALIZER | £13.36 | 1 |
| 7 | PFKL629349 | 47365S38000 | PIN, EQUALIZER | £6.25 | 1 |
| 8 | PFKL629639 | 47510S2A013 | WIRE A, R. PARKING BRAKE | £90.23 | 1 |
| 9 | PFKL629853 | 47522S2A000 | NUT, ADJUSTER | £0.00 | 1 |
| 10 | PFKL629889 | 47537671670 | SPRING, PARKING BRAKE ROD | £3.91 | 1 |
| 11 | PFKL630158 | 47560S2A013 | WIRE A, L. PARKING BRAKE | £90.23 | 1 |
| 12 | PFKL630214 | 47571S2AJ00 | PLATE ASSY., WIRE BASE GUIDE | £16.78 | 1 |
| 13 | PFKL630238 | 47572ST0000 | BASE, WIRE GUIDE | £9.78 | 1 |
| 14 | PFKL630249 | 47573S2A000 | PACKING | £0.00 | 1 |
| 15 | PFKL997790 | 90651538000 | CLIP, BRAKE HOSE | £3.55 | 2 |
| 16 | PFKL1017255 | 934020802508 | BOLT-WASHER, 8X25 | £2.09 | 2 |
| 17 | PFKL1017293 | 934030601208 | BOLT-WASHER, 6X12 | £2.14 | 4 |
| 18 | PFKL1017336 | 934030801608 | BOLT-WASHER, 8X16 | £2.09 | 6 |
| 19 | PFKL1019722 | 938920401208 | SCREW-WASHER, 4X12 | £1.18 | 1 |

B-27 FRONT KNUCKLE

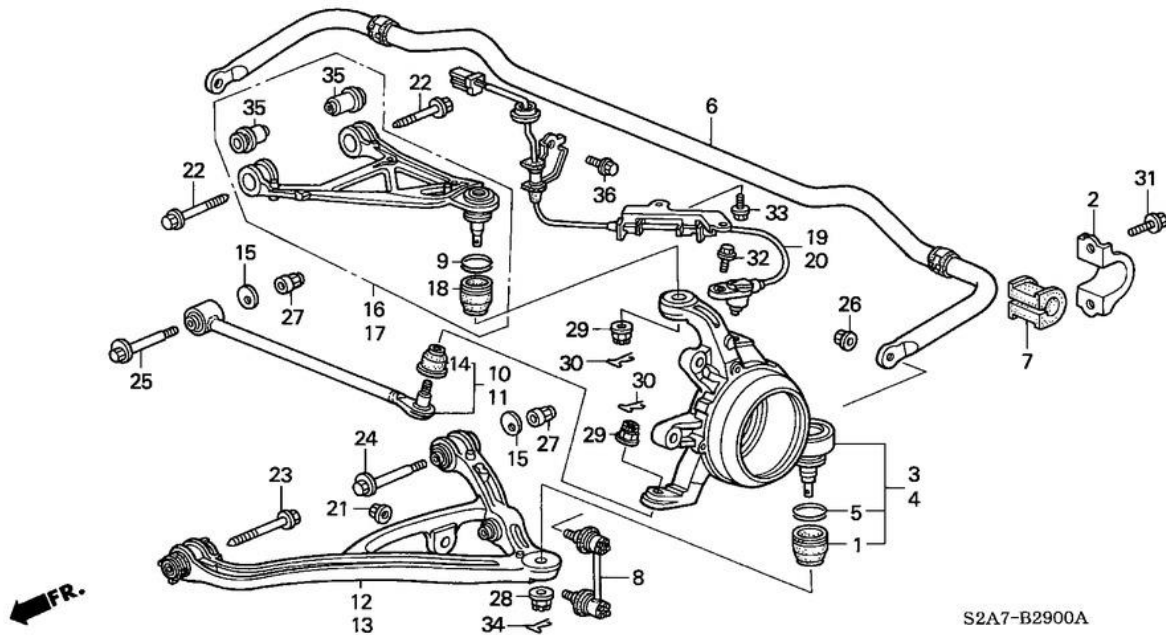


| Ref | Part No | Honda Part No | Description | Price (Each) | Req Qty |
|-----|----------------------------|---------------|-------------------------------|--------------|---------|
| 1 | PFKL648945 | 51210S2A010 | KNUCKLE COMP., R. FR. | £509.73 | 1 |
| 2 | PFKL649332 | 51215S2A010 | KNUCKLE COMP., L. FR. | £509.73 | 1 |
| 3 | PFKL649549 | 51225SL5003 | BOOT, LOWER BALL DUST | £25.87 | 2 |
| 4 | PFKL649571 | 51230S2A000 | JOINT ASSY., FR. LOWER BALL | £57.88 | 2 |
| 5 | PFKL649817 | 51300S2A033 | SPRING, FR. STABILIZER | £286.97 | 1 |
| 6 | PFKL650020 | 51306S2A013 | BUSH, STABILIZER HOLDER | £12.53 | 2 |
| 7 | PFKL650086 | 51308SZ3010 | BRACKET, STABILIZER | £12.76 | 2 |
| 8 | PFKL650293 | 51317S2A000 | BRACKET, STABILIZER HOLD | £28.05 | 2 |
| 9 | PFKL650333 | 51320S2A003 | LINK COMP., R. FR. STABILIZER | £57.88 | 1 |
| 10 | PFKL650365 | 51321S2A003 | LINK COMP., L. FR. STABILIZER | £57.88 | 1 |
| 11 | PFKL650627 | 51350S2A030 | ARM COMP., R. FR. LOWER | £326.19 | 1 |
| 12 | PFKL651024 | 51360S2A030 | ARM COMP., L. FR. LOWER | £326.14 | 1 |
| 13 | PFKL651378 | 51392S2A000 | COLLAR, FR. LOWER ARM | £36.35 | 2 |
| 14 | PFKL651425 | 51393S2A020 | NUT, SELF-LOCK CAM (12MM) | £54.49 | 2 |
| 14 | PFKL651425 | 51393S2A020 | NUT, SELF-LOCK CAM (12MM) | £54.49 | 2 |
| 15 | PFKL658139 | 51450S2A003 | ARM ASSY., R. FR. UPPER | £415.23 | 1 |
| 16 | PFKL658541 | 51460S2A013 | ARM COMP., L. FR. UPPER | £415.23 | 1 |
| 17 | PFKL670130 | 52226SL0003 | CIRCLIP, LOWER BALL (MUSASHI) | £8.75 | 2 |
| 18 | PFKL670690 | 52338SL0003 | CIRCLIP, CONTROL ARM | £7.38 | 2 |
| 19 | PFKL672299 | 52388SM4961 | PLATE, CAM | £8.77 | 2 |
| 19 | PFKL672299 | 52388SM4961 | PLATE, CAM | £8.77 | 2 |
| 20 | PFKL677352 | 52454S84A01 | BOOT, UPPER DUST | £16.93 | 2 |
| 21 | PFKL704437 | 57450S2A003 | SENSOR ASSY., R. FR. | £250.14 | 1 |
| 22 | PFKL704578 | 57455S2A003 | SENSOR ASSY., L. FR. | £250.14 | 1 |
| 23 | PFKL974285 | 90002S10000 | NUT, FLANGE, 10MM | £2.00 | 2 |
| 24 | PFKL987493 | 90170SP0000 | BOLT A, LOWER ARM | £14.54 | 4 |
| 25 | PFKL987497 | 90170S2A000 | BOLT B, FR. LOWER ARM ADJUST | £19.25 | 2 |

| | | | | | |
|----|-----------------------------|--------------|-----------------------|--------|---|
| 26 | PFKL987532 | 90171S2A020 | BOLT C, FR. LOWER ARM | £11.83 | 2 |
| 26 | PFKL987532 | 90171S2A020 | BOLT C, FR. LOWER ARM | £11.83 | 2 |
| 27 | PFKL987659 | 90175S2A000 | BOLT, FLANGE, 12X37 | £7.10 | 4 |
| 28 | PFKL988666 | 90212SA5003 | NUT, SELF-LOCK, 10MM | £1.87 | 2 |
| 29 | PFKL990061 | 90307SL5000 | NUT, CASTLE, 14MM | £7.30 | 2 |
| 30 | PFKL990847 | 90362S2A000 | NUT, SELF-LOCK (12MM) | £8.77 | 2 |
| 31 | PFKL990858 | 90363SZ3003 | NUT, UPPER ARM, 12MM | £8.73 | 2 |
| 32 | PFKL1000211 | 90701SX0003 | CLIP, UPPER ARM | £5.54 | 2 |
| 33 | PFKL1017267 | 934021002008 | BOLT-WASHER, 10X20 | £2.09 | 4 |
| 34 | PFKL1017293 | 934030601208 | BOLT-WASHER, 6X12 | £2.14 | 8 |
| 35 | PFKL1021631 | 9420130220 | PIN, SPLIT, 3.0X22 | £1.51 | 2 |
| 36 | PFKL1028277 | 957010601608 | BOLT, FLANGE, 6X16 | £1.87 | 2 |
| 37 | PFKL1028704 | 957011202508 | BOLT, FLANGE, 12X25 | £2.88 | 4 |



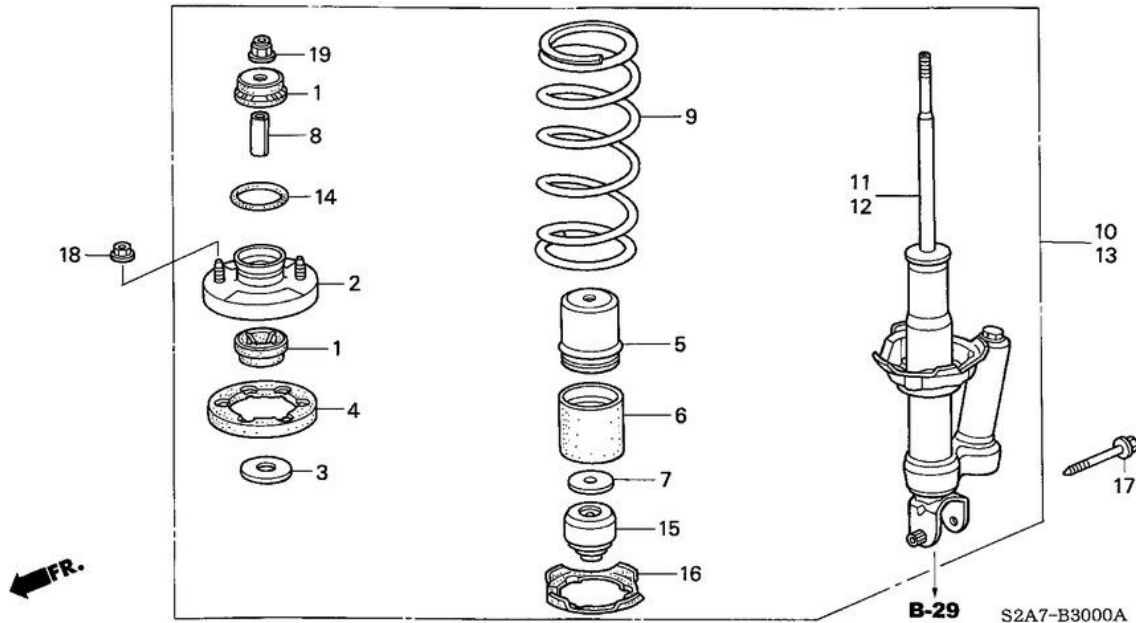
| Ref | Part No | Honda Part No | Description | Price (Each) | Req Qty |
|-----|----------------------------|---------------|--|--------------|---------|
| 1 | PFKL653975 | 51631S2A004 | SPRING, FR. (SHOWA) | £100.96 | 2 |
| 2 | PFKL662740 | 51675SR0004 | ABSORBER ASSY., R. FR. SHOCK | £0.00 | 1 |
| 3 | PFKL664050 | 51685S2A004 | ABSORBER ASSY., L. FR. SHOCK | £551.25 | 1 |
| 4 | PFKL664931 | 51686SR3003 | ABSORBER UNIT, R. FR. SHOCK | £300.28 | 1 |
| 5 | PFKL665469 | 51687S2A004 | ABSORBER UNIT, L. FR. SHOCK | £300.28 | 1 |
| 6 | PFKL666426 | 51688S2A004 | RUBBER, SHOCK ABSORBER MOUNTING | £63.35 | 4 |
| 7 | PFKL666609 | 51689S2A004 | BASE, SHOCK ABSORBER MOUNTING (A.S.I. SHOWA) | £32.78 | 2 |
| 8 | PFKL666647 | 51728SB0004 | PLATE, DUST COVER | £8.80 | 2 |
| 9 | PFKL666677 | 52441S2A902 | RUBBER, SPRING MOUNTING (SHOWA) | £37.41 | 2 |
| 10 | PFKL666723 | 52610S2AA07 | COVER, DUST | £22.44 | 2 |
| 11 | PFKL666756 | 52611S2AA07 | END, DUST COVER | £23.76 | 2 |
| 12 | PFKL666785 | 52612S2AA07 | PLATE, BUMP STOP | £10.15 | 2 |
| 13 | PFKL666882 | 52620S2AA07 | RUBBER, FR. BUMP STOPPER | £29.68 | 2 |
| 14 | PFKL666950 | 52676S2A014 | COLLAR, SHOCK ABSORBER MOUNTING (SHOWA) | £8.64 | 2 |
| 15 | PFKL681451 | 52722S2A004 | RUBBER, SPRING SEAT (SHOWA) | £16.65 | 2 |
| 16 | PFKL987621 | 52748SM4014 | BOLT, FLANGE, 12X85 | £11.83 | 2 |
| 17 | PFKL989617 | 90174S2A000 | NUT, FLANGE, 10MM (OHASHI) | £7.54 | 4 |
| 18 | PFKL990867 | 90304S10024 | NUT, SELF-LOCK, 10MM (SHOWA) | £5.81 | 2 |



S2A7-B2900A

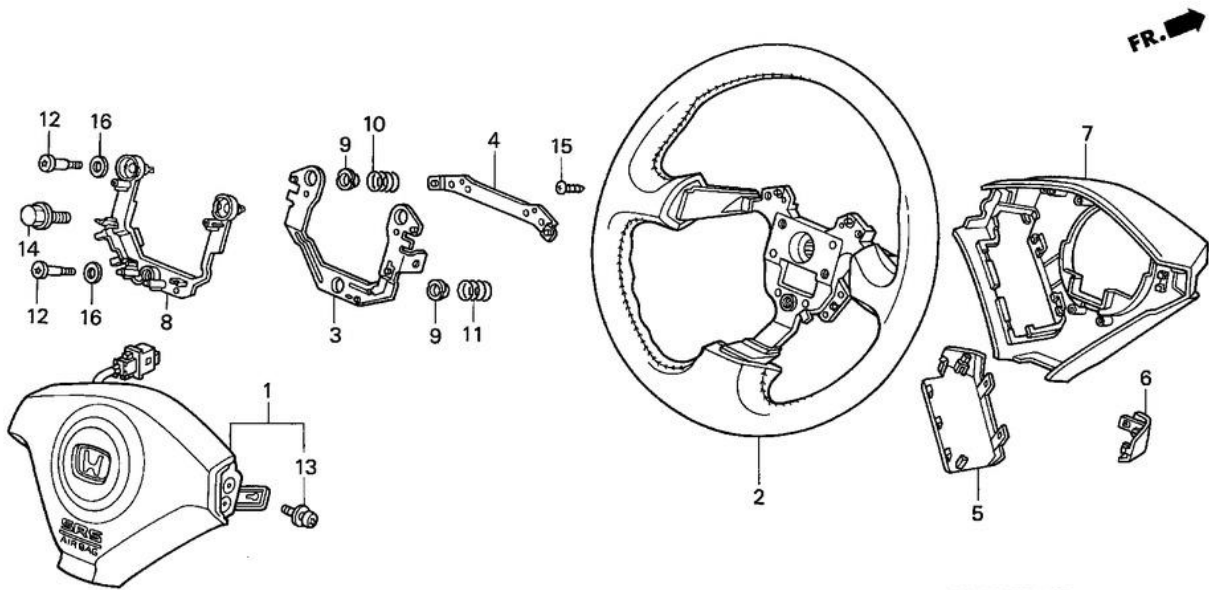
| Ref | Part No | Honda Part No | Description | Price (Each) | Req Qty |
|-----|----------------------------|---------------|--------------------------------|--------------|---------|
| 1 | PFKL649558 | 51225S84A01 | BOOT, LOWER BALL DUST | £13.06 | 2 |
| 2 | PFKL650086 | 51308SZ3010 | BRACKET, STABILIZER | £12.76 | 2 |
| 3 | PFKL669943 | 52210S2A010 | KNUCKLE COMP., R. RR. | £411.76 | 1 |
| 4 | PFKL670060 | 52215S2A010 | KNUCKLE COMP., L. RR. | £411.76 | 1 |
| 5 | PFKL670130 | 52226SL0003 | CIRCLIP, LOWER BALL (MUSASHI) | £8.75 | 2 |
| 6 | PFKL670318 | 52300S2AJ02 | SPRING, RR. STABILIZER | £248.54 | 1 |
| 7 | PFKL670556 | 52315S2A023 | BUSH, STABILIZER HOLDER | £10.36 | 2 |
| 8 | PFKL670652 | 52320S2A003 | LINK COMP., RR. STABILIZER | £62.30 | 2 |
| 9 | PFKL670690 | 52338SL0003 | CIRCLIP, CONTROL ARM | £7.38 | 2 |
| 10 | PFKL670696 | 52340S2A003 | ARM COMP., R. RR. CONTROL | £140.30 | 1 |
| 11 | PFKL670739 | 52345S2A003 | ARM COMP., L. RR. CONTROL | £140.30 | 1 |
| 12 | PFKL670896 | 52350S2A000 | ARM COMP., R. RR. LOWER | £495.68 | 1 |
| 13 | PFKL671151 | 52360S2AG00 | ARM COMP., L. RR. LOWER | £495.68 | 1 |
| 14 | PFKL671175 | 52362S30003 | BOOT, TIE ROD END (MUSASHI) | £15.51 | 2 |
| 15 | PFKL672303 | 52388SZ3000 | PLATE, CAM | £7.51 | 4 |
| 16 | PFKL672416 | 52390S2AJ02 | ARM COMP., R. RR. UPPER | £444.54 | 1 |
| 17 | PFKL673916 | 52400S2AJ02 | ARM COMP., L. RR. UPPER | £444.54 | 1 |
| 18 | PFKL677352 | 52454S84A01 | BOOT, UPPER DUST | £16.93 | 2 |
| 19 | PFKL704721 | 57470S2A013 | SENSOR ASSY., R. RR. | £250.14 | 1 |
| 20 | PFKL704863 | 57475S2A013 | SENSOR ASSY., L. RR. | £250.14 | 1 |
| 21 | PFKL974285 | 90002S10000 | NUT, FLANGE, 10MM | £2.00 | 2 |
| 22 | PFKL987560 | 90172SP0000 | BOLT B, SHOCK ABSORBER BRACKET | £13.45 | 4 |
| 23 | PFKL987566 | 90172S2A000 | BOLT, FLANGE, 12X125 | £13.43 | 2 |
| 24 | PFKL987595 | 90173S2A000 | BOLT B, RR. LOWER ARM ADJUST | £15.42 | 2 |
| 25 | PFKL987696 | 90176S2A010 | BOLT, RR. CONTROL ARM ADJUST | £25.59 | 2 |
| 25 | PFKL987696 | 90176S2A010 | BOLT, RR. CONTROL ARM ADJUST | £25.59 | 2 |
| 26 | PFKL988666 | 90212SA5003 | NUT, SELF-LOCK, 10MM | £1.87 | 2 |

| | | | | | |
|----|-----------------------------|--------------|-----------------------|--------|---|
| 27 | PFKL990847 | 90362S2A000 | NUT, SELF-LOCK (12MM) | £8.77 | 4 |
| 28 | PFKL990853 | 90363SF1000 | NUT, CASTLE, 12MM | £6.44 | 2 |
| 29 | PFKL990858 | 90363SZ3003 | NUT, UPPER ARM, 12MM | £8.73 | 4 |
| 30 | PFKL1000211 | 90701SX0003 | CLIP, UPPER ARM | £5.54 | 4 |
| 31 | PFKL1017267 | 934021002008 | BOLT-WASHER, 10X20 | £2.09 | 4 |
| 32 | PFKL1028277 | 957010601608 | BOLT, FLANGE, 6X16 | £1.87 | 2 |
| 33 | PFKL1017311 | 934030602008 | BOLT-WASHER, 6X20 | £2.14 | 4 |
| 34 | PFKL1021631 | 9420130220 | PIN, SPLIT, 3.0X22 | £1.51 | 2 |
| 35 | PFKL672454 | 52393S2A000 | BUSH, RR. UPPER ARM | £74.74 | 4 |
| 36 | PFKL1017293 | 934030601208 | BOLT-WASHER, 6X12 | £2.14 | 2 |



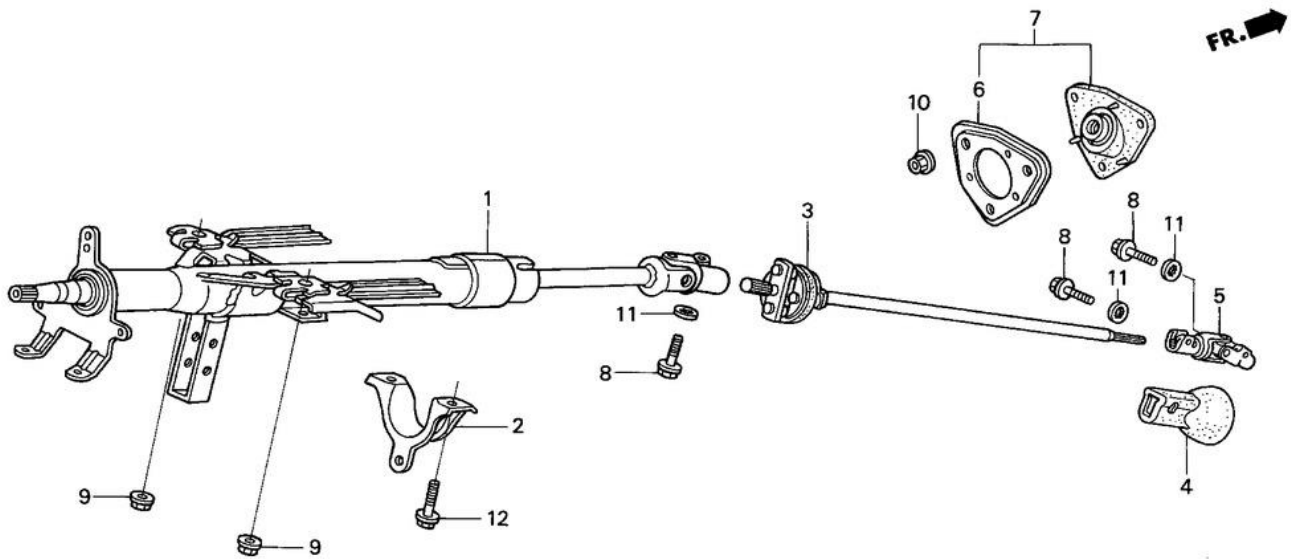
| Ref | Part No | Honda Part No | Description | Price (Each) | Req Qty |
|-----|----------------------------|---------------|--|--------------|---------|
| 1 | PFKL666426 | 51631S2A004 | RUBBER, SHOCK ABSORBER MOUNTING | £63.35 | 4 |
| 2 | PFKL666609 | 51675SR0004 | BASE, SHOCK ABSORBER MOUNTING (A.S.I. SHOWA) | £32.78 | 2 |
| 3 | PFKL666647 | 51685S2A004 | PLATE, DUST COVER | £8.80 | 2 |
| 4 | PFKL666677 | 51686SR3003 | RUBBER, SPRING MOUNTING (SHOWA) | £37.41 | 2 |
| 5 | PFKL666723 | 51687S2A004 | COVER, DUST | £22.44 | 2 |
| 6 | PFKL666756 | 51688S2A004 | END, DUST COVER | £23.76 | 2 |
| 7 | PFKL666785 | 51689S2A004 | PLATE, BUMP STOP | £10.15 | 2 |
| 8 | PFKL666950 | 51728SB0004 | COLLAR, SHOCK ABSORBER MOUNTING (SHOWA) | £8.64 | 2 |
| 9 | PFKL677064 | 52441S2A902 | SPRING, RR. (SHOWA) | £120.13 | 2 |
| 10 | PFKL679514 | 52610S2AA07 | ABSORBER ASSY., R. RR. SHOCK | £0.00 | 1 |
| 11 | PFKL680112 | 52611S2AA07 | ABSORBER UNIT, R. RR. SHOCK | £397.47 | 1 |
| 12 | PFKL680339 | 52612S2AA07 | ABSORBER UNIT, L. RR. SHOCK | £397.47 | 1 |
| 13 | PFKL680666 | 52620S2AA07 | ABSORBER ASSY., L. RR. SHOCK | £610.10 | 1 |
| 14 | PFKL681062 | 52676S2A014 | SEAL, RR. SHOCK ABSORBER MOUNTING | £9.35 | 2 |
| 15 | PFKL681364 | 52722S2A004 | RUBBER, RR. BUMP STOPPER | £27.56 | 2 |
| 16 | PFKL681451 | 52748SM4014 | RUBBER, SPRING SEAT (SHOWA) | £16.65 | 2 |
| 17 | PFKL987621 | 90174S2A000 | BOLT, FLANGE, 12X85 | £11.83 | 2 |
| 18 | PFKL989622 | 90304S10024 | NUT, FLANGE, 10MM | £4.81 | 4 |
| 18 | PFKL989622 | 90304S10024 | NUT, FLANGE, 10MM | £4.81 | 4 |
| 19 | PFKL990867 | 90364SG0004 | NUT, SELF-LOCK, 10MM (SHOWA) | £5.81 | 2 |

B-31-10 STEERING WHEEL (SRS)



S2A7-B3110B

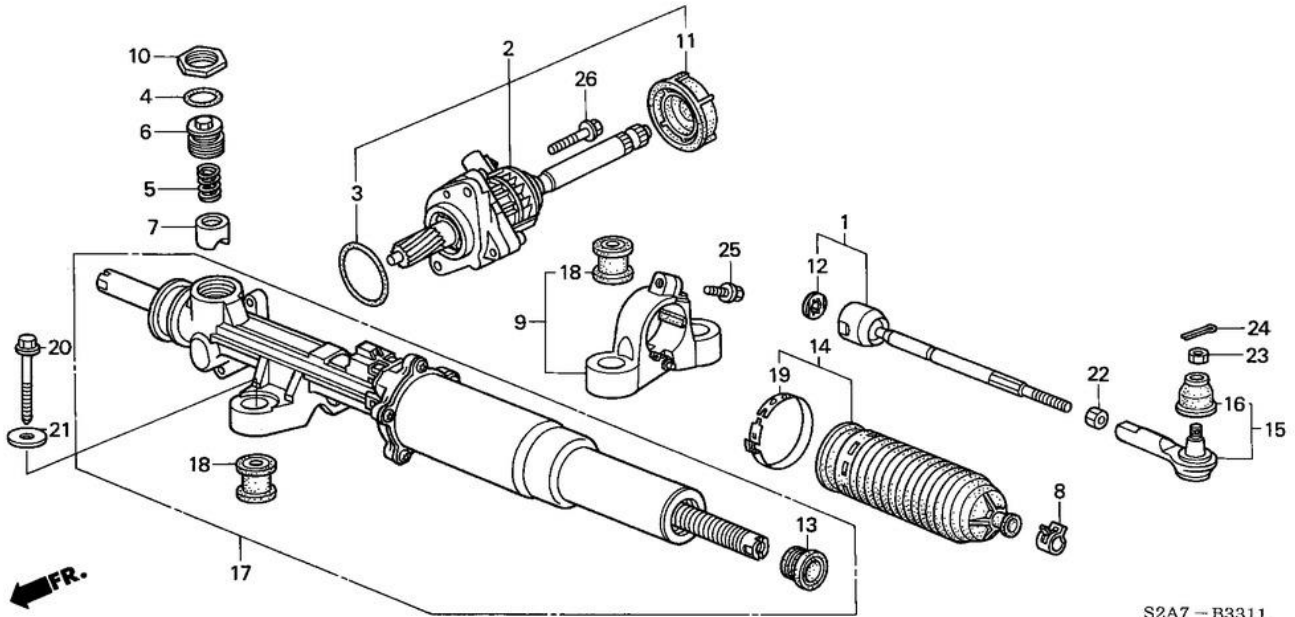
| Ref | Part No | Honda Part No | Description | Price (Each) | Req Qty |
|-----|-----------------------------|---------------|-------------------------------|--------------|---------|
| 1 | PFKL853820 | 77810S2AG90ZA | MODULE ASSY., DRIVER *NH167L* | £1,157.30 | 1 |
| 2 | PFKL860855 | 78501S2AA72ZA | GRIP COMP. (LEATHER) *NH167L* | £922.26 | 1 |
| 3 | PFKL860931 | 78502S2AA61 | PLATE COMP., HORN | £17.10 | 1 |
| 4 | PFKL860939 | 78503S2AA61 | PLATE COMP., CONTACT | £7.96 | 1 |
| 5 | PFKL861529 | 78514S2AA61ZA | CAP A, BODY COVER *NH167L* | £12.10 | 1 |
| 6 | PFKL861556 | 78515S2AA61ZA | CAP B, BODY COVER *NH167L* | £10.83 | 1 |
| 7 | PFKL861702 | 78518S2AA61ZA | COVER, BODY *NH167L* | £18.81 | 1 |
| 8 | PFKL861855 | 78521S2AA62 | COVER, HORN PLATE | £17.85 | 1 |
| 9 | PFKL861896 | 78522S23A51 | SPACER | £4.46 | 3 |
| 10 | PFKL861932 | 78523S23003 | SPRING, COIL | £3.55 | 2 |
| 11 | PFKL861933 | 78523S2AN61 | SPRING B, COIL | £2.93 | 1 |
| 12 | PFKL861945 | 78524S3YN81 | SCREW, SLIDE | £7.29 | 3 |
| 13 | PFKL985576 | 90134S04A81 | BOLT, HEX., 6X12 | £3.26 | 2 |
| 14 | PFKL987019 | 90161SV4003 | BOLT, STEERING HANDLE | £7.51 | 1 |
| 15 | PFKL1020813 | 9391314420 | SCREW, TAPPING, 4X16 (PO) | £1.44 | 4 |
| 16 | PFKL861919 | 78522S3AN81 | WASHER | £2.18 | 3 |



S2A7-B3200A

| Ref | Part No | Honda Part No | Description | Price (Each) | Req Qty |
|-----|-----------------------------|---------------|--------------------------|--------------|---------|
| 1 | PFKL688499 | 53200S2A013 | COLUMN ASSY., STEERING | £524.47 | 1 |
| 2 | PFKL690231 | 53216S2A000 | HOLD B, STEERING COLUMN | £0.00 | 1 |
| 3 | PFKL692144 | 53319S2A003 | SHAFT COMP., STEERING | £0.00 | 1 |
| 4 | PFKL692290 | 53321SF1950 | GUARD, STEERING JOINT | £10.94 | 1 |
| 5 | PFKL692331 | 53323SW5003 | JOINT COMP. B, STEERING | £94.88 | 1 |
| 6 | PFKL692375 | 53332S2A000 | PLATE COMP., JOINT COVER | £0.00 | 1 |
| 7 | PFKL692386 | 53334S2A000 | DUST SEAL COMP., JOINT | £0.00 | 1 |
| 8 | PFKL985636 | 90135SF1000 | BOLT, CENTER SHAFT YOKE | £6.35 | 3 |
| 9 | PFKL990827 | 90361SR3000 | NUT, FLANGE, 8MM | £6.32 | 2 |
| 10 | PFKL990828 | 90361SV4003 | NUT, PAINT CUTTING, 6MM | £5.83 | 3 |
| 11 | PFKL995264 | 90511671003 | WASHER, TOOTHED LOCK | £4.19 | 3 |
| 12 | PFKL1028477 | 957010802508 | BOLT, FLANGE, 8X25 | £2.09 | 2 |

B-33-11 P.S. GEAR BOX (RH)

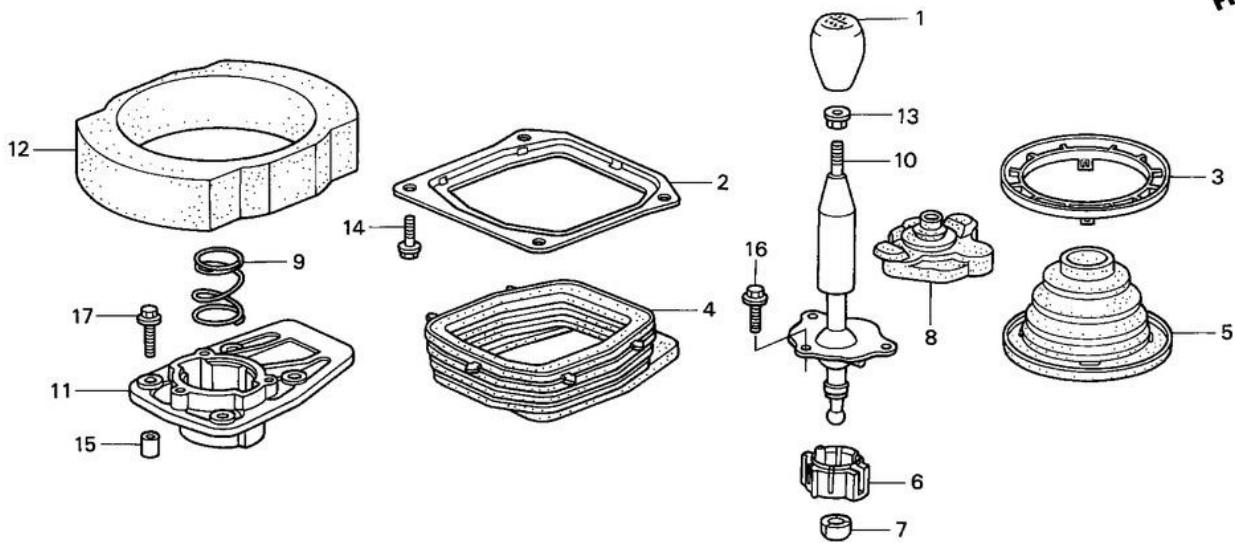


S2A7 - B3311

| Ref | Part No | Honda Part No | Description | Price (Each) | Req Qty |
|-----|-----------------------------|---------------|----------------------------------|--------------|---------|
| 1 | PFKL681594 | 53010S2A003 | END SET, RACK | £88.28 | 2 |
| 2 | PFKL683104 | 53101S2A023 | SENSOR ASSY., TORQUE | £928.60 | 1 |
| 3 | PFKL683406 | 53106S0A003 | O-RING, 54.4X3.1 | £8.17 | 1 |
| 4 | PFKL692573 | 53412SM4J61 | O-RING, RACK GUIDE (NOK) | £6.26 | 1 |
| 5 | PFKL692597 | 53413SP0010 | SPRING, RACK GUIDE PRESSURE | £8.15 | 1 |
| 6 | PFKL692631 | 53414SM4J60 | SCREW, RACK GUIDE | £22.96 | 1 |
| 7 | PFKL692682 | 53416S2AJ01 | GUIDE COMP., STEERING RACK | £33.50 | 1 |
| 8 | PFKL692903 | 53434S84A01 | CLIP, STEERING TIE ROD | £6.35 | 2 |
| 9 | PFKL693080 | 53438S2A013 | BRACKET COMP. | £0.00 | 1 |
| 10 | PFKL693208 | 53458SM4J60 | NUT, RACK SCREW LOCK | £9.84 | 1 |
| 11 | PFKL693287 | 53501S2A003 | COVER, PINION DUST | £0.00 | 1 |
| 12 | PFKL693582 | 53536S84A01 | WASHER, TIE ROD LOCK | £3.56 | 2 |
| 13 | PFKL693612 | 53537SW5003 | RUBBER COMP., STOPPER | £13.08 | 2 |
| 14 | PFKL693616 | 53537S2A003 | DUST SEAL A, TIE ROD | £32.36 | 2 |
| 15 | PFKL693690 | 53540S47951 | END COMP., TIE ROD | £63.21 | 2 |
| 16 | PFKL693736 | 53546S30005 | BOOT, TIE ROD END | £22.96 | 2 |
| 17 | PFKL694435 | 53602S2A013 | BOX COMP., STEERING GEAR | £3,117.65 | 1 |
| 18 | PFKL695617 | 53685SDAA01 | BUSH, GEAR BOX MOUNTING | £13.06 | 4 |
| 19 | PFKL697905 | 53892S2A003 | BAND, BELLOWS | £8.62 | 2 |
| 20 | PFKL981600 | 90108S2A003 | BOLT, GEAR BOX MOUNTING (10X107) | £10.44 | 4 |
| 21 | PFKL995003 | 90506S0A020 | WASHER, PLAIN, 10MM | £3.08 | 4 |
| 22 | PFKL1021017 | 940011408005 | NUT, HEX., 14MM | £2.09 | 2 |
| 23 | PFKL1021280 | 9403012280 | NUT, HEX., 12MM | £2.14 | 2 |
| 24 | PFKL1021631 | 9420130220 | PIN, SPLIT, 3.0X22 | £1.51 | 2 |
| 25 | PFKL1028463 | 957010802008 | BOLT, FLANGE, 8X20 | £1.87 | 1 |
| 26 | PFKL1028477 | 957010802508 | BOLT, FLANGE, 8X25 | £2.09 | 2 |

B-34 SHIFT LEVER

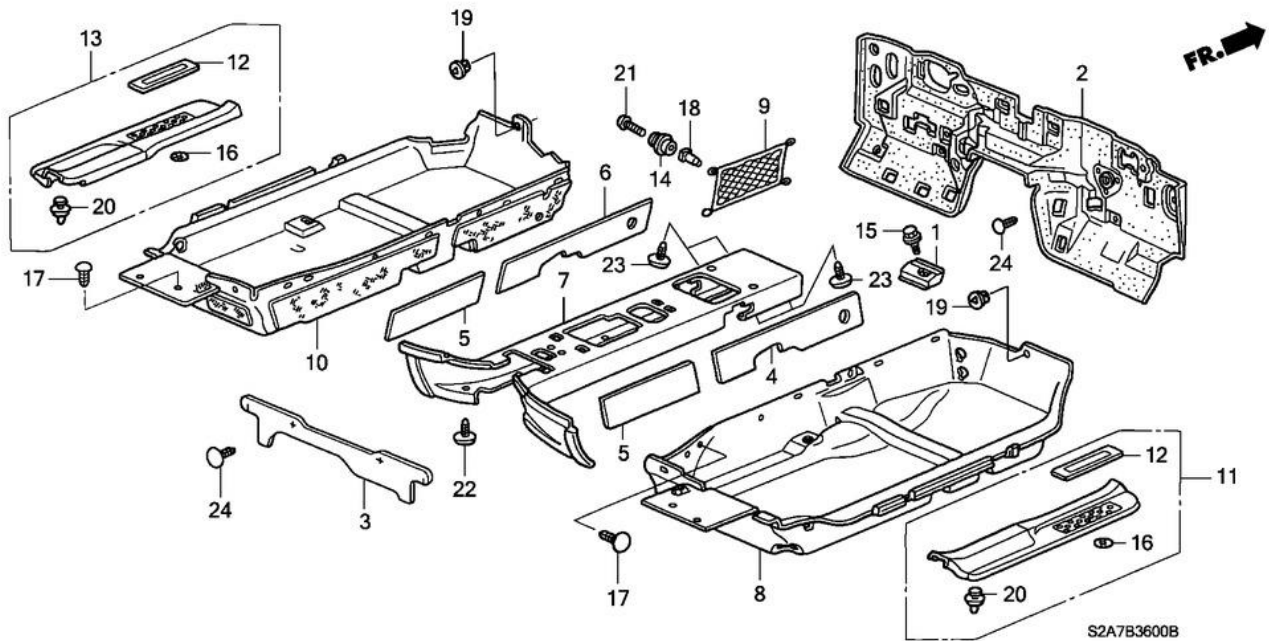
FR. →



S2A7 - B3400

| Ref | Part No | Honda Part No | Description | Price (Each) | Req Qty |
|-----|-----------------------------|---------------|---------------------------|--------------|---------|
| 1 | PFKL698392 | 54102S2A040 | KNOB COMP., CHANGE LEVER | £243.38 | 1 |
| 2 | PFKL698491 | 54106S2A003 | HOLDER A, CHANGE BOOT | £9.84 | 1 |
| 3 | PFKL698513 | 54107S2A003 | HOLDER B, CHANGE BOOT | £6.77 | 1 |
| 4 | PFKL698535 | 54108S2A003 | BOOT A, CHANGE LEVER | £36.53 | 1 |
| 5 | PFKL698548 | 54109S2A013 | BOOT B, CHANGE LEVER | £23.25 | 1 |
| 6 | PFKL698587 | 54110S2A003 | SEAT, CHANGE LEVER BALL | £13.31 | 1 |
| 7 | PFKL698607 | 54111S2A003 | COVER, PIVOT | £2.90 | 1 |
| 8 | PFKL698642 | 54113S2A003 | BOOT C, CHANGE LEVER | £19.72 | 1 |
| 9 | PFKL698741 | 54117S2A003 | SPRING, LEVER PUSH | £7.58 | 1 |
| 10 | PFKL699374 | 54201S2A023 | LEVER SET, CHANGE | £0.00 | 1 |
| 11 | PFKL699515 | 54205S2A003 | HOUSING SET, CHANGE LEVER | £100.74 | 1 |
| 12 | PFKL802674 | 74699S2A000 | INSULATOR, CHANGE LEVER | £39.25 | 1 |
| 13 | PFKL990266 | 90310ST7Z00 | NUT, CHANGE LEVER FLANGE | £3.44 | 1 |
| 14 | PFKL1017303 | 934030601608 | BOLT-WASHER, 6X16 | £2.14 | 4 |
| 15 | PFKL1021700 | 9430108140 | DOWEL PIN, 8X14 | £2.97 | 2 |
| 16 | PFKL1028277 | 957010601608 | BOLT, FLANGE, 6X16 | £1.87 | 3 |
| 17 | PFKL1029063 | 958010603008 | BOLT, FLANGE, 6X30 | £2.14 | 4 |

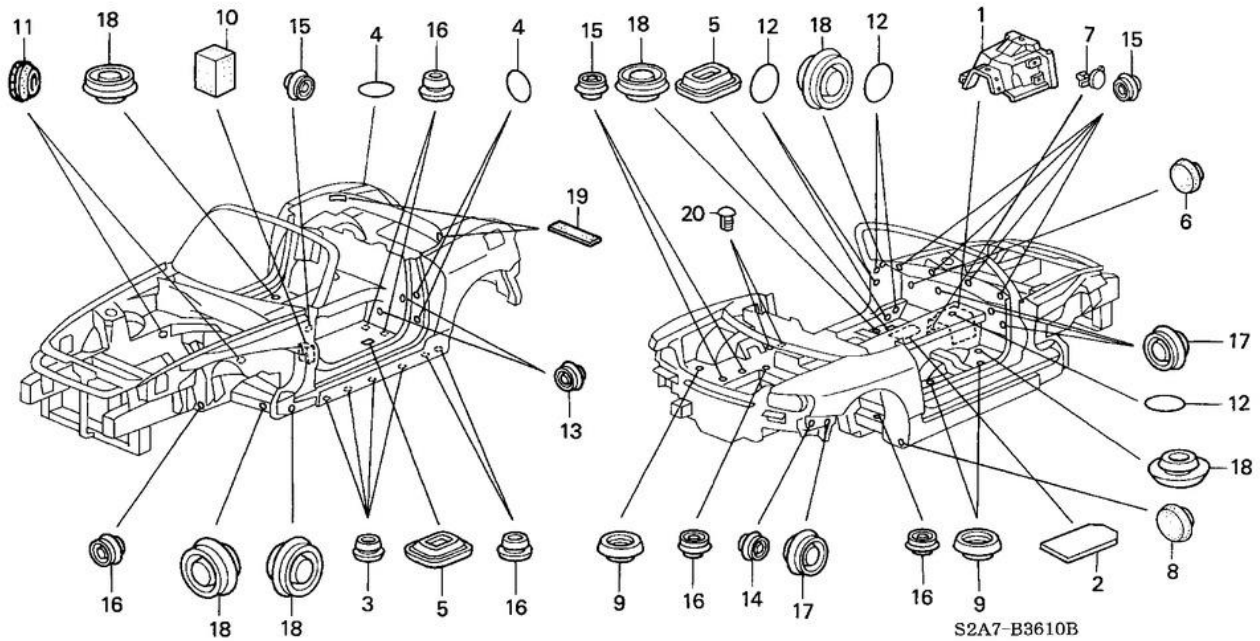
B-36 FLOOR MAT



| Ref | Part No | Honda Part No | Description | Price (Each) | Req Qty |
|-----|----------------------------|---------------|----------------------------|--------------|---------|
| 1 | PFKL800779 | 74255S2A000 | STOPPER, FOOTREST | £0.00 | 1 |
| 2 | PFKL800850 | 74260S2A010 | INSULATOR, DASHBOARD | £0.00 | 1 |
| 3 | PFKL802047 | 74535S2A000 | INSULATOR, ROLL BAR FRAME | £8.88 | 1 |
| 4 | PFKL802392 | 74621S2A010 | INSULATOR, R. TUNNEL SIDE | £0.00 | 1 |
| 5 | PFKL802397 | 74622S2A000 | INSULATOR, RR. TUNNEL SIDE | £0.00 | 2 |
| 6 | PFKL802626 | 74671S2A000 | INSULATOR, L. TUNNEL SIDE | £0.00 | 1 |
| 7 | PFKL911387 | 83301S2AE52ZB | MAT, CENTER FLOOR *NH167L* | £0.00 | 1 |
| 8 | PFKL911668 | 83302S2AE03ZF | MAT, R. FLOOR *YR344L* | £454.45 | 1 |
| 8 | PFKL911666 | 83302S2AE03ZC | MAT, R. FLOOR *B135L* | £0.00 | 1 |
| 8 | PFKL911670 | 83302S2AE04ZB | MAT, R. FLOOR *R145L* | £484.85 | 1 |
| 8 | PFKL911669 | 83302S2AE04ZA | MAT, R. FLOOR *NH167L* | £454.45 | 1 |
| 9 | PFKL911993 | 83310S2A000ZD | NET, TUNNEL SIDE *YR344L* | £0.00 | 1 |
| 9 | PFKL911992 | 83310S2A000ZC | NET, TUNNEL SIDE *R145L* | £0.00 | 1 |
| 9 | PFKL911991 | 83310S2A000ZB | NET, TUNNEL SIDE *B135L* | £0.00 | 1 |
| 9 | PFKL911990 | 83310S2A000ZA | NET, TUNNEL SIDE *NH167L* | £154.61 | 1 |
| 10 | PFKL912148 | 83352S2AE04ZA | MAT, L. FLOOR *NH167L* | £484.85 | 1 |
| 10 | PFKL912149 | 83352S2AE04ZB | MAT, L. FLOOR *R145L* | £454.42 | 1 |
| 10 | PFKL912145 | 83352S2AE03ZC | MAT, L. FLOOR *B135L* | £0.00 | 1 |
| 10 | PFKL912150 | 83352S2AE04ZF | MAT, L. FLOOR *YR344L* | £0.00 | 1 |
| 11 | PFKL940123 | 84201S2A901ZA | GARNISH, R. SIDE *NH167L* | £317.49 | 1 |
| 12 | PFKL940184 | 84202S2A010ZA | PLATE, FR. SIDE | £0.00 | 2 |
| 13 | PFKL940563 | 84251S2A901ZA | GARNISH, L. SIDE *NH167L* | £317.49 | 1 |
| 14 | PFKL941043 | 84410S2A003ZA | CLIP, TUNNEL SIDE *NH167L* | £4.84 | 4 |
| 14 | PFKL941044 | 84410S2A003ZB | CLIP, TUNNEL SIDE *R145L* | £0.00 | 4 |
| 14 | PFKL941045 | 84410S2A003ZC | CLIP, TUNNEL SIDE *B135L* | £4.84 | 4 |
| 14 | PFKL941046 | 84410S2A003ZE | CLIP, TUNNEL SIDE *YR344L* | £0.00 | 4 |
| 15 | PFKL983951 | 90121SJ6003 | BOLT, FLANGE, 6X14 | £0.00 | 1 |

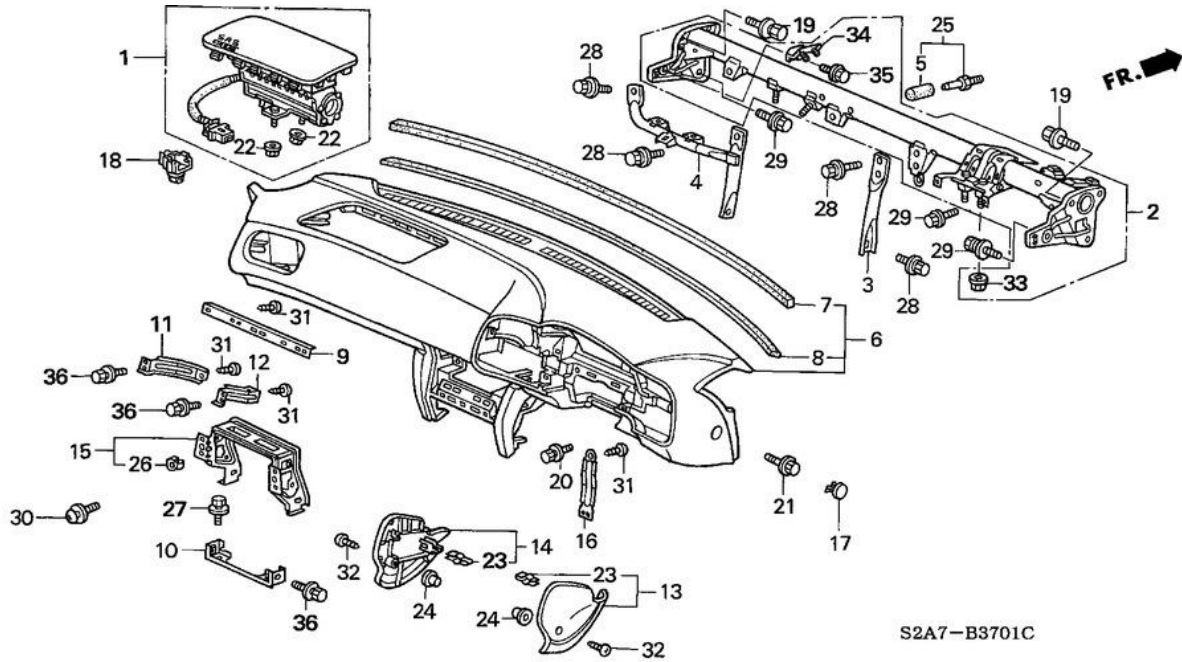
| | | | | | |
|----|-----------------------------|---------------|------------------------------|-------|----|
| 16 | PFKL988101 | 90194SL0000 | NUT, PUSH, 2.4MM | £5.83 | 4 |
| 17 | PFKL999043 | 90667S0D003ZQ | CLIP, TRIM, 7MM *B135L* | £3.74 | 11 |
| 17 | PFKL999038 | 90667S0D003ZJ | CLIP, TRIM, 7MM *R145L* | £3.74 | 11 |
| 17 | PFKL999037 | 90667S0D003ZH | CLIP, TRIM, 7MM *NH167L* | £3.74 | 11 |
| 17 | PFKL999030 | 90667S0D003YN | CLIP, TRIM, 7MM *YR344L* | £0.00 | 11 |
| 18 | PFKL999345 | 90672SL0003 | GROMMET, SCREW, 4MM | £4.99 | 4 |
| 19 | PFKL999469 | 90676SE0003 | CLIP, STEERING COVER | £3.85 | 4 |
| 20 | PFKL1013294 | 91560S04003 | CLIP, SIDE GARNISH (NATURAL) | £3.06 | 6 |
| 21 | PFKL1020344 | 9390144680 | SCREW, TAPPING, 4X25 | £1.44 | 4 |
| 22 | PFKL998537 | 90665SB2003ZQ | CLIP, TRIM, 7MM *NH167L* | £4.05 | 12 |
| 23 | PFKL999037 | 90667S0D003ZH | CLIP, TRIM, 7MM *NH167L* | £3.74 | 4 |
| 23 | PFKL998537 | 90665SB2003ZQ | CLIP, TRIM, 7MM *NH167L* | £4.05 | 4 |
| 24 | PFKL999037 | 90667S0D003ZH | CLIP, TRIM, 7MM *NH167L* | £3.74 | 5 |

B-36-10 GROMMET



| Ref | Part No | Honda Part No | Description | Price (Each) | Req Qty |
|-----|-----------------------------|---------------|-------------------------------------|--------------|---------|
| 1 | PFKL802653 | 74691S2A000 | INSULATOR, FR. FLOOR TUNNEL | £66.67 | 1 |
| 2 | PFKL802673 | 74698S2A000 | INSULATOR, FR. CHANGE LEVER | £0.00 | 1 |
| 3 | PFKL904555 | 82871671000 | GROMMET, DRAIN HOLE, 25MM | £5.81 | 12 |
| 4 | PFKL946033 | 85268SA0000 | PROTECTION, TAILGATE, 20MM (CIRCLE) | £6.64 | 6 |
| 5 | PFKL1001115 | 90810SB2660 | GROMMET, TIE DOWN, 20X35 | £7.90 | 4 |
| 7 | PFKL1011725 | 91501S3A000 | CLIP, INSULATOR | £0.00 | 7 |
| 8 | PFKL1014145 | 91603SK7000 | GROMMET, WAX HOLE, 25MM | £5.49 | 2 |
| 9 | PFKL1014231 | 91611SM4003 | PLUG, FLOOR HOLE, 25MM | £4.39 | 8 |
| 10 | PFKL1014303 | 91616S30000 | BLOCK, FR. INSIDE PANEL | £8.08 | 2 |
| 11 | PFKL1014324 | 91618SA5000 | GROMMET B, CONTROL WIRE, 16MM | £3.55 | 4 |
| 12 | PFKL1014529 | 91657SP0000 | SEAL C, DOOR PANEL HOLE (25MM) | £1.98 | 9 |
| 13 | PFKL1027815 | 9555007000 | PLUG, BLIND, 7MM | £2.88 | 2 |
| 14 | PFKL1027817 | 9555010000 | PLUG, BLIND, 10MM | £2.88 | 2 |
| 15 | PFKL1027825 | 9555111000 | PLUG, BLIND, 11MM | £3.60 | 8 |
| 16 | PFKL1027826 | 9555115000 | PLUG, BLIND, 15MM | £5.38 | 16 |
| 17 | PFKL1027827 | 9555120000 | PLUG, BLIND, 20MM | £5.38 | 4 |
| 18 | PFKL1027828 | 9555125000 | PLUG, BLIND, 25MM | £7.24 | 14 |
| 19 | PFKL801142 | 74308S2A000 | SEAL, RR. WINDSHIELD LOWER | £11.22 | 2 |

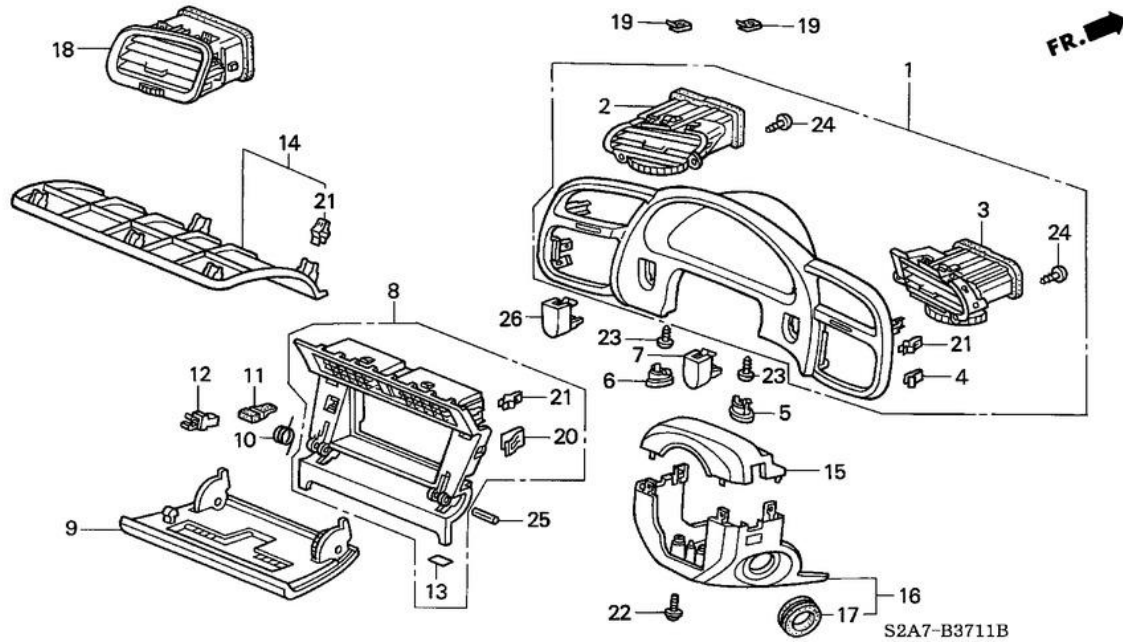
B-37-1 INSTRUMENT PANEL (RH)



| Ref | Part No | Honda Part No | Description | Price (Each) | Req Qty |
|-----|-----------------------------|---------------|-------------------------------------|--------------|---------|
| 1 | PFKL233610 | 06780S2AE81ZA | MODULE KIT, PASSENGER *NH167L* | £1,049.54 | 1 |
| 2 | PFKL720501 | 61310S2AE02ZZ | BEAM COMP., STEERING HANGER | £0.00 | 1 |
| 3 | PFKL720880 | 61312S2A000ZZ | PIPE, CENTER | £0.00 | 1 |
| 4 | PFKL721369 | 61330S2A000ZZ | BEAM COMP., PASSENGER SRS | £0.00 | 1 |
| 5 | PFKL755843 | 66844SA7000 | CAP, INSTRUMENT PANEL STAY | £7.43 | 3 |
| 6 | PFKL835199 | 77100S2A013ZA | PANEL ASSY., INSTRUMENT *NH167L* | £528.72 | 1 |
| 7 | PFKL836060 | 77106S2A010 | SEAL, INSTRUMENT FR. | £12.34 | 1 |
| 8 | PFKL836085 | 77107S2A000 | SEAL, INSTRUMENT DASHBOARD | £8.01 | 1 |
| 9 | PFKL836266 | 77111S2A000 | BRACKET, INSTRUMENT PASSENGER | £0.00 | 1 |
| 10 | PFKL836303 | 77113S2A000ZZ | BRACKET, CENTER JOINT | £11.87 | 1 |
| 11 | PFKL836345 | 77115S2A000ZZ | STAY A, INSTRUMENT PASSENGER | £0.00 | 1 |
| 12 | PFKL836359 | 77116S2A000ZZ | STAY B, INSTRUMENT PASSENGER | £0.00 | 1 |
| 13 | PFKL836445 | 77120S2A003ZA | COVER, R. FR. CONSOLE *NH167L* | £14.08 | 1 |
| 14 | PFKL836486 | 77125S2A003ZA | COVER, L. FR. CONSOLE *NH167L* | £14.08 | 1 |
| 15 | PFKL836933 | 77160S2A003ZZ | FRAME COMP., INSTRUMENT CENTER | £51.31 | 1 |
| 16 | PFKL839272 | 77205S30003ZZ | BRACKET, METER | £0.00 | 2 |
| 17 | PFKL841356 | 77218SL5A00ZA | LID, INSTRUMENT PANEL SIDE *NH167L* | £6.88 | 2 |
| 18 | PFKL854772 | 77982S9AN81 | HOLDER, COUPLER (2P) | £3.87 | 1 |
| 19 | PFKL981980 | 90110SV4000 | BOLT-WASHER, 8X21 | £7.51 | 2 |
| 20 | PFKL984924 | 90128SA7000 | BOLT-WASHER, 6X25 | £7.54 | 2 |
| 21 | PFKL988088 | 90192SL0000 | BOLT-WASHER, 6X25 | £0.60 | 2 |
| 22 | PFKL990524 | 90321SP0A80 | NUT-WASHER, 6MM | £2.25 | 3 |
| 23 | PFKL998737 | 90666S84A01 | CLIP, SNAP FITTING | £4.03 | 4 |
| 24 | PFKL999684 | 90681693000 | GROMMET, SCREW, 4MM | £3.08 | 2 |
| 25 | PFKL1000982 | 90770S30000 | PIN | £7.54 | 3 |
| 26 | PFKL1014453 | 91641SM4003 | GROMMET, SCREW, 4MM | £4.81 | 4 |
| 27 | PFKL1017386 | 934040601608 | BOLT-WASHER, 6X16 | £1.87 | 2 |

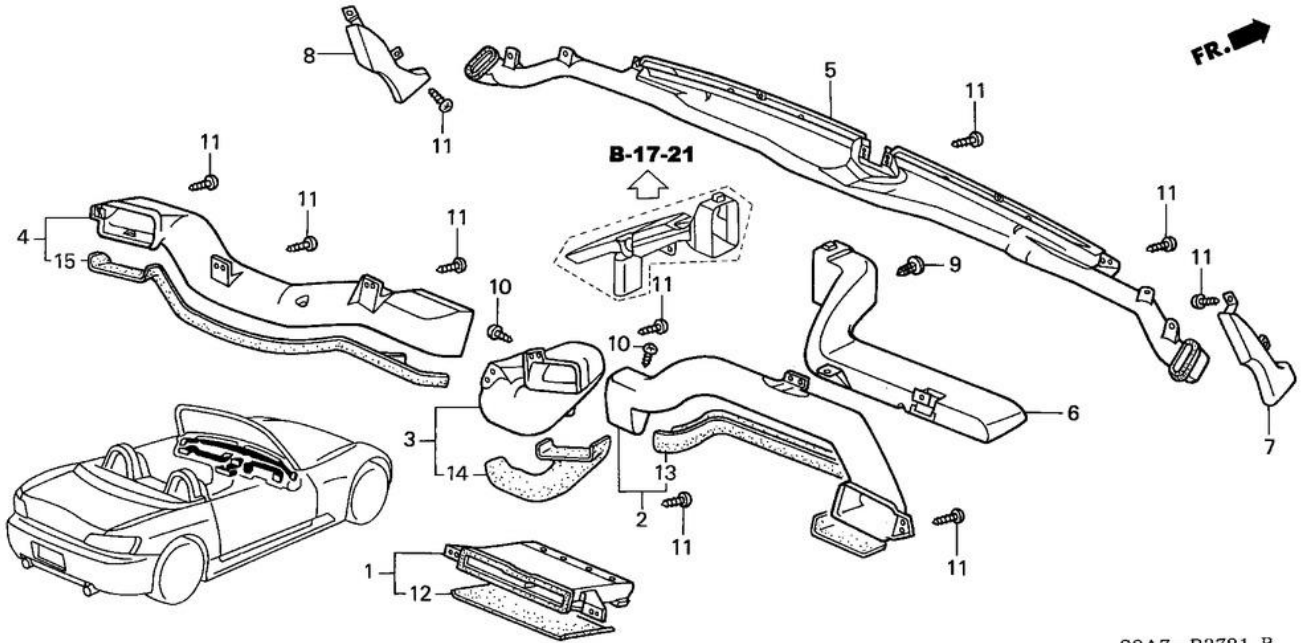
| | | | | | |
|----|-----------------------------|---------------|-------------------------------------|-------|----|
| 28 | PFKL1017504 | 934050801608 | BOLT-WASHER, 8X16 | £2.09 | 6 |
| 29 | PFKL1017509 | 934050802008 | BOLT-WASHER, 8X20 | £2.09 | 7 |
| 30 | PFKL1019650 | 938910601608 | SCREW-WASHER, 6X16 | £1.32 | 2 |
| 31 | PFKL1020813 | 9391314420 | SCREW, TAPPING, 4X16 (PO) | £1.44 | 10 |
| 32 | PFKL1020814 | 9391314480 | SCREW, TAPPING, 4X16 (PO) | £1.10 | 2 |
| 33 | PFKL990827 | 90361SR3000 | NUT, FLANGE, 8MM | £6.32 | 1 |
| 34 | PFKL721408 | 61354S2A000ZZ | BRACKET COMP., DRIVE BY WIRE DRIVER | £0.00 | 1 |
| 35 | PFKL1028254 | 957010601208 | BOLT, FLANGE, 6X12 | £1.87 | 1 |
| 36 | PFKL980428 | 90104S2A003 | BOLT-WASHER, 6X16 | £6.05 | 4 |

B-37-11 INSTRUMENT PANEL GARNISH (RH)



| Ref | Part No | Honda Part No | Description | Price (Each) | Req Qty |
|-----|-----------------------------|---------------|--|--------------|---------|
| 1 | PFKL838331 | 77200S2AJ02ZB | PANEL ASSY., METER *NH167L 1* | £262.13 | 1 |
| 2 | PFKL838863 | 77201S2A003ZC | OUTLET ASSY., L. DRIVER *NH167L 2* | £0.00 | 1 |
| 3 | PFKL838988 | 77202S2A003ZC | OUTLET ASSY., R. DRIVER *NH167L 2* | £0.00 | 1 |
| 4 | PFKL839049 | 77203S2A003 | CLIP, METER PANEL | £4.03 | 2 |
| 5 | PFKL839097 | 77204S2A003ZA | LID, R. METER PANEL *NH167L* | £11.60 | 1 |
| 6 | PFKL839353 | 77206S2A003ZA | LID, L. METER PANEL *NH167L* | £11.60 | 1 |
| 7 | PFKL839440 | 77208S2A003ZA | LID, R. SWITCH HOLE *NH167L* | £11.34 | 1 |
| 8 | PFKL844010 | 77251S2A902ZB | PANEL COMP., RADIO *NH167L* | £62.53 | 1 |
| 9 | PFKL844184 | 77252S2A902ZF | LID COMP., RADIO *NH647L* | £52.16 | 1 |
| 10 | PFKL844287 | 77254S2A901 | SPRING | £3.02 | 1 |
| 11 | PFKL844322 | 77255S2A003 | RUBBER, STOPPER | £4.19 | 2 |
| 12 | PFKL844349 | 77256S2A003 | LATCH | £7.71 | 1 |
| 13 | PFKL844369 | 77257S2A003 | CUSHION | £0.00 | 2 |
| 14 | PFKL846577 | 77320S2A003ZA | COVER ASSY., PASSENGER INSTRUMENT LOWER *NH167L* | £20.19 | 1 |
| 15 | PFKL847151 | 77350S2A003ZA | COVER, COLUMN UPPER *NH167L* | £25.94 | 1 |
| 16 | PFKL847525 | 77360S2AG01ZA | COVER ASSY., COLUMN LOWER *NH167L* | £38.02 | 1 |
| 17 | PFKL847666 | 77371SX0A00 | RING, COLUMN COVER | £11.41 | 1 |
| 18 | PFKL852057 | 77630S2A003ZB | OUTLET ASSY., PASSENGER *NH167L 1* | £0.00 | 1 |
| 19 | PFKL989319 | 90302SA4003 | NUT, SPRING, 4MM | £7.20 | 2 |
| 20 | PFKL998722 | 90666SM4003 | CLIP, SNAP FITTING | £3.67 | 2 |
| 21 | PFKL998737 | 90666S84A01 | CLIP, SNAP FITTING | £4.03 | 15 |
| 22 | PFKL1019568 | 938910501208 | SCREW-WASHER, 5X12 | £1.51 | 3 |
| 23 | PFKL1020806 | 9391314280 | SCREW, TAPPING, 4X12 (PO) | £1.44 | 2 |
| 24 | PFKL1020840 | 9391324120 | SCREW, TAPPING, 4X10 | £1.44 | 4 |
| 25 | PFKL1021810 | 9430530162 | PIN, SPRING, 3X16 | £2.09 | 2 |

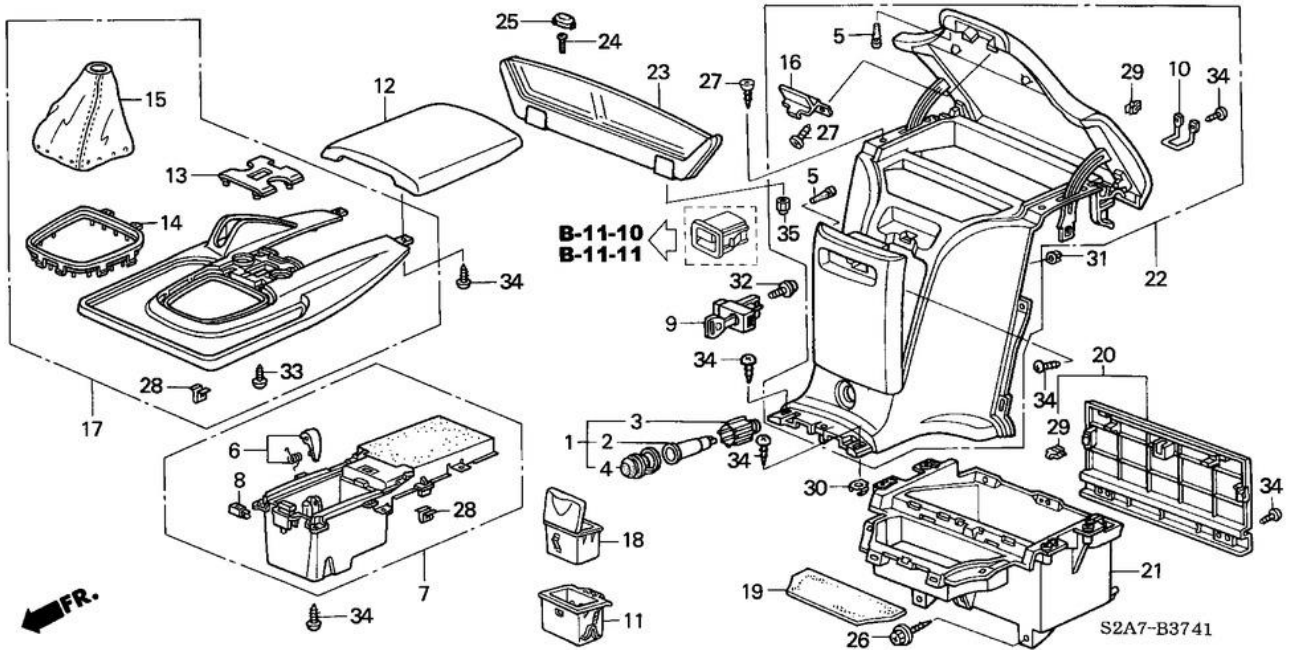
B-37-21 DUCT (RH)



S2A7-B3721 B

| Ref | Part No | Honda Part No | Description | Price (Each) | Req Qty |
|-----|-----------------------------|---------------|------------------------------------|--------------|---------|
| 1 | PFKL847827 | 77410S2A013 | DUCT ASSY., CENTER AIR CONDITIONER | £0.00 | 1 |
| 2 | PFKL847940 | 77420S2A013 | DUCT, DRIVER OUTSIDE | £0.00 | 1 |
| 3 | PFKL848070 | 77425S2A013 | DUCT, DRIVER INSIDE | £0.00 | 1 |
| 4 | PFKL848197 | 77430S2A013 | DUCT, PASSENGER AIR CONDITIONER | £0.00 | 1 |
| 5 | PFKL848785 | 77460S2A003 | DUCT, FR. DEFROSTER | £0.00 | 1 |
| 6 | PFKL866163 | 79891S2A003 | OUTLET, HEATER DRIVER | £41.66 | 1 |
| 7 | PFKL937322 | 84104S2A000 | DUCT, R. SIDE DEFROSTER | £0.00 | 1 |
| 8 | PFKL939094 | 84154S2A000 | DUCT, L. SIDE DEFROSTER | £0.00 | 1 |
| 9 | PFKL998053 | 90654SA5003 | CLIP, JOINT COVER | £3.71 | 1 |
| 10 | PFKL1020800 | 9391314120 | SCREW, TAPPING, 4X10 | £1.44 | 4 |
| 11 | PFKL1020813 | 9391314420 | SCREW, TAPPING, 4X16 (PO) | £1.44 | 0 |
| 12 | PFKL847844 | 77412S2A003 | SEAL B | £0.00 | 1 |
| 13 | PFKL848053 | 77421S2A003 | SEAL | £0.00 | 1 |
| 14 | PFKL848073 | 77426S2A003 | SEAL | £0.00 | 1 |
| 15 | PFKL848356 | 77431S2A003 | SEAL | £0.00 | 1 |

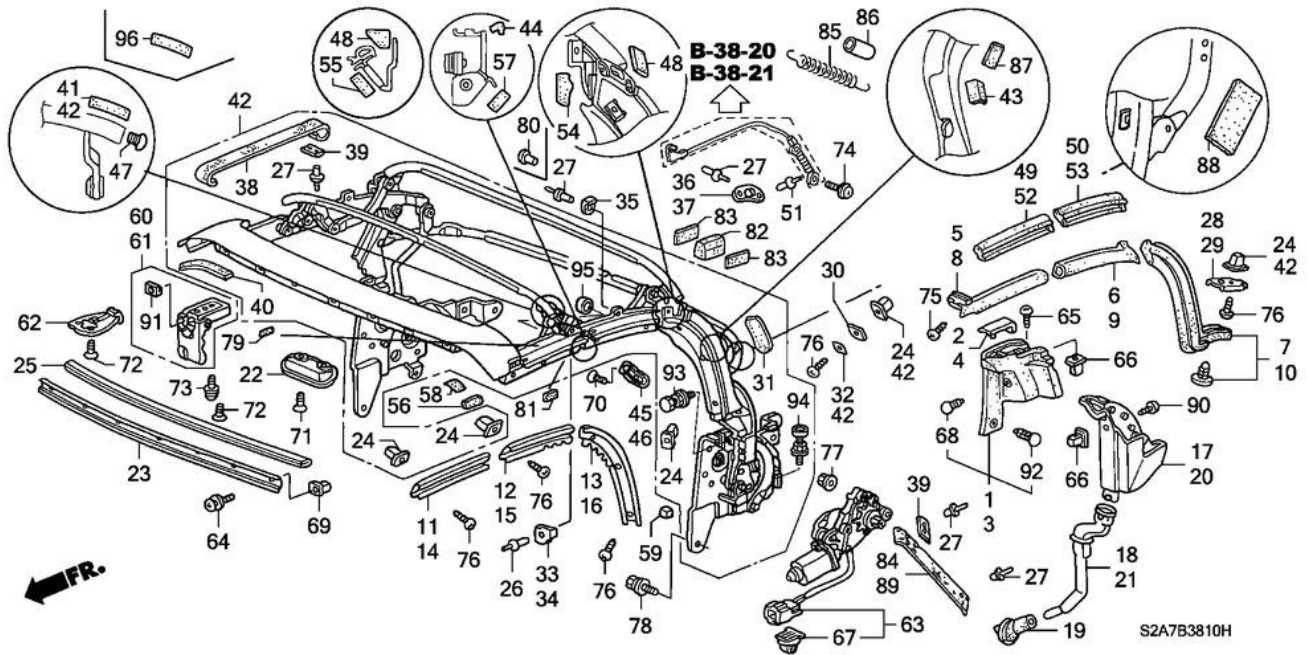
B-37-41 CONSOLE ('04-)



| Ref | Part No | Honda Part No | Description | Price (Each) | Req Qty |
|-----|-----------------------------|---------------|--|--------------|---------|
| 1 | PFKL570649 | 39600S10A01 | SOCKET ASSY., ACCESSORY | £56.08 | 1 |
| 2 | PFKL570888 | 39620S01A01 | SOCKET, ACCESSORY | £45.59 | 1 |
| 3 | PFKL570920 | 39621S01A01 | COVER, SOCKET | £12.62 | 1 |
| 4 | PFKL570931 | 39623S10A01 | CAP, SOCKET | £10.59 | 1 |
| 5 | PFKL754692 | 66418SA5000 | STOPPER, GLOVE BOX LID | £4.79 | 4 |
| 6 | PFKL2030634 | 77231S2AA52ZA | SEPARATOR SET *NH167L* | £13.19 | 1 |
| 7 | PFKL2030635 | 77232S2AA52ZC | CUP HOLDER SET *NH167L 2* | £299.05 | 1 |
| 8 | PFKL843408 | 77236S2AA51 | LATCH | £8.75 | 1 |
| 9 | PFKL850188 | 77540S2A901ZA | LOCK ASSY., RR. CONSOLE *NH167L* | £56.49 | 1 |
| 10 | PFKL850262 | 77542S2A003 | STRIKER, RR. CONSOLE | £0.00 | 1 |
| 11 | PFKL853072 | 77720S2A000ZA | CASE COMP., ASHTRAY *NH167L* | £56.64 | 1 |
| 12 | PFKL912518 | 83402S2AJ63ZA | ARMREST, CENTER CONSOLE (LEATHER) *NH167L* | £272.06 | 1 |
| 13 | PFKL912635 | 83403S2AE51ZD | PANEL, CENTER CONSOLE SWITCH *NH646L* | £0.00 | 1 |
| 14 | PFKL913270 | 83413S2AJ51ZA | GARNISH, CHANGE LEVER BOOT *NH167L* | £27.72 | 1 |
| 15 | PFKL913341 | 83414S2AJ51ZA | BOOT, CHANGE LEVER *NH167L* | £0.00 | 1 |
| 16 | PFKL913383 | 83415S30003 | KNOB, ARMREST | £0.00 | 1 |
| 17 | PFKL913503 | 83420S2AE51ZC | CONSOLE SET, CENTER *NH167L 2* | £0.00 | 1 |
| 18 | PFKL914702 | 83480S3N003ZH | ASHTRAY ASSY., L. RR. DOOR LINING *NH167L* | £46.49 | 1 |
| 19 | PFKL942795 | 84554S2A000 | MAT, UPPER RR. CONSOLE | £10.15 | 1 |
| 20 | PFKL942810 | 84556S2A003ZA | BOARD ASSY., RR. CONSOLE BACK *NH167L* | £35.55 | 1 |
| 21 | PFKL942814 | 84560S2A003ZA | BOX, RR. CONSOLE *NH167L* | £105.63 | 1 |
| 22 | PFKL942859 | 84570S2AA01ZA | CONSOLE SET, RR. *NH167L* | £261.53 | 1 |
| 23 | PFKL942912 | 84580S2AA00ZA | SCREEN ASSY., AERO *NH167L* | £684.02 | 1 |
| 24 | PFKL942915 | 84581S2AA00 | BOLT, TRUSS 5X20 | £7.11 | 2 |
| 25 | PFKL942918 | 84582S2AA00ZA | CAP, TAPPING SCREW *NH167L* | £8.44 | 2 |
| 26 | PFKL985579 | 90134S30003 | SCREW, EARTH, 5X18 | £3.76 | 4 |
| 27 | PFKL986077 | 90144SP0000 | SCREW, TAPPING, 4X16 (PO) | £3.92 | 6 |

| | | | | | |
|----|-----------------------------|--------------|---------------------------|-------|---|
| 28 | PFKL997317 | 90610SR3003 | CLIP, GARNISH (KATO) | £3.06 | 6 |
| 29 | PFKL998737 | 90666S84A01 | CLIP, SNAP FITTING | £4.03 | 5 |
| 30 | PFKL1014444 | 91640SM4003 | GROMMET, SCREW, 4MM | £4.81 | 2 |
| 31 | PFKL1014453 | 91641SM4003 | GROMMET, SCREW, 4MM | £4.81 | 1 |
| 32 | PFKL1019525 | 938910401207 | SCREW-WASHER, 4X12 | £1.51 | 1 |
| 33 | PFKL1020806 | 9391314280 | SCREW, TAPPING, 4X12 (PO) | £1.44 | 4 |
| 34 | PFKL1020814 | 9391314480 | SCREW, TAPPING, 4X16 (PO) | £1.10 | 0 |
| 35 | PFKL1021173 | 94021050700S | NUT, CAP, 5MM | £1.51 | 2 |

B-38-10 SOFT TOP FRAME

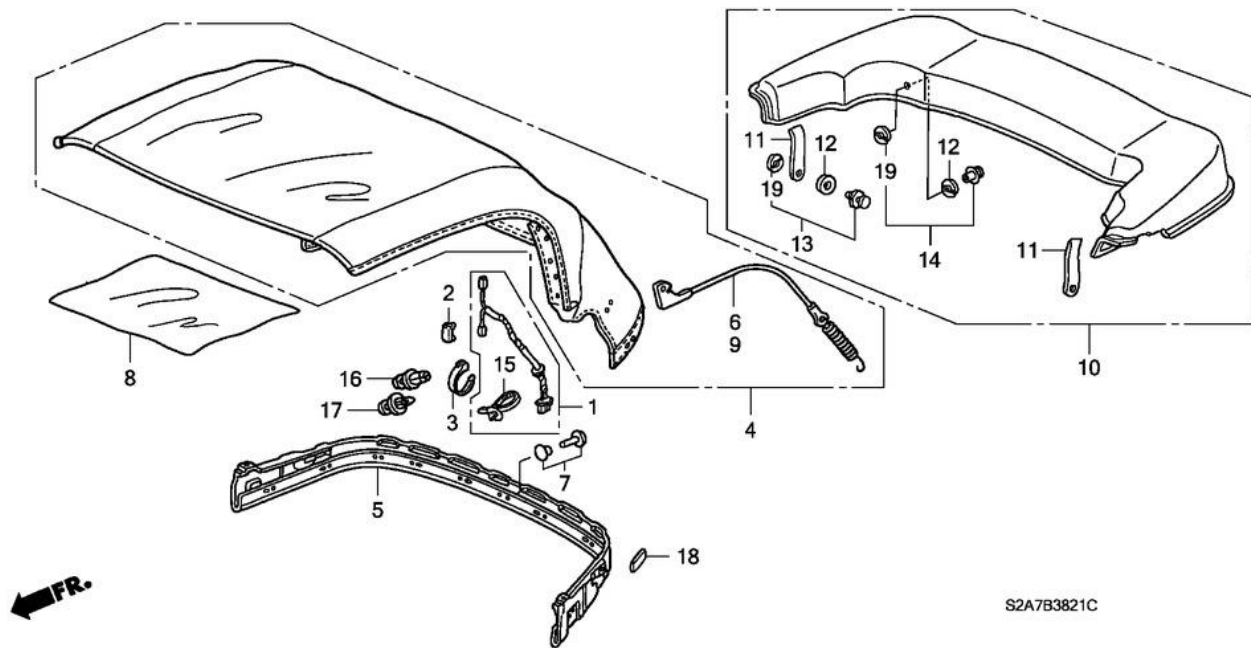


| Ref | Part No | Honda Part No | Description | Price (Each) | Req Qty |
|-----|----------------------------|---------------|--|--------------|---------|
| 1 | PFKL783781 | 72311S2A003 | WEATHERSTRIP, R. CENTER PILLAR OUTER | £106.42 | 1 |
| 2 | PFKL783797 | 72313S2A003 | CAP, R. WEATHERSTRIP CENTER PILLAR OUTER | £8.96 | 1 |
| 3 | PFKL784575 | 72351S2A003 | WEATHERSTRIP, L. CENTER PILLAR OUTER | £99.70 | 1 |
| 4 | PFKL784584 | 72353S2A003 | CAP, L. WEATHERSTRIP CENTER PILLAR OUTER | £8.96 | 1 |
| 5 | PFKL785135 | 72381S2A013 | WEATHERSTRIP, R. ROOF SIDE DOOR | £52.74 | 1 |
| 6 | PFKL785144 | 72382S2A013 | WEATHERSTRIP, R. ROOF CORNER DOOR | £65.86 | 1 |
| 7 | PFKL785149 | 72383S2A013 | WEATHERSTRIP, R. CENTER PILLAR | £86.16 | 1 |
| 8 | PFKL785177 | 72391S2A013 | WEATHERSTRIP, L. ROOF SIDE DOOR | £52.74 | 1 |
| 9 | PFKL785180 | 72392S2A013 | WEATHERSTRIP, L. ROOF CORNER DOOR | £65.86 | 1 |
| 10 | PFKL785183 | 72393S2A013 | WEATHERSTRIP, L. CENTER PILLAR | £86.16 | 1 |
| 11 | PFKL785427 | 72421S2A013 | RETAINER, R. ROOF | £51.17 | 1 |
| 12 | PFKL785431 | 72422S2A013 | RETAINER, R. ROOF CORNER | £51.17 | 1 |
| 13 | PFKL785434 | 72423S2A013 | RETAINER, R. CENTER PILLAR | £56.29 | 1 |
| 14 | PFKL785774 | 72461S2A013 | RETAINER, L. ROOF | £49.20 | 1 |
| 15 | PFKL785795 | 72462S2A013 | RETAINER, L. ROOF CORNER | £49.20 | 1 |
| 16 | PFKL785800 | 72463S2A013 | RETAINER, L. CENTER PILLAR | £54.14 | 1 |
| 17 | PFKL804438 | 74867S2A013 | TANK ASSY., R. DRAIN | £88.79 | 1 |
| 18 | PFKL804443 | 74868S2A003 | PIPE, R. DRAIN LOWER | £0.00 | 1 |
| 19 | PFKL804445 | 74869S2A000 | PLUG, DRAIN | £7.12 | 2 |
| 20 | PFKL804628 | 74877S2A013 | TANK ASSY., L. DRAIN | £88.79 | 1 |
| 21 | PFKL804629 | 74878S2A003 | PIPE, L. DRAIN LOWER | £0.00 | 1 |
| 22 | PFKL947156 | 86001S2A003 | HANDLE, SOFT TOP | £14.51 | 1 |
| 23 | PFKL947157 | 86002S2A003 | PLATE, HOLDER SOFT TOP | £15.59 | 1 |
| 24 | PFKL947158 | 86003S2A003 | SCREW, GROMMET, 4MM | £3.76 | 20 |
| 25 | PFKL947159 | 86004S2A003 | TRIM, SOFT TOP | £13.33 | 1 |
| 26 | PFKL947160 | 86005S2A003 | RIVET | £3.33 | 2 |
| 27 | PFKL947161 | 86006S2A003 | RIVET | £3.33 | 14 |

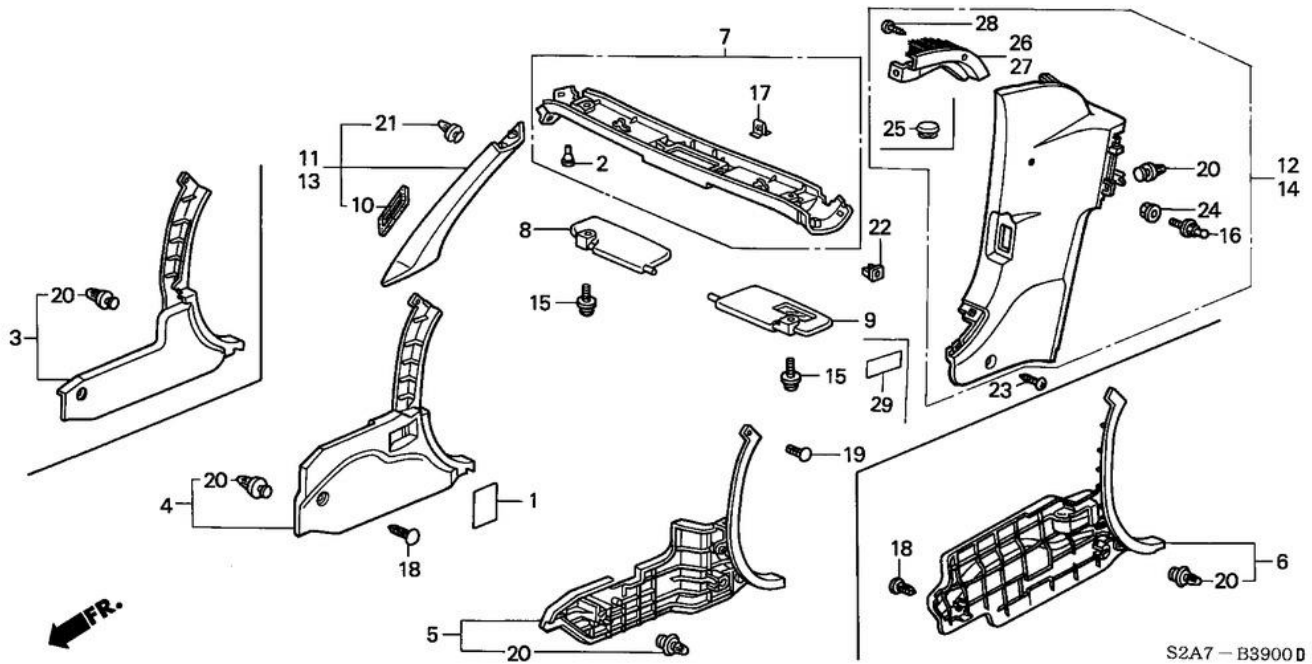
| | | | | | |
|----|-----------------------------|--------------|-------------------------------|-----------|---|
| 28 | PFLK947162 | 86007S2A003 | PLATE A, R. SET | £2.39 | 1 |
| 29 | PFLK947163 | 86008S2A003 | PLATE A, L. SET | £2.39 | 1 |
| 30 | PFLK947164 | 86009S2A003 | PLATE B, SET | £4.10 | 2 |
| 31 | PFLK947165 | 86010S2A003 | SILENCER | £0.00 | 2 |
| 32 | PFLK947167 | 86011S2A013 | TAPE, SEAL | £3.49 | 2 |
| 33 | PFLK947168 | 86012S2A003 | STOPPER C, R. LINK | £5.17 | 1 |
| 34 | PFLK947169 | 86013S2A003 | STOPPER C, L. LINK | £5.17 | 1 |
| 35 | PFLK947171 | 86014S2A013 | STOPPER B, LINK | £6.19 | 2 |
| 36 | PFLK947173 | 86015S2A033 | GUIDE, R. CABLE | £0.00 | 1 |
| 37 | PFLK947175 | 86016S2A033 | GUIDE, L. CABLE | £0.00 | 1 |
| 38 | PFLK947179 | 86020S2AJ01 | BAND | £19.49 | 2 |
| 39 | PFLK947181 | 86021S2A003 | BAND SET, PLATE | £4.16 | 4 |
| 40 | PFLK947183 | 86022S2A003 | TAPE | £4.10 | 2 |
| 41 | PFLK947184 | 86023S2A003 | TRIM, COVER | £3.44 | 2 |
| 42 | PFLK947185 | 86024S2AJ01 | FRAME COMP. | £2,125.06 | 1 |
| 43 | PFLK947188 | 86025S2AJ02 | TAPE, PROTECTION | £11.77 | 2 |
| 44 | PFLK947190 | 86026S2A003 | TAPE A, SEAL | £3.49 | 2 |
| 45 | PFLK947191 | 86027S2A003 | COVER, R. FR. BOW | £0.00 | 1 |
| 46 | PFLK947192 | 86028S2A003 | COVER, L. FR. BOW | £0.00 | 1 |
| 47 | PFLK947193 | 86029S2A003 | CAP, END | £7.22 | 2 |
| 48 | PFLK947194 | 86030S2A003 | TAPE B, SEAL | £3.49 | 4 |
| 49 | PFLK947196 | 86031S2A013 | PROTECTOR, R. SOFT TOP ROOF A | £32.27 | 1 |
| 50 | PFLK947198 | 86032S2A013 | PROTECTOR, R. SOFT TOP ROOF B | £52.46 | 1 |
| 51 | PFLK947199 | 86033S2A003 | RIVET | £3.33 | 4 |
| 52 | PFLK947201 | 86036S2A013 | PROTECTOR, L. SOFT TOP ROOF A | £32.27 | 1 |
| 53 | PFLK947203 | 86037S2A013 | PROTECTOR, L. SOFT TOP ROOF B | £52.46 | 1 |
| 54 | PFLK947204 | 86040S2A003 | SEAL, TAPE (C) | £8.01 | 2 |
| 55 | PFLK947205 | 86041S2A003 | SEAL, TAPE (D) | £8.01 | 2 |
| 56 | PFLK947206 | 86042S2A003 | SEAL, TAPE (E) | £8.01 | 2 |
| 57 | PFLK947207 | 86043S2A003 | SEAL, TAPE (F) | £8.01 | 2 |
| 58 | PFLK947208 | 86044S2A003 | SEAL, TAPE (G) | £8.01 | 2 |
| 60 | PFLK947334 | 86250S2AJ01 | LOCK ASSY., R. HANDLE | £202.00 | 1 |
| 61 | PFLK947338 | 86260S2AJ01 | LOCK ASSY., L. HANDLE | £202.00 | 1 |
| 62 | PFLK947345 | 86270S2A902 | STRIKER ASSY., HARD TOP | £47.85 | 0 |
| 62 | PFLK947341 | 86270S2AJ01 | STRIKER, SOFT TOP | £47.85 | 2 |
| 63 | PFLK947401 | 86400S2A003 | MOTOR, SOFT TOP | £376.26 | 2 |
| 64 | PFLK982834 | 90114S2A000 | SCREW, TAPPING, 4X12(BLACK) | £3.26 | 7 |
| 65 | PFLK985755 | 90137SD2003 | SCREW, TAPPING, 4X12 (SUS) | £5.85 | 2 |
| 66 | PFLK1011828 | 91503SK7013 | GROMMET, SCREW (4MM) | £4.59 | 4 |
| 67 | PFLK1012516 | 91533S04003 | CLIP, COUPLER (NATURAL) | £2.63 | 2 |
| 68 | PFLK1013511 | 91567SR2013 | CLIP | £3.35 | 2 |
| 69 | PFLK1014175 | 91605S2A003 | GROMMET, SCREW (M4) | £3.26 | 9 |
| 70 | PFLK1018970 | 93600040080G | SCREW, FLAT, 4X8 | £1.44 | 2 |
| 71 | PFLK1019075 | 93600060120G | SCREW, FLAT, 6X12 | £1.51 | 2 |
| 72 | PFLK1019091 | 93600060160G | SCREW, FLAT, 6X16 | £1.51 | 6 |
| 73 | PFLK985284 | 90131S0XA00 | SCREW, TRUSS, 6X16 | £3.28 | 2 |

| | | | | | |
|----|-----------------------------|--------------|------------------------------|--------|----|
| 74 | PFKL1020085 | 938940601007 | SCREW-WASHER, 6X10 | £1.46 | 2 |
| 75 | PFKL1020629 | 93903443G0 | SCREW, TAPPING, 4X12 | £2.09 | 2 |
| 76 | PFKL1020630 | 93903443J0 | SCREW, TAPPING, 4X12 | £2.09 | 20 |
| 77 | PFKL1021317 | 9405006000 | NUT, FLANGE, 6MM | £2.30 | 6 |
| 78 | PFKL1017186 | 934010801608 | BOLT-WASHER, 8X16 | £1.85 | 10 |
| 79 | PFKL947210 | 86047S2A003 | TAPE, PROTECTION | £11.77 | 2 |
| 80 | PFKL947211 | 86048S2A003 | RIVET | £3.33 | 2 |
| 81 | PFKL947212 | 86049S2A003 | TAPE (BUTYL) | £3.44 | 2 |
| 82 | PFKL947402 | 86445S2A000 | RUBBER, SOFT TOP LINK SPACER | £13.04 | 0 |
| 84 | PFKL947213 | 86050S2AJ01 | BAND A, R. | £19.49 | 1 |
| 85 | PFKL947214 | 86051S2AJ01 | SPRING A | £14.30 | 2 |
| 86 | PFKL947215 | 86052S2AJ01 | COVER, SPRING | £11.36 | 2 |
| 87 | PFKL947218 | 86054S2AJ02 | TAPE C, PROTECTION | £7.67 | 2 |
| 88 | PFKL947219 | 86055S2AJ01 | TAPE D, PROTECTION | £7.67 | 2 |
| 89 | PFKL947220 | 86056S2AJ01 | BAND A, L. | £19.49 | 1 |
| 90 | PFKL985755 | 90137SD2003 | SCREW, TAPPING, 4X12 (SUS) | £5.85 | 2 |
| 91 | PFKL947337 | 86251S2A901 | RUBBER | £4.45 | 2 |
| 92 | PFKL1013517 | 91567S2A003 | CLIP B | £3.01 | 2 |
| 93 | PFKL947222 | 86105S2A003 | STOPPER ASSY., LINK | £0.00 | 2 |
| 94 | PFKL947223 | 86106S2A003 | STOPPER ASSY., LINK | £21.27 | 2 |
| 95 | PFKL947224 | 86107S2A003 | CAP, STOPPER | £0.00 | 2 |

B-38-21 SOFT TOP CLOTH ('02-)



| Ref | Part No | Honda Part No | Description | Price (Each) | Req Qty |
|-----|-----------------------------|---------------|---------------------------------------|--------------|---------|
| 1 | PFKL482620 | 32119S2A000 | SUB CORD, RR. DEFROSTER | £72.34 | 1 |
| 2 | PFKL792902 | 73223S2AJ01 | COVER, RR. WINDSHIELD HARNESS HOLDER | £5.67 | 1 |
| 3 | PFKL947216 | 86053S2AJ01 | BAND | £8.30 | 1 |
| 4 | PFKL947356 | 86310S2AJ03 | CLOTH ASSY., TOP (GLASS) (BLACK) | £1,806.11 | 1 |
| 4 | PFKL947359 | 86310S2AN03 | CLOTH ASSY., TOP (GLASS) (BLUE) | £1,806.10 | 0 |
| 5 | PFKL947369 | 86314S2A003 | RAIN RAIL, SOFT TOP | £227.95 | 1 |
| 6 | PFKL947375 | 86319S2AJ01 | WIRE, R. TENSION | £29.07 | 1 |
| 7 | PFKL947377 | 86320S2A003 | RIVET (SERVICE) | £8.78 | 0 |
| 8 | PFKL947379 | 86321S2A003 | CLOTH, TOP (300X300)(BLACK) (SERVICE) | £38.71 | 0 |
| 8 | PFKL2796832 | 86321S2AN02 | CLOTH, TOP (300X300)(BLUE) (SERVICE) | £0.00 | 0 |
| 9 | PFKL947381 | 86329S2AJ01 | WIRE, L. TENSION | £29.07 | 1 |
| 10 | PFKL947395 | 86380S2A902 | COVER, SOFT TOP | £754.96 | 1 |
| 11 | PFKL947398 | 86381S2A901 | STRAP | £0.00 | 2 |
| 12 | PFKL947400 | 86385S2A000 | WASHER, SLIDING | £2.93 | 4 |
| 13 | PFKL990463 | 90316S2A000 | HOOK, FEMALE (COVER) | £26.06 | 2 |
| 14 | PFKL990475 | 90318S2A000 | HOOK, FEMALE LONG | £41.29 | 2 |
| 15 | PFKL1012610 | 91541S0A003 | CLIP, HARNESS BAND (BLACK) (145MM) | £3.29 | 1 |
| 16 | PFKL1012639 | 91545SE0003 | CLIP ASSY., 8MM | £6.28 | 2 |
| 17 | PFKL1012282 | 91517SJ8003 | PIN, CLIP, 8.5MM | £3.73 | 2 |
| 18 | PFKL947221 | 86056S2A000 | TAPE, SEAL (J) | £4.01 | 2 |
| 19 | PFKL947399 | 86383S2A901 | WASHER | £0.00 | 4 |

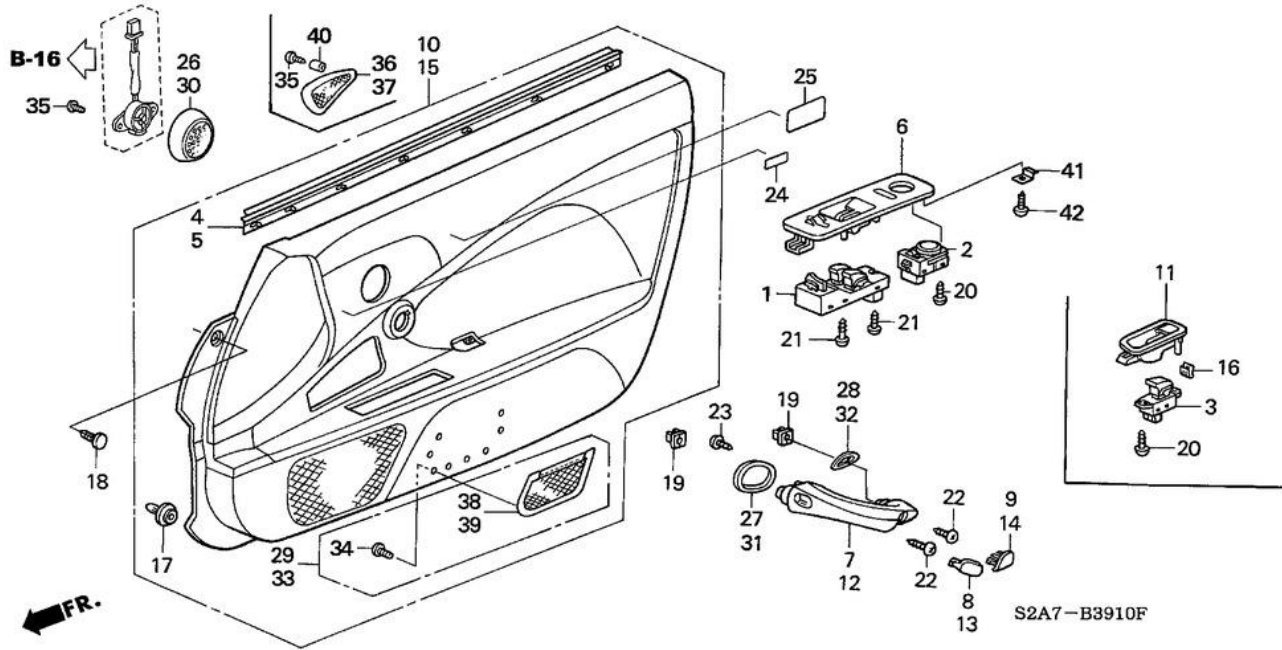


S2A7 - B3900 D

| Ref | Part No | Honda Part No | Description | Price (Each) | Req Qty |
|-----|-----------------------------|---------------|---------------------------------------|--------------|---------|
| 1 | PFKL557543 | 38205S2AJ00 | LABEL, FUSE | £7.24 | 1 |
| 2 | PFKL754700 | 66418579000 | STOPPER, GLOVE BOX LID | £6.50 | 2 |
| 4 | PFKL905396 | 83113S2AJ00ZA | LINING, R. COWL SIDE *NH167L* | £59.22 | 1 |
| 5 | PFKL906068 | 83161S2AE00ZA | LINING, L. COWL SIDE *NH167L* | £0.00 | 1 |
| 7 | PFKL907341 | 83205S2A000ZA | GARNISH ASSY., FR. ROOF RAIL *NH167L* | £113.63 | 1 |
| 8 | PFKL908506 | 83230S2AE00ZA | SUNVISOR ASSY., R. *NH167L* | £105.98 | 1 |
| 9 | PFKL910269 | 83280S2AE00ZA | SUNVISOR ASSY., L. (MIRROR) *NH167L* | £140.12 | 1 |
| 10 | PFKL937279 | 84102S2A000 | SEAL A | £8.98 | 2 |
| 11 | PFKL937304 | 84103S2A000ZA | GARNISH SET, R. FR. PILLAR *NH167L* | £66.88 | 1 |
| 12 | PFKL938708 | 84141S2A010ZA | GARNISH, R. RR. SIDE *NH167L* | £103.29 | 1 |
| 13 | PFKL939090 | 84153S2A000ZA | GARNISH SET, L. FR. PILLAR *NH167L* | £66.88 | 1 |
| 14 | PFKL939908 | 84191S2AJ00ZA | GARNISH, L. RR. SIDE *NH167L* | £103.29 | 0 |
| 14 | PFKL939912 | 84191S2A010ZA | GARNISH, L. RR. SIDE *NH167L* | £0.00 | 1 |
| 15 | PFKL985406 | 90132S2A000 | SCREW-WASHER, 5X20 | £4.61 | 2 |
| 16 | PFKL990472 | 90317S2A003 | HOOK, MALE | £12.15 | 2 |
| 17 | PFKL997320 | 90610SX0003 | CLIP, GARNISH | £3.82 | 2 |
| 18 | PFKL999037 | 90667S0D003ZH | CLIP, TRIM, 7MM *NH167L* | £3.74 | 1 |
| 19 | PFKL1011877 | 91504SD5901 | CLIP, WASHER MOUTH | £2.77 | 2 |
| 20 | PFKL1013292 | 91560SZ3003 | CLIP, DOOR LINING (NATURAL) | £4.23 | 5 |
| 21 | PFKL1013306 | 91560S84A11 | CLIP, PILLAR GARNISH (BLACK) | £4.73 | 4 |
| 22 | PFKL1014453 | 91641SM4003 | GROMMET, SCREW, 4MM | £4.81 | 2 |
| 23 | PFKL1020814 | 9391314480 | SCREW, TAPPING, 4X16 (PO) | £1.10 | 2 |
| 24 | PFKL1021317 | 9405006000 | NUT, FLANGE, 6MM | £2.30 | 2 |
| 25 | PFKL907270 | 83201SS0000ZB | CAP, SUNROOF MAINTENANCE *NH167L* | £3.89 | 1 |
| 26 | PFKL938735 | 84142S2A000 | BRUSH COMP., R. | £49.72 | 1 |
| 27 | PFKL939935 | 84192S2A000 | BRUSH COMP., L. | £49.72 | 1 |
| 28 | PFKL1020806 | 9391314280 | SCREW, TAPPING, 4X12 (PO) | £1.44 | 4 |

| | | | | | |
|----|----------------------------|-------------|-----------------------------|--------|---|
| 29 | PFKL761214 | 69313S2AG00 | LABEL, HARD TOP INFORMATION | £11.73 | 0 |
|----|----------------------------|-------------|-----------------------------|--------|---|

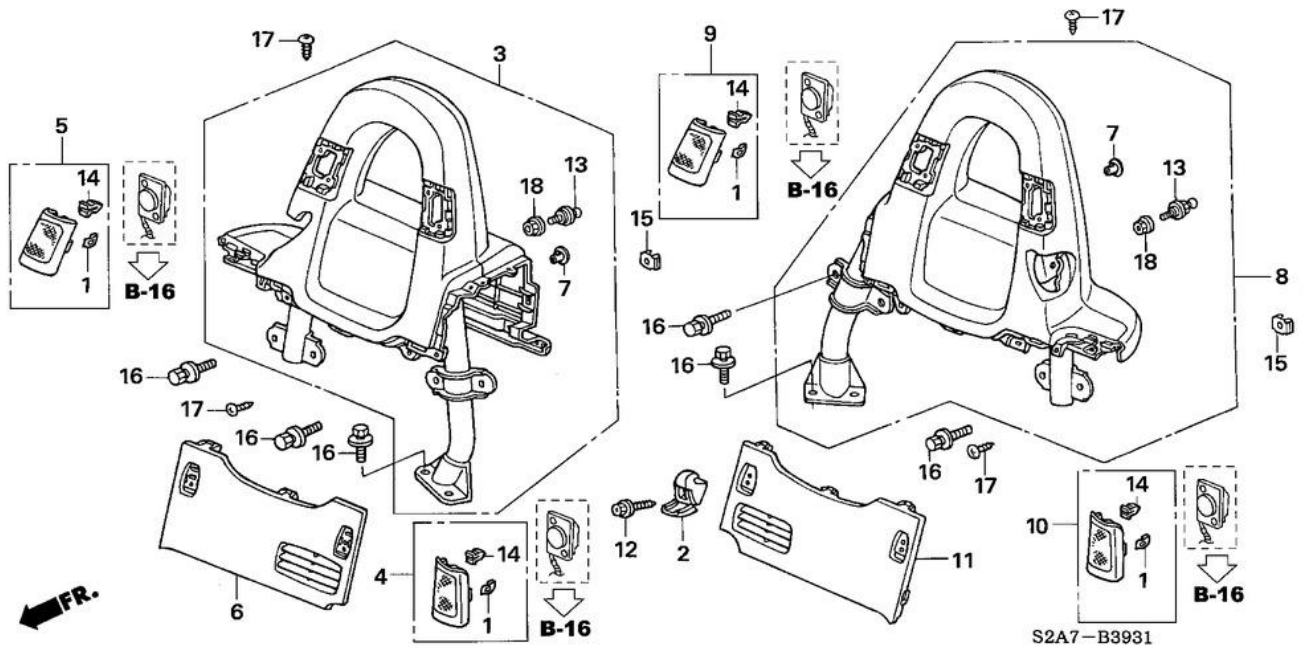
B-39-10 DOOR LINING



| Ref | Part No | Honda Part No | Description | Price (Each) | Req Qty |
|-----|-----------------------------|---------------|--|--------------|---------|
| 1 | PFKL534461 | 35750S2AJ02 | SWITCH ASSY., POWER WINDOW MASTER | £268.31 | 1 |
| 2 | PFKL534629 | 35753SR2003 | SWITCH COMP., REMOTE CONTROL MIRROR | £173.98 | 1 |
| 3 | PFKL534968 | 35760S2A003 | SUB SWITCH ASSY., POWER WINDOW | £126.43 | 1 |
| 4 | PFKL784347 | 72335S2A003 | WEATHERSTRIP, R. DOOR INNER | £23.07 | 1 |
| 5 | PFKL785045 | 72375S2A003 | WEATHERSTRIP, L. DOOR INNER | £23.07 | 1 |
| 6 | PFKL918372 | 83511S2A003ZC | PANEL, POWER WINDOW MASTER *R145L* | £0.00 | 1 |
| 6 | PFKL918370 | 83511S2A003ZA | PANEL, POWER WINDOW MASTER *NH167L* | £0.00 | 1 |
| 7 | PFKL919068 | 83520S2A003ZA | GRIP, R. DOOR LINING *NH167L* | £46.28 | 1 |
| 8 | PFKL919107 | 83521S2A003ZA | CAP A, R. GRIP *NH167L* | £4.19 | 1 |
| 9 | PFKL919119 | 83522S2A003ZA | CAP B, R. GRIP *NH167L* | £4.19 | 1 |
| 10 | PFKL919342 | 83530S2AJ63ZF | LINING COMP., R. FR. DOOR (LEATHER) *R153L* | £562.59 | 1 |
| 10 | PFKL919341 | 83530S2AJ63ZB | LINING COMP., R. FR. DOOR (LEATHER) *NH167L* | £562.59 | 1 |
| 11 | PFKL923123 | 83561S2A003ZC | PANEL, L. POWER WINDOW SUB SWITCH *R145L* | £0.00 | 1 |
| 11 | PFKL923121 | 83561S2A003ZA | PANEL, L. POWER WINDOW SUB SWITCH *NH167L* | £0.00 | 1 |
| 12 | PFKL923363 | 83570S2A003ZA | GRIP, L. DOOR LINING *NH167L* | £46.28 | 1 |
| 13 | PFKL923400 | 83571S2A003ZA | CAP A, L. GRIP *NH167L* | £4.19 | 1 |
| 14 | PFKL923410 | 83572S2A003ZA | CAP B, L. GRIP *NH167L* | £4.19 | 1 |
| 15 | PFKL923509 | 83580S2AJ63ZB | LINING COMP., L. FR. DOOR (LEATHER) *NH167L* | £562.59 | 1 |
| 15 | PFKL923510 | 83580S2AJ63ZF | LINING COMP., L. FR. DOOR (LEATHER) *R153L* | £0.00 | 1 |
| 16 | PFKL999005 | 90667SL4003 | CLIP, SNAP FITTING | £2.79 | 1 |
| 17 | PFKL1013305 | 91560S84A01 | CLIP, DOOR LINING (NATURAL) | £4.23 | 12 |
| 18 | PFKL1013345 | 91561SM4013ZA | CLIP, DOOR LINING *NH167L* | £3.85 | 2 |
| 19 | PFKL1014372 | 91626SP0003 | GROMMET, SCREW, 5MM | £8.01 | 4 |
| 20 | PFKL1020256 | 9390132220 | SCREW, TAPPING, 3X10 | £1.13 | 4 |
| 21 | PFKL1020262 | 9390132420 | SCREW, TAPPING, 3X16 | £1.44 | 3 |
| 22 | PFKL1020668 | 9390345520 | SCREW, TAPPING, 5X25 | £1.51 | 4 |
| 23 | PFKL1020805 | 9391314220 | SCREW, TAPPING, 4X12 | £1.44 | 4 |

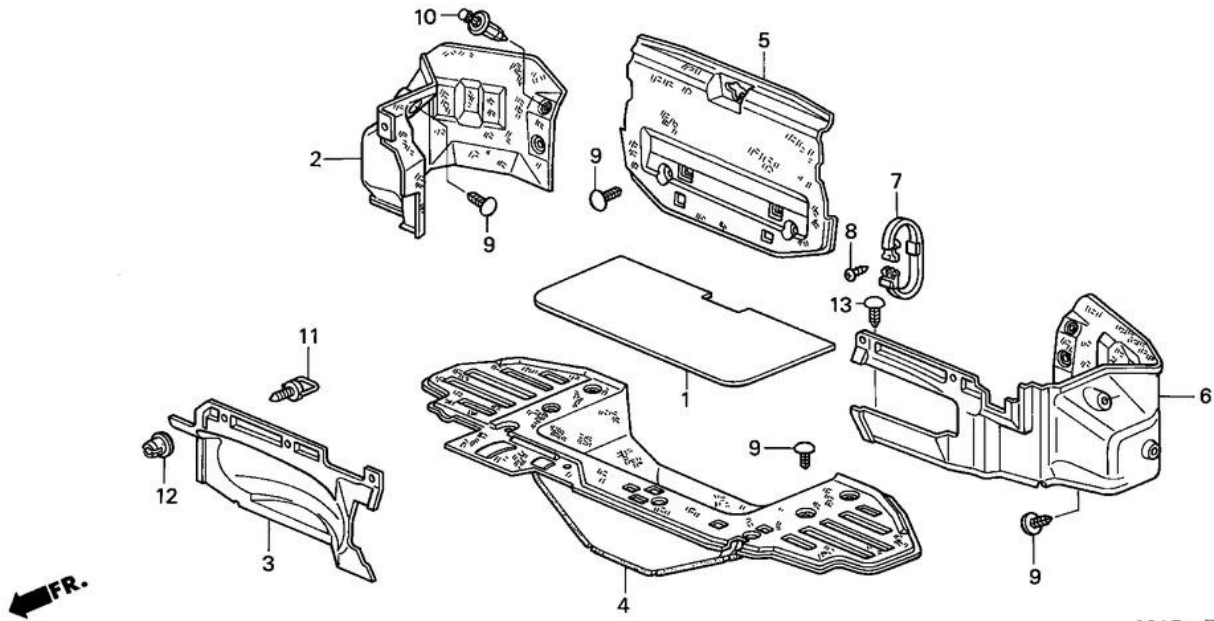
| | | | | | |
|----|-----------------------------|---------------|--------------------------------------|---------|---|
| 27 | PFLK916992 | 83502S2A003ZB | RING, R. UPPER *NH472L* | £35.60 | 1 |
| 28 | PFLK917244 | 83503S2A003ZD | RING, R. LOWER *NH472L* | £0.00 | 1 |
| 31 | PFLK922517 | 83552S2A003ZB | RING, L. UPPER *NH472L* | £35.60 | 1 |
| 32 | PFLK922705 | 83553S2A003ZD | RING, L. LOWER *NH472L* | £0.00 | 1 |
| 34 | PFLK985390 | 90132SS0000 | SCREW, TAPPING, 4X10 (PO) | £5.27 | 0 |
| 35 | PFLK1020800 | 9391314120 | SCREW, TAPPING, 4X10 | £1.44 | 4 |
| 36 | PFLK916723 | 83501S2AJ51ZA | GRILLE, R. TWEETER *NH167L* | £68.59 | 1 |
| 37 | PFLK922360 | 83551S2AJ51ZB | GRILLE, L. TWEETER *NH167L* | £64.32 | 1 |
| 38 | PFLK920108 | 83540S2AJ51ZB | NET COMP., R. FR. DOOR SIDE *NH167L* | £137.26 | 1 |
| 39 | PFLK924124 | 83590S2AJ51ZB | NET COMP., L. FR. DOOR SIDE *NH167L* | £128.65 | 1 |
| 40 | PFLK917457 | 83504S2AJ51 | COLLAR | £0.00 | 4 |
| 41 | PFLK918585 | 83515S2A003 | BRACKET, DRIVER GARNISH | £0.00 | 1 |
| 42 | PFLK1020607 | 9390342180 | SCREW, TAPPING, 3X8 | £0.00 | 1 |

B-39-31 ROLL BAR GARNISH ('06-)



| Ref | Part No | Honda Part No | Description | Price (Each) | Req Qty |
|-----|-----------------------------|---------------|---|--------------|---------|
| 1 | PFKL839270 | 77205S0XA01 | CLIP, SNAP FITTING | £2.84 | 8 |
| 2 | PFKL913678 | 83425S2A000ZA | HANGER, CONSOLE *NH167L* | £9.76 | 4 |
| 3 | PFKL942230 | 84515S2AA51ZA | GARNISH COMP., R. ROLL BAR UPPER *NH167L* | £379.82 | 1 |
| 4 | PFKL942243 | 84516S2AA51ZA | LID, R. ROLL BAR SPEAKER INNER *NH167L* | £17.76 | 1 |
| 5 | PFKL942247 | 84517S2AA51ZA | LID, R. ROLL BAR SPEAKER OUTER *NH167L* | £17.76 | 1 |
| 6 | PFKL942624 | 84525S2A000ZA | GARNISH ASSY., R. ROLL BAR LOWER *NH167L* | £39.09 | 1 |
| 7 | PFKL942758 | 84535S2A000ZB | CAP, GARNISH *NH167L* | £3.02 | 2 |
| 8 | PFKL942826 | 84565S2AA51ZA | GARNISH COMP., L. ROLL BAR UPPER *NH167L* | £379.82 | 1 |
| 9 | PFKL942831 | 84566S2AA51ZA | LID, L. ROLL BAR SPEAKER INNER *NH167L* | £13.23 | 1 |
| 10 | PFKL942833 | 84567S2AA51ZA | LID, L. ROLL BAR SPEAKER OUTER *NH167L* | £13.23 | 1 |
| 11 | PFKL942895 | 84575S2A000ZA | GARNISH ASSY., L. ROLL BAR LOWER *NH167L* | £39.09 | 1 |
| 12 | PFKL985722 | 90136S0A003 | SCREW, ET, 5X28 | £3.76 | 4 |
| 13 | PFKL990472 | 90317S2A003 | HOOK, MALE | £12.15 | 2 |
| 14 | PFKL998678 | 90666SDAA01 | CLIP, SNAP FITTING (PO) (NATURAL) | £5.72 | 8 |
| 15 | PFKL1014453 | 91641SM4003 | GROMMET, SCREW, 4MM | £4.81 | 6 |
| 16 | PFKL1017438 | 934040802008 | BOLT-WASHER, 8X20 | £1.85 | 16 |
| 17 | PFKL1020814 | 9391314480 | SCREW, TAPPING, 4X16 (PO) | £1.10 | 8 |
| 18 | PFKL1021317 | 9405006000 | NUT, FLANGE, 6MM | £2.30 | 2 |

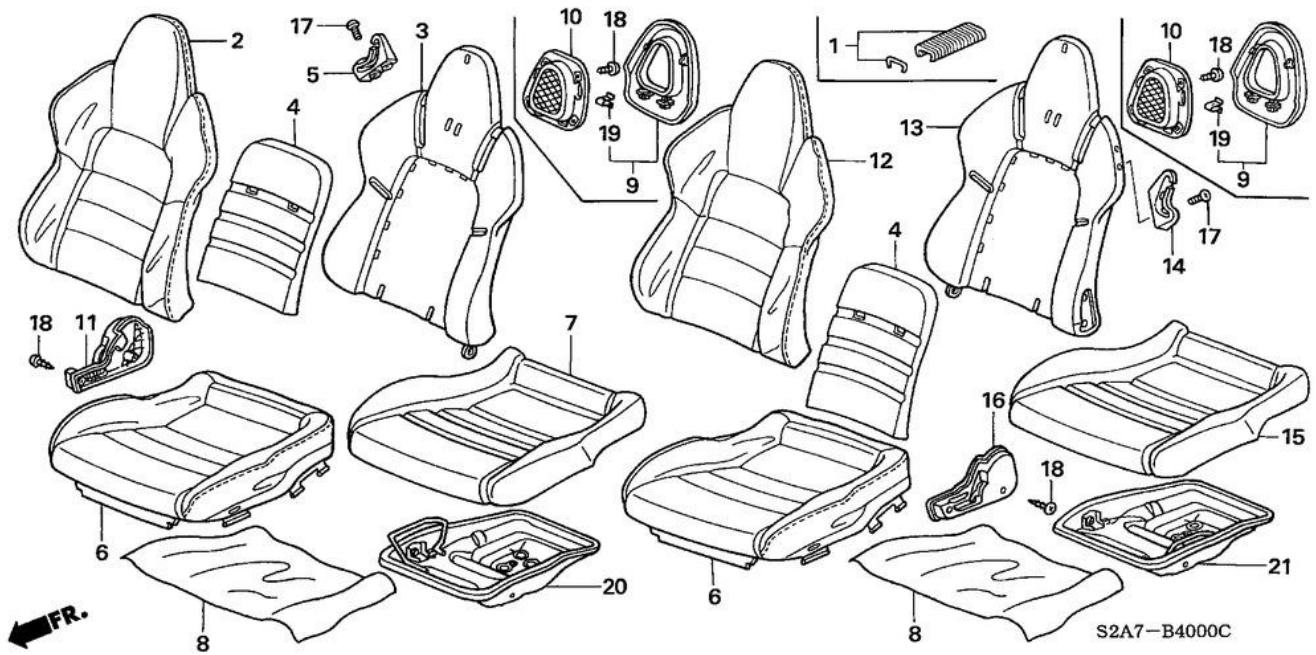
B-39-40 TRUNK LINING



S2A7 - B3940A

| Ref | Part No | Honda Part No | Description | Price (Each) | Req Qty |
|-----|-----------------------------|---------------|----------------------------------|--------------|---------|
| 1 | PFKL942489 | 84521S2A003ZA | LID, TOOL BOX *NH85L* | £88.00 | 1 |
| 2 | PFKL943112 | 84601S2A003ZA | LINING, R. TRUNK SIDE *NH85L* | £138.65 | 1 |
| 3 | PFKL943315 | 84611S2A003ZA | LINING, SPARE TIRE COVER *NH85L* | £95.09 | 1 |
| 4 | PFKL943543 | 84621S2A003ZA | LINING, TRUNK FLOOR *NH85L* | £246.47 | 1 |
| 5 | PFKL943966 | 84640S2AE01ZB | LINING, RR. PANEL *NH85L* | £77.16 | 1 |
| 6 | PFKL944305 | 84651S2A003ZA | LINING, L. TRUNK SIDE *NH85L* | £138.65 | 1 |
| 7 | PFKL944375 | 84657S30000 | BELT COMP., LASHING | £36.37 | 2 |
| 8 | PFKL984695 | 90126SR4000 | SCREW-WASHER, 5X16 | £7.56 | 2 |
| 9 | PFKL999294 | 90671S0D003ZK | CLIP, ROOF, 7MM *NH167L* | £3.11 | 17 |
| 10 | PFKL1011950 | 91505ST7003ZA | CLIP, COWL TOP *NH167L* | £4.54 | 4 |
| 11 | PFKL1012796 | 91550S10013 | CLIP, RING PULL | £4.84 | 3 |
| 12 | PFKL1012844 | 91551S10003 | GROMMET, RING | £3.42 | 3 |
| 13 | PFKL999037 | 90667S0D003ZH | CLIP, TRIM, 7MM *NH167L* | £3.74 | 1 |

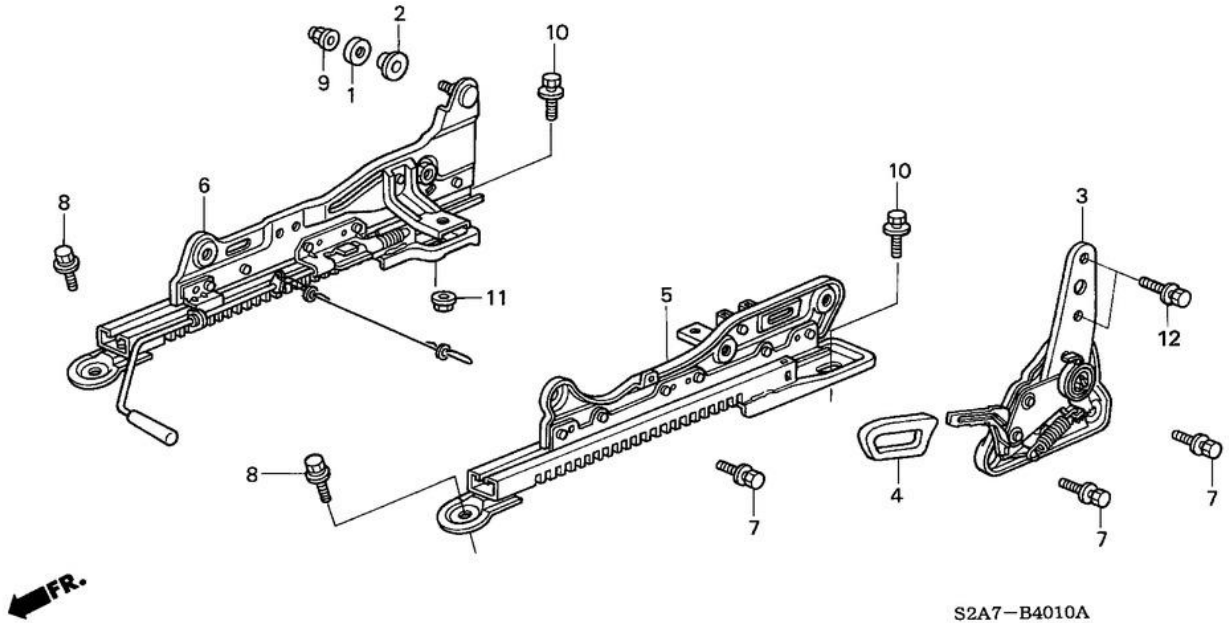
B-40 SEAT



| Ref | Part No | Honda Part No | Description |
|-----|---|---------------|---|
| 1 | PFKL219719 | 04810SB3000 | C CLIP SET, TRIM FASTENER |
| 1 | PFKL219719 | 04810SB3000 | C CLIP SET, TRIM FASTENER |
| 2 | PFKL881044 | 81121S2AJ11ZA | COVER, R. FR. SEATBACK TRIM |
| 2 | PFKL881045 | 81121S2AJ11ZB | COVER, R. FR. SEATBACK TRIM |
| 2 | PFKL881046 | 81121S2AJ11ZC | COVER, R. FR. SEATBACK TRIM |
| 2 | PFKL881047 | 81121S2AJ11ZD | COVER, R. FR. SEATBACK TRIM |
| 2 | PFKL881048 | 81121S2AJ11ZE | COVER, R. FR. SEATBACK TRIM (BLACK/RED) |
| 3 | PFKL881328 | 81122S2AJ12 | PAD & FRAME COMP., R. FR. SEATBACK |
| 4 | PFKL881374 | 81123S2AJ02 | PAD COMP., FR. SEATBACK |
| 5 | PFKL881762 | 81127S2A003ZA | GUIDE, R. SEATBELT *NH16 |
| 6 | PFKL883056 | 81131S2AA12ZA | COVER, FR. SEAT CUSHION |
| 6 | PFKL883057 | 81131S2AA12ZC | COVER, FR. SEAT CUSHION |
| 6 | https://www.lingshondaparts.com/lings_part_number_search_A10?partdes= | | COVER, FR. SEAT CUSHION |
| 6 | https://www.lingshondaparts.com/lings_part_number_search_A10?partdes= | | COVER, FR. SEAT CUSHION |
| 6 | PFKL883058 | 81131S2AA12ZJ | COVER, FR. SEAT CUSHION (BLACK/RED) |
| 7 | PFKL883294 | 81132S2A013 | PAD & FRAME COMP., R. FR. SEATBACK |
| 8 | PFKL883545 | 81137S2A003 | CLOTH, WORSTED |
| 11 | PFKL887903 | 81238S2A003ZA | COVER, R. RECLINING *NH16 |
| 12 | PFKL893177 | 81521S2AA51ZE | COVER, L. FR. SEATBACK TRIM (BLACK/RED) |
| 12 | PFKL893176 | 81521S2AA51ZD | COVER, L. FR. SEATBACK TRIM |
| 12 | PFKL893175 | 81521S2AA51ZC | COVER, L. FR. SEATBACK TRIM |
| 12 | PFKL893174 | 81521S2AA51ZB | COVER, L. FR. SEATBACK TRIM |
| 12 | PFKL893173 | 81521S2AA51ZA | COVER, L. FR. SEATBACK TRIM |
| 13 | PFKL893393 | 81522S2AJ12 | PAD & FRAME COMP., L. FR. SEATBACK |
| 14 | PFKL893588 | 81527S2A003ZA | GUIDE, L. SEATBELT *NH16 |

| | | | |
|----|----------------------------|---------------|--------------------------|
| 15 | PFKL894645 | 81532S2A013 | PAD & FRAME COMP., L. F |
| 16 | PFKL895900 | 81638S2A003ZA | COVER, L. RECLINING *NH |
| 17 | PFKL979331 | 90101SS1000 | BOLT, 5X16 |
| 18 | PFKL985550 | 90134SE3003 | SCREW, TAPPING, 5X10 |
| 20 | PFKL883490 | 81136S2A013 | FRAME COMP., R. FR. SEAT |
| 21 | PFKL894749 | 81536S2A013 | FRAME COMP., L. FR. SEAT |

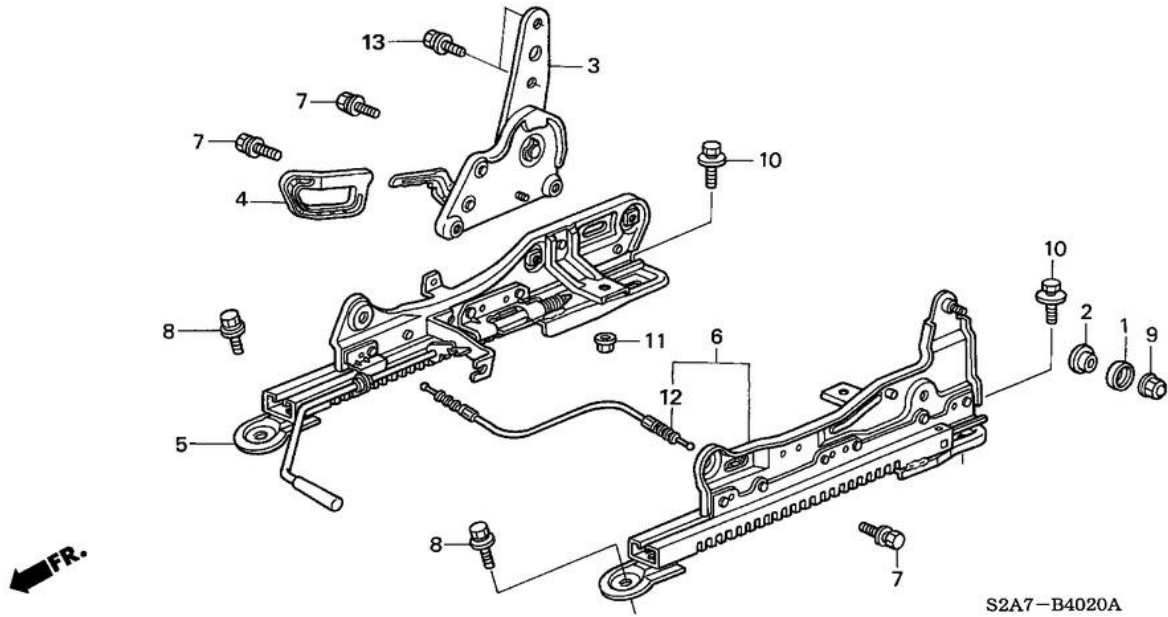
B-40-10 SEAT COMPONENTS (L.)



S2A7-B4010A

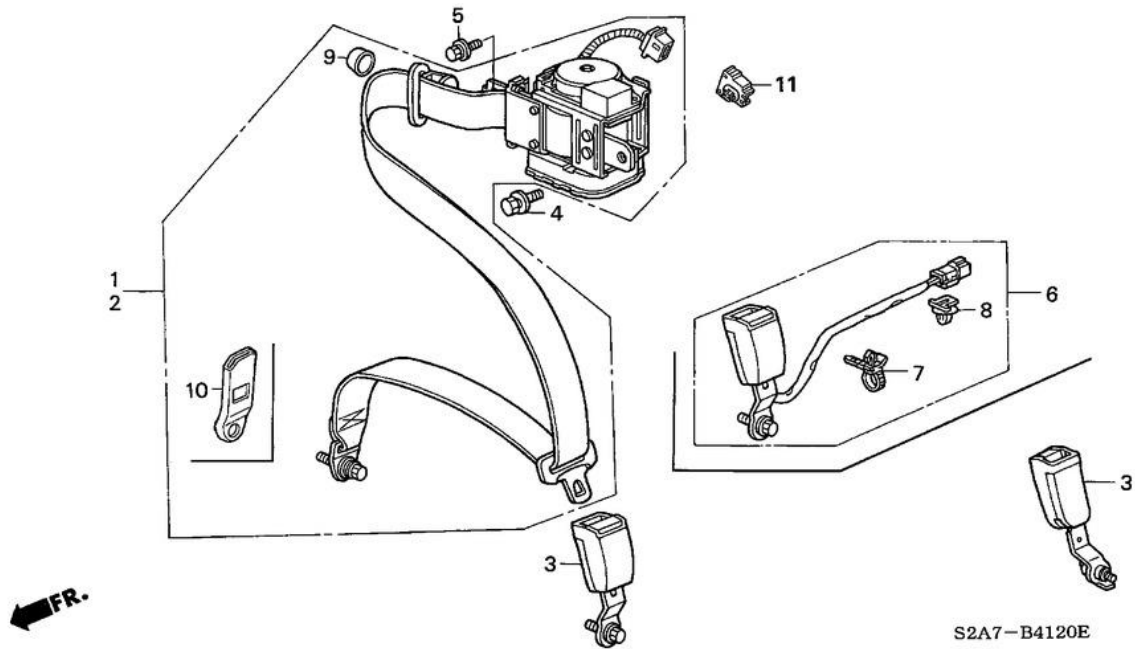
| Ref | Part No | Honda Part No | Description | Price (Each) | Req Qty |
|-----|-----------------------------|---------------|-----------------------------|--------------|---------|
| 1 | PFKL839475 | 77209SB0003 | WASHER, NYLON | £4.12 | 1 |
| 2 | PFKL880073 | 81117S47003 | BUSH, NYLON (TS TECH) | £5.83 | 1 |
| 3 | PFKL895525 | 81630S2A013 | ADJUSTER, L. RECLINING | £0.00 | 1 |
| 4 | PFKL895608 | 81631S2A003ZA | KNOB, L. RECLINING *NH167L* | £10.39 | 1 |
| 5 | PFKL896075 | 81660S2AA02 | ADJUSTER, L. OUTER SLIDE | £172.53 | 1 |
| 6 | PFKL896179 | 81670S2AA02 | ADJUSTER, L. INNER SLIDE | £0.00 | 1 |
| 7 | PFKL986039 | 90143SR3000 | BOLT-WASHER, 10X22 | £4.75 | 4 |
| 8 | PFKL986679 | 90155SH3000 | BOLT-WASHER, 8X25 | £7.54 | 2 |
| 9 | PFKL992765 | 90443KF9900 | NUT, FLANGE CAP, 8MM | £4.52 | 1 |
| 10 | PFKL1017518 | 934051002007 | BOLT-WASHER, 10X20 | £2.30 | 2 |
| 11 | PFKL1021366 | 9407008080 | NUT-WASHER, 8MM | £1.87 | 2 |
| 12 | PFKL986043 | 90143SV4003 | BOLT-WASHER, 10X22 | £7.51 | 2 |

B-40-20 SEAT COMPONENTS (R.)



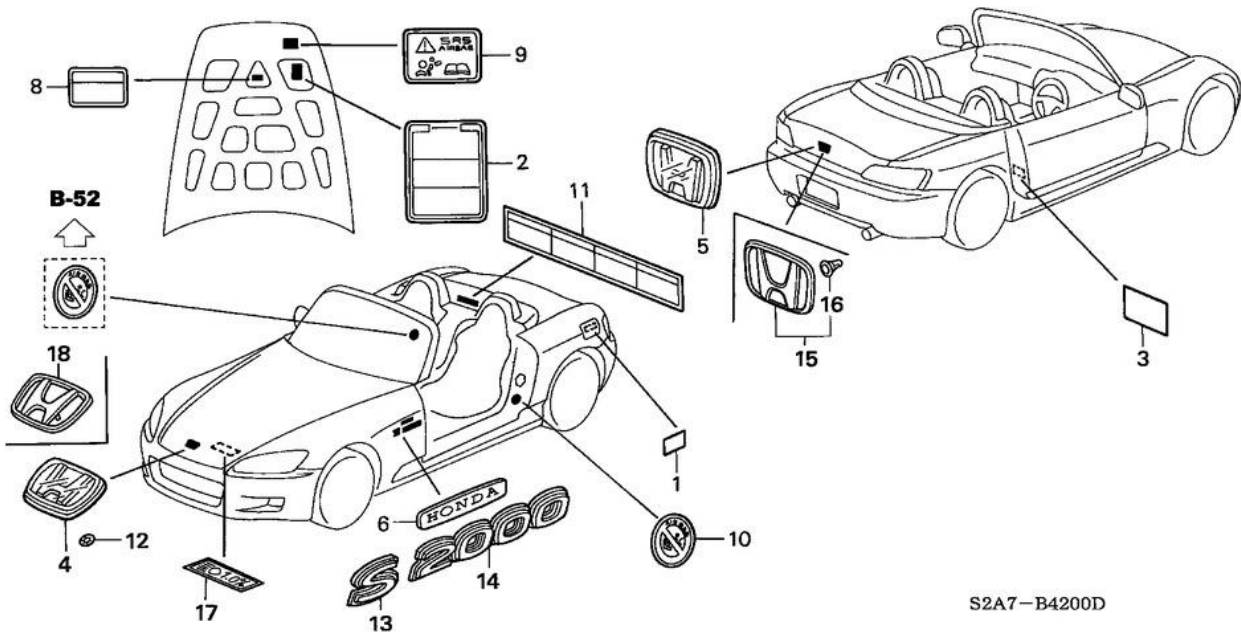
| Ref | Part No | Honda Part No | Description | Price (Each) | Req Qty |
|-----|-----------------------------|---------------|-----------------------------|--------------|---------|
| 1 | PFKL839475 | 77209SB0003 | WASHER, NYLON | £4.12 | 1 |
| 2 | PFKL880073 | 81117S47003 | BUSH, NYLON (TS TECH) | £5.83 | 1 |
| 3 | PFKL887383 | 81230S2A013 | ADJUSTER, R. RECLINING | £0.00 | 1 |
| 4 | PFKL887499 | 81231S2A003ZA | KNOB, R. RECLINING *NH167L* | £10.39 | 1 |
| 5 | PFKL888454 | 81260S2AE02 | ADJUSTER, R. OUTER SLIDE | £0.00 | 1 |
| 6 | PFKL888659 | 81270S2AE02 | ADJUSTER, R. INNER SLIDE | £199.61 | 1 |
| 7 | PFKL986039 | 90143SR3000 | BOLT-WASHER, 10X22 | £4.75 | 4 |
| 8 | PFKL986679 | 90155SH3000 | BOLT-WASHER, 8X25 | £7.54 | 2 |
| 9 | PFKL992765 | 90443KF9900 | NUT, FLANGE CAP, 8MM | £4.52 | 1 |
| 10 | PFKL1017518 | 934051002007 | BOLT-WASHER, 10X20 | £2.30 | 2 |
| 11 | PFKL1021366 | 9407008080 | NUT-WASHER, 8MM | £1.87 | 2 |
| 12 | PFKL888521 | 81263S2AE01 | CABLE | £26.28 | 1 |
| 13 | PFKL986043 | 90143SV4003 | BOLT-WASHER, 10X22 | £7.51 | 2 |

B-41-20 SEATBELTS



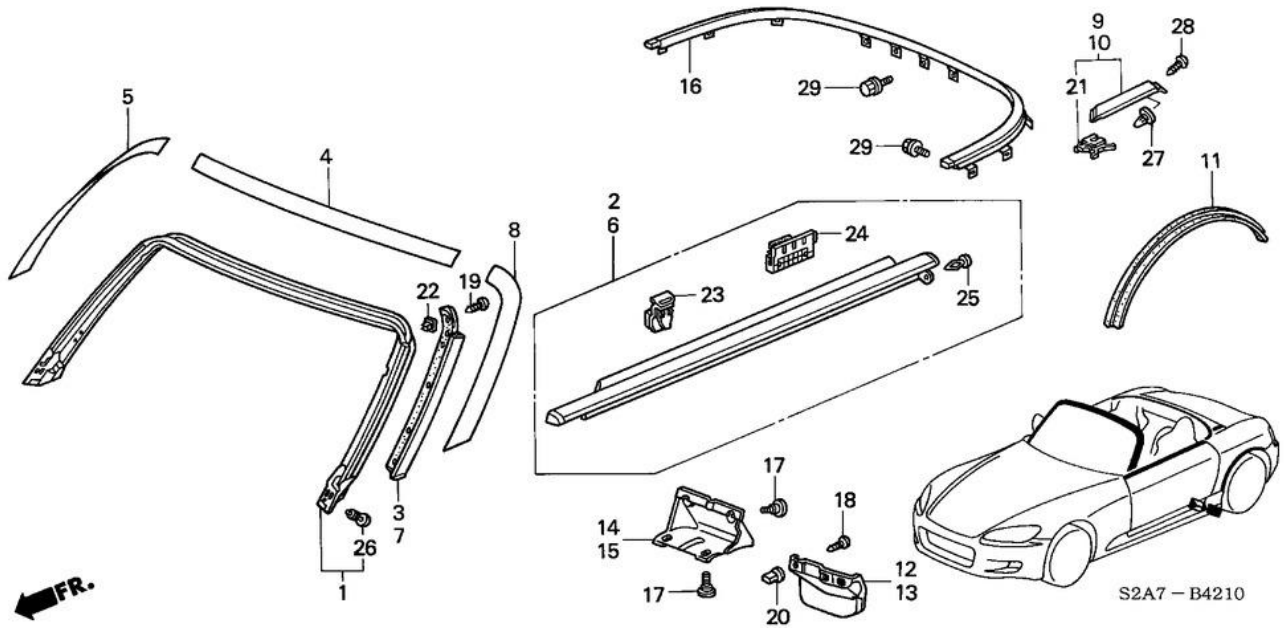
| Ref | Part No | Honda Part No | Description | Price (Each) | Req Qty |
|-----|-----------------------------|---------------|--|--------------|---------|
| 1 | PFKL891231 | 81450S2AG05ZA | TONGUE, R. FR. SEATBELT OUTER *NH167L* | £369.96 | 1 |
| 2 | PFKL897052 | 81850S2AG05ZA | TONGUE, L. FR. SEATBELT OUTER *NH167L* | £369.96 | 1 |
| 3 | PFKL897355 | 81855S2A004ZA | BUCKLE, L. FR. SEATBELT INNER *NH167L* | £118.01 | 1 |
| 4 | PFKL979357 | 90101S84A00 | SCREW, ET, 6X16 | £3.13 | 2 |
| 5 | PFKL986007 | 90142S04004 | BOLT-WASHER, 7/16"X28 | £7.20 | 2 |
| 6 | PFKL891636 | 81455S2A004ZA | BUCKLE, R. FR. SEATBELT INNER *NH167L* | £175.14 | 1 |
| 7 | PFKL1012597 | 91540S30003 | CLIP, HARNESS BAND (NATURAL) (151.5MM) | £5.35 | 2 |
| 8 | PFKL1013081 | 91555SM4003 | CLIP, COUPLER (RED) | £3.06 | 1 |
| 9 | PFKL892045 | 81493S2A004ZA | CAP, THROUGH ANCHOR *NH167L* | £6.57 | 2 |
| 10 | PFKL890615 | 81420S2A004ZA | COVER, ANCHOR *NH167L* | £0.00 | 2 |

B-42 EMBLEMS/CAUTION LABELS



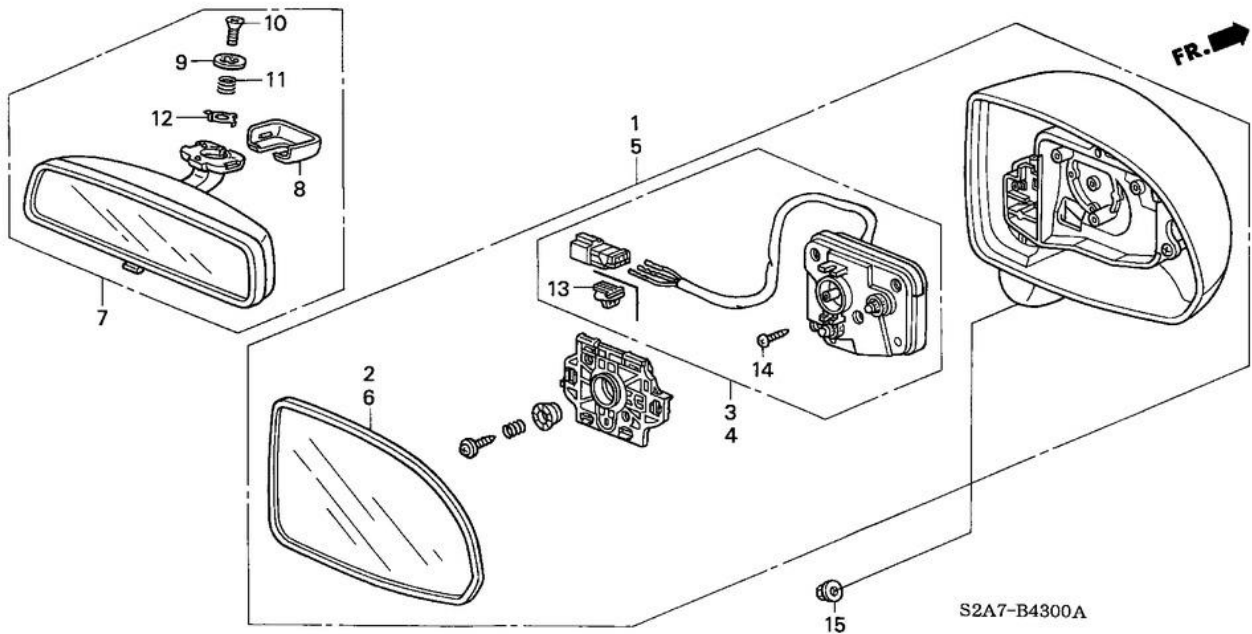
| Ref | Part No | Honda Part No | Description | Price (Each) | Req Qty |
|-----|-----------------------------|---------------|--|--------------|---------|
| 1 | PFKL372273 | 17669PCXG00 | LABEL, FUEL FILLER CAUTION | £7.79 | 1 |
| 2 | PFKL399962 | 19043PADG00 | LABEL, COOLANT INFORMATION | £8.73 | 1 |
| 3 | PFKL590088 | 42760S2AG10 | PLATE, TIRE PRESSURE CAUTION | £7.24 | 1 |
| 6 | PFKL813904 | 75711S2AG00 | EMBLEM, SIDE (HONDA) | £22.86 | 2 |
| 8 | PFKL853934 | 77873SDAE80 | LABEL, STEERING COLUMN CAUTION (ENGLISH/FRENCH/GERMAN/DUTCH) | £4.28 | 1 |
| 9 | PFKL853950 | 77875SDAG80 | LABEL, SRS CAUTION | £5.29 | 1 |
| 10 | PFKL861975 | 78527S04G80 | LABEL, SRS CAUTION (CHILD SEAT) | £6.94 | 1 |
| 12 | PFKL988034 | 90190SB2000 | NUT, PUSH, 4MM | £3.58 | 2 |
| 13 | PFKL813840 | 75710S2AG00 | EMBLEM SET, SIDE (S) | £15.25 | 2 |
| 14 | PFKL813953 | 75712S2AG00 | EMBLEM SET, SIDE (2000) | £45.72 | 2 |
| 15 | PFKL813772 | 75701S2AJ00 | EMBLEM, RR. CENTER (H) | £23.32 | 1 |
| 16 | PFKL1012190 | 91512SR3004 | CLIP, TUBULAR | £3.35 | 2 |
| 17 | PFKL502786 | 33406S2A000 | LABEL, HEADLIGHT ADJUSTER CAUTION | £4.86 | 1 |
| 18 | PFKL813632 | 75700S2AJ00 | EMBLEM, FR. CENTER (H) | £23.32 | 1 |

B-42-10 MOLDING/PROTECTOR



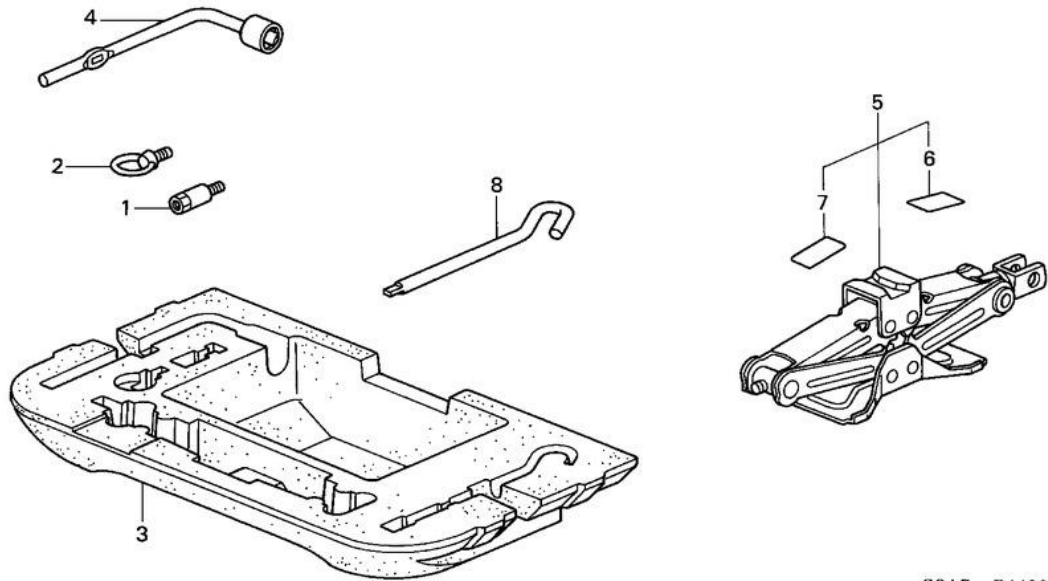
| Ref | Part No | Honda Part No | Description | Price (Each) | Req Qty |
|-----|----------------------------|---------------|-------------------------------------|--------------|---------|
| 1 | PFKL783979 | 72320S2A043 | WEATHERSTRIP, FR. ROOF PILLAR | £291.08 | 1 |
| 2 | PFKL785312 | 72410S2A023 | MOLDING ASSY., R. DOOR | £92.85 | 1 |
| 3 | PFKL785420 | 72420S2A013 | MOLDING ASSY., R. FR. PILLAR | £79.58 | 1 |
| 6 | PFKL785676 | 72450S2A023 | MOLDING ASSY., L. DOOR | £92.85 | 1 |
| 7 | PFKL785767 | 72460S2A013 | MOLDING ASSY., L. FR. PILLAR | £79.58 | 1 |
| 9 | PFKL801131 | 74307S2A003ZP | MOLDING, R. RR. WINDSHIELD *B523P* | £0.00 | 1 |
| 9 | PFKL801132 | 74307S2A003ZR | MOLDING, R. RR. WINDSHIELD *NH676M* | £62.91 | 1 |
| 9 | PFKL801133 | 74307S2A003ZS | MOLDING, R. RR. WINDSHIELD *Y65P* | £0.00 | 1 |
| 9 | PFKL801134 | 74307S2A003ZT | MOLDING, R. RR. WINDSHIELD *B545P* | £0.00 | 1 |
| 9 | PFKL801135 | 74307S2A003ZU | MOLDING, R. RR. WINDSHIELD *YR564M* | £0.00 | 1 |
| 9 | PFKL801130 | 74307S2A003ZN | MOLDING, R. RR. WINDSHIELD *YR536P* | £0.00 | 1 |
| 9 | PFKL801129 | 74307S2A003ZM | MOLDING, R. RR. WINDSHIELD *R508P* | £0.00 | 1 |
| 9 | PFKL801128 | 74307S2A003ZL | MOLDING, R. RR. WINDSHIELD *NH609P* | £0.00 | 1 |
| 9 | PFKL801126 | 74307S2A003ZH | MOLDING, R. RR. WINDSHIELD *B513M* | £0.00 | 1 |
| 9 | PFKL801124 | 74307S2A003ZE | MOLDING, R. RR. WINDSHIELD *R510* | £0.00 | 1 |
| 9 | PFKL801123 | 74307S2A003ZD | MOLDING, R. RR. WINDSHIELD *NH630M* | £62.91 | 1 |
| 9 | PFKL801121 | 74307S2A003ZB | MOLDING, R. RR. WINDSHIELD *NH547* | £62.91 | 1 |
| 10 | PFKL801330 | 74317S2A003ZP | MOLDING, L. RR. WINDSHIELD *B523P* | £0.00 | 1 |
| 10 | PFKL801331 | 74317S2A003ZR | MOLDING, L. RR. WINDSHIELD *NH676M* | £0.00 | 1 |
| 10 | PFKL801332 | 74317S2A003ZS | MOLDING, L. RR. WINDSHIELD *Y65P* | £0.00 | 1 |
| 10 | PFKL801333 | 74317S2A003ZT | MOLDING, L. RR. WINDSHIELD *B545P* | £0.00 | 1 |
| 10 | PFKL801334 | 74317S2A003ZU | MOLDING, L. RR. WINDSHIELD *YR564M* | £0.00 | 1 |
| 10 | PFKL801329 | 74317S2A003ZN | MOLDING, L. RR. WINDSHIELD *YR536P* | £0.00 | 1 |
| 10 | PFKL801328 | 74317S2A003ZM | MOLDING, L. RR. WINDSHIELD *R508P* | £0.00 | 1 |
| 10 | PFKL801327 | 74317S2A003ZL | MOLDING, L. RR. WINDSHIELD *NH609P* | £0.00 | 1 |
| 10 | PFKL801325 | 74317S2A003ZH | MOLDING, L. RR. WINDSHIELD *B513M* | £0.00 | 1 |
| 10 | PFKL801323 | 74317S2A003ZE | MOLDING, L. RR. WINDSHIELD *R510* | £62.91 | 1 |

| | | | | | |
|----|-----------------------------|---------------|-------------------------------------|---------|----|
| 10 | PFLK801322 | 74317S2A003ZD | MOLDING, L. RR. WINDSHIELD *NH630M* | £62.91 | 1 |
| 10 | PFLK801320 | 74317S2A003ZB | MOLDING, L. RR. WINDSHIELD *NH547* | £62.91 | 1 |
| 11 | PFLK801691 | 74430SM4A00 | PROTECTOR, RR. WHEEL ARCH | £24.45 | 2 |
| 12 | PFLK801891 | 74475S2AJ00 | STRAKE A, R. RR. | £19.05 | 1 |
| 13 | PFLK801980 | 74485S2AJ00 | STRAKE A, L. RR. | £19.05 | 1 |
| 14 | PFLK802637 | 74685S2A000 | STRAKE B, R. RR. | £26.64 | 1 |
| 15 | PFLK802668 | 74695S2A000 | STRAKE B, L. RR. | £26.64 | 1 |
| 16 | PFLK804427 | 74866S2A033 | MOLDING | £381.08 | 1 |
| 17 | PFLK981967 | 90110SE0003 | BOLT C, BUMPER | £5.09 | 8 |
| 18 | PFLK982812 | 90114SE0000 | SCREW, TAPPING, 5X20 | £6.08 | 6 |
| 19 | PFLK985755 | 90137SD2003 | SCREW, TAPPING, 4X12 (SUS) | £5.85 | 10 |
| 20 | PFLK998483 | 90664SB3003 | GROMMET, SCREW, 5MM | £6.59 | 6 |
| 21 | PFLK1011796 | 91502S2A003 | CLIP, MOLDING | £6.03 | 2 |
| 22 | PFLK1011828 | 91503SK7013 | GROMMET, SCREW (4MM) | £4.59 | 10 |
| 23 | PFLK1012372 | 91525S2A003 | CLIP, DOOR MOLDING | £3.64 | 12 |
| 24 | PFLK1013432 | 91563S2A013 | STABILIZER, DOOR MOLDING | £30.44 | 2 |
| 25 | PFLK1013493 | 91566SR2013 | CLIP | £3.35 | 2 |
| 26 | PFLK1013511 | 91567SR2013 | CLIP | £3.35 | 4 |
| 27 | PFLK1014489 | 91651SL4003 | GROMMET, DRIP & RETAINER | £3.20 | 2 |
| 28 | PFLK986189 | 90146SL4003 | SCREW, TAPPING, 5X12 | £6.84 | 2 |
| 29 | PFLK1028250 | 957010601202 | BOLT, FLANGE, 6X12 | £1.85 | 12 |



| Ref | Part No | Honda Part No | Description | Price (Each) | Req Qty |
|-----|-----------------------------|---------------|---|--------------|---------|
| 1 | PFKL822374 | 76200S2AE11ZA | MIRROR ASSY., R. DOOR (HEATED) *B513M* | £332.36 | 1 |
| 1 | PFKL822386 | 76200S2AE11ZN | MIRROR ASSY., R. DOOR (HEATED) *NH609P* | £0.00 | 1 |
| 1 | PFKL822385 | 76200S2AE11ZM | MIRROR ASSY., R. DOOR (HEATED) *YR564M* | £332.36 | 1 |
| 1 | PFKL822384 | 76200S2AE11ZL | MIRROR ASSY., R. DOOR (HEATED) *B545P* | £0.00 | 1 |
| 1 | PFKL822383 | 76200S2AE11ZK | MIRROR ASSY., R. DOOR (HEATED) *Y65P* | £0.00 | 1 |
| 1 | PFKL822382 | 76200S2AE11ZJ | MIRROR ASSY., R. DOOR (HEATED) *YR536P* | £0.00 | 1 |
| 1 | PFKL822389 | 76200S2AE12ZH | MIRROR ASSY., R. DOOR (HEATED) *R510* | £332.36 | 1 |
| 1 | PFKL822380 | 76200S2AE11ZG | MIRROR ASSY., R. DOOR (HEATED) *R508P* | £0.00 | 1 |
| 1 | PFKL2156183 | 76200S2AE12ZF | MIRROR ASSY., R. DOOR (HEATED) *NH676M* | £0.00 | 1 |
| 1 | PFKL822378 | 76200S2AE11ZE | MIRROR ASSY., R. DOOR (HEATED) *NH630M* | £332.36 | 1 |
| 1 | PFKL822377 | 76200S2AE11ZD | MIRROR ASSY., R. DOOR (HEATED) *NH547* | £0.00 | 1 |
| 1 | PFKL822375 | 76200S2AE11ZB | MIRROR ASSY., R. DOOR (HEATED) *B523P* | £332.36 | 1 |
| 2 | PFKL823534 | 76203S2AG11 | MIRROR SUB ASSY., R. (HEATED) (R1400) | £44.69 | 1 |
| 3 | PFKL823759 | 76210S2AG11 | ACTUATOR SET, R. (HEATED) | £0.00 | 1 |
| 4 | PFKL823878 | 76215S2AG11 | ACTUATOR SET, L. (HEATED) | £104.58 | 1 |
| 5 | PFKL826365 | 76250S2AE11ZN | MIRROR ASSY., L. DOOR (HEATED) *NH609P* | £0.00 | 1 |
| 5 | PFKL826364 | 76250S2AE11ZM | MIRROR ASSY., L. DOOR (HEATED) *YR564M* | £0.00 | 1 |
| 5 | PFKL826363 | 76250S2AE11ZL | MIRROR ASSY., L. DOOR (HEATED) *B545P* | £0.00 | 1 |
| 5 | PFKL826362 | 76250S2AE11ZK | MIRROR ASSY., L. DOOR (HEATED) *Y65P* | £0.00 | 1 |
| 5 | PFKL826361 | 76250S2AE11ZJ | MIRROR ASSY., L. DOOR (HEATED) *YR536P* | £0.00 | 1 |
| 5 | PFKL826369 | 76250S2AE12ZH | MIRROR ASSY., L. DOOR (HEATED) *R510* | £0.00 | 1 |
| 5 | PFKL826359 | 76250S2AE11ZG | MIRROR ASSY., L. DOOR (HEATED) *R508P* | £0.00 | 1 |
| 5 | PFKL826368 | 76250S2AE12ZF | MIRROR ASSY., L. DOOR (HEATED) *NH676M* | £332.36 | 1 |
| 5 | PFKL826357 | 76250S2AE11ZE | MIRROR ASSY., L. DOOR (HEATED) *NH630M* | £332.36 | 1 |
| 5 | PFKL826367 | 76250S2AE12ZD | MIRROR ASSY., L. DOOR (HEATED) *NH547* | £332.36 | 1 |
| 5 | PFKL826354 | 76250S2AE11ZB | MIRROR ASSY., L. DOOR (HEATED) *B523P* | £0.00 | 1 |
| 5 | PFKL826353 | 76250S2AE11ZA | MIRROR ASSY., L. DOOR (HEATED) *B513M* | £332.36 | 1 |

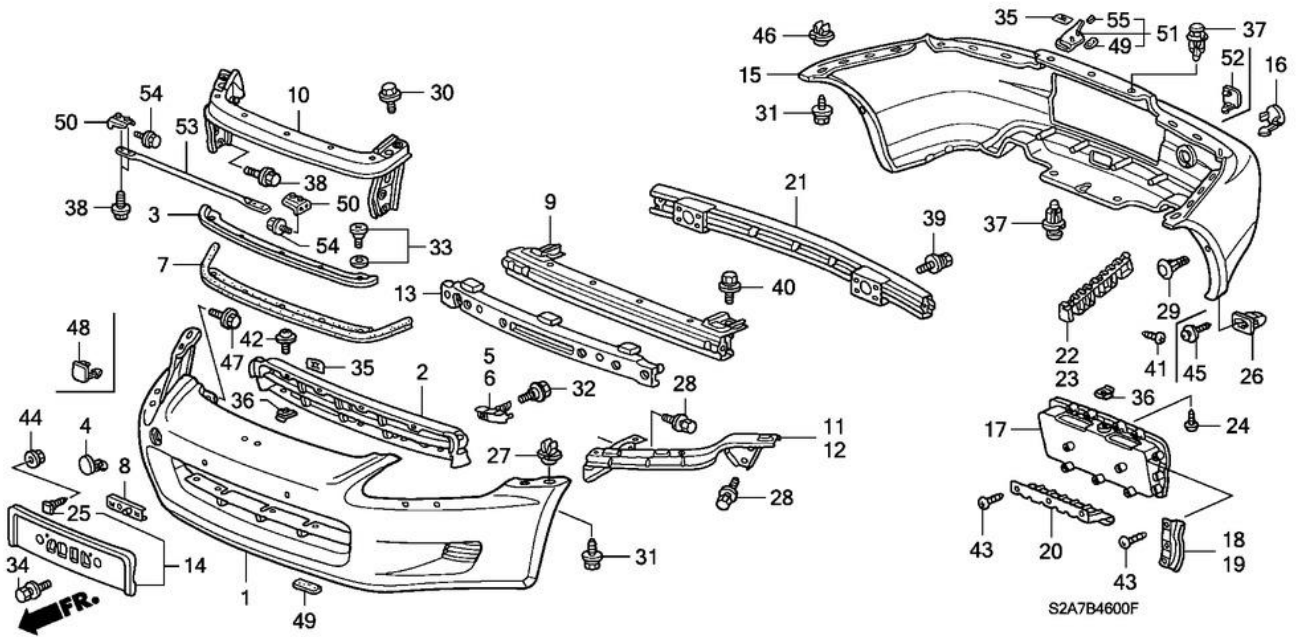
| | | | | | |
|----|-----------------------------|---------------|---|---------|---|
| 6 | PFKL827508 | 76253S2AG11 | MIRROR SUB ASSY., L. (HEATED) (R1400) | £44.69 | 1 |
| 7 | PFKL828463 | 76400S2A003ZA | MIRROR ASSY., RR. VIEW (DAY/NIGHT) *NH167L* | £111.16 | 1 |
| 8 | PFKL828537 | 76408S2A003ZA | COVER, STAY *NH167L* | £7.04 | 1 |
| 9 | PFKL828538 | 76409SL0003 | WASHER, TOOTHED | £4.55 | 1 |
| 10 | PFKL828563 | 76410SL4003 | BOLT, LOCK | £4.63 | 1 |
| 11 | PFKL828614 | 76419SL4003 | SPRING, HOLDER | £4.16 | 1 |
| 12 | PFKL828618 | 76420SL4003 | PLATE, HOOK | £12.77 | 1 |
| 14 | PFKL1020197 | 9390124380 | SCREW, TAPPING, 4X12 | £1.44 | 6 |
| 15 | PFKL1021373 | 9407106080 | NUT-WASHER, 6MM | £1.87 | 6 |



S2A7 – B4400

| Ref | Part No | Honda Part No | Description | Price (Each) | Req Qty |
|-----|----------------------------|---------------|------------------------|--------------|---------|
| 1 | PFKL802707 | 74717S2A000 | EXTENSION, TOWING HOOK | £11.87 | 1 |
| 2 | PFKL802709 | 74717S50000 | BOLT, EYE | £12.96 | 1 |
| 3 | PFKL972721 | 89101S2A010 | BOX, TOOL | £113.19 | 1 |
| 4 | PFKL972877 | 89211S05003 | WRENCH, WHEEL | £24.92 | 1 |
| 5 | PFKL973391 | 89310S2A003 | JACK ASSY., PANTOGRAPH | £174.94 | 1 |
| 6 | PFKL973429 | 89311S2A003 | PLATE, JACK CAUTION | £0.00 | 1 |
| 7 | PFKL973437 | 89312S2A003 | LABEL, PANTOGRAPH JACK | £0.00 | 1 |
| 8 | PFKL973451 | 89320S2G003 | BAR, JACK | £34.19 | 1 |

B-46 BUMPERS

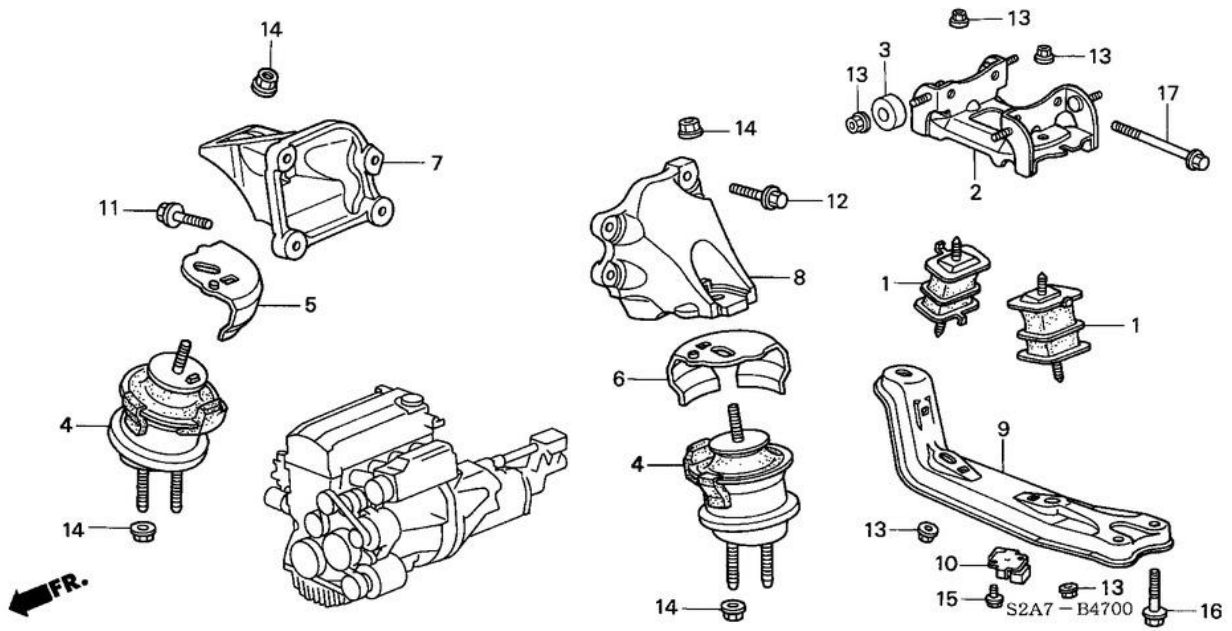


| Ref | Part No | Honda Part No | Description | Price (Each) | Req Qty |
|-----|-----------------------------|---------------|--|--------------|---------|
| 1 | PFKL765946 | 71101S2A316ZA | FACE, FR. BUMPER *B513M* | £427.83 | 1 |
| 1 | PFKL2642868 | 04711S2A306ZZ | FACE, FR. BUMPER *NH609P* | £361.20 | 1 |
| 1 | PFKL765957 | 71101S2A316ZM | FACE, FR. BUMPER *YR564M* | £427.83 | 1 |
| 1 | PFKL765956 | 71101S2A316ZL | FACE, FR. BUMPER *B545P* | £452.88 | 1 |
| 1 | PFKL765955 | 71101S2A316ZK | FACE, FR. BUMPER *Y65P* | £452.88 | 1 |
| 1 | PFKL765954 | 71101S2A316ZJ | FACE, FR. BUMPER *YR536P* | £427.83 | 1 |
| 1 | PFKL765953 | 71101S2A316ZH | FACE, FR. BUMPER *R510* | £361.20 | 1 |
| 1 | PFKL765952 | 71101S2A316ZG | FACE, FR. BUMPER *R508P* | £0.00 | 1 |
| 1 | PFKL2642868 | 04711S2A306ZZ | FACE, FR. BUMPER *NH676M* | £361.20 | 1 |
| 1 | PFKL765950 | 71101S2A316ZE | FACE, FR. BUMPER *NH630M* | £427.83 | 1 |
| 1 | PFKL2642868 | 04711S2A306ZZ | FACE, FR. BUMPER *NH547* | £361.20 | 1 |
| 1 | PFKL765947 | 71101S2A316ZB | FACE, FR. BUMPER *B523P* | £427.83 | 1 |
| 2 | PFKL766654 | 71102S2A010 | GRILLE, FR. BUMPER | £57.62 | 1 |
| 3 | PFKL766804 | 71103S2A000 | STIFFENER, FR. BUMPER UPPER | £17.68 | 1 |
| 5 | PFKL767014 | 71105S2A000 | STIFFENER, R. FR. BUMPER | £9.05 | 1 |
| 6 | PFKL767044 | 71106S2A000 | STIFFENER, L. FR. BUMPER | £9.05 | 1 |
| 7 | PFKL767255 | 71108S2A010 | SEAL, FR. BUMPER | £30.08 | 1 |
| 8 | PFKL767536 | 71113SH2000 | NUT, LICENSE PLATE | £9.25 | 2 |
| 9 | PFKL768177 | 71130S2AG01ZZ | BEAM COMP., FR. BUMPER | £145.59 | 1 |
| 10 | PFKL768328 | 71140S2A010ZZ | BEAM COMP., FR. BUMPER UPPER | £58.79 | 1 |
| 11 | PFKL768400 | 71143S2A000ZZ | BEAM COMP., R. FR. BUMPER CORNER UPPER | £23.61 | 1 |
| 12 | PFKL768529 | 71148S2A000ZZ | BEAM COMP., L. FR. BUMPER CORNER UPPER | £23.61 | 1 |
| 13 | PFKL768838 | 71170S2A010 | ABSORBER, FR. BUMPER | £68.24 | 1 |
| 14 | PFKL768907 | 71180S2AG00 | BASE, FR. LICENSE PLATE | £38.35 | 1 |
| 15 | PFKL770420 | 71501S2AG01ZZ | FACE, RR. BUMPER | £378.48 | 1 |
| 17 | PFKL771417 | 71505S2AG01ZT | GARNISH, RR. LICENSE *NH609P* | £95.92 | 1 |
| 17 | PFKL771416 | 71505S2AG01ZS | GARNISH, RR. LICENSE *YR564M* | £95.92 | 1 |

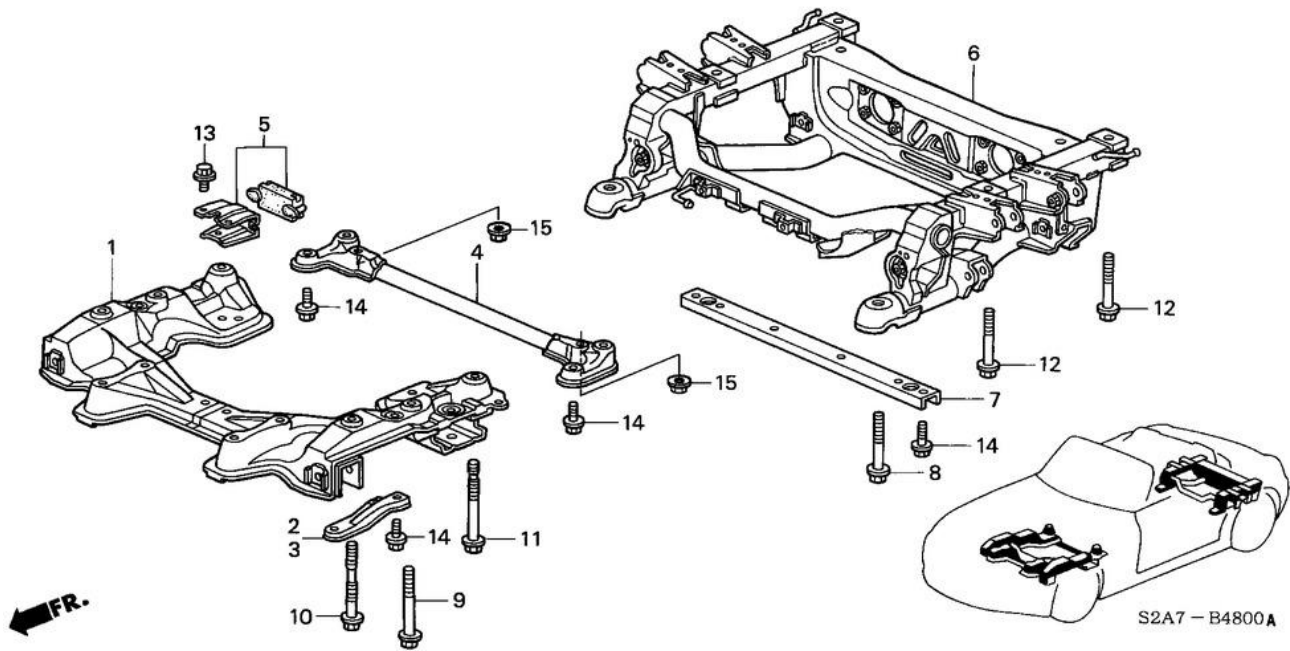
| | | | | | |
|----|----------------------------|---------------|------------------------------------|---------|---|
| 17 | PFL771415 | 71505S2AG01ZR | GARNISH, RR. LICENSE *B545P* | £104.95 | 1 |
| 17 | PFL771414 | 71505S2AG01ZQ | GARNISH, RR. LICENSE *Y65P* | £104.95 | 1 |
| 17 | PFL771407 | 71505S2AG01ZE | GARNISH, RR. LICENSE *R510* | £104.95 | 1 |
| 17 | PFL771412 | 71505S2AG01ZN | GARNISH, RR. LICENSE *B523P* | £95.92 | 1 |
| 17 | PFL771410 | 71505S2AG01ZL | GARNISH, RR. LICENSE *R508P* | £158.36 | 1 |
| 17 | PFL771408 | 71505S2AG01ZH | GARNISH, RR. LICENSE *B513M* | £95.92 | 1 |
| 17 | PFL771411 | 71505S2AG01ZM | GARNISH, RR. LICENSE *YR536P* | £95.92 | 1 |
| 17 | PFL771405 | 71505S2AG01ZB | GARNISH, RR. LICENSE *NH547* | £104.95 | 1 |
| 17 | PFL771406 | 71505S2AG01ZD | GARNISH, RR. LICENSE *NH630M* | £95.92 | 1 |
| 17 | PFL771413 | 71505S2AG01ZP | GARNISH, RR. LICENSE *NH676M* | £104.95 | 1 |
| 18 | PFL771451 | 71506S2AG01 | BRACKET, R. RR. LICENSE SIDE | £28.05 | 1 |
| 19 | PFL771526 | 71507S2AG01 | BRACKET, L. RR. LICENSE SIDE | £28.05 | 1 |
| 20 | PFL771544 | 71508S2AG01 | BRACKET, RR. LOWER LICENSE GARNISH | £42.05 | 1 |
| 21 | PFL771996 | 71530S2AA00ZZ | BEAM COMP., RR. BUMPER | £168.47 | 1 |
| 22 | PFL772319 | 71581S2A003 | SPACER, R. RR. BUMPER | £27.91 | 1 |
| 23 | PFL772325 | 71586S2A003 | SPACER, L. RR. BUMPER | £27.91 | 1 |
| 24 | PFL980102 | 90103SD4000 | SCREW, TAPPING, 5X16 | £5.49 | 1 |
| 25 | PFL980127 | 90103SP0000 | BOLT, CORNER CLIP | £7.61 | 2 |
| 26 | PFL998436 | 90663SB0003 | GROMMET, SCREW, 5MM (YELLOW) | £4.09 | 2 |
| 27 | PFL981353 | 90107SX0003 | GROMMET, BUMPER END | £4.81 | 2 |
| 28 | PFL981568 | 90108SF1000 | BOLT-WASHER, 6X15 | £4.99 | 8 |
| 30 | PFL981599 | 90108S0A003 | BOLT, FLANGE, 6X15 | £4.03 | 2 |
| 31 | PFL981794 | 90109SS0000 | SCREW, TAPPING, 5X20 | £5.53 | 4 |
| 32 | PFL982424 | 90112SS0000 | BOLT, FLANGE, 6X12 | £5.09 | 2 |
| 33 | PFL985148 | 90130SR2003 | BOLT ASSY., BUMPER | £7.04 | 5 |
| 34 | PFL1017383 | 934040601604 | BOLT-WASHER, 6X16 | £1.87 | 2 |
| 35 | PFL989133 | 90301S2A003 | NUT, SPEED (3.5MM) | £3.10 | 8 |
| 36 | PFL990134 | 90308SB2013 | NUT, SUSPENSION, 5MM | £5.71 | 1 |
| 37 | PFL1011843 | 91503SZ3003 | CLIP A, BUMPER | £4.23 | 5 |
| 38 | PFL1017477 | 934050601608 | BOLT-WASHER, 6X16 | £2.30 | 8 |
| 39 | PFL1017511 | 934050802508 | BOLT-WASHER, 8X25 | £2.30 | 5 |
| 40 | PFL1017565 | 934071002508 | BOLT-WASHER, 10X25 | £3.10 | 4 |
| 41 | PFL1020143 | 9390115380 | SCREW, TAPPING, 5X16 | £1.44 | 6 |
| 43 | PFL1020858 | 9391325120 | SCREW, TAPPING, 5X10 (PO) | £1.44 | 9 |
| 44 | PFL1021373 | 9407106080 | NUT-WASHER, 6MM | £1.87 | 2 |
| 45 | PFL982812 | 90114SE0000 | SCREW, TAPPING, 5X20 | £6.08 | 2 |
| 46 | PFL981354 | 90107S0XA01 | GROMMET, BUMPER END | £3.37 | 2 |
| 47 | PFL1017290 | 934030601204 | BOLT-WASHER, 6X12 | £2.14 | 2 |
| 48 | PFL766928 | 71104S2A010ZU | COVER, FR. TOWING HOOK *YR564M* | £0.00 | 1 |
| 48 | PFL766917 | 71104S2A010ZD | COVER, FR. TOWING HOOK *NH630M* | £12.78 | 1 |
| 48 | PFL766927 | 71104S2A010ZT | COVER, FR. TOWING HOOK *B545P* | £12.77 | 1 |
| 48 | PFL766926 | 71104S2A010ZS | COVER, FR. TOWING HOOK *Y65P* | £12.78 | 1 |
| 48 | PFL766922 | 71104S2A010ZM | COVER, FR. TOWING HOOK *R508P* | £12.77 | 1 |
| 48 | PFL766925 | 71104S2A010ZR | COVER, FR. TOWING HOOK *NH676M* | £12.78 | 1 |
| 48 | PFL766915 | 71104S2A010ZB | COVER, FR. TOWING HOOK *NH547* | £12.78 | 1 |
| 48 | PFL766918 | 71104S2A010ZE | COVER, FR. TOWING HOOK *R510* | £12.78 | 1 |

| | | | | | |
|----|-----------------------------|---------------|---------------------------------|---------|---|
| 48 | PFKL766919 | 71104S2A010ZH | COVER, FR. TOWING HOOK *B513M* | £12.78 | 1 |
| 48 | PFKL766921 | 71104S2A010ZL | COVER, FR. TOWING HOOK *NH609P* | £12.77 | 1 |
| 48 | PFKL766923 | 71104S2A010ZN | COVER, FR. TOWING HOOK *YR536P* | £12.77 | 1 |
| 48 | PFKL766924 | 71104S2A010ZP | COVER, FR. TOWING HOOK *B523P* | £12.78 | 1 |
| 49 | PFKL767548 | 71114S2A000 | SEAL, BUMPER | £7.49 | 3 |
| 50 | PFKL768388 | 71142S2A000 | BRACKET, FR. PERFORMANCE ROD | £9.21 | 2 |
| 51 | PFKL2518474 | 71502S2A305 | PROTECTOR, R. RR. BUMPER | £18.89 | 1 |
| 52 | PFKL771246 | 71504S2A010ZH | COVER, RR. TOWING HOOK *B513M* | £12.78 | 1 |
| 52 | PFKL771244 | 71504S2A010ZD | COVER, RR. TOWING HOOK *NH630M* | £12.78 | 1 |
| 52 | PFKL771242 | 71504S2A010ZB | COVER, RR. TOWING HOOK *NH547* | £12.78 | 1 |
| 52 | PFKL771253 | 71504S2A010ZS | COVER, RR. TOWING HOOK *Y65P* | £12.78 | 1 |
| 52 | PFKL771245 | 71504S2A010ZE | COVER, RR. TOWING HOOK *R510* | £12.78 | 1 |
| 52 | PFKL771248 | 71504S2A010ZL | COVER, RR. TOWING HOOK *NH609P* | £12.74 | 1 |
| 52 | PFKL771250 | 71504S2A010ZN | COVER, RR. TOWING HOOK *YR536P* | £12.78 | 1 |
| 52 | PFKL771249 | 71504S2A010ZM | COVER, RR. TOWING HOOK *R508P* | £12.78 | 1 |
| 52 | PFKL771251 | 71504S2A010ZP | COVER, RR. TOWING HOOK *B523P* | £12.78 | 1 |
| 52 | PFKL771252 | 71504S2A010ZR | COVER, RR. TOWING HOOK *NH676M* | £12.78 | 1 |
| 52 | PFKL771255 | 71504S2A010ZU | COVER, RR. TOWING HOOK *YR564M* | £12.78 | 1 |
| 52 | PFKL771254 | 71504S2A010ZT | COVER, RR. TOWING HOOK *B545P* | £12.78 | 1 |
| 53 | PFKL802378 | 74615S2A000ZZ | ROD, FR. PERFORMANCE | £124.92 | 1 |
| 54 | PFKL1017222 | 934020601008 | BOLT-WASHER, 6X10 | £1.32 | 4 |
| 55 | PFKL771074 | 71503S2A000 | SEAL A, RR. BUMPER | £3.49 | 1 |

B-47 ENGINE MOUNTS

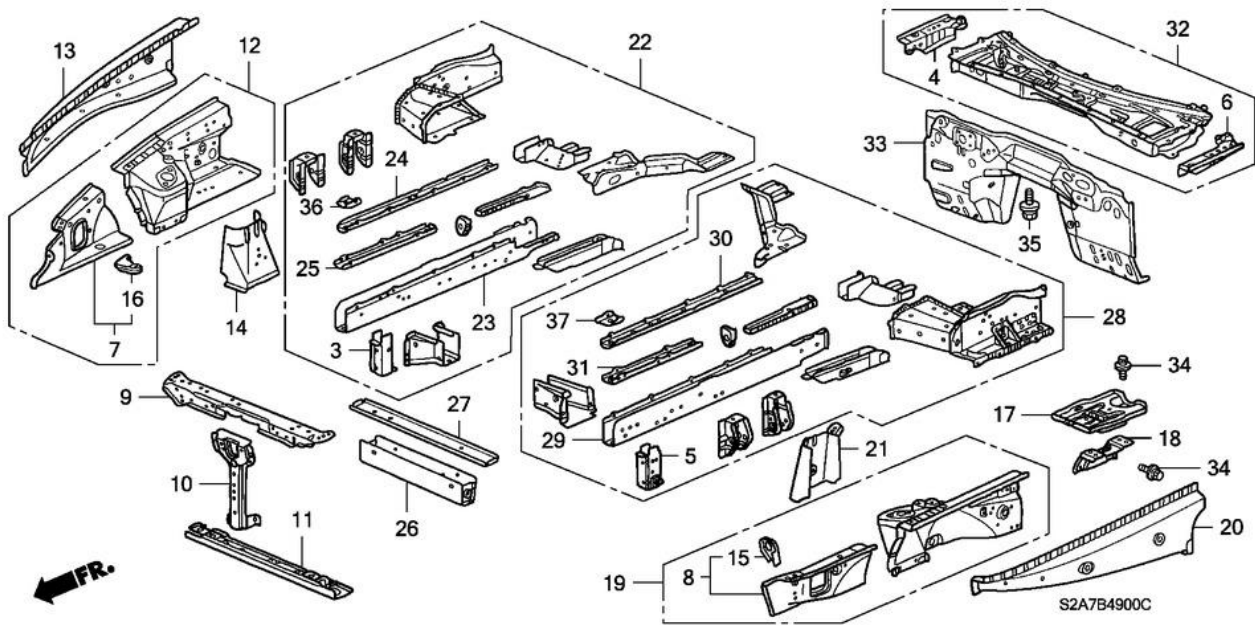


| Ref | Part No | Honda Part No | Description | Price (Each) | Req Qty |
|-----|-----------------------------|---------------|-----------------------------------|--------------|---------|
| 1 | PFKL646267 | 50806S2A000 | RUBBER, TRANSMISSION MOUNTING | £90.23 | 2 |
| 2 | PFKL646294 | 50807S2A010 | BRACKET, TRANSMISSION MOUNT | £42.03 | 1 |
| 3 | PFKL646303 | 50808S2A000 | MASS, MISSION MOUNTING | £13.69 | 4 |
| 4 | PFKL646487 | 50810S2A003 | RUBBER ASSY., FR. ENGINE MOUNTING | £309.84 | 2 |
| 5 | PFKL646669 | 50815S2A013 | STOPPER, R. OUTER | £27.34 | 1 |
| 6 | PFKL646708 | 50816S2A013 | STOPPER, L. OUTER | £0.00 | 1 |
| 7 | PFKL647039 | 50824S2A000 | BRACKET, R. FR. ENGINE MOUNTING | £188.08 | 1 |
| 8 | PFKL647136 | 50825S2A000 | BRACKET, L. FR. ENGINE MOUNTING | £188.08 | 1 |
| 9 | PFKL647430 | 50835S2A000 | BEAM, MISSION MOUNTING | £90.25 | 1 |
| 10 | PFKL647447 | 50836S2A000 | DAMPER, TRANSMISSION BEAM DYNAMIC | £41.02 | 1 |
| 11 | PFKL987404 | 90167S2A000 | BOLT, FLANGE, 10X40 | £7.61 | 4 |
| 12 | PFKL987439 | 90168S2A010 | BOLT, FLANGE, 10X35 | £4.41 | 4 |
| 12 | PFKL987439 | 90168S2A010 | BOLT, FLANGE, 10X35 | £4.41 | 4 |
| 13 | PFKL1021341 | 9405008080 | NUT, FLANGE, 8MM | £2.68 | 8 |
| 14 | PFKL1021355 | 9405012080 | NUT, FLANGE, 12MM | £2.30 | 6 |
| 15 | PFKL1028254 | 957010601208 | BOLT, FLANGE, 6X12 | £1.87 | 2 |
| 16 | PFKL1028618 | 957011002508 | BOLT, FLANGE, 10X25 | £2.30 | 3 |
| 17 | PFKL1029269 | 958011008008 | BOLT, FLANGE, 10X80 | £3.26 | 2 |



| Ref | Part No | Honda Part No | Description | Price (Each) | Req Qty |
|-----|-----------------------------|---------------|----------------------------------|--------------|---------|
| 1 | PFKL634440 | 50200S2AG01 | SUB FRAME COMP., FR. | £1,201.52 | 1 |
| 2 | PFKL635372 | 50241S2AG00 | GUSSET, R. FR. SUB FRAME | £23.91 | 1 |
| 3 | PFKL635379 | 50242S2AG00 | GUSSET, L. FR. SUB FRAME | £23.91 | 1 |
| 4 | PFKL635531 | 50250S2AG00 | STIFFENER COMP., ENGINE MOUNTING | £144.47 | 1 |
| 5 | PFKL635685 | 50260S2A000 | STOPPER ASSY., ENGINE | £58.10 | 1 |
| 6 | PFKL635956 | 50300S2AA02 | BEAM, RR. SUSPENSION CROSS | £2,234.95 | 1 |
| 7 | PFKL638624 | 50400S2AA01 | STIFFENER, RR. SUSPENSION | £43.72 | 1 |
| 8 | PFKL987017 | 90161SR3000 | BOLT, FLANGE, 14X107 | £13.60 | 2 |
| 9 | PFKL987028 | 90161S2A000 | BOLT, FLANGE, 14X160 | £20.15 | 2 |
| 10 | PFKL987109 | 90162S2A000 | BOLT, FLANGE, 14X130 | £15.68 | 2 |
| 11 | PFKL987188 | 90163S2A000 | BOLT, FLANGE, 12X202 | £22.40 | 2 |
| 12 | PFKL987257 | 90164S2A000 | BOLT, FLANGE, 12X162 | £17.90 | 4 |
| 13 | PFKL1028447 | 957010801608 | BOLT, FLANGE, 8X16 | £2.14 | 3 |
| 14 | PFKL1028600 | 957011001608 | BOLT, FLANGE, 10X16 | £2.09 | 14 |
| 15 | PFKL1021350 | 9405010080 | NUT, FLANGE, 10MM | £2.09 | 2 |

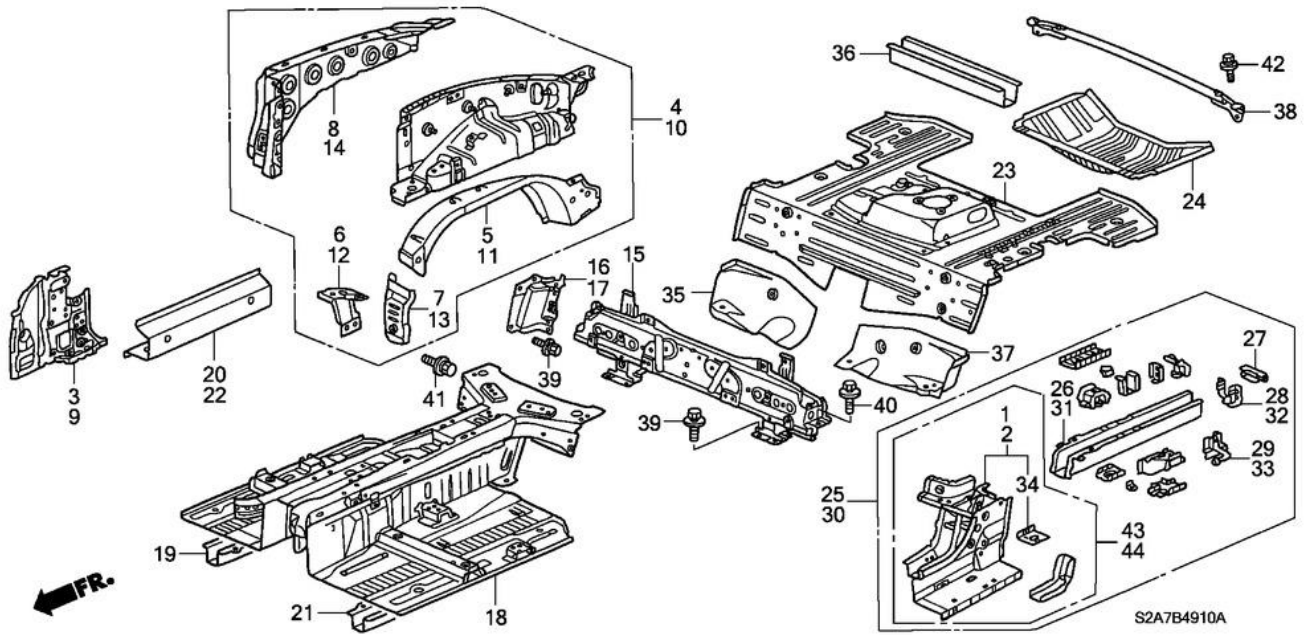
B-49 FRONT BULKHEAD/DASHBOARD



| Ref | Part No | Honda Part No | Description | Price (Each) | Req Qty |
|-----|----------------------------|---------------|---------------------------------------|--------------|---------|
| 3 | PFKL215027 | 04606S2AA00ZZ | PLATE, R. BULKHEAD LOWER CROSS MEMBER | £59.53 | 1 |
| 4 | PFKL215365 | 04612S2A300ZZ | MEMBER SET, R. DASHBOARD UPPER SIDE | £0.00 | 1 |
| 5 | PFKL215432 | 04616S2AA00ZZ | PLATE, L. BULKHEAD LOWER CROSS MEMBER | £59.53 | 1 |
| 6 | PFKL215465 | 04617S2A300ZZ | MEMBER SET, L. DASHBOARD UPPER SIDE | £0.00 | 1 |
| 7 | PFKL216890 | 04642S2AE01ZZ | WHEELHOUSE SUB SET, R. FR. | £53.06 | 1 |
| 8 | PFKL217806 | 04652S2AE02ZZ | WHEELHOUSE SUB SET, L. FR. | £52.18 | 1 |
| 9 | PFKL707865 | 60431S2AA00ZZ | FRAME, BULKHEAD UPPER | £102.12 | 1 |
| 10 | PFKL707923 | 60434S2AA01ZZ | STAY, BULKHEAD CENTER | £29.71 | 1 |
| 11 | PFKL707969 | 60440S2AA00ZZ | CROSSMEMBER COMP., FR. LOWER | £124.35 | 1 |
| 12 | PFKL708532 | 60610S2AE04ZZ | WHEELHOUSE COMP., R. FR. | £316.89 | 1 |
| 13 | PFKL708682 | 60614S2A300ZZ | MEMBER, R. FR. WHEELHOUSE UPPER | £90.64 | 1 |
| 14 | PFKL708696 | 60615S2A300ZZ | STIFFENER, R. FR. SHOCK ABSORBER | £47.59 | 1 |
| 15 | PFKL708709 | 60617S2A300ZZ | BRACKET, OPEN STAY | £7.39 | 1 |
| 16 | PFKL708718 | 60618S2A300ZZ | BRACKET, ROD HOLDER | £7.39 | 1 |
| 17 | PFKL708804 | 60630S2A020ZZ | BASE COMP., BATTERY | £67.04 | 1 |
| 18 | PFKL708873 | 60638S2A000ZZ | BASE COMP., BATTERY SETTING | £0.00 | 1 |
| 19 | PFKL709638 | 60710S2AE04ZZ | WHEELHOUSE COMP., L. FR. | £0.00 | 1 |
| 20 | PFKL709789 | 60714S2A300ZZ | MEMBER, L. FR. WHEELHOUSE UPPER | £90.64 | 1 |
| 21 | PFKL709805 | 60715S2A300ZZ | STIFFENER, L. FR. SHOCK ABSORBER | £0.00 | 1 |
| 22 | PFKL710659 | 60810S2AE03ZZ | FRAME COMP., R. FR. SIDE | £0.00 | 1 |
| 23 | PFKL710767 | 60811S2AA02ZZ | FRAME, R. FR. SIDE | £199.94 | 1 |
| 24 | PFKL710838 | 60812S2AA02ZZ | PLATE, R. FR. SIDE | £0.00 | 1 |
| 25 | PFKL710857 | 60813S2A320ZZ | STIFFENER, R. FR. SIDE | £44.60 | 1 |
| 26 | PFKL711086 | 60835S2AA00ZZ | CROSSMEMBER, FR. UPPER | £86.52 | 1 |
| 27 | PFKL711090 | 60836S2AA01ZZ | PLATE, FR. UPPER | £33.57 | 1 |
| 28 | PFKL711616 | 60910S2AE03ZZ | FRAME COMP., L. FR. SIDE | £0.00 | 1 |
| 29 | PFKL711691 | 60911S2AA02ZZ | FRAME, L. FR. SIDE | £199.97 | 1 |

| | | | | | |
|----|-----------------------------|---------------|----------------------------|--------|---|
| 30 | PFKL711734 | 60912S2AA02ZZ | PLATE, L. FR. SIDE | £58.94 | 1 |
| 31 | PFKL711753 | 60913S2A320ZZ | STIFFENER, L. FR. SIDE | £47.59 | 1 |
| 32 | PFKL715223 | 61100S2AE01ZZ | DASHBOARD COMP., UPPER | £0.00 | 1 |
| 33 | PFKL722187 | 61500S2AE01ZZ | DASHBOARD COMP., LOWER | £0.00 | 1 |
| 34 | PFKL980764 | 90105SV1000 | BOLT-WASHER, 8X20 | £4.54 | 5 |
| 35 | PFKL1017467 | 934050601208 | BOLT-WASHER, 6X12 | £2.14 | 4 |
| 36 | PFKL710954 | 60821S2A300ZZ | STIFFENER, R. FR. SIDE (B) | £0.00 | 1 |
| 37 | PFKL711807 | 60921S2A300ZZ | STIFFENER, L. FR. SIDE (B) | £0.00 | 1 |

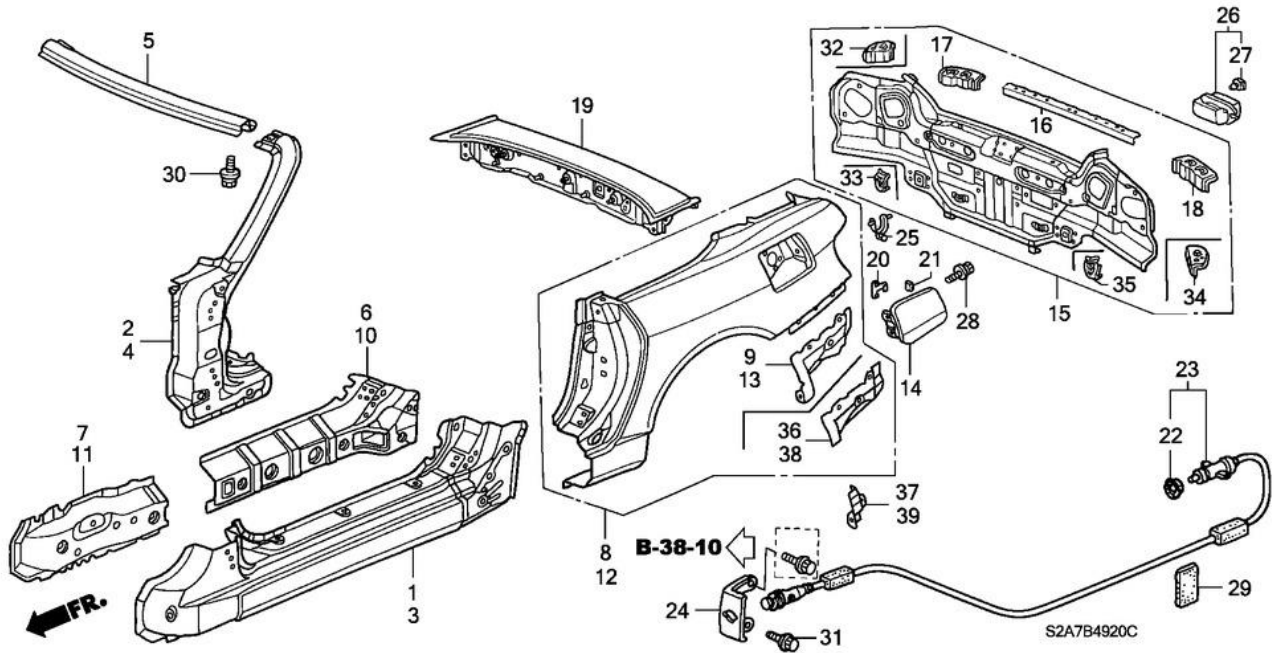
B-49-10 FLOOR/INNER PANELS



| Ref | Part No | Honda Part No | Description | Price (Each) | Req Qty |
|-----|----------------------------|---------------|-----------------------------------|--------------|---------|
| 3 | PFKL730534 | 64130S2AE02ZZ | PILLAR COMP., R. FR. INNER LOWER | £0.00 | 1 |
| 4 | PFKL739173 | 64300S2AA02ZZ | PANEL COMP., R. RR. INSIDE | £0.00 | 1 |
| 5 | PFKL739686 | 64301S2A300ZZ | PANEL, R. RR. INSIDE | £116.80 | 1 |
| 6 | PFKL740494 | 64305S2A310ZZ | BASE COMP., R. RR. JACK UP | £0.00 | 1 |
| 7 | PFKL742195 | 64321S2AJ00ZZ | EXTENSION, R. RR. WHEEL ARCH | £104.69 | 1 |
| 8 | PFKL744267 | 64361S2A300ZZ | STIFFENER, R. RR. FENDER | £268.41 | 1 |
| 9 | PFKL747721 | 64530S2AE02ZZ | PILLAR COMP., L. FR. INNER LOWER | £0.00 | 1 |
| 10 | PFKL749042 | 64700S2AA01ZZ | PANEL COMP., L. RR. INSIDE | £1,144.97 | 1 |
| 11 | PFKL749086 | 64701S2A300ZZ | PANEL, L. RR. INSIDE | £116.80 | 1 |
| 12 | PFKL749087 | 64705S2A300ZZ | BASE COMP., L. RR. JACK UP | £101.23 | 1 |
| 13 | PFKL749167 | 64721S2AJ00ZZ | EXTENSION, L. RR. WHEEL ARCH | £104.69 | 1 |
| 14 | PFKL749374 | 64761S2A300ZZ | STIFFENER, L. RR. FENDER | £0.00 | 1 |
| 15 | PFKL749429 | 64810S2A000ZZ | FRAME COMP., ROLL BAR | £0.00 | 1 |
| 16 | PFKL749583 | 64819S2A000ZZ | GUSSET, R. CORNER | £0.00 | 1 |
| 17 | PFKL750108 | 64869S2A000ZZ | GUSSET, L. CORNER | £0.00 | 1 |
| 18 | PFKL750427 | 65100S2AE03ZZ | FLOOR COMP., FR. | £0.00 | 1 |
| 19 | PFKL750508 | 65115S2AA00ZZ | FRAME, R. FR. FLOOR | £0.00 | 1 |
| 20 | PFKL750727 | 65141S2AA00ZZ | SILL, R. FR. INSIDE | £45.60 | 1 |
| 21 | PFKL750769 | 65165S2AA00ZZ | FRAME, L. FR. FLOOR | £0.00 | 1 |
| 22 | PFKL750956 | 65191S2AA00ZZ | SILL, L. FR. INSIDE | £0.00 | 1 |
| 23 | PFKL751095 | 65510S2AG01ZZ | FLOOR COMP., RR. | £534.95 | 1 |
| 24 | PFKL751170 | 65517S2AA01ZZ | PAN, BAGGAGE | £309.58 | 1 |
| 25 | PFKL751446 | 65610S2AG00ZZ | FRAME COMP., R. RR. | £0.00 | 1 |
| 26 | PFKL751493 | 65611S2AA01ZZ | FRAME, R. RR. | £128.32 | 1 |
| 27 | PFKL751502 | 65613S2A300ZZ | REINFORCEMENT, RR. BUMPER | £17.99 | 2 |
| 28 | PFKL751507 | 65614S2AA00ZZ | REINFORCEMENT, R. RR. TIE DOWN | £37.91 | 1 |
| 29 | PFKL751572 | 65620S2A300ZZ | BRACKET, R. RR. SILENCER MOUNTING | £0.00 | 2 |

| | | | | | |
|----|-----------------------------|---------------|-----------------------------------|---------|----|
| 30 | PFKL751879 | 65660S2AG04ZZ | FRAME COMP., L. RR. | £0.00 | 1 |
| 31 | PFKL751930 | 65661S2AA01ZZ | FRAME, L. RR. | £0.00 | 1 |
| 32 | PFKL751943 | 65664S2AA00ZZ | REINFORCEMENT, L. RR. TIE DOWN | £0.00 | 1 |
| 33 | PFKL751984 | 65670S2A300ZZ | BRACKET, L. RR. SILENCER MOUNTING | £22.45 | 2 |
| 34 | PFKL752173 | 65703S2A300ZZ | PATCH, MIDDLE TIE DOWN | £0.00 | 2 |
| 35 | PFKL752174 | 65706S2AA00ZZ | PANEL, R. MIDDLE FLOOR | £0.00 | 1 |
| 36 | PFKL752340 | 65751S2AA00ZZ | CROSSMEMBER COMP., RR. FLOOR | £126.20 | 1 |
| 37 | PFKL752347 | 65766S2AA00ZZ | PANEL, L. MIDDLE FLOOR | £0.00 | 1 |
| 38 | PFKL802356 | 74610S2A010ZZ | BAR, RR. TOWER | £0.00 | 1 |
| 39 | PFKL1017386 | 934040601608 | BOLT-WASHER, 6X16 | £1.87 | 24 |
| 40 | PFKL1017438 | 934040802008 | BOLT-WASHER, 8X20 | £1.85 | 2 |
| 41 | PFKL1017504 | 934050801608 | BOLT-WASHER, 8X16 | £2.09 | 4 |
| 42 | PFKL1017532 | 934060801608 | BOLT-WASHER, 8X16 | £1.85 | 7 |
| 43 | PFKL218175 | 04658S2AA02ZZ | PANEL SET, R. RR. FRAME OUTRIGGER | £0.00 | 1 |
| 44 | PFKL218185 | 04659S2AA03ZZ | PANEL SET, L. RR. FRAME OUTRIGGER | £0.00 | 1 |

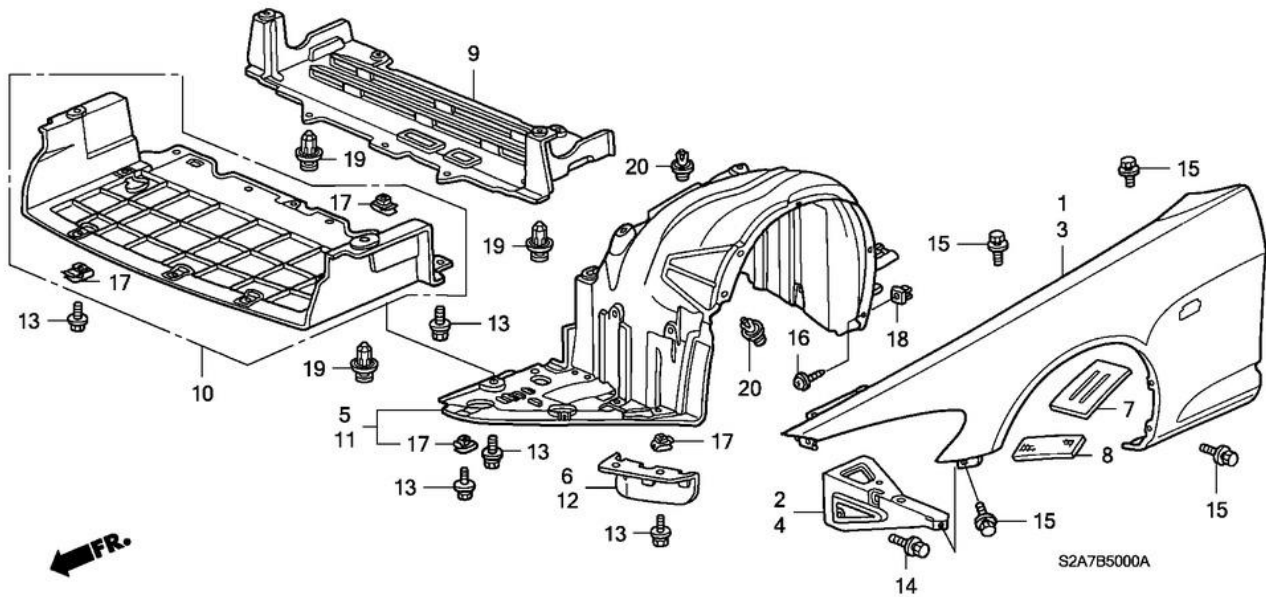
B-49-20 OUTER PANELS/REAR PANEL



| Ref | Part No | Honda Part No | Description | Price (Each) | Req Qty |
|-----|-----------------------------|---------------|-----------------------------------|--------------|---------|
| 1 | PFKL215723 | 04631S2A310ZZ | PANEL, R. SIDE SILL | £223.74 | 1 |
| 2 | PFKL216542 | 04637S2A300ZZ | PILLAR SET, R. FR. INNER UPPER | £660.96 | 1 |
| 3 | PFKL216745 | 04641S2A310ZZ | PANEL, L. SIDE SILL | £223.74 | 1 |
| 4 | PFKL217697 | 04647S2A300ZZ | PILLAR SET, L. FR. INNER UPPER | £660.96 | 1 |
| 5 | PFKL724305 | 62120S2A310ZZ | RAIL COMP., FR. ROOF | £185.64 | 1 |
| 6 | PFKL726472 | 63112S2A310ZZ | STIFFENER, R. SIDE SILL | £141.36 | 1 |
| 7 | PFKL726605 | 63135S2A300ZZ | STIFFENER, R. SIDE SILL EXTENSION | £112.59 | 1 |
| 8 | PFKL726989 | 63300S2A310ZZ | PANEL COMP., R. RR. FENDER | £655.05 | 1 |
| 10 | PFKL727734 | 63512S2A310ZZ | STIFFENER, L. SIDE SILL | £109.71 | 1 |
| 11 | PFKL727837 | 63535S2A300ZZ | STIFFENER, L. SIDE SILL EXTENSION | £109.71 | 1 |
| 12 | PFKL728233 | 63700S2A310ZZ | PANEL COMP., L. RR. FENDER | £655.05 | 1 |
| 14 | PFKL728579 | 63910S2A000ZZ | LID COMP., FUEL FILLER | £80.89 | 1 |
| 15 | PFKL753265 | 66100S2AG03ZZ | PANEL COMP., RR. | £311.39 | 1 |
| 16 | PFKL753479 | 66118S2A300ZZ | STIFFENER, RR. BUMPER FACE CENTER | £37.46 | 1 |
| 17 | PFKL753491 | 66119S0A300ZZ | STIFFENER, R. RR. BUMPER SIDE | £25.94 | 1 |
| 18 | PFKL753896 | 66169S0A300ZZ | STIFFENER, L. RR. BUMPER SIDE | £25.94 | 1 |
| 19 | PFKL754988 | 66510S2A305ZZ | FRAME COMP., RR. WINDSHIELD LOWER | £491.30 | 1 |
| 20 | PFKL763268 | 70494SE0000 | SPRING, FUEL LID OPENER | £8.80 | 1 |
| 21 | PFKL763275 | 70495692000 | CUSHION, FUEL FILLER LID | £3.85 | 2 |
| 22 | PFKL792834 | 73219693951 | SEAL, FUEL LID OPENER (GREEN) | £3.11 | 1 |
| 23 | PFKL801618 | 74411S2A000 | CABLE, FUEL LID OPENER | £66.33 | 1 |
| 24 | PFKL801640 | 74412S2A000 | BRACKET, FUEL LID OPENER | £13.47 | 1 |
| 25 | PFKL801674 | 74423SZ3003 | HOLDER, FUEL CAP | £9.57 | 1 |
| 26 | PFKL811913 | 75450SR3000 | OUTLET ASSY., RR. AIR | £46.58 | 1 |
| 27 | PFKL811993 | 75451SP0000 | CLIP, RR. AIR OUTLET | £4.07 | 2 |
| 28 | PFKL980124 | 90103SM4010 | BOLT, FLANGE, 6X18 | £3.53 | 2 |
| 29 | PFKL1014645 | 91902SB2003 | CUSHION, WIRE HARNESS (50X100) | £7.43 | 1 |

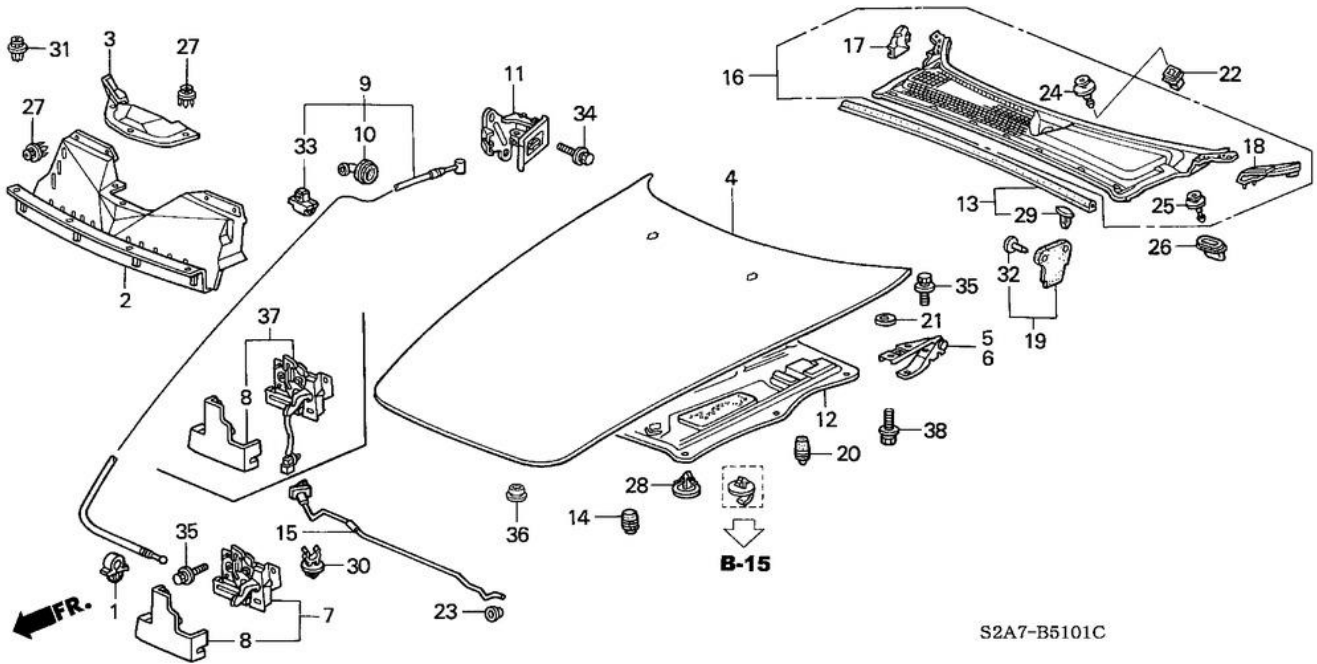
| | | | | | |
|----|-----------------------------|---------------|------------------------------------|--------|---|
| 30 | PFKL1017149 | 934010601208 | BOLT-WASHER, 6X12 | £1.87 | 2 |
| 31 | PFKL1028447 | 957010801608 | BOLT, FLANGE, 8X16 | £2.14 | 1 |
| 32 | PFKL753454 | 66117S2A300ZZ | BRACKET, R. RR. BUMPER SIDE | £16.82 | 1 |
| 33 | PFKL753542 | 66121S2A300ZZ | BRACKET, R. RR. BUMPER LOWER | £28.02 | 1 |
| 34 | PFKL753889 | 66167S2A300ZZ | BRACKET, L. RR. BUMPER SIDE | £13.29 | 1 |
| 35 | PFKL753908 | 66171S2A300ZZ | BRACKET, L. RR. BUMPER LOWER | £28.02 | 1 |
| 36 | PFKL727203 | 63321S2A310ZZ | EXTENSION, R. RR. FENDER LOWER | £69.83 | 1 |
| 37 | PFKL727211 | 63322S2A310ZZ | REINFORCEMENT, R. RR. FENDER LOWER | £21.90 | 1 |
| 38 | PFKL728424 | 63721S2A310ZZ | EXTENSION, L. RR. FENDER LOWER | £69.83 | 1 |
| 39 | PFKL728433 | 63722S2A310ZZ | REINFORCEMENT, L. RR. FENDER LOWER | £0.00 | 1 |

B-50 FRONT FENDERS



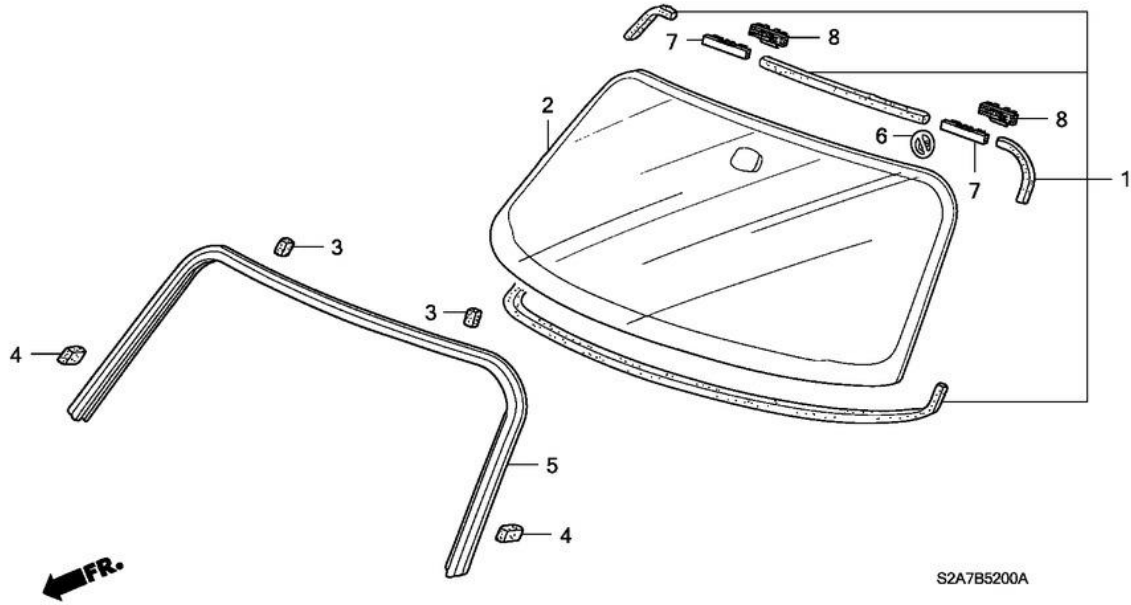
| Ref | Part No | Honda Part No | Description | Price (Each) | Req Qty |
|-----|-----------------------------|---------------|----------------------------|--------------|---------|
| 1 | PFKL706650 | 60210S2A020ZZ | PANEL COMP., R. FR. FENDER | £391.24 | 1 |
| 2 | PFKL706951 | 60212S2A000ZZ | STAY, R. FR. FENDER | £29.85 | 1 |
| 3 | PFKL707033 | 60260S2A020ZZ | PANEL COMP., L. FR. FENDER | £391.24 | 1 |
| 4 | PFKL707316 | 60262S2A000ZZ | STAY, L. FR. FENDER | £29.85 | 1 |
| 5 | PFKL798272 | 74100S2A010 | FENDER ASSY., R. FR. INNER | £109.12 | 1 |
| 6 | PFKL798405 | 74102S2A000 | STRAKE, R. FR. | £30.85 | 1 |
| 7 | PFKL798440 | 74108S2A000 | TAPE, STIFFENER (250X130) | £15.40 | 2 |
| 8 | PFKL798442 | 74109S2A000 | TAPE, STIFFENER (220X80) | £6.32 | 2 |
| 9 | PFKL798532 | 74111S2A000 | SHIELD, FR. SPLASH | £88.11 | 1 |
| 10 | PFKL798561 | 74112S2A010 | COVER, FR. UNDER | £88.79 | 1 |
| 11 | PFKL799540 | 74150S2A010 | FENDER ASSY., L. FR. INNER | £109.20 | 1 |
| 12 | PFKL799679 | 74152S2A000 | STRAKE, L. FR. | £30.85 | 1 |
| 13 | PFKL980752 | 90105SL4000 | BOLT-WASHER, 6X20 | £6.84 | 14 |
| 14 | PFKL981568 | 90108SF1000 | BOLT-WASHER, 6X15 | £4.99 | 6 |
| 15 | PFKL981599 | 90108S0A003 | BOLT, FLANGE, 6X15 | £4.03 | 18 |
| 16 | PFKL982812 | 90114SE0000 | SCREW, TAPPING, 5X20 | £6.08 | 4 |
| 17 | PFKL989828 | 90305SM4003 | NUT, CLIP, 6MM | £4.90 | 8 |
| 18 | PFKL999717 | 90682SN7G00 | GROMMET, SCREW, 5MM | £3.29 | 4 |
| 19 | PFKL1011843 | 91503SZ3003 | CLIP A, BUMPER | £4.23 | 12 |
| 20 | PFKL1011719 | 91501S04003 | CLIP, INNER FENDER | £2.93 | 34 |

B-51-1 ENGINE HOOD (RH)

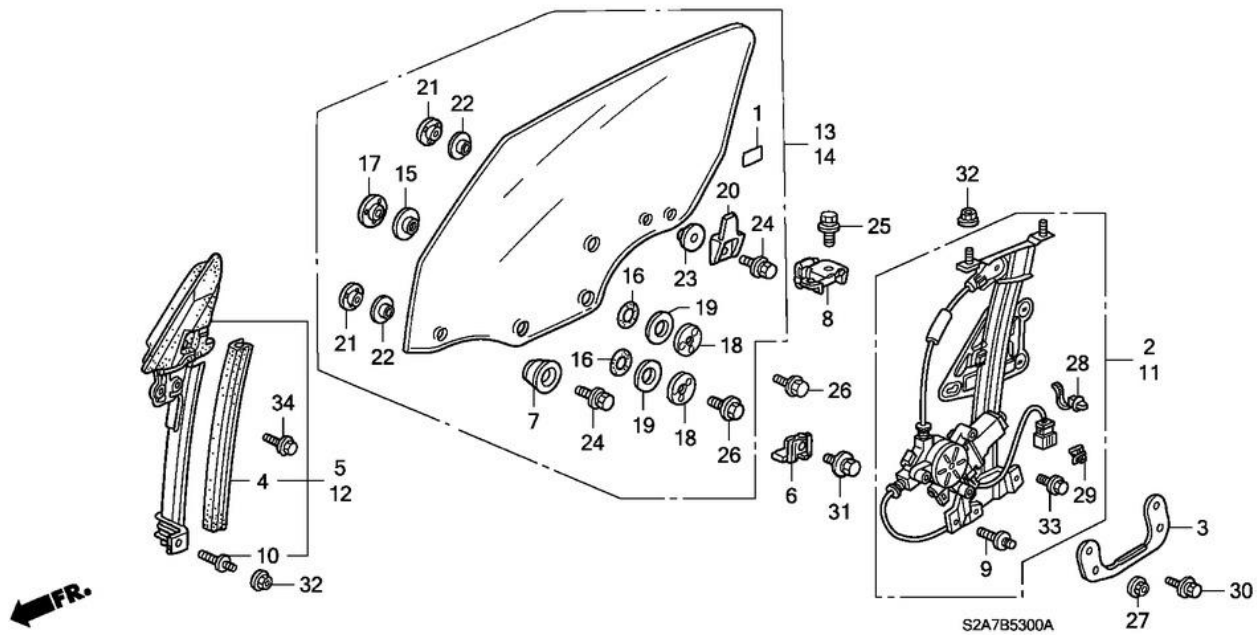


| Ref | Part No | Honda Part No | Description | Price (Each) | Req Qty |
|-----|-----------------------------|---------------|---|--------------|---------|
| 1 | PFKL373425 | 17706SC3003 | CLIP, FUEL PIPE | £5.02 | 1 |
| 2 | PFKL407900 | 19600PCX000 | PLATE, AIR GUIDE | £59.95 | 1 |
| 3 | PFKL407969 | 19601PCX000 | COVER, AIR GUIDE PLATE | £14.08 | 1 |
| 4 | PFKL706299 | 60100S2A020ZZ | HOOD COMP., ENGINE | £520.87 | 1 |
| 5 | PFKL706441 | 60120S2A000ZZ | HINGE COMP., R. HOOD | £29.14 | 1 |
| 6 | PFKL706575 | 60170S2A000ZZ | HINGE COMP., L. HOOD | £29.14 | 1 |
| 8 | PFKL798873 | 74129SK7000 | COVER, HOOD LOCK | £16.65 | 1 |
| 9 | PFKL798967 | 74130S2A003 | WIRE ASSY., HOOD | £38.02 | 1 |
| 10 | PFKL799018 | 74134SM4000 | GROMMET, HOOD WIRE | £6.50 | 1 |
| 11 | PFKL799062 | 74135SK7003ZC | LEVER COMP., HOOD WIRE *NH167L* | £14.16 | 1 |
| 12 | PFKL799194 | 74141S2A030 | INSULATOR, HOOD | £110.06 | 1 |
| 13 | PFKL799313 | 74143S2A000 | RUBBER, RR. HOOD SEAL | £14.60 | 1 |
| 14 | PFKL799328 | 74144SE0000 | CUSHION, HOOD | £6.77 | 2 |
| 15 | PFKL799415 | 74145S2A000 | STAY, HOOD OPENER | £35.17 | 1 |
| 16 | PFKL800141 | 74200S2A000 | COWL TOP ASSY. | £343.90 | 1 |
| 17 | PFKL800524 | 74211S2A000 | COVER, R. HOOD HINGE | £16.12 | 1 |
| 18 | PFKL800891 | 74261S2A000 | COVER, L. HOOD HINGE | £16.12 | 1 |
| 19 | PFKL800924 | 74270S2A000ZB | VALVE, L. DASHBOARD UPPER SIDE DRAIN *NH167L* | £0.00 | 1 |
| 20 | PFKL803830 | 74828ST7900 | STOPPER, TAILGATE | £8.44 | 2 |
| 21 | PFKL994501 | 90502S2A305 | WASHER, PLAIN, 6MM | £2.25 | 4 |
| 22 | PFKL996713 | 90601S30003 | GROMMET, COWL TOP | £3.74 | 1 |
| 23 | PFKL996716 | 90601S84A01 | GROMMET, HOOD OPEN STAY | £6.37 | 1 |
| 24 | PFKL996886 | 90602SX0003 | CLIP, COWL TOP | £3.51 | 1 |
| 25 | PFKL996889 | 90602S2A003 | CLIP, COWL TOP | £5.67 | 8 |
| 26 | PFKL997008 | 90603S2A003 | GROMMET, COWL TOP | £3.42 | 8 |
| 27 | PFKL999869 | 90687SB2901ZF | CLIP, AIRSCOOP GRILLE (BLACK) | £3.29 | 7 |
| 28 | PFKL1011722 | 91501S1K003 | CLIP, ENGINE HOOD INSULATOR | £3.44 | 10 |

| | | | | | |
|----|-----------------------------|---------------|--------------------------------|--------|---|
| 29 | PFKL1011806 | 91502S84A11 | CLIP, SEAL RUBBER (ORANGE) | £2.84 | 7 |
| 30 | PFKL1011839 | 91503SS0003 | HOLDER, ROD | £6.37 | 1 |
| 31 | PFKL1011843 | 91503SZ3003 | CLIP A, BUMPER | £4.23 | 4 |
| 32 | PFKL1012929 | 91552SH5003ZF | CLIP, RR. SIDE LINING *NH167L* | £0.00 | 2 |
| 33 | PFKL1013189 | 91558SE3003 | CLIP, HOOD WIRE | £6.35 | 5 |
| 34 | PFKL1017158 | 934010601608 | BOLT-WASHER, 6X16 | £1.34 | 2 |
| 35 | PFKL1017383 | 934040601604 | BOLT-WASHER, 6X16 | £1.87 | 7 |
| 36 | PFKL1027827 | 9555120000 | PLUG, BLIND, 20MM | £5.38 | 1 |
| 37 | PFKL798803 | 74120S2AG03 | LOCK ASSY., HOOD | £80.22 | 1 |
| 38 | PFKL1017474 | 934050601605 | BOLT-WASHER, 6X16 | £2.14 | 4 |



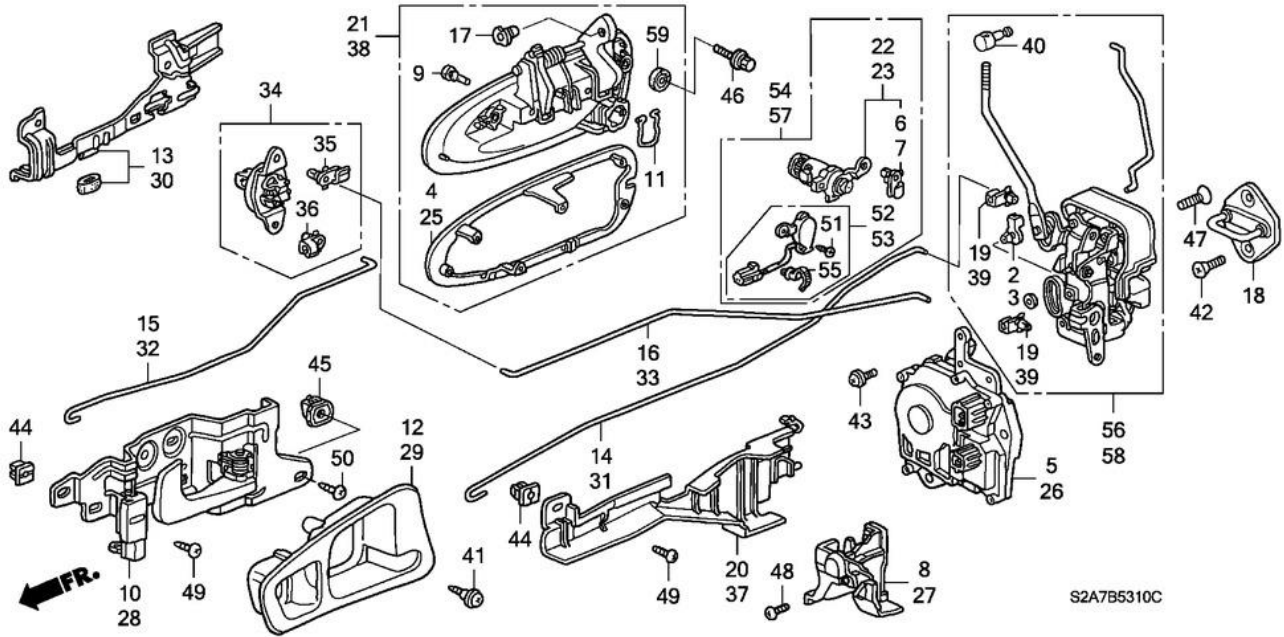
| Ref | Part No | Honda Part No | Description | Price (Each) | Req Qty |
|-----|-----------------------------|---------------|---|--------------|---------|
| 1 | PFKL219189 | 04731S2A000 | RUBBER SET, FR. WINDSHIELD DAM | £43.45 | 1 |
| 2 | PFKL791578 | 73111S2AG01 | GLASS SET, FR. WINDSHIELD (GREEN) (AGC) | £332.26 | 1 |
| 3 | PFKL791674 | 73122S04000 | SEAL A, FR. WINDSHIELD MOLDING | £5.18 | 2 |
| 4 | PFKL791772 | 73127S2A003 | SEAL, FR. WINDSHIELD MOLDING SIDE | £7.49 | 2 |
| 5 | PFKL791926 | 73150S2A013 | MOLDING, FR. WINDSHIELD | £165.39 | 1 |
| 6 | PFKL861974 | 78527S04E80 | LABEL, SRS CAUTION (CHILD SEAT) | £7.49 | 1 |
| 7 | PFKL1013541 | 91568SX0003 | FASTENER A, WINDSHIELD | £10.16 | 2 |
| 8 | PFKL1013557 | 91569SX0013 | FASTENER B, WINDSHIELD | £9.91 | 2 |



| Ref | Part No | Honda Part No | Description | Price (Each) | Req Qty |
|-----|----------------------------|---------------|------------------------------------|--------------|---------|
| 1 | PFKL572239 | 39885S5AG11 | LABEL, IMMOBILIZER & SECURITY | £4.95 | 2 |
| 2 | PFKL782091 | 72210S2AJ02 | REGULATOR ASSY., R. DOOR | £315.54 | 1 |
| 3 | PFKL782253 | 72212S2A000 | PATCH, FR. DOOR REGULATOR LOWER | £0.00 | 2 |
| 4 | PFKL782763 | 72235S2A013 | RUNCHANNEL, FR. DOOR | £23.28 | 2 |
| 5 | PFKL782822 | 72240S2A023 | HOLDER ASSY., R. FR. SASH | £147.58 | 1 |
| 6 | PFKL782840 | 72245ST8A00 | PLATE, DOOR GLASS STOPPER | £0.00 | 4 |
| 7 | PFKL782842 | 72246SG0003 | STOPPER, DOOR GLASS UPPER | £7.54 | 4 |
| 8 | PFKL782847 | 72246SL4003 | STABILIZER, DOOR PANEL | £0.00 | 2 |
| 9 | PFKL782871 | 72249SK7000 | BOLT, DOOR ADJUST | £0.00 | 4 |
| 10 | PFKL782873 | 72249SW5000 | BOLT, DOOR ADJUST | £0.00 | 2 |
| 11 | PFKL783082 | 72250S2AJ02 | REGULATOR ASSY., L. DOOR | £320.14 | 1 |
| 12 | PFKL783629 | 72280S2A023 | HOLDER ASSY., L. FR. SASH | £147.58 | 1 |
| 13 | PFKL793611 | 73300S2AE10 | GLASS ASSY., R. DOOR (GREEN) (AGC) | £199.44 | 1 |
| 14 | PFKL794055 | 73350S2AE10 | GLASS ASSY., L. DOOR (GREEN) (AGC) | £199.44 | 1 |
| 15 | PFKL795162 | 73572SK8003 | WASHER, DOOR GLASS (A) (BLACK) | £0.00 | 6 |
| 16 | PFKL795163 | 73573SK8003 | WASHER B, DOOR GLASS (WHITE) | £0.00 | 6 |
| 17 | PFKL795164 | 73574SK8000 | NUT, GLASS PLATE | £6.59 | 6 |
| 18 | PFKL795170 | 73594SK8000 | BOLT, DOOR GLASS TIE | £0.00 | 6 |
| 19 | PFKL795377 | 73804SK8000 | WASHER, DOOR GLASS | £0.00 | 6 |
| 20 | PFKL809707 | 75316S2A000 | STABILIZER, DOOR GLASS | £8.41 | 2 |
| 21 | PFKL809710 | 75318SB2000 | NUT, DOOR GLASS STOPPER | £7.12 | 6 |
| 22 | PFKL809711 | 75318SK7003 | WASHER, DOOR GLASS (B) (BLACK) | £4.01 | 6 |
| 23 | PFKL809717 | 75319SK7003 | WASHER, DOOR GLASS (A) (NATURAL) | £3.76 | 2 |
| 24 | PFKL974024 | 90001SB2000 | BOLT-WASHER, 6X17 | £4.46 | 6 |
| 25 | PFKL980139 | 90103S2A000 | BOLT-WASHER, 8X16 | £0.00 | 2 |
| 26 | PFKL986864 | 90158SW5000 | BOLT, DOOR GLASS | £0.00 | 6 |
| 27 | PFKL989325 | 90302SD2003 | NUT-WASHER, 8MM | £2.68 | 4 |

| | | | | | |
|----|-----------------------------|--------------|--|-------|---|
| 28 | PFKL1012593 | 91540SV4003 | CLIP, HARNESS BAND (NATURAL) (145.2MM) | £6.07 | 2 |
| 29 | PFKL1013670 | 91580SM4003 | CLIP, COUPLER (ORANGE) | £4.79 | 2 |
| 30 | PFKL1017467 | 934050601208 | BOLT-WASHER, 6X12 | £2.14 | 4 |
| 31 | PFKL1017504 | 934050801608 | BOLT-WASHER, 8X16 | £2.09 | 4 |
| 32 | PFKL1021374 | 9407108050 | NUT-WASHER, 8MM | £1.87 | 6 |
| 33 | PFKL1028254 | 957010601208 | BOLT, FLANGE, 6X12 | £1.87 | 6 |
| 34 | PFKL1028277 | 957010601608 | BOLT, FLANGE, 6X16 | £1.87 | 4 |

B-53-10 DOOR LOCKS/OUTER HANDLE

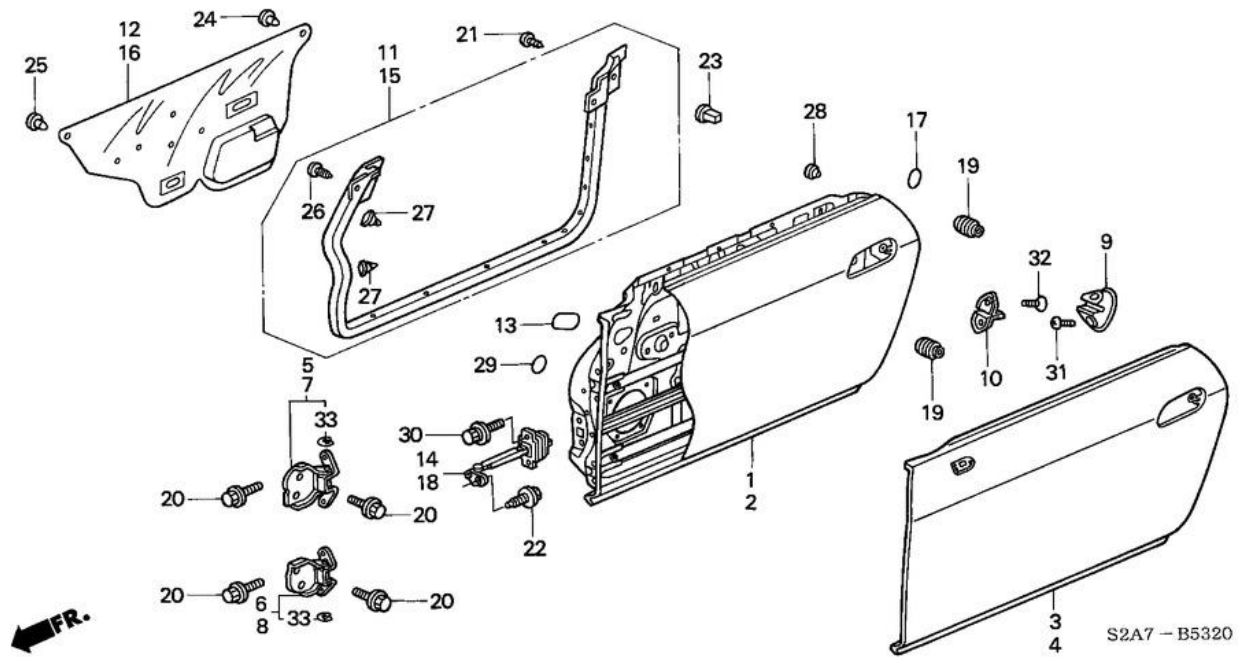


| Ref | Part No | Honda Part No | Description | Price (Each) | Req Qty |
|-----|----------------------------|---------------|--|--------------|---------|
| 2 | PFKL775919 | 72112SR4004 | SNAP (BROWN) | £3.31 | 1 |
| 3 | PFKL775929 | 72113SR4004 | SNAP (BLACK) | £4.14 | 1 |
| 4 | PFKL775939 | 72114S86K01 | SEAT, R. OUTSIDE HANDLE | £0.00 | 1 |
| 5 | PFKL776005 | 72115S84A11 | ACTUATOR ASSY., DOOR LOCK | £112.90 | 1 |
| 6 | PFKL776031 | 72116S04003 | HOLDER, ROD (SKY BLUE) | £6.94 | 1 |
| 7 | PFKL776055 | 72117S04003 | HOLDER, ROD (YELLOW) | £6.94 | 1 |
| 8 | PFKL776060 | 72117S2A003 | PROTECTOR, R. FR. DOOR LOCK | £10.01 | 1 |
| 9 | PFKL776089 | 72119SM1003 | STOPPER A, OUTSIDE HANDLE | £0.00 | 4 |
| 10 | PFKL776286 | 72120S2AJ01ZA | HANDLE ASSY., R. INSIDE *NH474L* | £55.69 | 1 |
| 11 | PFKL776417 | 72123SR0003 | RING, OUTSIDE HANDLE | £5.54 | 2 |
| 12 | PFKL776520 | 72125SR0A02ZB | CASE, R. INSIDE *NH167L* | £8.99 | 1 |
| 13 | PFKL776677 | 72130S84A00 | PROTECTOR, R. FR. DOOR OUTER HANDLE | £12.74 | 1 |
| 14 | PFKL776735 | 72131S2A013 | ROD, R. FR. INSIDE HANDLE | £9.06 | 1 |
| 15 | PFKL776773 | 72132S2A023 | ROD A, R. FR. INSIDE LOCK | £7.85 | 1 |
| 16 | PFKL776796 | 72133S2A013 | ROD, R. RR. INSIDE LOCK | £7.85 | 1 |
| 17 | PFKL776804 | 72134SM1003 | BUSH, OUTSIDE HANDLE JOINT | £4.03 | 2 |
| 18 | PFKL776823 | 72135S2A003 | STRIKER ASSY., DOOR LOCK | £13.56 | 2 |
| 19 | PFKL776930 | 72139SR0A01 | SNAP (VIOLET) | £3.42 | 2 |
| 20 | PFKL776947 | 72139S2AA01 | PROTECTOR, R. FR. DOOR ROD | £12.10 | 1 |
| 21 | PFKL778169 | 72140S86K02YV | HANDLE ASSY., R. FR. DOOR OUTSIDE *YR536P* | £0.00 | 1 |
| 21 | PFKL778170 | 72140S86K02YW | HANDLE ASSY., R. FR. DOOR OUTSIDE *B523P* | £0.00 | 1 |
| 21 | PFKL778168 | 72140S86K02YU | HANDLE ASSY., R. FR. DOOR OUTSIDE *R508P* | £0.00 | 1 |
| 21 | PFKL778167 | 72140S86K02YT | HANDLE ASSY., R. FR. DOOR OUTSIDE *NH609P* | £0.00 | 1 |
| 21 | PFKL778165 | 72140S86K02YR | HANDLE ASSY., R. FR. DOOR OUTSIDE *B513M* | £0.00 | 1 |
| 21 | PFKL778163 | 72140S86K02YD | HANDLE ASSY., R. FR. DOOR OUTSIDE *R510* | £62.10 | 1 |
| 21 | PFKL778162 | 72140S86K02YC | HANDLE ASSY., R. FR. DOOR OUTSIDE *NH630M* | £91.17 | 1 |
| 21 | PFKL778160 | 72140S86K02YA | HANDLE ASSY., R. FR. DOOR OUTSIDE *NH547* | £62.10 | 1 |

| | | | | | |
|----|-----------------------------|---------------|--|---------|---|
| 21 | PFKL778158 | 72140S86K02A4 | HANDLE ASSY., R. FR. DOOR OUTSIDE *YR564M* | £0.00 | 1 |
| 21 | PFKL778157 | 72140S86K02A3 | HANDLE ASSY., R. FR. DOOR OUTSIDE *B545P* | £79.68 | 1 |
| 21 | PFKL778156 | 72140S86K02A2 | HANDLE ASSY., R. FR. DOOR OUTSIDE *Y65P* | £0.00 | 1 |
| 21 | PFKL778171 | 72140S86K02YY | HANDLE ASSY., R. FR. DOOR OUTSIDE *NH676M* | £62.10 | 1 |
| 23 | PFKL778801 | 72146S0XA51 | CYLINDER, L. DOOR | £102.43 | 1 |
| 25 | PFKL779469 | 72154S86K01 | SEAT, L. OUTSIDE HANDLE | £0.00 | 1 |
| 26 | PFKL779534 | 72155S84A11 | ACTUATOR ASSY., L. FR. DOOR LOCK | £112.90 | 1 |
| 27 | PFKL779580 | 72157S2A003 | PROTECTOR, L. FR. DOOR LOCK | £10.01 | 1 |
| 28 | PFKL779777 | 72160S2AJ01ZA | HANDLE ASSY., L. INSIDE *NH474L* | £55.69 | 1 |
| 29 | PFKL779956 | 72165SR0A02ZB | CASE, L. INSIDE *NH167L* | £8.99 | 1 |
| 30 | PFKL780075 | 72170S84A00 | PROTECTOR, L. FR. DOOR OUTER HANDLE | £12.74 | 1 |
| 31 | PFKL780116 | 72171S2A013 | ROD, L. FR. INSIDE HANDLE | £0.00 | 1 |
| 32 | PFKL780149 | 72172S2A023 | ROD A, L. FR. INSIDE LOCK | £0.00 | 1 |
| 33 | PFKL780167 | 72173S2A013 | ROD, L. RR. INSIDE LOCK | £0.00 | 1 |
| 34 | PFKL780180 | 72175S03003 | CRANK ASSY., LOCK ROD | £9.00 | 2 |
| 35 | PFKL780184 | 72176S03003 | HOLDER, 3.5MM | £6.30 | 2 |
| 36 | PFKL780185 | 72177S03003 | HOLDER, 4.0MM | £6.30 | 2 |
| 37 | PFKL780199 | 72179S2AA01 | PROTECTOR, L. FR. DOOR ROD | £0.00 | 1 |
| 38 | PFKL781529 | 72180S86K02YY | HANDLE ASSY., L. FR. DOOR OUTSIDE *NH676M* | £79.68 | 1 |
| 38 | PFKL781521 | 72180S86K02YD | HANDLE ASSY., L. FR. DOOR OUTSIDE *R510* | £62.10 | 1 |
| 38 | PFKL781523 | 72180S86K02YR | HANDLE ASSY., L. FR. DOOR OUTSIDE *B513M* | £0.00 | 1 |
| 38 | PFKL781525 | 72180S86K02YT | HANDLE ASSY., L. FR. DOOR OUTSIDE *NH609P* | £62.10 | 1 |
| 38 | PFKL781526 | 72180S86K02YU | HANDLE ASSY., L. FR. DOOR OUTSIDE *R508P* | £0.00 | 1 |
| 38 | PFKL781527 | 72180S86K02YV | HANDLE ASSY., L. FR. DOOR OUTSIDE *YR536P* | £0.00 | 1 |
| 38 | PFKL781528 | 72180S86K02YW | HANDLE ASSY., L. FR. DOOR OUTSIDE *B523P* | £0.00 | 1 |
| 38 | PFKL781520 | 72180S86K02YC | HANDLE ASSY., L. FR. DOOR OUTSIDE *NH630M* | £0.00 | 1 |
| 38 | PFKL781516 | 72180S86K02A4 | HANDLE ASSY., L. FR. DOOR OUTSIDE *YR564M* | £0.00 | 1 |
| 38 | PFKL781515 | 72180S86K02A3 | HANDLE ASSY., L. FR. DOOR OUTSIDE *B545P* | £0.00 | 1 |
| 38 | PFKL781514 | 72180S86K02A2 | HANDLE ASSY., L. FR. DOOR OUTSIDE *Y65P* | £0.00 | 1 |
| 38 | PFKL781518 | 72180S86K02YA | HANDLE ASSY., L. FR. DOOR OUTSIDE *NH547* | £91.19 | 1 |
| 39 | PFKL786801 | 72616SM4003 | SNAP (NATURAL) | £4.39 | 2 |
| 40 | PFKL811806 | 75411634000 | JOINT | £5.45 | 2 |
| 41 | PFKL983725 | 90120SM4000 | SCREW, TAPPING | £2.43 | 2 |
| 42 | PFKL983729 | 90120SV4000 | BOLT, LOCK STRIKER | £4.45 | 4 |
| 43 | PFKL985930 | 90141S84003 | SCREW, 3X10 | £2.59 | 4 |
| 44 | PFKL998382 | 90662SB2003 | GROMMET, SCREW, 5MM | £4.81 | 6 |
| 45 | PFKL1014372 | 91626SP0003 | GROMMET, SCREW, 5MM | £8.01 | 2 |
| 46 | PFKL1017293 | 934030601208 | BOLT-WASHER, 6X12 | £2.14 | 4 |
| 47 | PFKL1019121 | 93600060280A | SCREW, FLAT, 6X28 | £1.87 | 6 |
| 48 | PFKL1020166 | 9390122120 | SCREW, TAPPING, 3X8 | £1.44 | 2 |
| 49 | PFKL1020653 | 9390345220 | SCREW, TAPPING, 5X12 | £1.44 | 6 |
| 50 | PFKL1020668 | 9390345520 | SCREW, TAPPING, 5X25 | £1.51 | 2 |
| 51 | PFKL776080 | 72118ST7003 | SCREW, TAPPING, 3X5 | £4.05 | 1 |
| 52 | PFKL778310 | 72142S2AE01 | SWITCH ASSY., R. DOOR CYLINDER | £96.71 | 1 |
| 55 | PFKL1012597 | 91540S30003 | CLIP, HARNESS BAND (NATURAL) (151.5MM) | £5.35 | 4 |
| 56 | PFKL775902 | 72111S2A013 | LOCK ASSY., R. FR. DOOR | £87.12 | 1 |

| | | | | | |
|----|----------------------------|-------------|-------------------------|---------|---|
| 57 | PFKL778621 | 72145S2AE01 | CYLINDER, R. DOOR | £118.84 | 1 |
| 58 | PFKL779453 | 72151S2A013 | LOCK ASSY., L. FR. DOOR | £87.12 | 1 |
| 59 | PFKL778420 | 72143S04003 | PACKING | £3.55 | 4 |

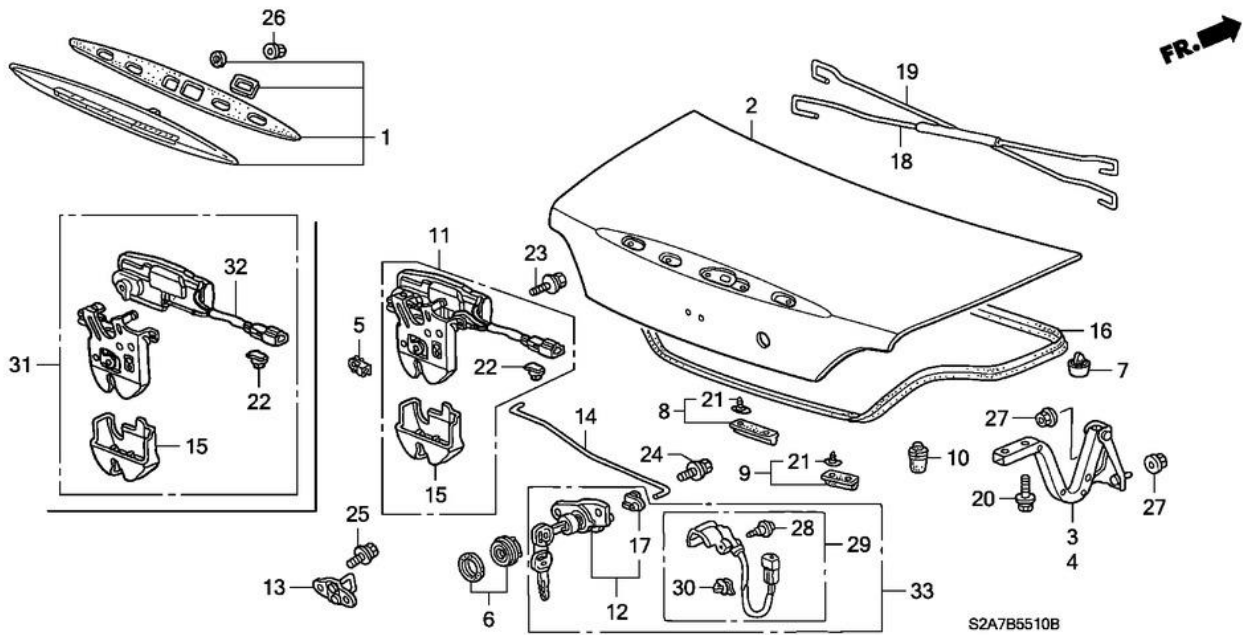
B-53-20 DOOR PANELS



| Ref | Part No | Honda Part No | Description | Price (Each) | Req Qty |
|-----|-----------------------------|---------------|------------------------------|--------------|---------|
| 1 | PFKL756876 | 67010S2AA93ZZ | PANEL COMP., R. FR. DOOR | £508.25 | 1 |
| 2 | PFKL757265 | 67050S2AA93ZZ | PANEL COMP., L. FR. DOOR | £508.25 | 1 |
| 3 | PFKL757524 | 67111S2A335ZZ | SKIN, R. FR. DOOR | £268.51 | 1 |
| 4 | PFKL757681 | 67151S2A335ZZ | SKIN, L. FR. DOOR | £268.51 | 1 |
| 5 | PFKL758405 | 67410S2A003ZZ | HINGE, R. FR. DOOR UPPER | £38.82 | 1 |
| 6 | PFKL758435 | 67420S2A003ZZ | HINGE, R. FR. DOOR LOWER | £38.82 | 1 |
| 7 | PFKL758484 | 67450S2A003ZZ | HINGE, L. FR. DOOR UPPER | £38.82 | 1 |
| 8 | PFKL758514 | 67460S2A003ZZ | HINGE, L. FR. DOOR LOWER | £38.82 | 1 |
| 9 | PFKL778343 | 72143SR2010 | RUBBER, DOOR WEDGE | £18.32 | 2 |
| 10 | PFKL778451 | 72144SR2010 | WEDGE, DOOR | £11.60 | 2 |
| 11 | PFKL783756 | 72310S2A023 | WEATHERSTRIP, R. DOOR | £89.80 | 1 |
| 12 | PFKL784129 | 72321S2A000 | SEAL, R. FR. DOOR HOLE | £28.49 | 1 |
| 13 | PFKL784272 | 72327SS0000 | SEAL, DOOR UPPER HOLE | £2.92 | 2 |
| 14 | PFKL784431 | 72340S2A003 | CHECKER COMP., R. DOOR | £45.58 | 1 |
| 15 | PFKL784557 | 72350S2A023 | WEATHERSTRIP, L. DOOR | £89.80 | 1 |
| 16 | PFKL784887 | 72361S2A000 | SEAL, L. FR. DOOR HOLE | £28.49 | 1 |
| 17 | PFKL785002 | 72367SF4000 | SEAL, DOOR PANEL | £3.28 | 2 |
| 18 | PFKL785094 | 72380S2A003 | CHECKER COMP., L. DOOR | £42.69 | 1 |
| 19 | PFKL818855 | 75891SA7000 | STOPPER, DOOR | £4.68 | 4 |
| 20 | PFKL979337 | 90101SZ3000 | BOLT, FLANGE, 8X22 (8.5MM) | £8.26 | 16 |
| 21 | PFKL985755 | 90137SD2003 | SCREW, TAPPING, 4X12 (SUS) | £5.85 | 4 |
| 22 | PFKL985925 | 90141S04000 | BOLT, FLANGE, 8X22 | £5.15 | 2 |
| 23 | PFKL998552 | 90665SM4000 | GROMMET, SCREW, 4MM (YELLOW) | £2.66 | 4 |
| 24 | PFKL999849 | 90686692003 | CAP, LINING MOUNT | £4.28 | 2 |
| 25 | PFKL1013402 | 91562SM4013 | GROMMET, DOOR LINING | £4.46 | 2 |
| 26 | PFKL1013511 | 91567SR2013 | CLIP | £3.35 | 4 |

| | | | | | |
|----|-----------------------------|--------------|--------------------------------|-------|----|
| 27 | PFKL1013537 | 91568SR2003 | CLIP, DOOR WEATHERSTRIP | £4.66 | 34 |
| 28 | PFKL1014068 | 91601SB4000 | STOPPER, DOOR | £5.89 | 2 |
| 29 | PFKL1014529 | 91657SP0000 | SEAL C, DOOR PANEL HOLE (25MM) | £1.98 | 2 |
| 30 | PFKL1017477 | 934050601608 | BOLT-WASHER, 6X16 | £2.30 | 4 |
| 31 | PFKL1018747 | 93500060200A | SCREW, PAN, 6X20 | £1.51 | 4 |
| 32 | PFKL1019090 | 93600060160A | SCREW, FLAT, 6X16 | £1.51 | 4 |
| 33 | PFKL1022090 | 9454006014 | E-RING, 6MM | £2.81 | 4 |

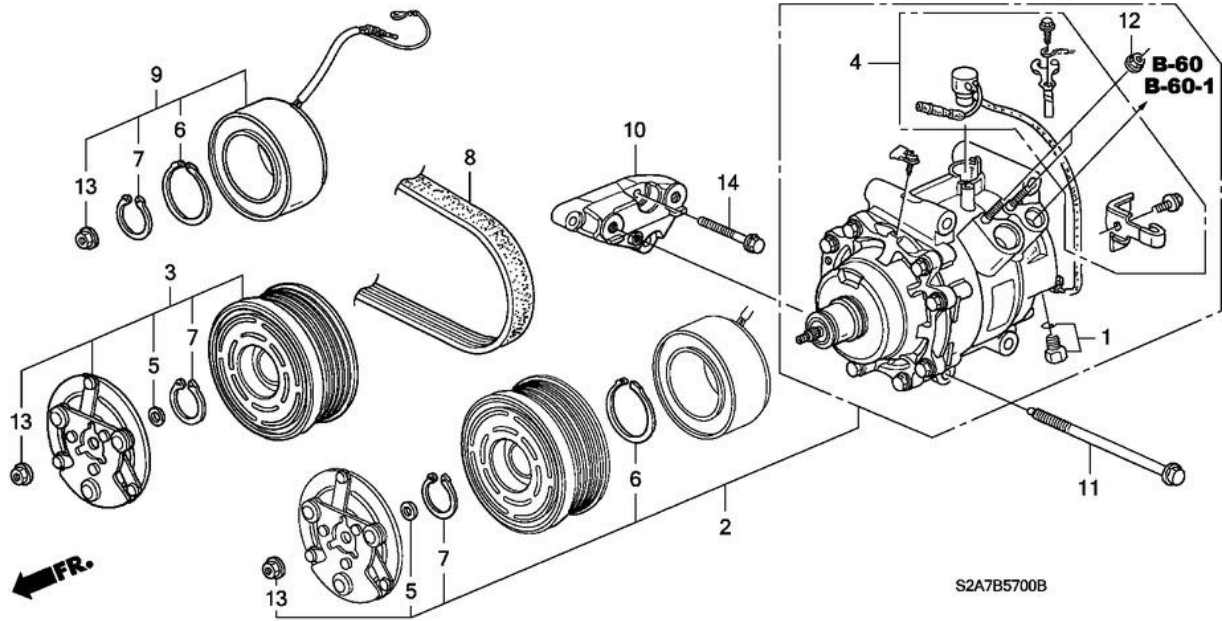
B-55-10 TRUNK LID



| Ref | Part No | Honda Part No | Description | Price (Each) | Req Qty |
|-----|----------------------------|---------------|----------------------------------|--------------|---------|
| 1 | PFKL517984 | 34270S2AJ01 | LAMP ASSY., HIGH MOUNT STOP | £462.87 | 1 |
| 2 | PFKL760601 | 68500S2AA90ZZ | LID COMP., TRUNK | £474.01 | 1 |
| 3 | PFKL760707 | 68610S2A010ZZ | HINGE COMP., R. TRUNK | £46.14 | 1 |
| 4 | PFKL760765 | 68660S2A010ZZ | HINGE COMP., L. TRUNK | £46.14 | 1 |
| 5 | PFKL776805 | 72134SM4003 | SNAP, R. (VIOLET) | £2.81 | 1 |
| 6 | PFKL803379 | 74815S2A003ZU | GARNISH, TRUNK CYLINDER *YR564M* | £0.00 | 1 |
| 6 | PFKL803378 | 74815S2A003ZT | GARNISH, TRUNK CYLINDER *B545P* | £0.00 | 1 |
| 6 | PFKL803377 | 74815S2A003ZS | GARNISH, TRUNK CYLINDER *Y65P* | £0.00 | 1 |
| 6 | PFKL803376 | 74815S2A003ZR | GARNISH, TRUNK CYLINDER *NH676M* | £12.71 | 1 |
| 6 | PFKL803375 | 74815S2A003ZP | GARNISH, TRUNK CYLINDER *B523P* | £0.00 | 1 |
| 6 | PFKL803374 | 74815S2A003ZN | GARNISH, TRUNK CYLINDER *YR536P* | £0.00 | 1 |
| 6 | PFKL803373 | 74815S2A003ZM | GARNISH, TRUNK CYLINDER *R508P* | £0.00 | 1 |
| 6 | PFKL803372 | 74815S2A003ZL | GARNISH, TRUNK CYLINDER *NH609P* | £0.00 | 1 |
| 6 | PFKL803370 | 74815S2A003ZH | GARNISH, TRUNK CYLINDER *B513M* | £0.00 | 1 |
| 6 | PFKL803368 | 74815S2A003ZE | GARNISH, TRUNK CYLINDER *R510* | £0.00 | 1 |
| 6 | PFKL803367 | 74815S2A003ZD | GARNISH, TRUNK CYLINDER *NH630M* | £13.35 | 1 |
| 6 | PFKL803365 | 74815S2A003ZB | GARNISH, TRUNK CYLINDER *NH547* | £13.35 | 1 |
| 7 | PFKL803738 | 74822S2A003 | CUSHION, TRUNK HINGE | £4.81 | 2 |
| 8 | PFKL803794 | 74826S2A000 | PROTECTOR, RR. COMBINATION | £7.12 | 2 |
| 9 | PFKL803795 | 74826S84A00 | PROTECTOR, RR. COMBINATION | £8.88 | 2 |
| 10 | PFKL803856 | 74829S84A00 | STOPPER, TRUNK LID | £7.99 | 2 |
| 13 | PFKL804277 | 74862SE3003 | STRIKER, TRUNK | £16.29 | 1 |
| 14 | PFKL804323 | 74863S2A003 | ROD, TRUNK LOCK | £7.55 | 1 |
| 15 | PFKL804348 | 74864S30003 | COVER | £6.80 | 1 |
| 16 | PFKL804399 | 74865S2A010 | WEATHERSTRIP, TRUNK LID | £79.09 | 1 |
| 17 | PFKL804433 | 74867SW5003 | HOLDER, ROD | £5.44 | 1 |
| 18 | PFKL804529 | 74871S2A010 | SPRING, R. TRUNK OPENER | £26.39 | 1 |

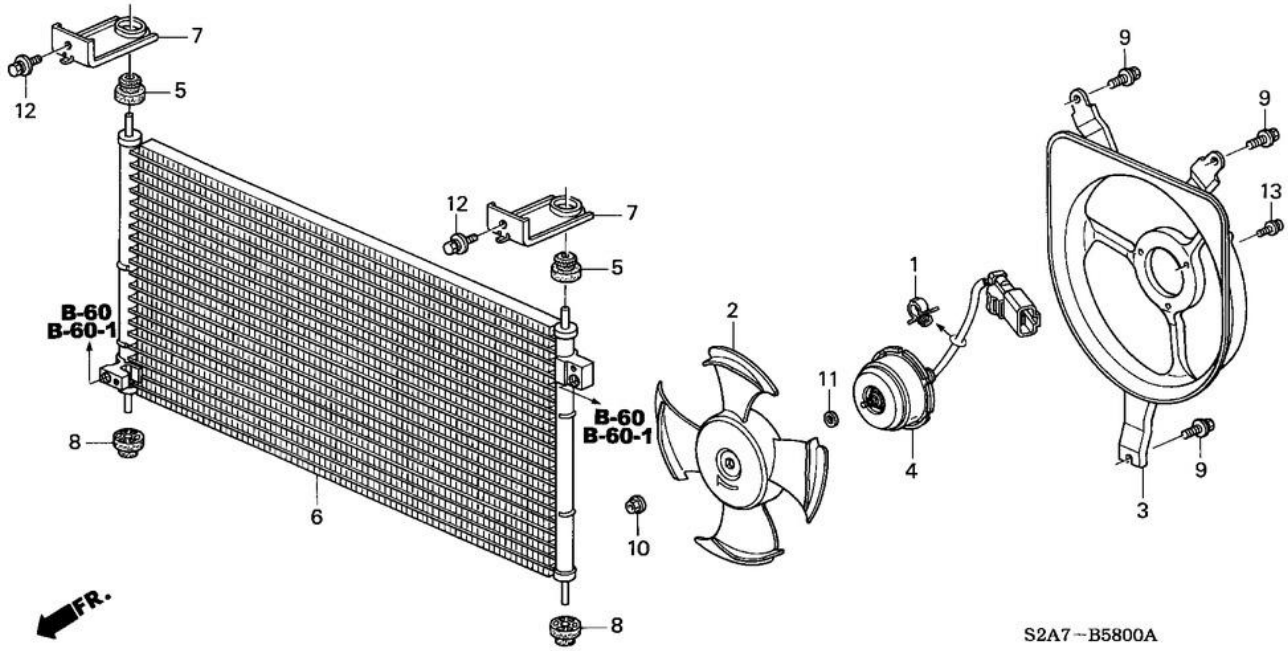
| | | | | | |
|----|-----------------------------|--------------|------------------------------------|---------|---|
| 19 | PFKL804600 | 74872S2A000 | SPRING, L. TRUNK OPENER | £26.39 | 1 |
| 20 | PFKL981788 | 90109SM4000 | BOLT, SPECIAL, 6X35 | £4.46 | 4 |
| 21 | PFKL1012271 | 91516SM4013 | CLIP, RR. COMBINATION PROTECTOR | £2.54 | 8 |
| 22 | PFKL1012516 | 91533S04003 | CLIP, COUPLER (NATURAL) | £2.63 | 1 |
| 23 | PFKL1017303 | 934030601608 | BOLT-WASHER, 6X16 | £2.14 | 2 |
| 24 | PFKL1017311 | 934030602008 | BOLT-WASHER, 6X20 | £2.14 | 2 |
| 25 | PFKL1017476 | 934050601607 | BOLT-WASHER, 6X16 | £2.14 | 2 |
| 26 | PFKL1021316 | 9405005080 | NUT, FLANGE, 5MM | £0.48 | 5 |
| 27 | PFKL1021373 | 9407106080 | NUT-WASHER, 6MM | £1.87 | 4 |
| 28 | PFKL525994 | 35103S04003 | SCREW, RECESSED | £7.29 | 1 |
| 29 | PFKL804423 | 74866S2AG01 | SWITCH, TRUNK CYLINDER | £0.00 | 1 |
| 30 | PFKL1013081 | 91555SM4003 | CLIP, COUPLER (RED) | £3.06 | 1 |
| 31 | PFKL804035 | 74851S2AG01 | LOCK, TRUNK LID (POWER) (SECURITY) | £119.42 | 1 |
| 32 | PFKL804074 | 74856S2AG01 | ACTUATOR ASSY., TRUNK | £0.00 | 1 |
| 33 | PFKL804248 | 74861S2AG01 | CYLINDER, TRUNK | £76.95 | 1 |

B-57 AIR CONDITIONER (COMPRESSOR)



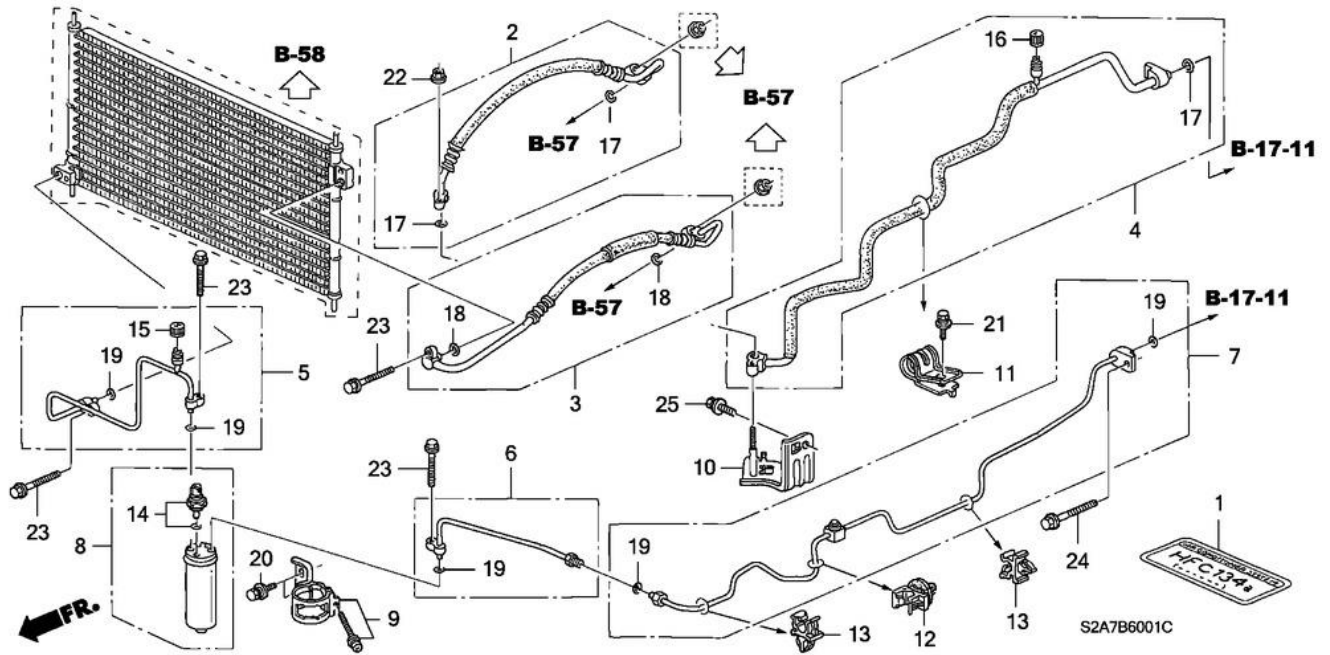
| Ref | Part No | Honda Part No | Description | Price (Each) | Req Qty |
|-----|-----------------------------|---------------|---------------------------|--------------|---------|
| 1 | PFKL564277 | 38801PCA006 | VALVE SUB ASSY., SAFETY | £124.20 | 1 |
| 2 | PFKL564307 | 38810PCX016 | COMPRESSOR COMP. (KEIHIN) | £1,209.30 | 1 |
| 3 | PFKL564719 | 38900PCX016 | CLUTCH SET, MAGNETIC | £333.88 | 1 |
| 4 | PFKL564907 | 38908PCX006 | PROTECTOR SET, THERMAL | £141.60 | 1 |
| 5 | PFKL565000 | 38912P06006 | SHIM SET | £14.74 | 1 |
| 6 | PFKL565008 | 38913RB0006 | CIRCLIP, EXTERNAL, 45MM | £7.85 | 1 |
| 7 | PFKL565011 | 38914P06006 | CIRCLIP, EXTERNAL, 35MM | £13.43 | 1 |
| 8 | PFKL565040 | 38920PCX024 | BELT, COMPRESSOR | £99.10 | 1 |
| 9 | PFKL565367 | 38924PCX006 | COIL SET, SOLENOID | £147.11 | 1 |
| 10 | PFKL565510 | 38930PCX000 | BRACKET, COMPRESSOR | £49.61 | 1 |
| 11 | PFKL976646 | 90022PCX000 | BOLT, FLANGE, 10X84 | £9.45 | 4 |
| 12 | PFKL1021328 | 9405006080 | NUT, FLANGE, 6MM | £2.16 | 2 |
| 13 | PFKL1021341 | 9405008080 | NUT, FLANGE, 8MM | £2.68 | 1 |
| 14 | PFKL1028503 | 957010803508 | BOLT, FLANGE, 8X35 | £2.09 | 3 |

B-58 AIR CONDITIONER (CONDENSER)



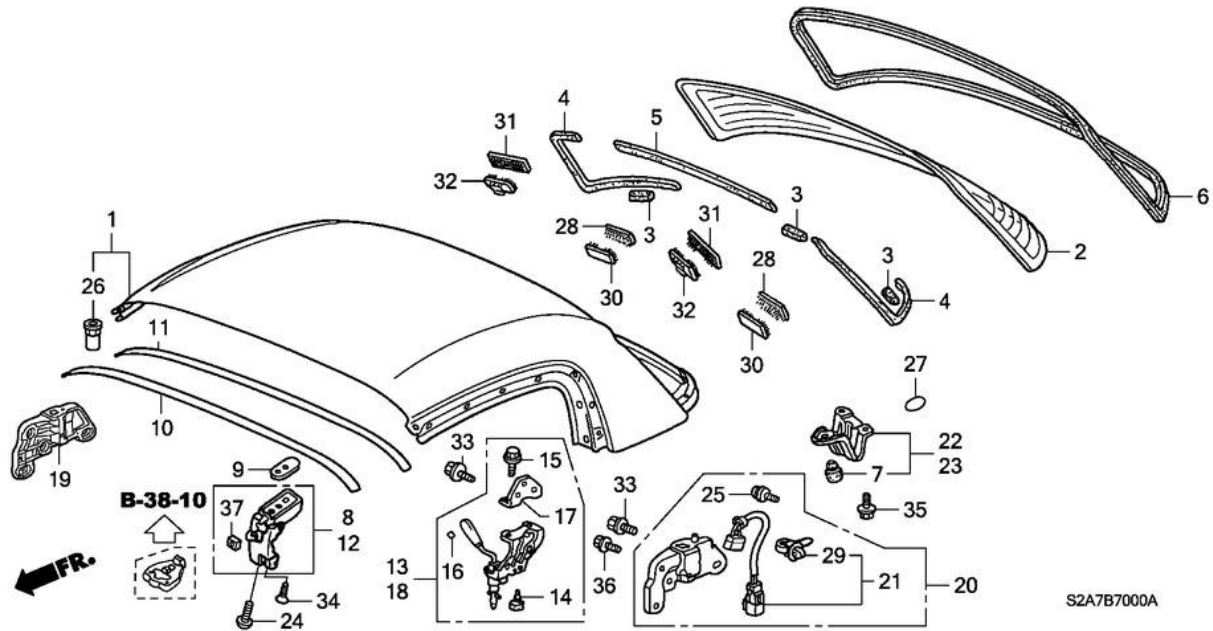
| Ref | Part No | Honda Part No | Description | Price (Each) | Req Qty |
|-----|-----------------------------|---------------|------------------------------|--------------|---------|
| 1 | PFKL457900 | 30701883000 | CLIP, WIRE HARNESS | £3.15 | 1 |
| 2 | PFKL562959 | 38611PAAA01 | FAN COMP., COOLING (MITSUBA) | £83.78 | 1 |
| 3 | PFKL563033 | 38615PCX010 | SHROUD COMP. | £79.88 | 1 |
| 4 | PFKL563155 | 38616PCA004 | MOTOR, COOLING FAN | £327.59 | 1 |
| 5 | PFKL870433 | 80107SS0000 | MOUNT, CONDENSER UPPER | £8.57 | 2 |
| 6 | PFKL871040 | 80110S2A900 | CONDENSER COMP. | £596.98 | 1 |
| 7 | PFKL871247 | 80111S2A000 | BRACKET, CONDENSER UPPER | £7.16 | 2 |
| 8 | PFKL872883 | 80175SE0000 | MOUNT, CONDENSER | £6.89 | 2 |
| 9 | PFKL1017290 | 934030601204 | BOLT-WASHER, 6X12 | £2.14 | 3 |
| 10 | PFKL977611 | 90041PAAA01 | NUT, TOOTHED, 5MM | £5.62 | 1 |
| 11 | PFKL992255 | 90430PAAA01 | WASHER, PLAIN, 8MM | £1.89 | 1 |
| 12 | PFKL1017383 | 934040601604 | BOLT-WASHER, 6X16 | £1.87 | 2 |
| 13 | PFKL1019893 | 938930400808 | SCREW-WASHER, 4X8 | £1.87 | 3 |

B-60 AIR CONDITIONER (HOSES/PIPES) (RH)



| Ref | Part No | Honda Part No | Description | Price (Each) | Req Qty |
|-----|-----------------------------|---------------|--|--------------|---------|
| 1 | PFKL867035 | 80050SP0000 | LABEL, AIR CONDITIONER CAUTION (HFC134A) | £4.39 | 1 |
| 2 | PFKL875292 | 80311S2A003 | HOSE COMP., SUCTION | £210.13 | 1 |
| 3 | PFKL875593 | 80315S2A003 | HOSE COMP., DISCHARGE | £224.18 | 1 |
| 4 | PFKL875860 | 80321S2A023 | PIPE COMP., SUCTION | £258.74 | 1 |
| 5 | PFKL876199 | 80331S2A901 | PIPE, CONDENSER | £241.49 | 1 |
| 6 | PFKL876466 | 80341S2A003 | PIPE A, RECEIVER | £83.60 | 1 |
| 7 | PFKL876581 | 80342S2A901 | PIPE B, RECEIVER | £174.16 | 1 |
| 8 | PFKL876826 | 80351S2A901 | RECEIVER COMP. | £200.18 | 1 |
| 9 | PFKL876876 | 80352S2A900 | BRACKET, LIQUID TANK | £0.00 | 1 |
| 10 | PFKL876969 | 80361S2A000 | STAY, SUCTION HOSE | £7.54 | 1 |
| 11 | PFKL877071 | 80364SF1000 | CLAMP A, SUCTION PIPE | £8.80 | 1 |
| 12 | PFKL877257 | 80381SV7A01 | CLAMP, RECEIVER PIPE | £10.23 | 1 |
| 13 | PFKL1012468 | 91531SZ5003 | CLIP, TUBE, 3.5 | £2.79 | 2 |
| 14 | PFKL877663 | 80440SS0901 | SWITCH, DUAL PRESSURE (FUJI) | £61.21 | 1 |
| 14 | PFKL877663 | 80440SS0901 | SWITCH, DUAL PRESSURE (SAGINOMIYA) | £61.21 | 1 |
| 15 | PFKL879053 | 80865SL0003 | CAP, VALVE (H) | £14.12 | 1 |
| 16 | PFKL879075 | 80866SL0003 | CAP, VALVE (L) | £13.56 | 1 |
| 17 | PFKL879099 | 80871ST7000 | O-RING (5/8") | £4.70 | 3 |
| 18 | PFKL879108 | 80872ST7000 | O-RING (1/2") | £4.41 | 2 |
| 19 | PFKL879121 | 80873ST7000 | O-RING, 8MM | £5.20 | 5 |
| 20 | PFKL1017300 | 934030601604 | BOLT-WASHER, 6X16 | £2.14 | 2 |
| 21 | PFKL1017303 | 934030601608 | BOLT-WASHER, 6X16 | £2.14 | 1 |
| 22 | PFKL1021328 | 9405006080 | NUT, FLANGE, 6MM | £2.16 | 1 |
| 23 | PFKL1028314 | 957010602505 | BOLT, FLANGE, 6X25 | £2.14 | 4 |
| 24 | PFKL1028329 | 957010603005 | BOLT, FLANGE, 6X30 | £2.09 | 1 |
| 25 | PFKL1017300 | 934030601604 | BOLT-WASHER, 6X16 | £2.14 | 1 |
| 25 | PFKL1017303 | 934030601608 | BOLT-WASHER, 6X16 | £2.14 | 1 |

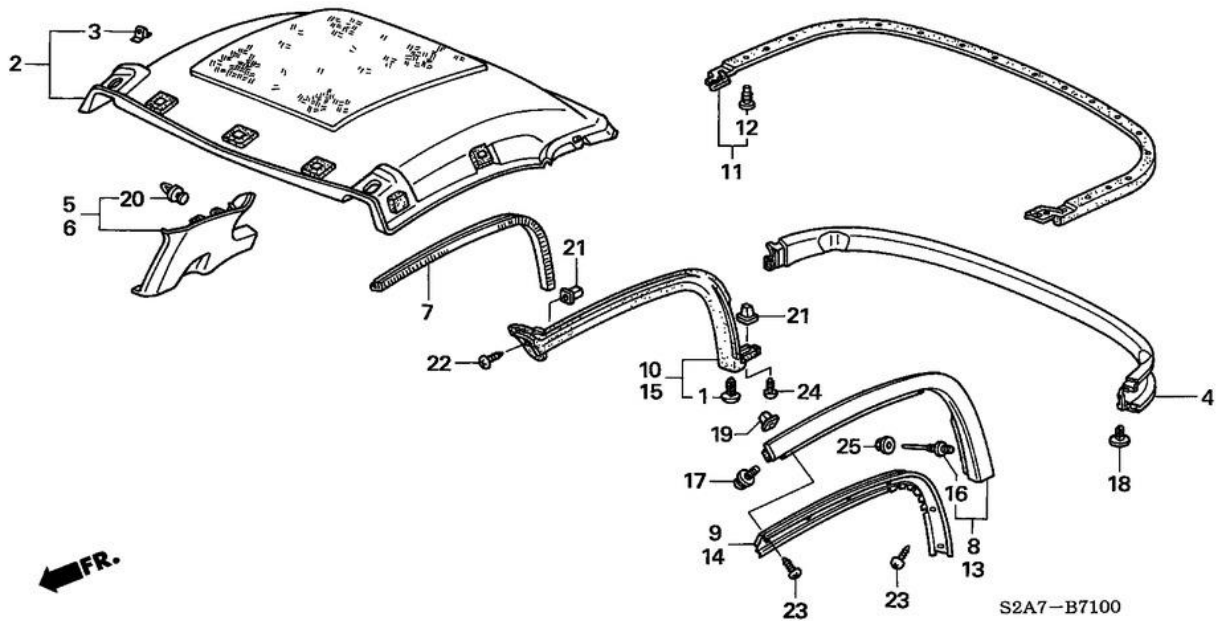
B-70 ROOF PANEL (HARD TOP)



| Ref | Part No | Honda Part No | Description | Price (Each) | Req Qty |
|-----|-----------------------------|---------------|--|--------------|---------|
| 1 | PFKL761195 | 69100S2A901ZZ | PANEL COMP., HARD TOP | £0.00 | 1 |
| 2 | PFKL792738 | 73211S2A902 | GLASS SET, RR. WINDSHIELD (GREEN)(AGC) | £861.08 | 1 |
| 3 | PFKL792890 | 73221S2A000 | SPACER, RR. WINDSHIELD | £7.38 | 3 |
| 4 | PFKL792911 | 73224S2A000 | RUBBER, RR. WINDSHIELD SIDE DAM | £12.41 | 2 |
| 5 | PFKL792946 | 73225S2A000 | RUBBER, RR. WINDSHIELD DAM | £7.11 | 1 |
| 6 | PFKL793057 | 73250S2A903 | MOLDING, RR. WINDSHIELD | £179.18 | 1 |
| 7 | PFKL2044276 | 74812S3AJ10 | CUSHION, SIDE GATE | £4.54 | 2 |
| 8 | PFKL945559 | 85100S2A901 | LOCK ASSY., R. HANDLE | £186.92 | 1 |
| 9 | PFKL945579 | 85101S2A901 | SHIM, HARD TOP LOCK | £7.39 | 6 |
| 10 | PFKL945624 | 85123S2A900 | TAPE A, FR. ROOF | £60.98 | 1 |
| 11 | PFKL945631 | 85124S2A900 | TAPE B, FR. ROOF | £71.93 | 1 |
| 12 | PFKL945660 | 85150S2A901 | LOCK ASSY., L. HANDLE | £186.92 | 1 |
| 13 | PFKL945710 | 85200S2A902 | LOCK ASSY., R. ROOF SIDE | £242.19 | 1 |
| 14 | PFKL945740 | 85203S2A900 | CUSHION, RUBBER | £5.81 | 2 |
| 15 | PFKL945743 | 85205S2A003 | BOLT, FLANGE, 8X15 | £0.00 | 4 |
| 16 | PFKL945744 | 85206S2A003 | MARK, RED | £0.00 | 2 |
| 17 | PFKL945745 | 85207S2A003 | PLATE, BASE | £34.85 | 2 |
| 18 | PFKL945956 | 85250S2A902 | LOCK ASSY., L. ROOF SIDE | £242.19 | 1 |
| 19 | PFKL946207 | 85300S2A902 | CATCHER ASSY., R. BODY SIDE | £451.50 | 1 |
| 20 | PFKL946233 | 85350S2A003 | CATCHER ASSY., L. BODY SIDE | £530.93 | 1 |
| 21 | PFKL946236 | 85352S2A003 | CATCHER SET, L. BODY SIDE | £0.00 | 1 |
| 22 | PFKL946255 | 85400S2A010 | BRACKET, R. RR. WINDSHIELD | £53.25 | 1 |
| 23 | PFKL946279 | 85450S2A010 | BRACKET, L. RR. WINDSHIELD | £53.25 | 1 |
| 24 | PFKL985930 | 90141S84003 | SCREW, 3X10 | £2.59 | 3 |
| 25 | PFKL990644 | 90332SL0013 | NUT, POP, 6MM | £14.21 | 16 |
| 26 | PFKL1001203 | 90851SJ4000 | SEAL, DOOR HOLE, 20MM | £0.00 | 6 |
| 27 | PFKL1012557 | 91536SS0J01 | FASTENER A, WINDSHIELD | £7.38 | 2 |

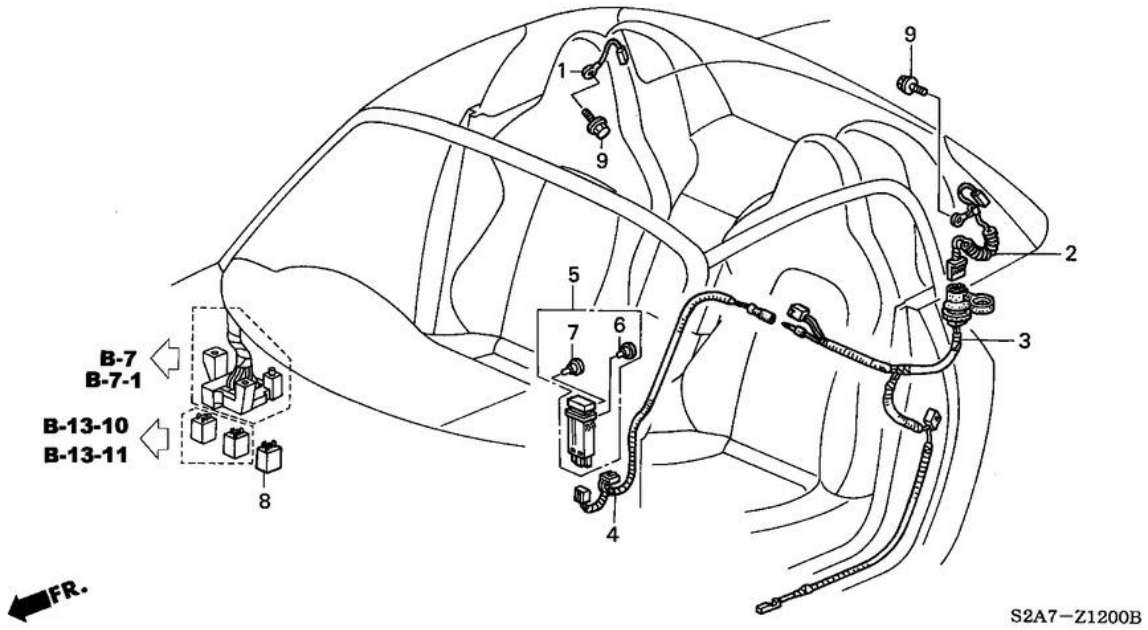
| | | | | | |
|----|-----------------------------|--------------|--|--------|----|
| 28 | PFKL1012593 | 91540SV4003 | CLIP, HARNESS BAND (NATURAL) (145.2MM) | £6.07 | 1 |
| 29 | PFKL1013365 | 91561S04J01 | FASTENER B, WINDSHIELD | £7.00 | 2 |
| 30 | PFKL1013541 | 91568SX0003 | FASTENER A, WINDSHIELD | £10.16 | 2 |
| 31 | PFKL1013557 | 91569SX0013 | FASTENER B, WINDSHIELD | £9.91 | 2 |
| 32 | PFKL1013670 | 91580SM4003 | CLIP, COUPLER (ORANGE) | £4.79 | 1 |
| 33 | PFKL1017396 | 934040602008 | BOLT-WASHER, 6X20 | £1.87 | 10 |
| 34 | PFKL1019103 | 93600060200G | SCREW, FLAT, 6X20 | £1.51 | 2 |
| 35 | PFKL985286 | 90131S2AJ00 | SCREW, TRUSS, 6X25 | £3.76 | 2 |
| 36 | PFKL1028276 | 957010601607 | BOLT, FLANGE, 6X16 | £1.87 | 4 |
| 37 | PFKL1028463 | 957010802008 | BOLT, FLANGE, 8X20 | £1.87 | 4 |
| 38 | PFKL947337 | 86251S2A901 | RUBBER | £4.45 | 2 |

B-71 ROOF LINING (HARD TOP)



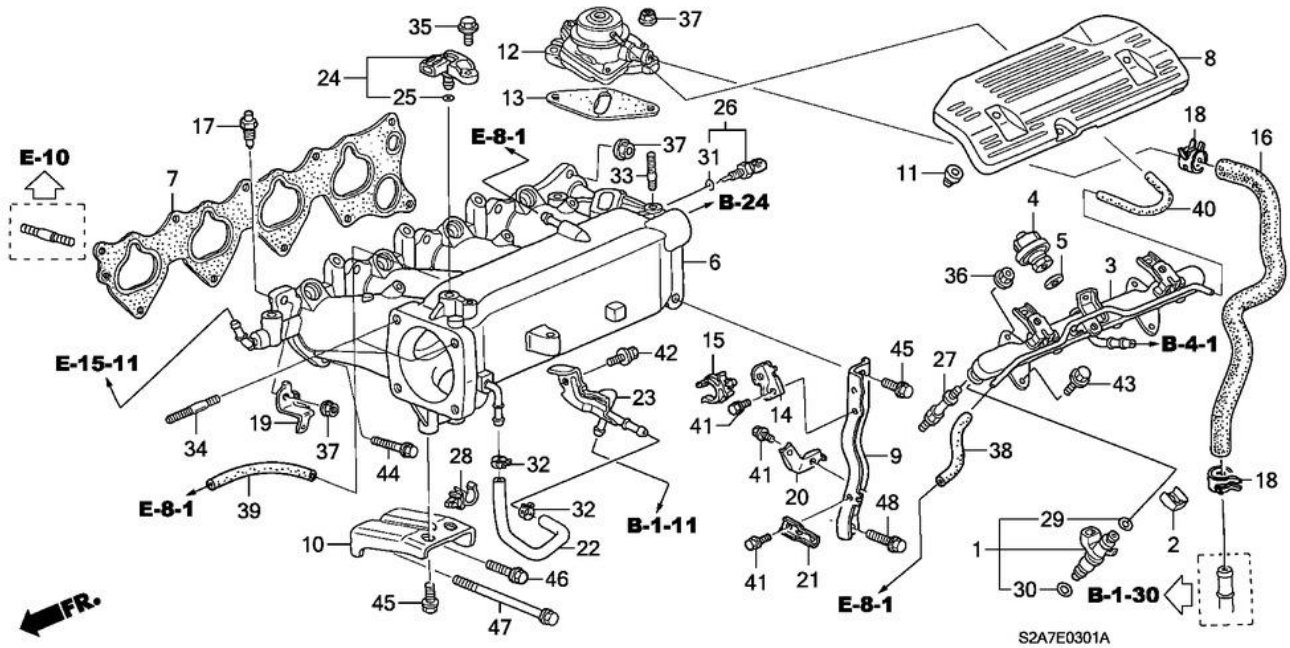
| Ref | Part No | Honda Part No | Description | Price (Each) | Req Qty |
|-----|-----------------------------|---------------|--|--------------|---------|
| 1 | PFKL785152 | 72384S2A003 | CLIP | £0.00 | 2 |
| 2 | PFKL907077 | 83200S2A000ZA | LINING ASSY., ROOF *NH167L* | £0.00 | 1 |
| 3 | PFKL907640 | 83210S2A000ZA | GARNISH ASSY., RR. WINDSHIELD LOWER *NH167L* | £163.72 | 1 |
| 4 | PFKL937986 | 84121S2A010ZA | GARNISH ASSY., R. RR. PILLAR *NH167L* | £83.19 | 1 |
| 5 | PFKL939385 | 84171S2A010ZA | GARNISH ASSY., L. RR. PILLAR *NH167L* | £83.19 | 1 |
| 6 | PFKL940401 | 84231S2A003 | TRIM, ROOF SIDE | £15.52 | 2 |
| 7 | PFKL945600 | 85110S2A901 | MOLDING ASSY., R. ROOF | £502.81 | 1 |
| 8 | PFKL945607 | 85120S2A901 | RETAINER ASSY., R. ROOF | £166.85 | 1 |
| 9 | PFKL945640 | 85130S2A902 | WEATHERSTRIP, R. ROOF SIDE DOOR | £146.94 | 1 |
| 10 | PFKL945647 | 85140S2A902 | WEATHERSTRIP, HARD TOP LOWER | £479.72 | 1 |
| 11 | PFKL945653 | 85141S2A003 | CLIP | £0.00 | 19 |
| 12 | PFKL945666 | 85160S2A901 | MOLDING ASSY., L. ROOF | £451.34 | 1 |
| 13 | PFKL945673 | 85170S2A901 | RETAINER ASSY., L. ROOF | £166.85 | 1 |
| 14 | PFKL945680 | 85180S2A902 | WEATHERSTRIP, L. ROOF SIDE DOOR | £146.94 | 1 |
| 15 | PFKL983202 | 90116SL0003 | BOLT, CENTER PILLAR GARNISH STUD | £8.66 | 4 |
| 16 | PFKL985578 | 90134S2A000 | SCREW-WASHER, 4X6 | £0.00 | 2 |
| 17 | PFKL999294 | 90671S0D003ZK | CLIP, ROOF, 7MM *NH167L* | £3.11 | 3 |
| 18 | PFKL1011828 | 91503SK7013 | GROMMET, SCREW (4MM) | £4.59 | 12 |
| 19 | PFKL1013305 | 91560S84A01 | CLIP, DOOR LINING (NATURAL) | £4.23 | 8 |
| 20 | PFKL1014189 | 91606S2A003 | GROMMET ASSY., HARD TOP WEATHERSTRIP | £4.88 | 4 |
| 21 | PFKL1020624 | 93903442G0 | SCREW, TAPPING, 4X10 | £1.90 | 2 |
| 22 | PFKL1020630 | 93903443J0 | SCREW, TAPPING, 4X12 | £2.09 | 12 |
| 23 | PFKL1020640 | 93903445G0 | SCREW, TAPPING, 4X20 | £1.85 | 2 |
| 24 | PFKL1021369 | 9407105050 | NUT-WASHER, 5MM | £1.51 | 4 |
| 25 | PFKL907316 | 83202SZ3000 | CLIP, ROOF LINING | £4.14 | 8 |

B-72 WIRE HARNESS (HARD TOP)



| Ref | Part No | Honda Part No | Description | Price (Each) | Req Qty |
|-----|----------------------------|---------------|----------------------|--------------|---------|
| 1 | PFKL485759 | 32202S2A000 | CORD, DEFOGGER EARTH | £8.80 | 1 |
| 2 | PFKL485772 | 32203S2A010 | CORD, HARD TOP | £110.04 | 1 |
| 3 | PFKL485784 | 32204S2A305 | SUB CORD, HARD TOP | £88.06 | 1 |
| 9 | PFKL986282 | 90149SE0003 | BOLT, EARTH, 6X16 | £5.51 | 2 |

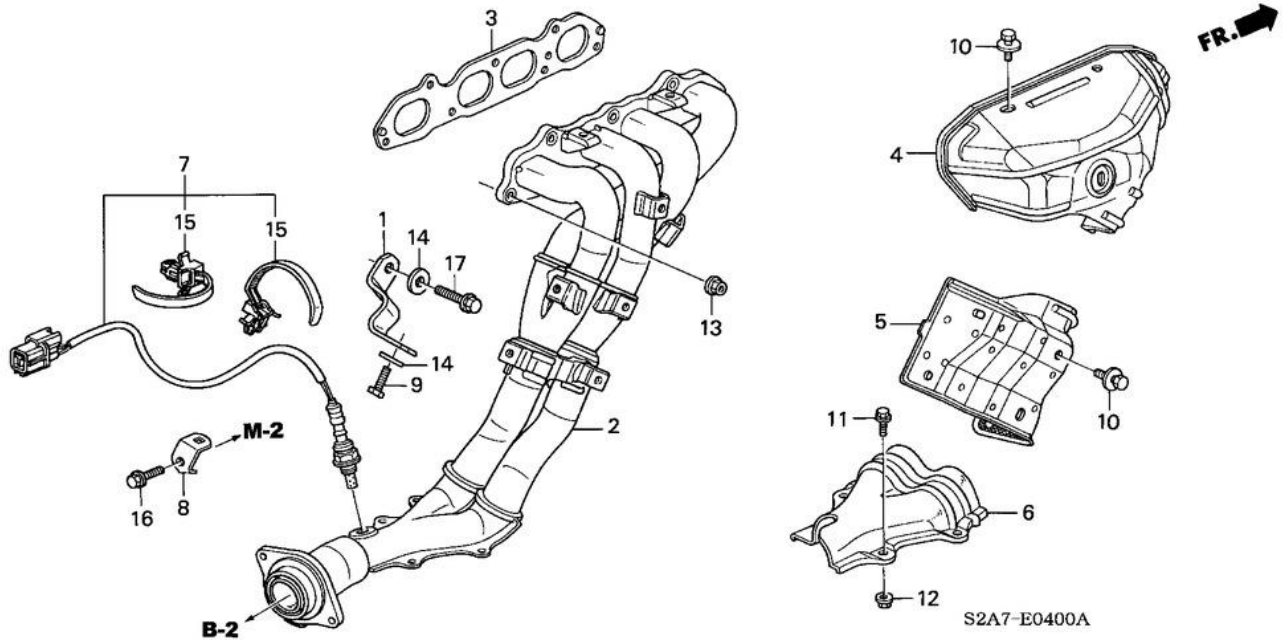
E-3-1 INTAKE MANIFOLD ('06-)



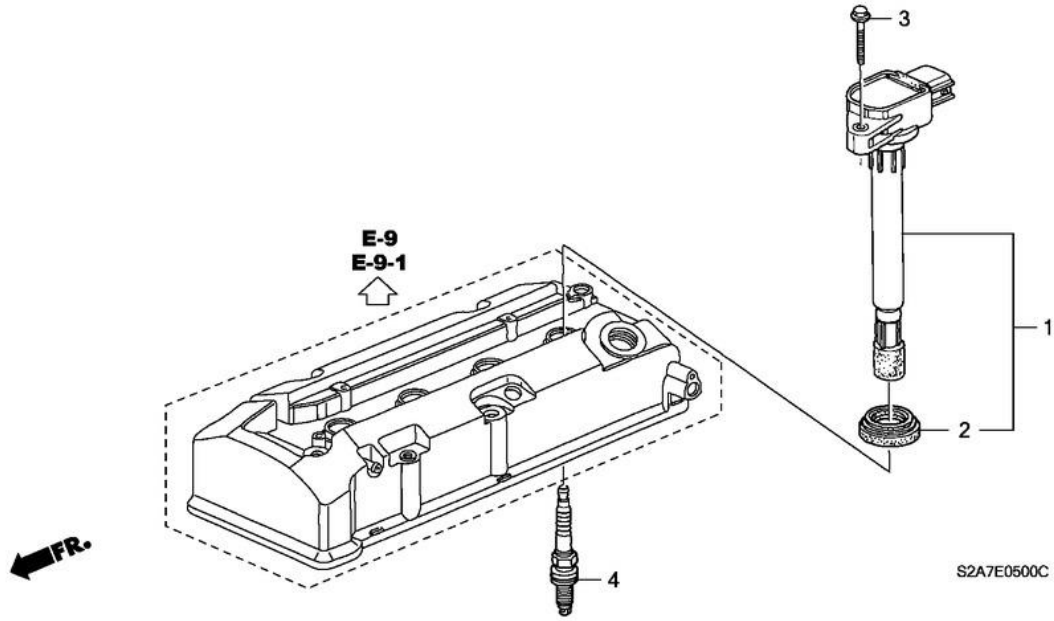
| Ref | Part No | Honda Part No | Description | Price (Each) | Req Qty |
|-----|----------------------------|---------------|--|--------------|---------|
| 1 | PFKL337817 | 16450PCXG01 | INJECTOR ASSY., FUEL | £303.74 | 4 |
| 2 | PFKL337896 | 16451PLC000 | CLIP, INJECTOR | £8.68 | 4 |
| 3 | PFKL339638 | 16610PCXG01 | PIPE COMP., FUEL | £0.00 | 1 |
| 4 | PFKL340061 | 16680PZX003 | DAMPER ASSY., PULSATION | £46.87 | 1 |
| 5 | PFKL340484 | 16705PD1003 | GASKET, SILENCER | £5.20 | 1 |
| 6 | PFKL348032 | 17100PCXG00 | MANIFOLD COMP., INTAKE | £1,022.00 | 1 |
| 7 | PFKL348317 | 17105PCX004 | GASKET, INTAKE MANIFOLD | £35.58 | 1 |
| 8 | PFKL348790 | 17112PZX000 | COVER, INTAKE MANIFOLD | £50.65 | 1 |
| 9 | PFKL349054 | 17125PCX000 | STAY A, INTAKE MANIFOLD | £34.12 | 1 |
| 10 | PFKL349094 | 17126PCX010 | STAY COMP. B, INTAKE MANIFOLD | £0.00 | 1 |
| 11 | PFKL351637 | 17213P8AA00 | RUBBER, INTAKE MANIFOLD COVER MOUNTING | £6.55 | 3 |
| 12 | PFKL396585 | 18780PCXA01 | VALVE ASSY., SECOND AIR | £0.00 | 1 |
| 13 | PFKL396587 | 18781PCX000 | PACKING, SECOND AIR VALVE | £10.93 | 1 |
| 14 | PFKL396613 | 18792PCX000 | STAY, HOSE CLAMP | £0.00 | 1 |
| 15 | PFKL396618 | 18794PCX003 | CLAMP A, AIR HOSE | £0.00 | 1 |
| 16 | PFKL396637 | 18799PCX000 | HOSE D, SECOND AIR | £28.87 | 1 |
| 17 | PFKL407178 | 19516PC1000 | BOLT, BREATHING WATER | £9.88 | 1 |
| 18 | PFKL407190 | 19517KM9000 | CLIP, WATER HOSE | £6.55 | 2 |
| 19 | PFKL480893 | 32111PCX000 | STAY, CRANK SENSOR | £0.00 | 1 |
| 20 | PFKL481246 | 32115PCX000 | STAY D, ENGINE HARNESS | £0.00 | 1 |
| 21 | PFKL487876 | 32413S2A000 | BRACKET, STARTER CABLE | £0.00 | 1 |
| 22 | PFKL538898 | 36175PCXJ00 | TUBE, PURGE | £7.24 | 1 |
| 23 | PFKL538912 | 36177PCXJ00 | PIPE, PURGE | £0.00 | 1 |
| 24 | PFKL554480 | 37830RNAA01 | SENSOR ASSY., MAP | £321.29 | 1 |
| 25 | PFKL554488 | 37835PGKA01 | O-RING | £7.67 | 1 |
| 26 | PFKL554665 | 37870RTA005 | SENSOR ASSY., WATER TEMP (DENSO) | £85.60 | 1 |
| 27 | PFKL976945 | 90027PZX000 | BOLT, FUEL PIPE | £0.00 | 2 |

| | | | | | |
|----|-----------------------------|---------------|---------------------------------|-------|---|
| 28 | PFKL999600 | 90679679004 | CLIP, CABLE | £4.79 | 1 |
| 29 | PFKL1008860 | 91301PLC000 | O-RING, 7.47X3.6 | £3.92 | 4 |
| 30 | PFKL1009139 | 91302PNA003 | O-RING, 7.45X3.61 (NOK) | £2.74 | 4 |
| 31 | PFKL1009813 | 91307RTA005 | O-RING (DENSO) | £5.45 | 1 |
| 32 | PFKL1011295 | 91406SAA000 | CLAMP, TUBE (D12) | £2.50 | 2 |
| 33 | PFKL1016857 | 92900080221B | BOLT, STUD, 8X22 | £2.09 | 2 |
| 34 | PFKL1016892 | 92900080501B | BOLT, STUD, 8X50 | £2.86 | 2 |
| 35 | PFKL1017282 | 934030502008 | BOLT-WASHER, 5X20 | £2.14 | 1 |
| 36 | PFKL1021328 | 9405006080 | NUT, FLANGE, 6MM | £2.16 | 2 |
| 37 | PFKL1021341 | 9405008080 | NUT, FLANGE, 8MM | £2.68 | 4 |
| 38 | PFKL1024674 | 950053507010 | TUBE, 3.5X70 (95005-35001-10M) | £3.11 | 1 |
| 39 | PFKL1025311 | 950053520010S | TUBE, 3.5X120 (95005-35001-10M) | £0.00 | 1 |
| 40 | PFKL1024847 | 950053510010S | TUBE, 3.5X100 (95005-35001-10M) | £0.00 | 1 |
| 41 | PFKL1028233 | 957010600808 | BOLT, FLANGE, 6X8 | £1.87 | 3 |
| 42 | PFKL1028254 | 957010601208 | BOLT, FLANGE, 6X12 | £1.87 | 1 |
| 43 | PFKL1028277 | 957010601608 | BOLT, FLANGE, 6X16 | £1.87 | 2 |
| 44 | PFKL1028484 | 957010802808 | BOLT, FLANGE, 8X28 | £2.09 | 8 |
| 45 | PFKL1028600 | 957011001608 | BOLT, FLANGE, 10X16 | £2.09 | 3 |
| 46 | PFKL1028618 | 957011002508 | BOLT, FLANGE, 10X25 | £2.30 | 1 |
| 47 | PFKL1029271 | 958011008508 | BOLT, FLANGE, 10X85 | £4.01 | 1 |
| 48 | PFKL975018 | 90007PCX000 | BOLT-WASHER, 10X25 | £0.00 | 1 |

E-4 EXHAUST MANIFOLD

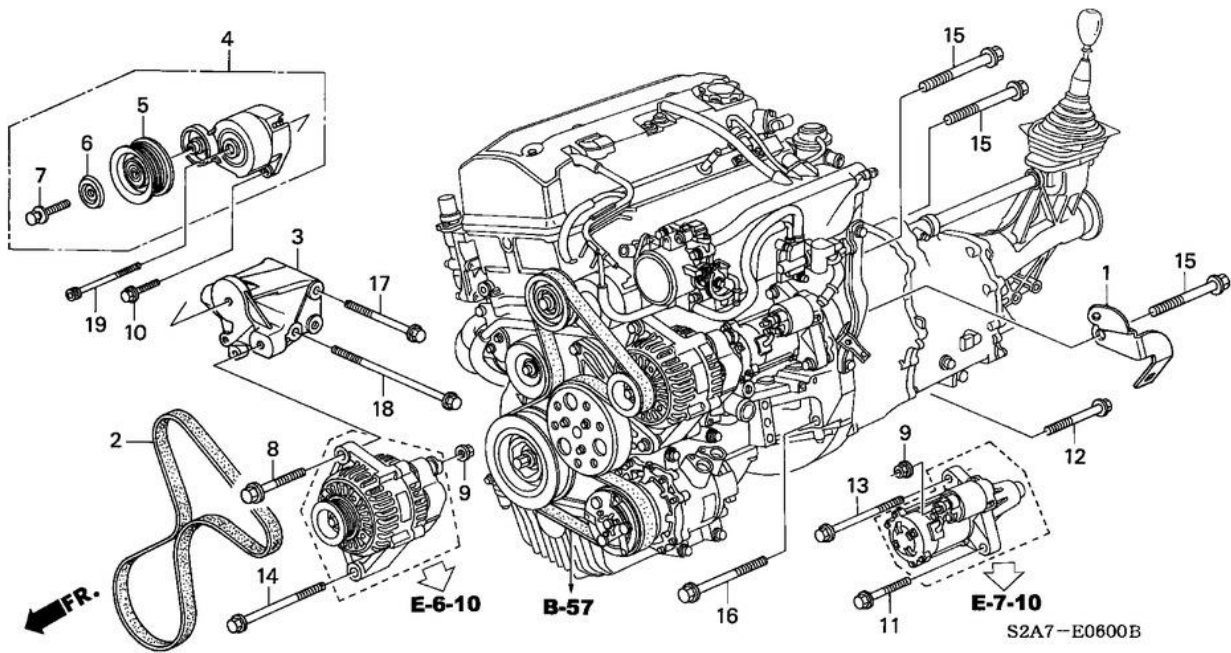


| Ref | Part No | Honda Part No | Description | Price (Each) | Req Qty |
|-----|-----------------------------|---------------|--|--------------|---------|
| 1 | PFKL265648 | 11941PCX000 | STAY A, EX. MANIFOLD | £11.26 | 1 |
| 2 | PFKL380850 | 18100PCX010 | MANIFOLD COMP., EX. | £0.00 | 1 |
| 3 | PFKL381125 | 18115PCX014 | GASKET, EX. MANIFOLD (NIPPON LEAKLESS) | £32.02 | 1 |
| 4 | PFKL381233 | 18120PCX010 | COVER COMP. A, EX. MANIFOLD | £371.62 | 1 |
| 5 | PFKL381448 | 18121PCX000 | COVER COMP. B, EX. MANIFOLD | £203.21 | 1 |
| 6 | PFKL381490 | 18122PCX000 | COVER COMP. C, EX. MANIFOLD | £78.94 | 1 |
| 7 | PFKL539926 | 36531PZX013 | SENSOR, AIR FUEL RATIO | £251.57 | 1 |
| 8 | PFKL540141 | 36533PCX000 | STAY, OXYGEN SENSOR | £3.02 | 1 |
| 9 | PFKL975337 | 90010PE2900 | BOLT, SPECIAL, 10X22 | £8.01 | 1 |
| 10 | PFKL976024 | 90015PT0J00 | BOLT-WASHER, 8X14 | £3.51 | 8 |
| 11 | PFKL976724 | 90023PR7A01 | BOLT, FLANGE, 6X10 | £7.93 | 4 |
| 12 | PFKL983022 | 90115SL5A00 | NUT, FLANGE, 6MM | £6.32 | 4 |
| 13 | PFKL988788 | 90217657000 | NUT, SPECIAL, 8MM | £3.74 | 7 |
| 14 | PFKL993016 | 90451PE2000 | WASHER, SPECIAL, 11X28 | £8.35 | 2 |
| 15 | PFKL1011974 | 91506P01003 | CLIP A, HARNESS BAND (DARK GRAY) (129.4MM) | £4.79 | 2 |
| 16 | PFKL1028447 | 957010801608 | BOLT, FLANGE, 8X16 | £2.14 | 1 |
| 17 | PFKL1028622 | 957011002808 | BOLT, FLANGE, 10X28 | £2.18 | 1 |



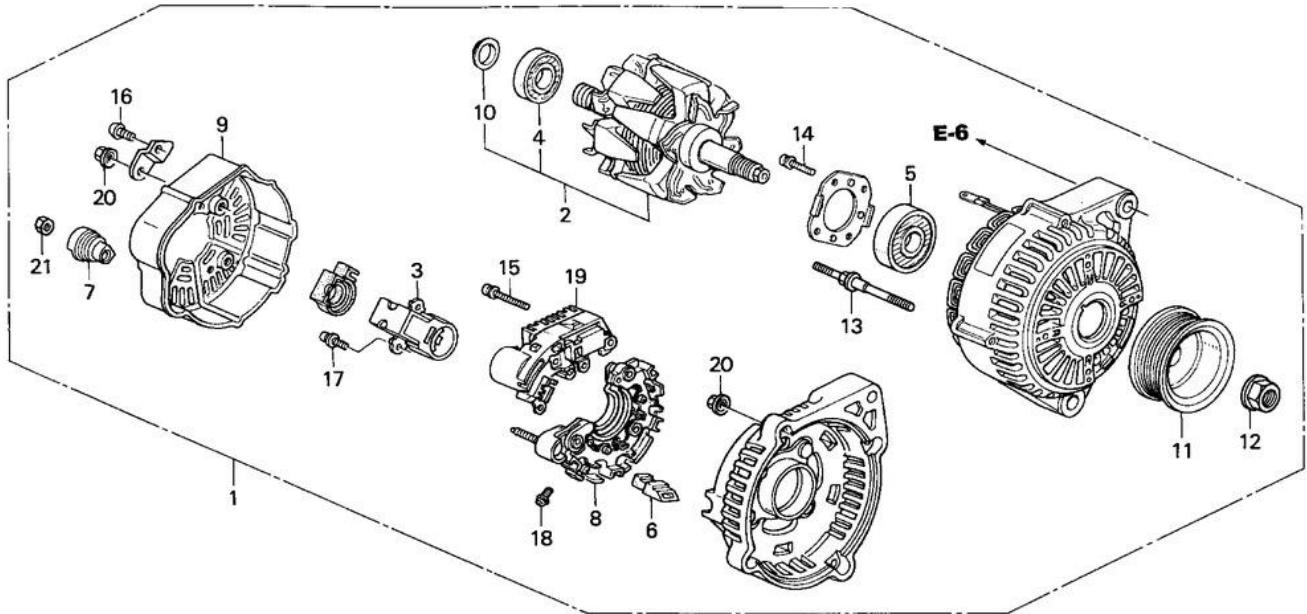
| Ref | Part No | Honda Part No | Description | Price (Each) | Req Qty |
|-----|-----------------------------|---------------|-----------------------------------|--------------|---------|
| 1 | PFKL456977 | 30520PZX007 | COIL COMP., PLUG HOLE | £163.55 | 4 |
| 2 | PFKL457003 | 30522PFB007 | SEAL, PLUG HOLE | £7.58 | 4 |
| 3 | PFKL1028316 | 957010602508 | BOLT, FLANGE, 6X25 | £2.14 | 4 |
| 4 | PFKL1031854 | 98079571BH | PLUG, SPARK (PFR7G-11S) (NGK) | £26.71 | 4 |
| 4 | PFKL1031856 | 98079571CH | PLUG, SPARK (PK22PR-L11S) (DENSO) | £26.71 | 4 |

E-6 AUTO TENSIONER BRACKET



| Ref | Part No | Honda Part No | Description | Price (Each) | Req Qty |
|-----|-----------------------------|---------------|-----------------------------|--------------|---------|
| 1 | PFKL411826 | 21235PCY010 | CLAMP, HARNESS | £8.05 | 1 |
| 3 | PFKL464634 | 31160PCX000 | BRACKET, AUTO TENSIONER | £97.17 | 1 |
| 4 | PFKL464679 | 31170PCX003 | TENSIONER ASSY., AUTO | £232.76 | 1 |
| 5 | PFKL464757 | 31180PCX003 | PULLEY COMP., IDLER | £97.32 | 1 |
| 6 | PFKL464818 | 31185PCX003 | COVER, BEARING | £8.57 | 1 |
| 7 | PFKL974268 | 90002P8AA01 | BOLT, SPECIAL, 10X30 | £7.78 | 1 |
| 8 | PFKL977280 | 90032PCX000 | BOLT, SPECIAL FLANGE, 10X45 | £7.61 | 1 |
| 9 | PFKL1021366 | 9407008080 | NUT-WASHER, 8MM | £1.87 | 2 |
| 10 | PFKL1028484 | 957010802808 | BOLT, FLANGE, 8X28 | £2.09 | 1 |
| 11 | PFKL1028639 | 957011004008 | BOLT, FLANGE, 10X40 | £2.30 | 1 |
| 12 | PFKL1028652 | 957011006008 | BOLT, FLANGE, 10X60 | £2.88 | 2 |
| 13 | PFKL1028663 | 957011008008 | BOLT, FLANGE, 10X80 | £3.26 | 1 |
| 14 | PFKL1028672 | 957011009508 | BOLT, FLANGE, 10X95 | £4.01 | 1 |
| 15 | PFKL1028723 | 957011206508 | BOLT, FLANGE, 12X65 | £4.01 | 3 |
| 16 | PFKL1028727 | 957011208008 | BOLT, FLANGE, 12X80 | £2.97 | 3 |
| 17 | PFKL1029271 | 958011008508 | BOLT, FLANGE, 10X85 | £4.01 | 1 |
| 18 | PFKL1029290 | 958011014008 | BOLT, FLANGE, 10X140 | £5.04 | 1 |
| 19 | PFKL1030580 | 967000808008 | BOLT, SOCKET, 8X80 | £3.60 | 1 |

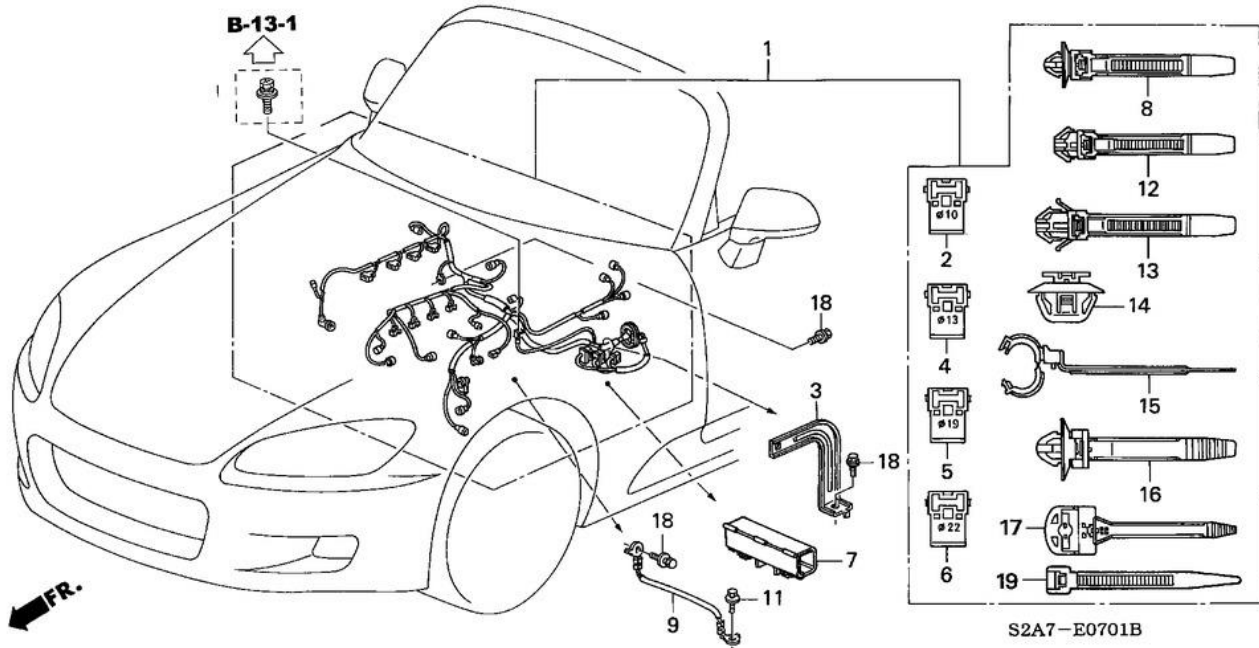
E-6-10 ALTERNATOR (DENSO)



S2A3 - E0610 A

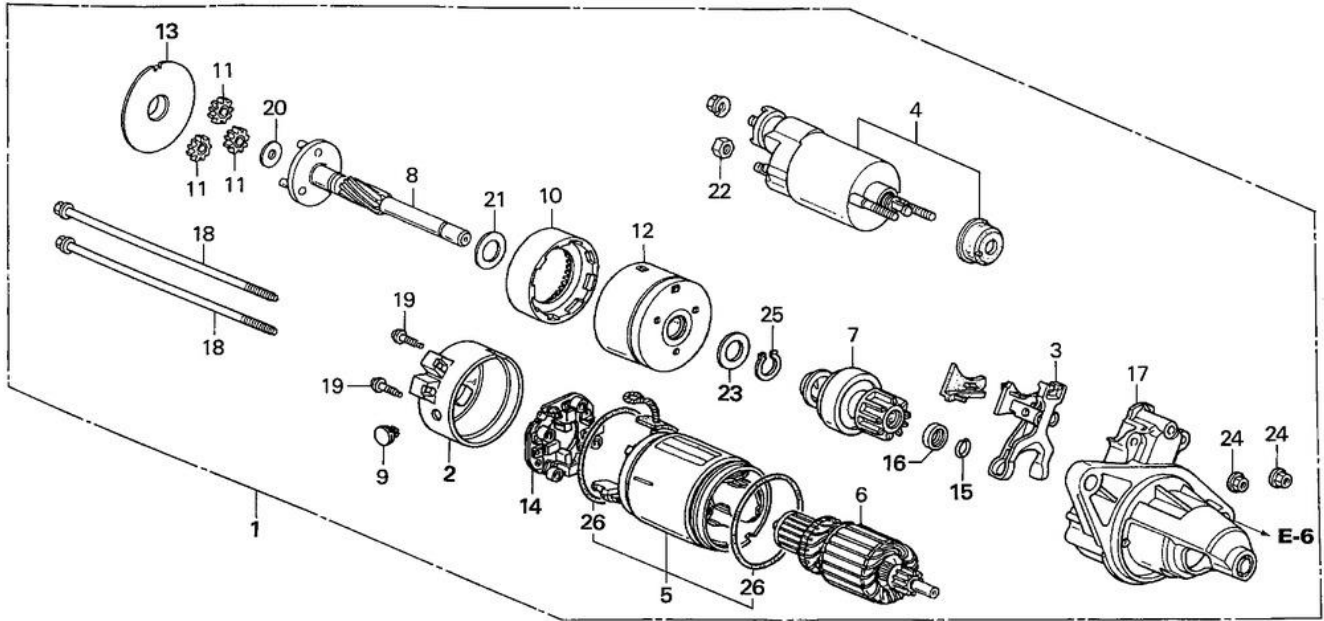
| Ref | Part No | Honda Part No | Description | Price (Each) | Req Qty |
|-----|----------------------------|---------------|----------------------------------|--------------|---------|
| 1 | PFKL460004 | 31100PZX003 | ALTERNATOR ASSY. (CJY24) (DENSO) | £553.87 | 1 |
| 2 | PFKL460786 | 31101P8CA01 | ROTOR ASSY. | £0.00 | 1 |
| 3 | PFKL460958 | 31105PR7A01 | HOLDER ASSY., BRUSH | £43.68 | 1 |
| 4 | PFKL462136 | 31111PT0003 | BEARING, RR. GENERATOR | £33.70 | 1 |
| 5 | PFKL462325 | 31114PT0013 | BEARING, FR. GENERATOR | £33.92 | 1 |
| 6 | PFKL462419 | 31118PT0003 | BUSH, INSULATION | £5.62 | 4 |
| 7 | PFKL462450 | 31119PY3003 | BUSH, INSULATION | £0.00 | 1 |
| 8 | PFKL463888 | 31127PCXJ01 | RECTIFIER ASSY. | £0.00 | 1 |
| 9 | PFKL464148 | 31135PCXJ01 | COVER, RR. END | £18.76 | 1 |
| 10 | PFKL464209 | 31138PD1004 | COVER, BEARING | £8.10 | 1 |
| 11 | PFKL464251 | 31141PCX003 | PULLEY | £0.00 | 1 |
| 12 | PFKL464376 | 31142PD1004 | NUT, PULLEY LOCK | £4.27 | 1 |
| 13 | PFKL464396 | 31145PD1004 | BOLT, STUD, 6X68 | £7.29 | 4 |
| 14 | PFKL464416 | 31146PT0003 | SCREW | £3.76 | 4 |
| 15 | PFKL464421 | 31147PT0003 | SCREW-WASHER | £2.84 | 3 |
| 16 | PFKL464422 | 31147P13003 | SCREW | £2.43 | 1 |
| 17 | PFKL464427 | 31148PT0003 | SCREW, WAVE WASHER | £2.86 | 2 |
| 18 | PFKL464428 | 31148P13003 | SCREW, WAVE WASHER | £2.43 | 4 |
| 19 | PFKL464493 | 31150PZX003 | REGULATOR ASSY. | £0.00 | 1 |
| 20 | PFKL988840 | 90231PD1014 | NUT-WASHER, 5MM | £2.63 | 7 |
| 21 | PFKL988874 | 90232PR7A01 | NUT, HEX., 8MM | £0.00 | 1 |

E-7-1 ENGINE WIRE HARNESS (RH)



| Ref | Part No | Honda Part No | Description | Price (Each) | Req Qty |
|-----|-----------------------------|---------------|---|--------------|---------|
| 1 | PFKL480159 | 32110PCXE04 | HARNESS, ENGINE WIRE | £1,210.36 | 1 |
| 2 | PFKL481250 | 32115P64003 | HOLDER, CORRUGATED (DARK BLUE) (10MM) | £6.79 | 2 |
| 3 | PFKL481273 | 32116PCXJ00 | STAY E, ENGINE HARNESS | £0.00 | 1 |
| 4 | PFKL481277 | 32116P64003 | HOLDER, CORRUGATED (DARK GREEN) (13MM) | £7.24 | 1 |
| 5 | PFKL482533 | 32118P72003 | HOLDER, CORRUGATED (DARK GREEN) (19MM) | £9.53 | 1 |
| 6 | PFKL482599 | 32119P2EA01 | HOLDER, CORRUGATED (DARK BLUE) (22MM) | £6.00 | 3 |
| 7 | PFKL483243 | 32128PCX000 | HOLDER B, ENGINE HARNESS | £0.00 | 1 |
| 8 | PFKL483423 | 32134SM4003 | BAND, HARNESS OFFSET (10) (BROWN) (122.5MM) | £6.87 | 2 |
| 9 | PFKL488732 | 32610S2A900 | CABLE, SUB EARTH | £16.73 | 1 |
| 11 | PFKL986282 | 90149SE0003 | BOLT, EARTH, 6X16 | £5.51 | 1 |
| 12 | PFKL1011978 | 91506RTA003 | CLIP A, HARNESS BAND (DARK VIOLET) (129.4MM) | £5.24 | 7 |
| 13 | PFKL1012009 | 91507RTA003 | CLIP B, HARNESS BAND (DARK GREEN) (129.4MM) | £5.24 | 1 |
| 14 | PFKL1012516 | 91533S04003 | CLIP, COUPLER (NATURAL) | £2.63 | 1 |
| 16 | PFKL1013195 | 91558ST5003 | CLIP, HARNESS BAND (NATURAL) (135MM) (7MM HOLE) | £3.67 | 6 |
| 17 | PFKL1013205 | 91559PAAA01 | CLIP, HARNESS BAND (GRAY) (150MM) | £5.13 | 1 |
| 18 | PFKL1028254 | 957010601208 | BOLT, FLANGE, 6X12 | £1.87 | 3 |
| 19 | PFKL1012827 | 91551PNA003 | BAND, WIRE HARNESS (BLACK) (172MM) | £3.42 | 1 |

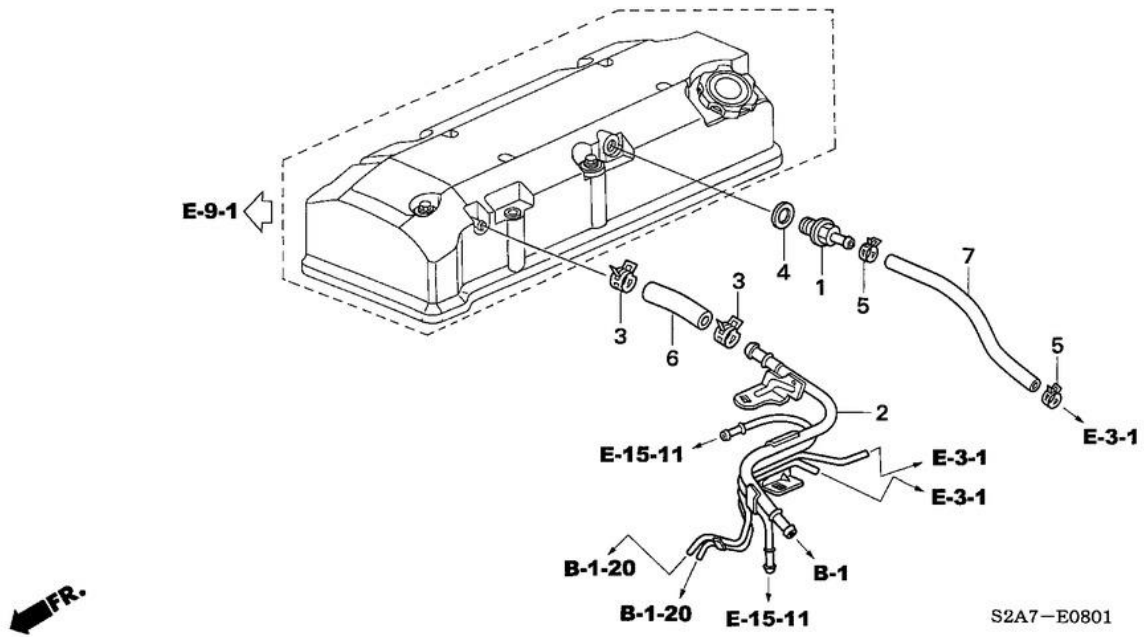
E-7-10 STARTER MOTOR (DENSO)



S2A7-E0710B

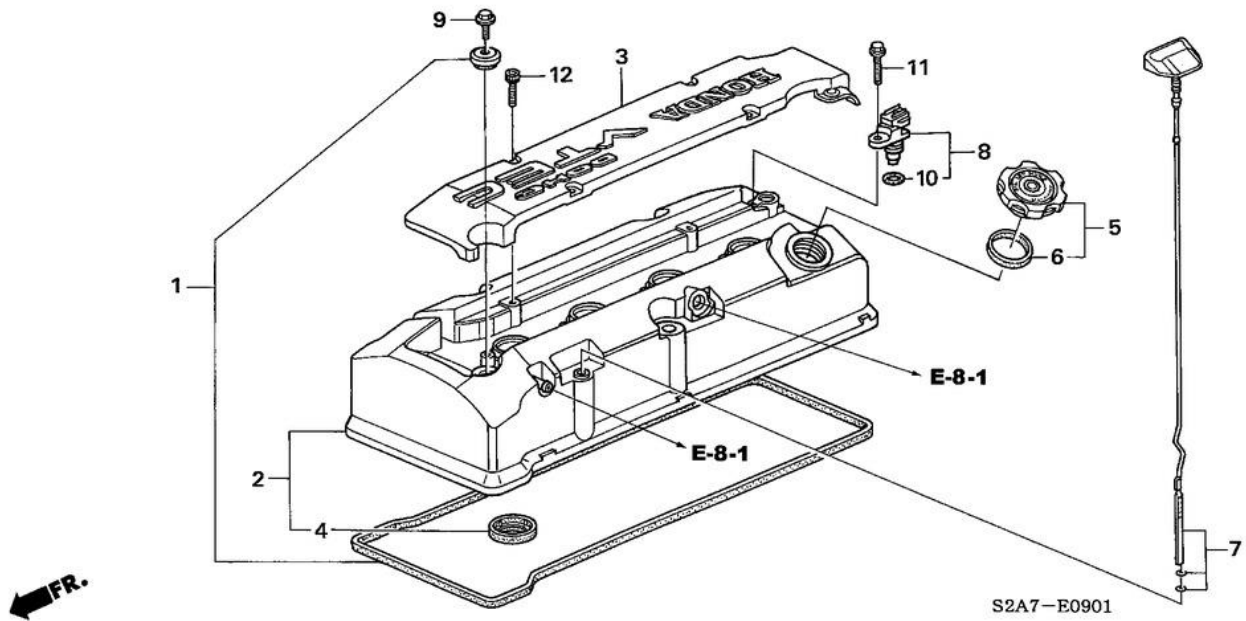
| Ref | Part No | Honda Part No | Description | Price (Each) | Req Qty |
|-----|-----------------------------|---------------|--------------------------------------|--------------|---------|
| 1 | PFKL465371 | 31200PCXA02 | MOTOR ASSY., STARTER (DSDHP) (DENSO) | £419.70 | 1 |
| 2 | PFKL466097 | 31202PCXA02 | ENDFRAME COMP., COMMUTATOR | £0.00 | 1 |
| 3 | PFKL466200 | 31203PCA003 | LEVER, PINION DRIVE | £36.48 | 1 |
| 4 | PFKL466273 | 31204PCXA01 | SWITCH ASSY., MAGNETIC | £0.00 | 1 |
| 5 | PFKL466431 | 31205PCXA02 | YOKE SET | £152.12 | 1 |
| 6 | PFKL466549 | 31206RNAA01 | ARMATURE COMP. | £345.24 | 1 |
| 7 | PFKL466584 | 31207PCA003 | CLUTCH COMP., OVERRUNNING | £276.91 | 1 |
| 8 | PFKL467059 | 31213PCA003 | SHAFT, DRIVE | £162.80 | 1 |
| 9 | PFKL467072 | 31213P64N01 | COVER | £4.52 | 1 |
| 10 | PFKL467098 | 31214P3F003 | GEAR ASSY., INTERNAL | £49.35 | 1 |
| 11 | PFKL467126 | 31215P3F003 | GEAR COMP., PLANETARY | £32.00 | 3 |
| 12 | PFKL467156 | 31216RAA003 | ABSORBER COMP., SHOCK | £15.43 | 1 |
| 13 | PFKL467188 | 31217P3F003 | PLATE, SEAL | £8.31 | 1 |
| 14 | PFKL467389 | 31231P3F003 | PLATE COMP., BRUSH HOLDER | £62.43 | 1 |
| 15 | PFKL452555 | 30201PH9004 | RING, SNAP (DENSO) | £2.27 | 1 |
| 16 | PFKL452595 | 30202RYE003 | COLLAR, CLUTCH STOP | £8.75 | 1 |
| 17 | PFKL466014 | 31201PCXA01 | HOUSING COMP., DRIVE SIDE | £0.00 | 1 |
| 18 | PFKL466114 | 31202PR4003 | BOLT, THROUGH (DENSO) | £8.23 | 4 |
| 19 | PFKL466700 | 31208P3F003 | SCREW, PAN, 4MM | £2.32 | 2 |
| 20 | PFKL467226 | 31218P3F003 | WASHER A | £4.70 | 1 |
| 21 | PFKL467237 | 31219P3F003 | WASHER B | £4.70 | 1 |
| 22 | PFKL467261 | 31220PH9004 | NUT, HEX., 8MM | £3.98 | 1 |
| 23 | PFKL467266 | 31220P3F003 | WASHER C | £5.90 | 1 |
| 24 | PFKL467307 | 31223PA0006 | NUT, HEX. | £3.98 | 2 |
| 25 | PFKL1021912 | 9451015000 | CIRCLIP, EXTERNAL, 15MM | £1.87 | 1 |
| 26 | PFKL467351 | 31228PLRA01 | O-RING | £2.56 | 2 |

E-8-1 BREATHER PIPE ('06-)



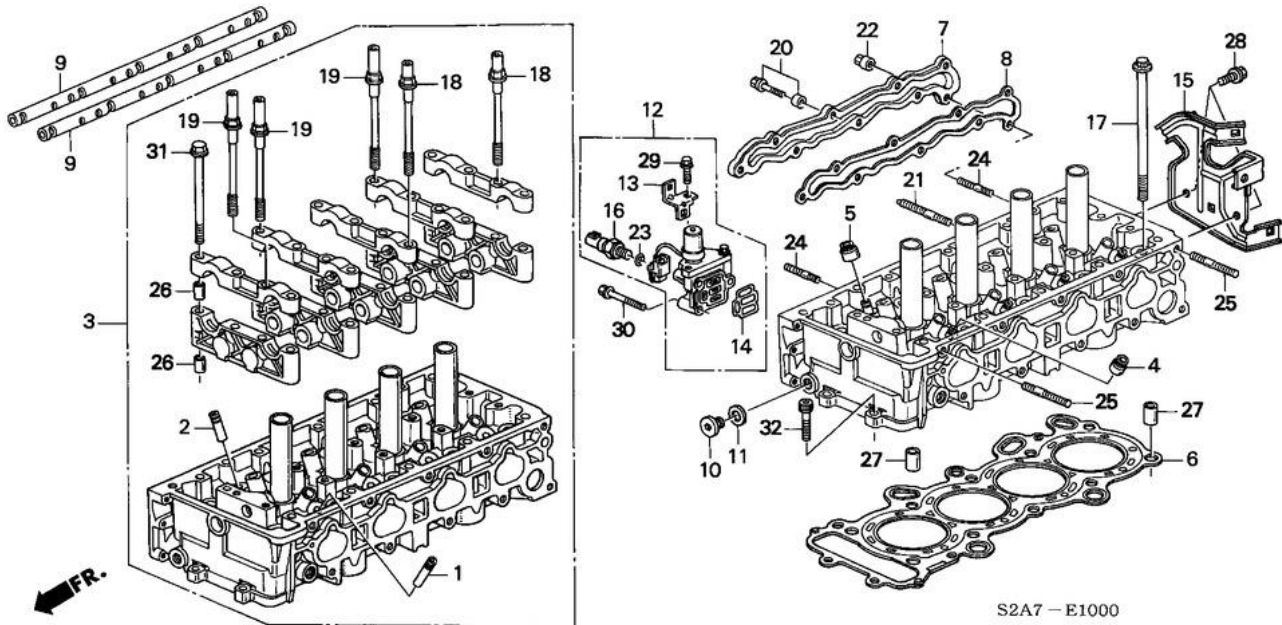
| Ref | Part No | Honda Part No | Description | Price (Each) | Req Qty |
|-----|-----------------------------|---------------|---------------------------------|--------------|---------|
| 1 | PFKL349121 | 17130PCX003 | VALVE ASSY., PCV | £49.49 | 1 |
| 2 | PFKL349314 | 17137PCXG00 | PIPE COMP., BREATHER | £80.68 | 1 |
| 3 | PFKL1011253 | 91405PM5004 | CLAMP, TUBE (D17) | £6.35 | 2 |
| 4 | PFKL1021515 | 9410914000 | WASHER, DRAIN PLUG, 14MM | £1.49 | 1 |
| 5 | PFKL1023427 | 950024120004 | CLAMP, TUBE (D12) | £2.05 | 2 |
| 6 | PFKL1024394 | 950051206010 | TUBE, 12X60 (95005-12001-10M) | £0.00 | 1 |
| 7 | PFKL1027277 | 950057523010 | TUBE, 7.3X230 (95005-75001-10M) | £0.00 | 1 |

E-9-1 CYLINDER HEAD COVER ('06-)



| Ref | Part No | Honda Part No | Description | Price (Each) | Req Qty |
|-----|-----------------------------|---------------|-----------------------------|--------------|---------|
| 1 | PFKL266819 | 12040PCX305 | PACKING SET, HEAD COVER | £35.51 | 1 |
| 2 | PFKL273138 | 12310PCX020 | COVER COMP., CYLINDER HEAD | £571.67 | 1 |
| 3 | PFKL273993 | 12331PCX010 | COVER, IGNITION COIL | £99.58 | 1 |
| 4 | PFKL274188 | 12342PCX004 | SEAL, SPARK PLUG TUBE (NOK) | £7.52 | 4 |
| 5 | PFKL315447 | 15610P2A000 | CAP ASSY., OIL FILLER | £26.08 | 1 |
| 6 | PFKL315510 | 15613PC6000 | PACKING, OIL FILLER | £8.31 | 1 |
| 7 | PFKL315873 | 15650PCX006 | GAUGE COMP., OIL LEVEL | £40.48 | 1 |
| 8 | PFKL550672 | 37510PZX003 | SENSOR ASSY., TDC | £146.00 | 1 |
| 9 | PFKL975750 | 90013PCX000 | BOLT, SPECIAL, 6X12 | £4.41 | 5 |
| 10 | PFKL1010405 | 91333PNA003 | O-RING, 15X1.9 | £3.11 | 1 |
| 11 | PFKL1028285 | 957010601807 | BOLT, FLANGE, 6X18 | £1.87 | 1 |
| 12 | PFKL1030414 | 966000601807 | BOLT, SOCKET, 6X18 | £2.14 | 4 |

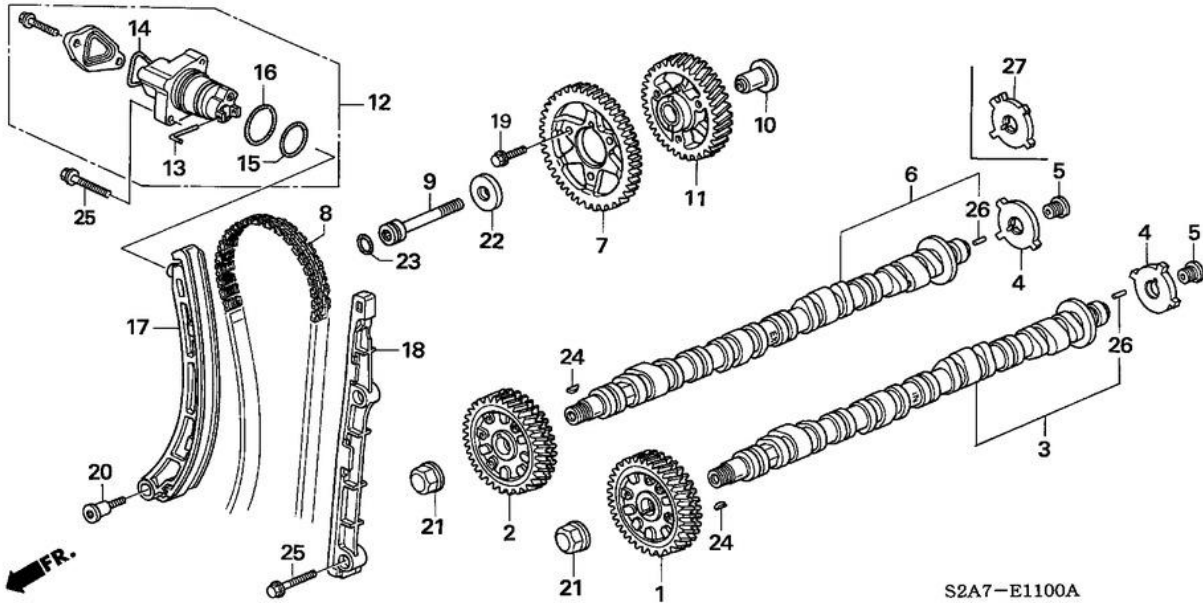
E-10 CYLINDER HEAD



| Ref | Part No | Honda Part No | Description | Price (Each) | Req Qty |
|-----|-----------------------------|---------------|---|--------------|---------|
| 1 | PFKL266533 | 12010PCX000 | GUIDE, IN. VALVE (OS) | £23.54 | 8 |
| 2 | PFKL266568 | 12011PCX010 | GUIDE, EX. VALVE (OS) | £25.16 | 8 |
| 3 | PFKL267225 | 12100PCXG01 | HEAD ASSY., CYLINDER | £2,423.32 | 1 |
| 4 | PFKL270595 | 12210PZ1003 | SEAL A, VALVE STEM (ARAI) | £9.65 | 8 |
| 4 | PFKL270596 | 12210PZ1004 | SEAL A, VALVE STEM (NOK) | £9.65 | 8 |
| 5 | PFKL270719 | 12211PZ1004 | SEAL B, VALVE STEM (ARAI) | £9.65 | 8 |
| 5 | PFKL270719 | 12211PZ1004 | SEAL B, VALVE STEM (NOK) | £9.65 | 8 |
| 6 | PFKL271918 | 12251PCX004 | GASKET, CYLINDER HEAD (NIPPON LEAKLESS) | £91.27 | 1 |
| 7 | PFKL275071 | 12811PCX004 | COVER, CYLINDER HEAD SIDE | £50.33 | 1 |
| 8 | PFKL275074 | 12821PCX004 | GASKET, CYLINDER HEAD SIDE COVER | £13.71 | 1 |
| 9 | PFKL308346 | 14631PCX000 | SHAFT, VALVE ROCKER ARM | £84.42 | 2 |
| 10 | PFKL313814 | 15301PE0300 | BOLT, SEALING, 14MM | £7.54 | 1 |
| 11 | PFKL313823 | 15302PE0300 | WASHER, SEALING, 14MM | £5.33 | 1 |
| 12 | PFKL316651 | 15810PCXA03 | VALVE ASSY., SPOOL | £474.40 | 1 |
| 13 | PFKL316706 | 15816PCX005 | STAY, COUPLER HOLD | £6.01 | 1 |
| 14 | PFKL316717 | 15825PCX015 | FILTER ASSY., SPOOL VALVE | £26.58 | 1 |
| 15 | PFKL482657 | 32120PCX000 | BRACKET, ENGINE HARNESS | £10.36 | 1 |
| 16 | PFKL549401 | 37250PCXA02 | SWITCH ASSY., VALVE TIMING OIL PRESSURE | £112.82 | 1 |
| 17 | PFKL974776 | 90005PCX003 | BOLT-WASHER, 12X163 | £13.97 | 10 |
| 18 | PFKL975457 | 90011PCX004 | BOLT A, HEAD COVER | £13.43 | 2 |
| 19 | PFKL975629 | 90012PCX004 | BOLT B, HEAD COVER | £13.43 | 3 |
| 20 | PFKL975877 | 90014PCX000 | BOLT-WASHER, 6X20 | £6.37 | 7 |
| 21 | PFKL976904 | 90026PT0000 | BOLT, STUD, 8X38 | £5.13 | 7 |
| 22 | PFKL988392 | 90202PCX000 | NUT, FLANGE, 6MM | £0.00 | 2 |
| 23 | PFKL1010281 | 91319PAAA01 | O-RING, 13X1.5 | £7.29 | 1 |
| 24 | PFKL1016812 | 92900060200E | BOLT, STUD, 6X20 | £2.09 | 2 |

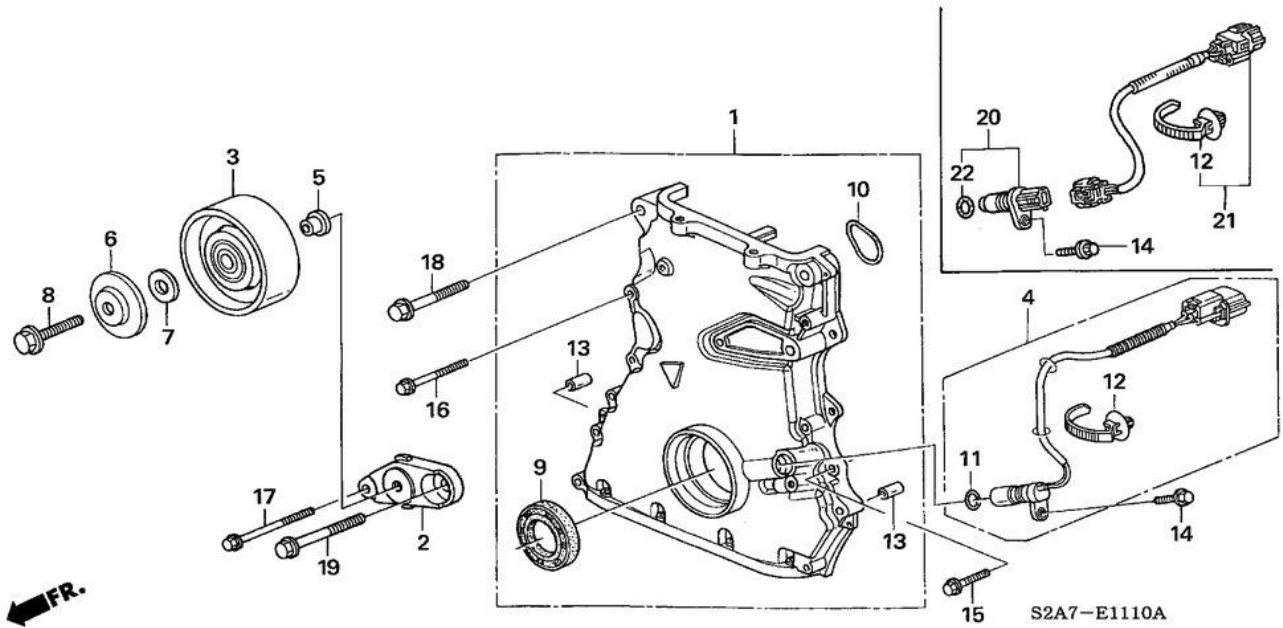
| | | | | | |
|----|-----------------------------|--------------|--------------------|-------|----|
| 25 | PFLK1016863 | 92900080251B | BOLT, STUD, 8X25 | £2.09 | 2 |
| 26 | PFLK1021708 | 9430110160 | DOWEL PIN, 10X16 | £3.46 | 20 |
| 27 | PFLK1021720 | 9430114200 | DOWEL PIN, 14X20 | £2.88 | 2 |
| 28 | PFLK1028254 | 957010601208 | BOLT, FLANGE, 6X12 | £1.87 | 2 |
| 29 | PFLK1028286 | 957010601808 | BOLT, FLANGE, 6X18 | £1.87 | 1 |
| 30 | PFLK1028367 | 957010605008 | BOLT, FLANGE, 6X50 | £2.09 | 3 |
| 31 | PFLK1028569 | 957010809000 | BOLT, FLANGE, 8X90 | £3.26 | 15 |
| 32 | PFLK1030560 | 967000803207 | BOLT, SOCKET, 8X32 | £2.30 | 2 |

E-11 CAMSHAFT/CAM CHAIN

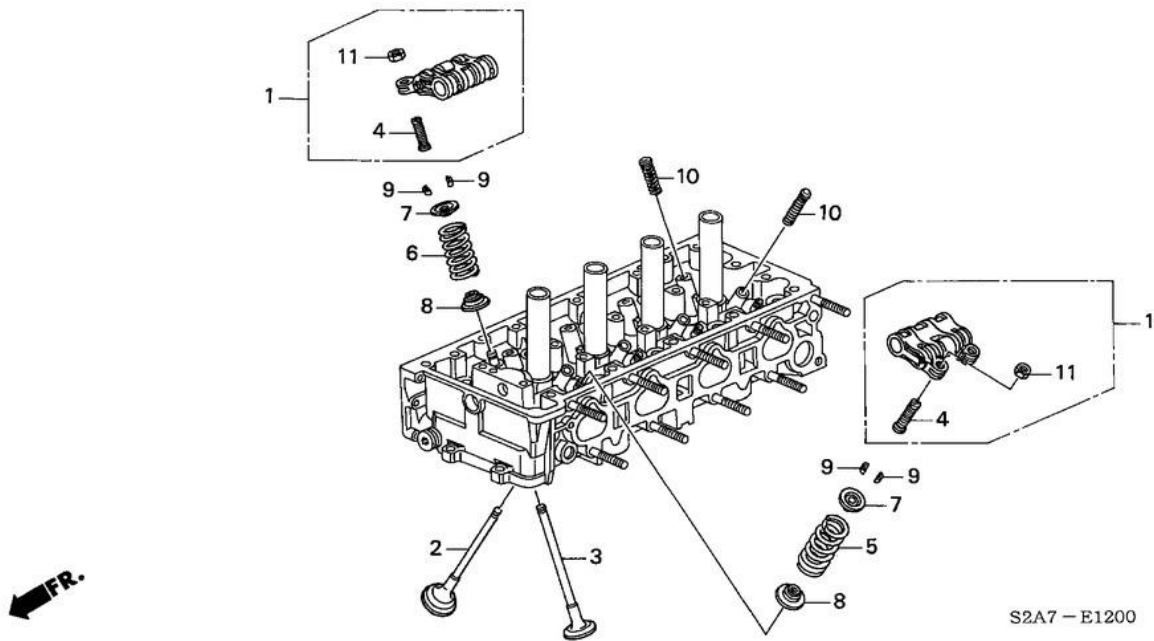


| Ref | Part No | Honda Part No | Description | Price (Each) | Req Qty |
|-----|-----------------------------|---------------|--------------------------------|--------------|---------|
| 1 | PFKL302084 | 14010PCX000 | GEAR ASSY., CAM IN. | £152.15 | 1 |
| 2 | PFKL302088 | 14011PCX000 | GEAR ASSY., EX. CAM | £280.61 | 1 |
| 3 | PFKL303107 | 14110PCX000 | CAMSHAFT COMP., IN. | £654.90 | 1 |
| 4 | PFKL303569 | 14113PCX000 | PLATE, CAM | £12.67 | 1 |
| 5 | PFKL303577 | 14114PCX000 | BOLT, SEALING, 14MM | £13.43 | 2 |
| 6 | PFKL303693 | 14120PCXG00 | CAMSHAFT COMP., EX. | £613.96 | 1 |
| 7 | PFKL304535 | 14210PCX004 | SPROCKET, CAM CHAIN DRIVEN | £156.53 | 1 |
| 8 | PFKL305628 | 14401PCX004 | CHAIN (138L) | £137.52 | 1 |
| 9 | PFKL305902 | 14421PCX003 | SHAFT, IDLER GEAR | £12.39 | 1 |
| 10 | PFKL305924 | 14422PCX000 | COLLAR, IDLE GEAR | £25.31 | 1 |
| 11 | PFKL306023 | 14431PCX010 | GEAR COMP., CAM IDLER | £194.25 | 1 |
| 12 | PFKL306811 | 14510PCX005 | TENSIONER COMP., CAM CHAIN | £334.92 | 1 |
| 13 | PFKL306919 | 14511PCX005 | SET PIN | £6.21 | 0 |
| 14 | PFKL306931 | 14512PCX005 | O-RING A | £5.09 | 1 |
| 15 | PFKL306938 | 14513PCX005 | O-RING B | £5.09 | 1 |
| 16 | PFKL306963 | 14514PCX005 | O-RING C | £6.12 | 1 |
| 17 | PFKL307258 | 14520PCX003 | ARM COMP., CAM CHAIN TENSIONER | £162.82 | 1 |
| 18 | PFKL307381 | 14530PCX004 | GUIDE, CAM CHAIN | £124.45 | 1 |
| 19 | PFKL973988 | 90001PZ1000 | BOLT, FLANGE, 6X16 | £3.74 | 3 |
| 20 | PFKL974424 | 90003PCX000 | BOLT, TENSIONER PIVOT | £15.68 | 1 |
| 21 | PFKL988234 | 90201PCX000 | NUT, FLANGE, 18MM | £9.88 | 2 |
| 22 | PFKL991171 | 90401PCX000 | WASHER, 13.6X34X4 | £7.22 | 1 |
| 23 | PFKL1008836 | 91301PCX003 | O-RING, 16.3X1.5 | £4.91 | 1 |
| 24 | PFKL1021897 | 9440113120 | KEY, WOODRUFF, 13X12 | £7.65 | 2 |
| 25 | PFKL1028316 | 957010602508 | BOLT, FLANGE, 6X25 | £2.14 | 4 |
| 26 | PFKL1030035 | 9622020080 | ROLLER, 2X8 | £0.67 | 2 |
| 27 | PFKL303561 | 14112PCX003 | PLATE, TDC PULSE | £26.38 | 1 |

E-11-10 CHAIN CASE

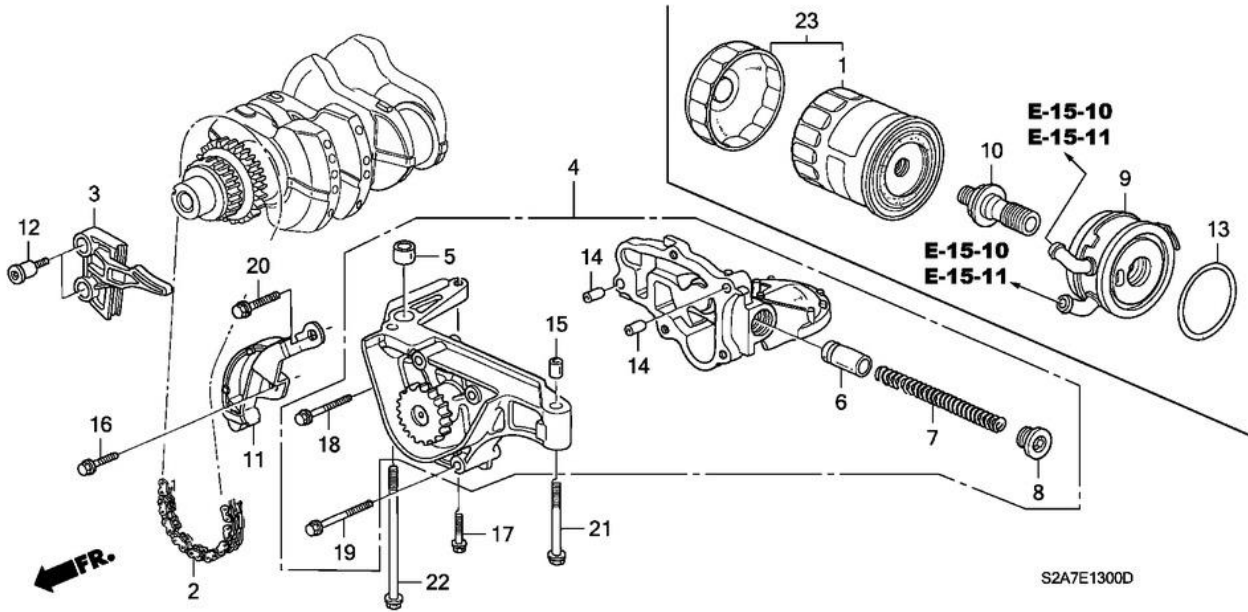


| Ref | Part No | Honda Part No | Description | Price (Each) | Req Qty |
|-----|-----------------------------|---------------|------------------------------------|--------------|---------|
| 1 | PFKL264136 | 11410PCX010 | CASE ASSY., CHAIN | £286.63 | 1 |
| 2 | PFKL464748 | 31175PCX000 | BRACKET, IDLE PULLEY | £16.82 | 1 |
| 3 | PFKL464881 | 31190PCX000 | PULLEY COMP., IDLE | £65.08 | 1 |
| 5 | PFKL565649 | 38944P02000 | COLLAR, IDLE PULLEY | £7.84 | 1 |
| 6 | PFKL565662 | 38945PM3000 | COVER, BEARING | £6.48 | 1 |
| 7 | PFKL976226 | 90017PE0000 | WASHER, 10MM | £3.76 | 1 |
| 8 | PFKL977112 | 90031PCX000 | BOLT, SPECIAL FLANGE, 10X36 | £6.93 | 1 |
| 9 | PFKL1007173 | 91212PCX003 | OIL SEAL, 43X58X8 | £26.90 | 1 |
| 10 | PFKL1009861 | 91308PCX004 | O-RING, CHAIN CASE | £8.51 | 1 |
| 12 | PFKL1012834 | 91551SF4003 | BAND, WIRE HARNESS (BROWN) (110MM) | £8.46 | 2 |
| 13 | PFKL1021698 | 9430108100 | DOWEL PIN, 8X10 | £2.34 | 2 |
| 14 | PFKL1028286 | 957010601808 | BOLT, FLANGE, 6X18 | £1.87 | 1 |
| 15 | PFKL1028296 | 957010602008 | BOLT, FLANGE, 6X20 | £1.87 | 1 |
| 16 | PFKL1028345 | 957010603508 | BOLT, FLANGE, 6X35 | £2.14 | 8 |
| 17 | PFKL1028367 | 957010605008 | BOLT, FLANGE, 6X50 | £2.09 | 1 |
| 18 | PFKL1028644 | 957011004508 | BOLT, FLANGE, 10X45 | £2.34 | 2 |
| 19 | PFKL1029251 | 958011005008 | BOLT, FLANGE, 10X50 | £2.34 | 1 |
| 20 | PFKL550598 | 37500PZX003 | SENSOR ASSY., CRANK | £146.00 | 1 |
| 21 | PFKL550637 | 37501PCX000 | SUB HARNESS, CRANK SENSOR | £29.33 | 1 |
| 22 | PFKL1010405 | 91333PNA003 | O-RING, 15X1.9 | £3.11 | 1 |



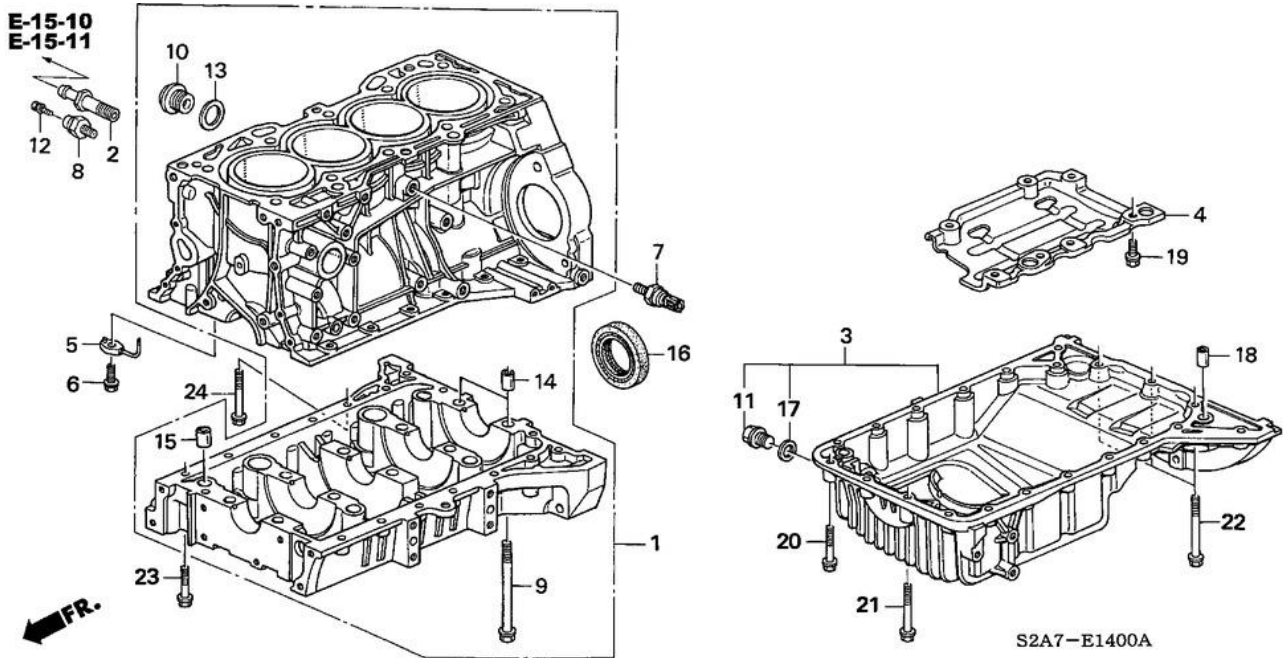
| Ref | Part No | Honda Part No | Description | Price (Each) | Req Qty |
|-----|----------------------------|---------------|---|--------------|---------|
| 1 | PFKL308067 | 14620PCX010 | ARM ASSY., ROCKER | £636.93 | 8 |
| 2 | PFKL308791 | 14711PCX000 | VALVE, IN. (YELLOW) (NIPPON HATSUJO) | £46.38 | 8 |
| 3 | PFKL309229 | 14721PCX000 | VALVE, EX. (BLUE) (NIPPON HATSUJO) | £73.70 | 8 |
| 4 | PFKL309620 | 14744PCX014 | SCREW, TAPPET ADJUSTING | £8.53 | 16 |
| 5 | PFKL310211 | 14761PCX003 | SPRING, IN. VALVE (YELLOW) (NHK SPRING) | £12.96 | 8 |
| 6 | PFKL310435 | 14762PCX003 | SPRING, EX. VALVE (BLUE) (NIPPON HATSUJO) | £12.14 | 8 |
| 7 | PFKL310542 | 14765PRBA01 | RETAINER, VALVE SPRING | £7.67 | 16 |
| 8 | PFKL310760 | 14775PCX000 | SEAT, VALVE SPRING | £7.67 | 16 |
| 9 | PFKL310898 | 14781PCX004 | COTTER, VALVE | £6.59 | 32 |
| 10 | PFKL311045 | 14820PCX003 | MOTION COMP., LOST | £22.55 | 8 |
| 11 | PFKL988575 | 90206PT0004 | NUT, TAPPET ADJUSTING | £2.66 | 16 |

E-13 OIL PUMP/OIL STRAINER



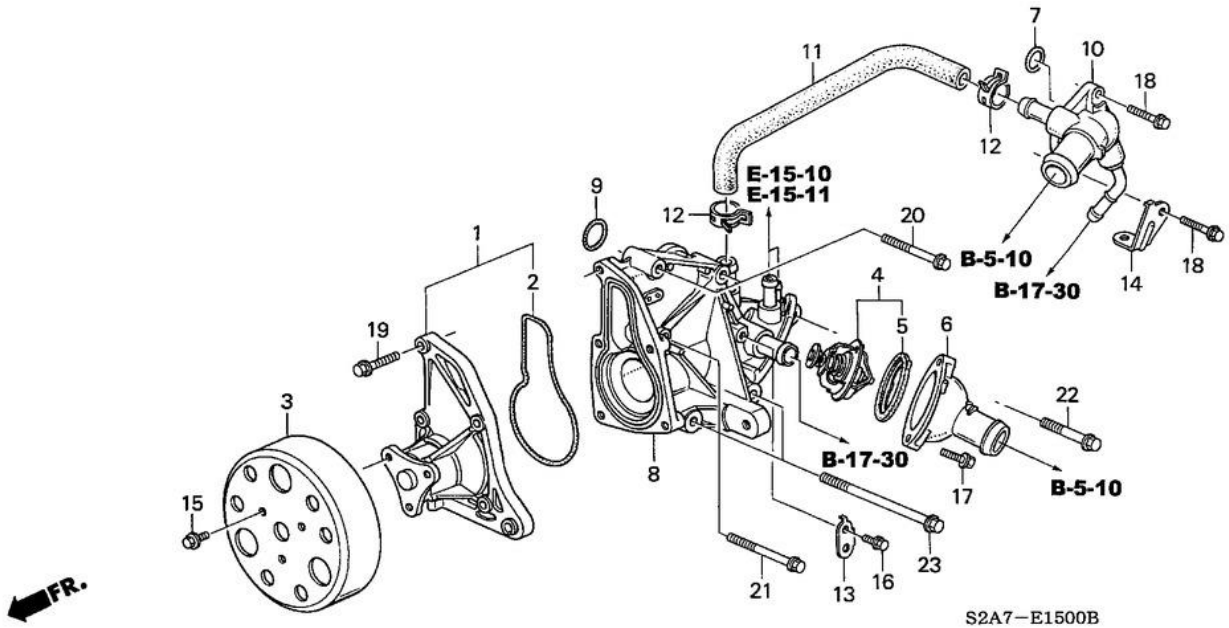
| Ref | Part No | Honda Part No | Description | Price (Each) | Req Qty |
|-----|-----------------------------|---------------|-----------------------------------|--------------|---------|
| 1 | PFKL314041 | 15400PCX004 | CARTRIDGE, OIL FILTER (TOYO ROKI) | £14.78 | 1 |
| 2 | PFKL299370 | 13441PCX004 | CHAIN (64L) | £71.35 | 1 |
| 3 | PFKL299527 | 13460PCX003 | GUIDE, OIL PUMP CHAIN | £17.31 | 1 |
| 4 | PFKL312110 | 15100PCX023 | PUMP ASSY., OIL | £429.82 | 1 |
| 5 | PFKL312725 | 15123PCX003 | DOWEL PIN, 18X13 | £5.89 | 1 |
| 6 | PFKL313635 | 15231PR7A00 | VALVE, RELIEF | £32.54 | 1 |
| 7 | PFKL313667 | 15232PR7A00 | SPRING, RELIEF VALVE | £11.61 | 1 |
| 8 | PFKL313691 | 15233PR7A00 | BOLT, SEALING, 20MM | £10.48 | 1 |
| 9 | PFKL314572 | 15500PCX004 | COOLER, ENGINE OIL | £450.62 | 1 |
| 10 | PFKL315191 | 15560PCX004 | BOLT, OIL COOLER CENTER | £35.81 | 1 |
| 11 | PFKL316765 | 15910PCX004 | TENSIONER COMP., OIL PUMP CHAIN | £140.78 | 1 |
| 12 | PFKL974616 | 90004PCX000 | BOLT, CHAIN GUIDE | £9.45 | 2 |
| 13 | PFKL1010217 | 91316PE7730 | O-RING, 62.4X3.1 | £5.63 | 1 |
| 14 | PFKL1021698 | 9430108100 | DOWEL PIN, 8X10 | £2.34 | 2 |
| 15 | PFKL1021706 | 9430110120 | DOWEL PIN, 10X12 | £2.88 | 1 |
| 16 | PFKL1028277 | 957010601608 | BOLT, FLANGE, 6X16 | £1.87 | 1 |
| 17 | PFKL1028316 | 957010602508 | BOLT, FLANGE, 6X25 | £2.14 | 1 |
| 18 | PFKL1028331 | 957010603008 | BOLT, FLANGE, 6X30 | £2.09 | 1 |
| 19 | PFKL1028361 | 957010604508 | BOLT, FLANGE, 6X45 | £2.09 | 4 |
| 20 | PFKL1028463 | 957010802008 | BOLT, FLANGE, 8X20 | £1.87 | 1 |
| 21 | PFKL1028557 | 957010807508 | BOLT, FLANGE, 8X75 | £2.34 | 1 |
| 22 | PFKL1028592 | 957010814008 | BOLT, FLANGE, 8X140 | £4.12 | 1 |
| 23 | PFKL314041 | 15400PCX004 | FILTER SET, OIL | £14.78 | 0 |

E-14 CYLINDER BLOCK/OIL PAN



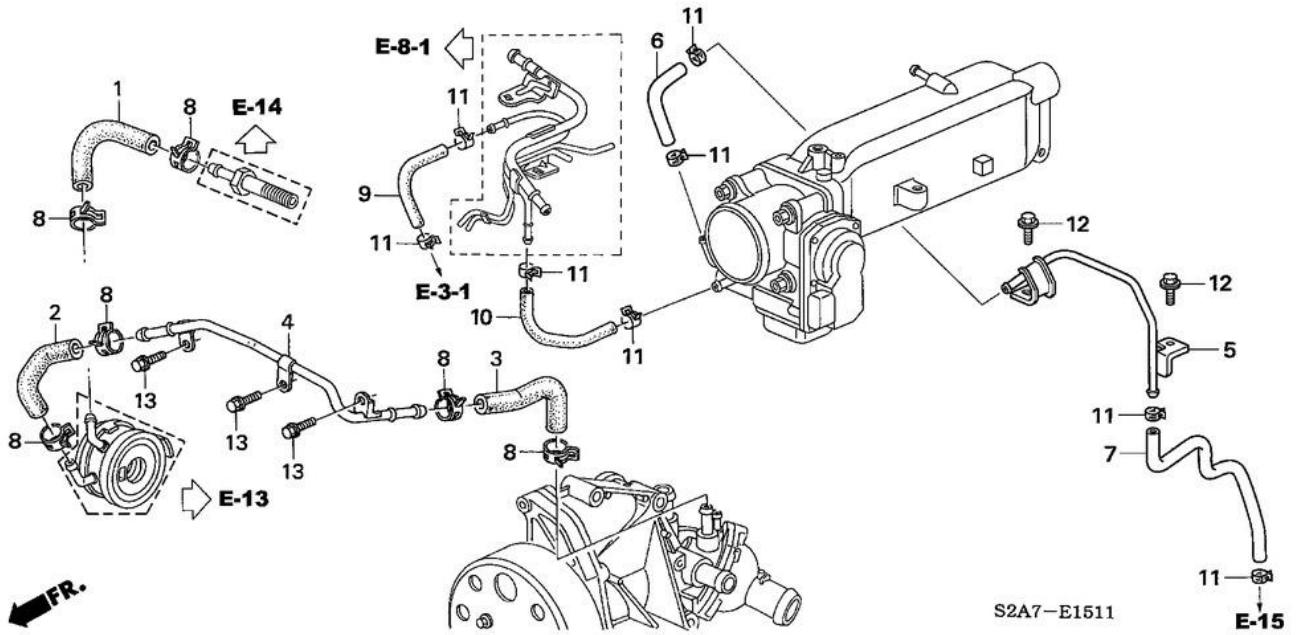
| Ref | Part No | Honda Part No | Description | Price (Each) | Req Qty |
|-----|-----------------------------|---------------|--------------------------|--------------|---------|
| 1 | PFKL256449 | 11000PCX010 | BLOCK ASSY., CYLINDER | £0.00 | 1 |
| 2 | PFKL257558 | 11107PT2000 | JOINT, OIL COOLER | £11.11 | 1 |
| 3 | PFKL258693 | 11200PCX000 | PAN COMP., OIL | £342.16 | 1 |
| 4 | PFKL259375 | 11221PCX000 | PLATE, BAFFLE | £47.95 | 1 |
| 5 | PFKL313767 | 15280PCX010 | BODY COMP., OIL JET | £24.70 | 4 |
| 6 | PFKL313790 | 15290PCX000 | BOLT COMP., OIL JET | £37.56 | 4 |
| 7 | PFKL457043 | 30530PRC003 | SENSOR ASSY., KNOCK | £142.34 | 1 |
| 8 | PFKL548622 | 37240P13013 | SWITCH, OIL PRESSURE | £56.69 | 1 |
| 9 | PFKL973942 | 90001PCX003 | BOLT-WASHER, 10X105 | £11.83 | 10 |
| 10 | PFKL973969 | 90001PM3003 | BOLT, DRAIN PLUG, 28MM | £13.33 | 1 |
| 11 | PFKL975240 | 90009PY3000 | BOLT, DRAIN PLUG, 14MM | £7.72 | 1 |
| 12 | PFKL977533 | 90037PCX003 | BOLT-WASHER, 4X8 | £4.41 | 1 |
| 13 | PFKL991190 | 90401PR4000 | WASHER, SEALING, 28MM | £2.36 | 1 |
| 14 | PFKL1000286 | 90702PE0000 | DOWEL PIN, 12X18 | £3.85 | 10 |
| 15 | PFKL1000358 | 90703PE0000 | DOWEL PIN, 18X22 | £7.43 | 1 |
| 16 | PFKL1007324 | 91214PCX003 | OIL SEAL, 80X98X10 (NOK) | £33.53 | 1 |
| 17 | PFKL1021515 | 9410914000 | WASHER, DRAIN PLUG, 14MM | £1.49 | 1 |
| 18 | PFKL1021716 | 9430112200 | DOWEL PIN, 12X20 | £2.88 | 2 |
| 19 | PFKL1028265 | 957010601408 | BOLT, FLANGE, 6X14 | £1.87 | 7 |
| 20 | PFKL1028345 | 957010603508 | BOLT, FLANGE, 6X35 | £2.14 | 17 |
| 21 | PFKL1028367 | 957010605008 | BOLT, FLANGE, 6X50 | £2.09 | 1 |
| 22 | PFKL1028383 | 957010606508 | BOLT, FLANGE, 6X65 | £2.36 | 3 |
| 23 | PFKL1028514 | 957010804008 | BOLT, FLANGE, 8X40 | £2.09 | 15 |
| 24 | PFKL1028535 | 957010805508 | BOLT, FLANGE, 8X55 | £2.30 | 1 |

E-15 WATER PUMP



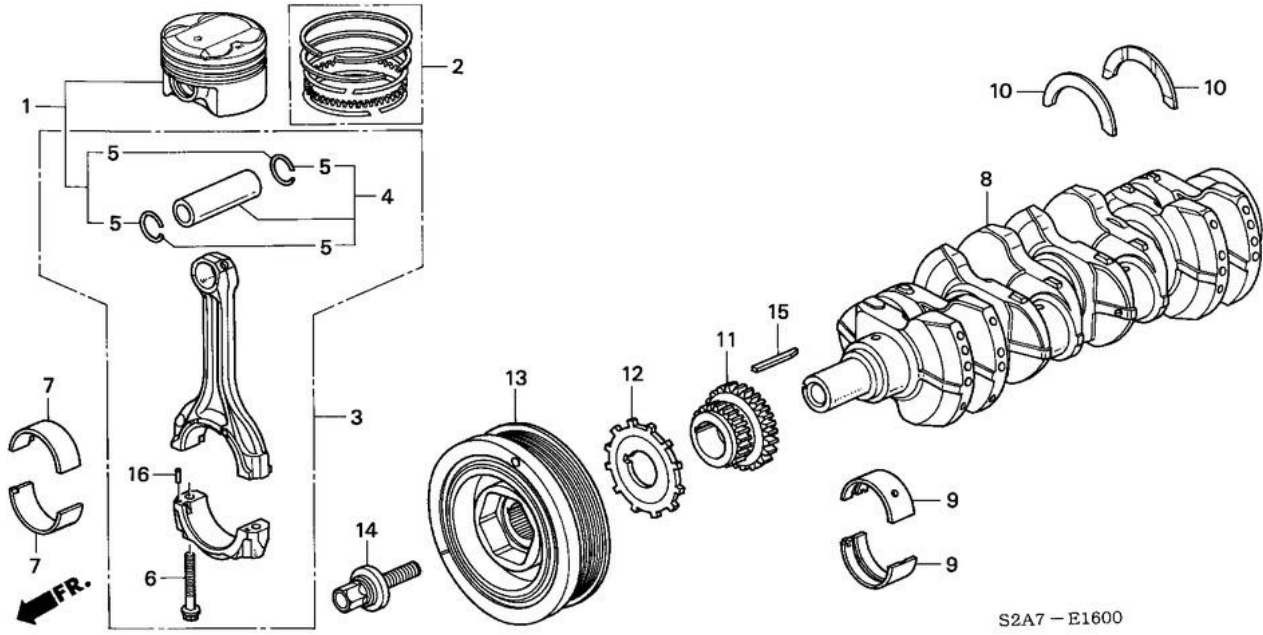
| Ref | Part No | Honda Part No | Description | Price (Each) | Req Qty |
|-----|-----------------------------|---------------|--|--------------|---------|
| 1 | PFKL402999 | 19210PCX003 | PUMP SET, WATER | £191.63 | 1 |
| 2 | PFKL403398 | 19222PCX003 | GASKET, WATER PUMP | £6.87 | 1 |
| 3 | PFKL403471 | 19224PCX000 | PULLEY, WATER PUMP | £45.78 | 1 |
| 4 | PFKL404263 | 19301P8EA10 | THERMOSTAT ASSY. (NIPPON THERMOSTAT) | £55.37 | 1 |
| 5 | PFKL404295 | 19305PR7A00 | RUBBER, THERMOSTAT MOUNTING | £7.96 | 1 |
| 6 | PFKL404420 | 19311PCX000 | COVER, THERMOSTAT | £33.10 | 1 |
| 7 | PFKL404500 | 19313PCX003 | O-RING, WATER OUTLET COVER | £6.50 | 1 |
| 8 | PFKL404707 | 19320PCX000 | CASE COMP., THERMOSTAT | £230.27 | 1 |
| 9 | PFKL404788 | 19322PCX003 | O-RING, 43.8X3.1 | £6.50 | 1 |
| 10 | PFKL404927 | 19360PCX000 | COVER COMP., WATER | £30.17 | 1 |
| 11 | PFKL406024 | 19504PCX000 | HOSE, BYPASS IN. | £14.53 | 1 |
| 12 | PFKL407021 | 19513PE0003 | CLAMP, WATER HOSE (21.7MM) (CHUO SPRING) | £5.31 | 2 |
| 13 | PFKL483085 | 32123POGA00 | STAY, TDC-SENSOR WIRE HARNESS | £3.02 | 1 |
| 14 | PFKL490054 | 32751POGA00 | STAY C, ENGINE HARNESS | £6.57 | 1 |
| 15 | PFKL975750 | 90013PCX000 | BOLT, SPECIAL, 6X12 | £4.41 | 3 |
| 16 | PFKL1028254 | 957010601208 | BOLT, FLANGE, 6X12 | £1.87 | 1 |
| 17 | PFKL1028296 | 957010602008 | BOLT, FLANGE, 6X20 | £1.87 | 2 |
| 18 | PFKL1028316 | 957010602508 | BOLT, FLANGE, 6X25 | £2.14 | 2 |
| 19 | PFKL1028491 | 957010803008 | BOLT, FLANGE, 8X30 | £2.09 | 5 |
| 20 | PFKL1028529 | 957010805008 | BOLT, FLANGE, 8X50 | £2.30 | 2 |
| 21 | PFKL1028541 | 957010806008 | BOLT, FLANGE, 8X60 | £2.30 | 1 |
| 22 | PFKL1028644 | 957011004508 | BOLT, FLANGE, 10X45 | £2.34 | 1 |
| 23 | PFKL1029277 | 958011010008 | BOLT, FLANGE, 10X100 | £3.71 | 2 |

E-15-11 WATER HOSE ('06-)



| Ref | Part No | Honda Part No | Description | Price (Each) | Req Qty |
|-----|-----------------------------|---------------|----------------------------|--------------|---------|
| 1 | PFKL405118 | 19422PCX000 | HOSE, OIL COOLER IN. | £8.94 | 1 |
| 2 | PFKL405143 | 19423PCX000 | HOSE A, OIL COOLER OUTLET | £8.94 | 1 |
| 3 | PFKL405159 | 19424PCX000 | HOSE B, OIL COOLER OUTLET | £8.94 | 1 |
| 4 | PFKL405175 | 19426PCX000 | PIPE COMP., OIL COOLER | £54.37 | 1 |
| 5 | PFKL406224 | 19505PZX000 | PIPE COMP., CONNECTING | £0.00 | 1 |
| 6 | PFKL406461 | 19507PZX000 | HOSE, THROTTLE BODY OUTLET | £6.77 | 1 |
| 7 | PFKL406579 | 19508PZX000 | HOSE, OUTLET | £10.16 | 1 |
| 8 | PFKL406980 | 19512PK2003 | CLIP, HOSE, 18.7MM | £5.67 | 6 |
| 9 | PFKL407070 | 19514PZX000 | HOSE A, BREATHER HEATER | £5.49 | 1 |
| 10 | PFKL407124 | 19515PZX000 | HOSE B, BREATHER HEATER | £5.49 | 1 |
| 11 | PFKL1023430 | 950024125004 | CLAMP, TUBE (D12.5) | £2.05 | 8 |
| 12 | PFKL1028254 | 957010601208 | BOLT, FLANGE, 6X12 | £1.87 | 2 |
| 13 | PFKL1028265 | 957010601408 | BOLT, FLANGE, 6X14 | £1.87 | 3 |

E-16 PISTON/CRANKSHAFT

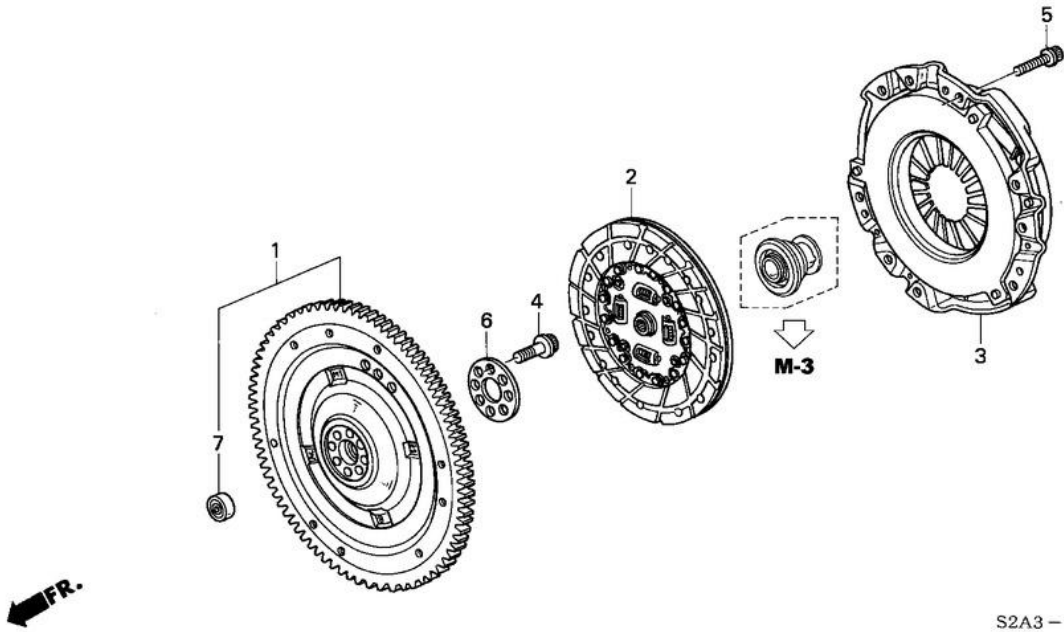


S2A7 - E1600

| Ref | Part No | Honda Part No | Description | Price (Each) | Req Qty |
|-----|-----------------------------|---------------|--|--------------|---------|
| 1 | PFKL284323 | 13010PCXA04 | PISTON SET A (STD.) | £0.00 | 4 |
| 1 | PFKL286088 | 13020PCXA04 | PISTON SET B (STD.) | £545.06 | 4 |
| 1 | PFKL286977 | 13030PCXA03 | PISTON SET (OS 0.25) | £545.06 | 0 |
| 2 | PFKL284944 | 13011PCX024 | RING SET, PISTON (STD.) (RIKEN) | £90.81 | 4 |
| 2 | PFKL286375 | 13021PCX024 | RING SET, PISTON (OS 0.25) (RIKEN) | £92.72 | 0 |
| 3 | PFKL287923 | 13050PCXA00 | ROD SET, CONNECTING | £280.64 | 4 |
| 4 | PFKL288177 | 13060PCX000 | PISTON PIN SET | £16.22 | 4 |
| 5 | PFKL292246 | 13115PCX000 | CLIP, PISTON PIN, 1.6MM | £4.03 | 8 |
| 6 | PFKL293408 | 13204PCX003 | BOLT, CONNECTING ROD | £8.14 | 8 |
| 7 | PFKL294762 | 13217PCX013 | BEARING G, CONNECTING ROD (RED) (DAIDO) | £30.63 | 8 |
| 7 | PFKL294606 | 13216PCX013 | BEARING F, CONNECTING ROD (PINK) (DAIDO) | £30.63 | 8 |
| 7 | PFKL294429 | 13215PCX013 | BEARING E, CONNECTING ROD (YELLOW) (DAIDO) | £32.69 | 8 |
| 7 | PFKL294260 | 13214PCX013 | BEARING D, CONNECTING ROD (GREEN) (DAIDO) | £30.63 | 8 |
| 7 | PFKL294101 | 13213PCX013 | BEARING C, CONNECTING ROD (BROWN) (DAIDO) | £30.63 | 8 |
| 7 | PFKL293946 | 13212PCX013 | BEARING B, CONNECTING ROD (BLACK) (DAIDO) | £30.62 | 8 |
| 7 | PFKL293798 | 13211PCX013 | BEARING A, CONNECTING ROD (BLUE) (DAIDO) | £30.62 | 8 |
| 8 | PFKL2153664 | 13310PCX020 | CRANKSHAFT COMP. | £1,615.62 | 1 |
| 9 | PFKL297761 | 13326PCX013 | BEARING F, MAIN (PINK) (DAIDO) | £32.12 | 10 |
| 9 | PFKL297640 | 13325PCX013 | BEARING E, MAIN (YELLOW) (DAIDO) | £32.11 | 10 |
| 9 | PFKL297509 | 13324PCX013 | BEARING D, MAIN (GREEN) (DAIDO) | £32.11 | 10 |
| 9 | PFKL297388 | 13323PCX013 | BEARING C, MAIN (BROWN) (DAIDO) | £32.11 | 10 |
| 9 | PFKL297273 | 13322PCX013 | BEARING B, MAIN (BLACK) (DAIDO) | £32.11 | 10 |
| 9 | PFKL297094 | 13321PCX013 | BEARING A, MAIN (BLUE) (DAIDO) | £32.12 | 10 |
| 10 | PFKL297929 | 13331PCX003 | WASHER, THRUST (DAIDO) | £17.80 | 2 |
| 11 | PFKL299795 | 13620PCX004 | SPROCKET, DRIVE CHAIN | £109.76 | 1 |
| 12 | PFKL299876 | 13622PCX013 | PLATE, CRANK PULSER | £14.39 | 1 |

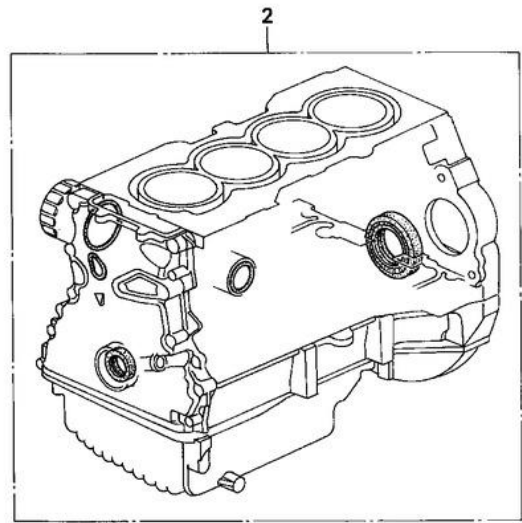
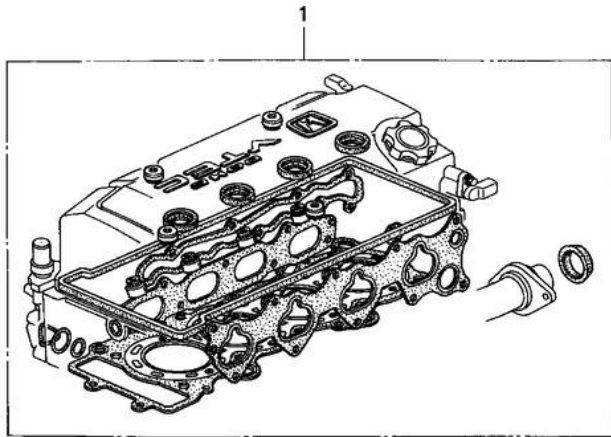
| | | | | | |
|----|-----------------------------|-------------|--------------------------|---------|---|
| 13 | PFKL300760 | 13810PCX003 | PULLEY COMP., CRANKSHAFT | £244.90 | 1 |
| 14 | PFKL976224 | 90017PCX013 | BOLT-WASHER, 16X49 | £18.04 | 1 |
| 15 | PFKL1000394 | 90704PT0000 | KEY, 4.5X38.5 | £9.53 | 1 |
| 16 | PFKL1021741 | 9430304065 | PIN C, DOWEL, 4X6.5 | £2.36 | 8 |

E-18 CLUTCH



S2A3 - E1800 A

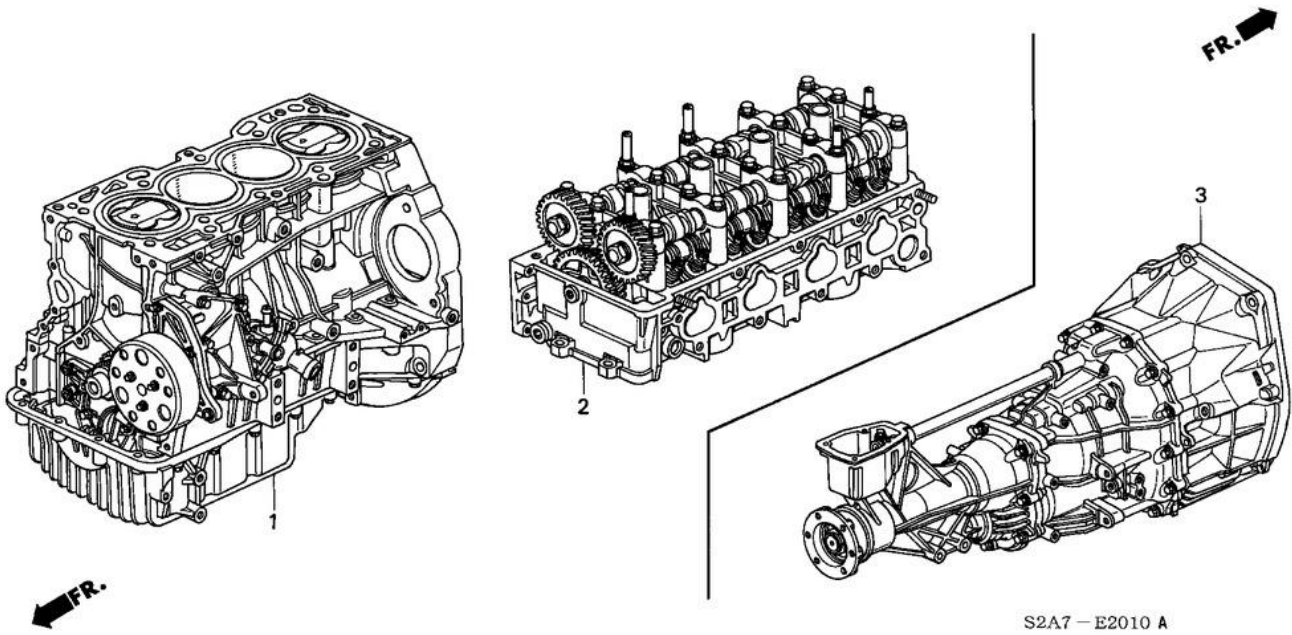
| Ref | Part No | Honda Part No | Description | Price (Each) | Req Qty |
|-----|-----------------------------|---------------|-------------------------------------|--------------|---------|
| 1 | PFKL413880 | 22100PCX005 | FLYWHEEL COMP. | £793.59 | 1 |
| 2 | PFKL415578 | 22200PCX055 | DISK COMP., FRICTION | £125.07 | 1 |
| 3 | PFKL416237 | 22300PCX015 | DISK COMP., PRESSURE | £322.05 | 1 |
| 4 | PFKL975456 | 90011PCXB01 | BOLT (12MM) | £9.45 | 8 |
| 5 | PFKL977445 | 90034689000 | BOLT, TWELVE POINT, 8MM (TOKAI TRW) | £8.46 | 9 |
| 6 | PFKL992241 | 90429PCX000 | WASHER, 38X88X2 | £12.03 | 1 |
| 7 | PFKL1002767 | 91006PCX008 | BEARING, CLUTCH PILOT | £27.22 | 1 |



S2A7 - E2000

| Ref | Part No | Honda Part No | Description | Price (Each) | Req Qty |
|-----|----------------------------|---------------|----------------------------|--------------|---------|
| 1 | PFKL224431 | 06110PCX020 | GASKET KIT, CYLINDER HEAD | £329.79 | 1 |
| 2 | PFKL225691 | 06111PCX020 | GASKET KIT, CYLINDER BLOCK | £57.77 | 1 |

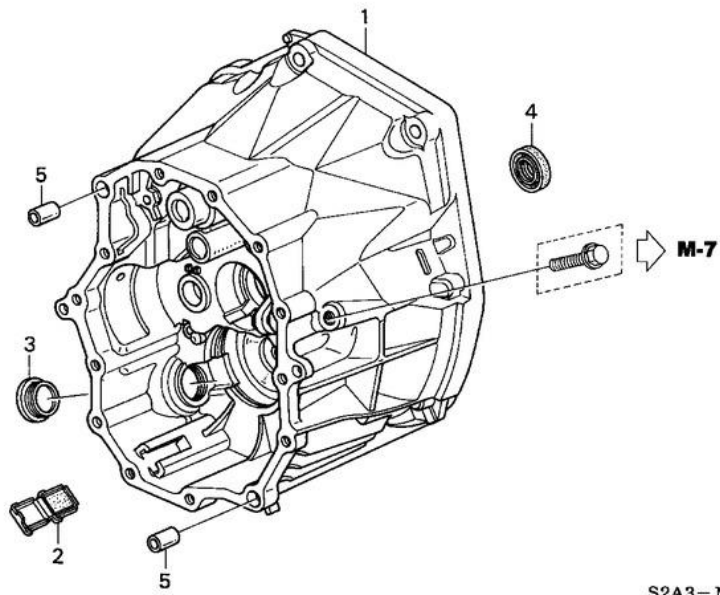
E-20-10 ENGINE ASSY./ TRANSMISSION ASSY.



| Ref | Part No | Honda Part No | Description | Price (Each) | Req Qty |
|-----|-----------------------------|---------------|--|--------------|---------|
| 1 | PFKL2158011 | 10002PCXE10 | ENGINE ASSY., BLOCK (WITHOUT WATER PUMP) | £6,179.62 | 1 |
| 2 | PFKL254902 | 10003PCXE05 | GENERAL ASSY., CYLINDER HEAD | £6,288.41 | 1 |
| 3 | PFKL409694 | 20011PCY040 | TRANSMISSION ASSY. (6-SPEED) | £6,948.74 | 1 |

M-1 CLUTCH CASE

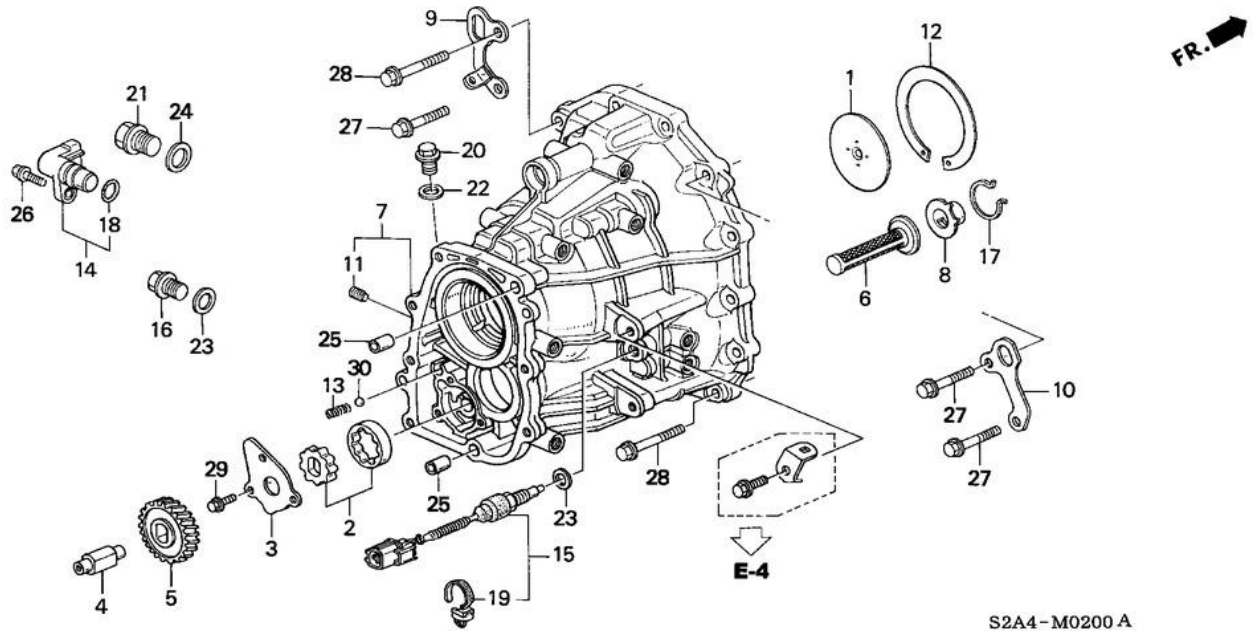
FR. →



S2A3-M0100A

| Ref | Part No | Honda Part No | Description | Price (Each) | Req Qty |
|-----|-----------------------------|---------------|-------------------------|--------------|---------|
| 1 | PFKL410461 | 21000PCY315 | CASE COMP., CLUTCH | £0.00 | 1 |
| 2 | PFKL411091 | 21120PG2003 | MAGNET, TRANSMISSION | £12.61 | 1 |
| 3 | PFKL978627 | 90083PJ3000 | BOLT, SEALING, 34MM | £11.67 | 1 |
| 4 | PFKL1007412 | 91216PG1005 | OIL SEAL, 28X43X7 (NOK) | £10.48 | 1 |
| 5 | PFKL1021720 | 9430114200 | DOWEL PIN, 14X20 | £2.88 | 2 |

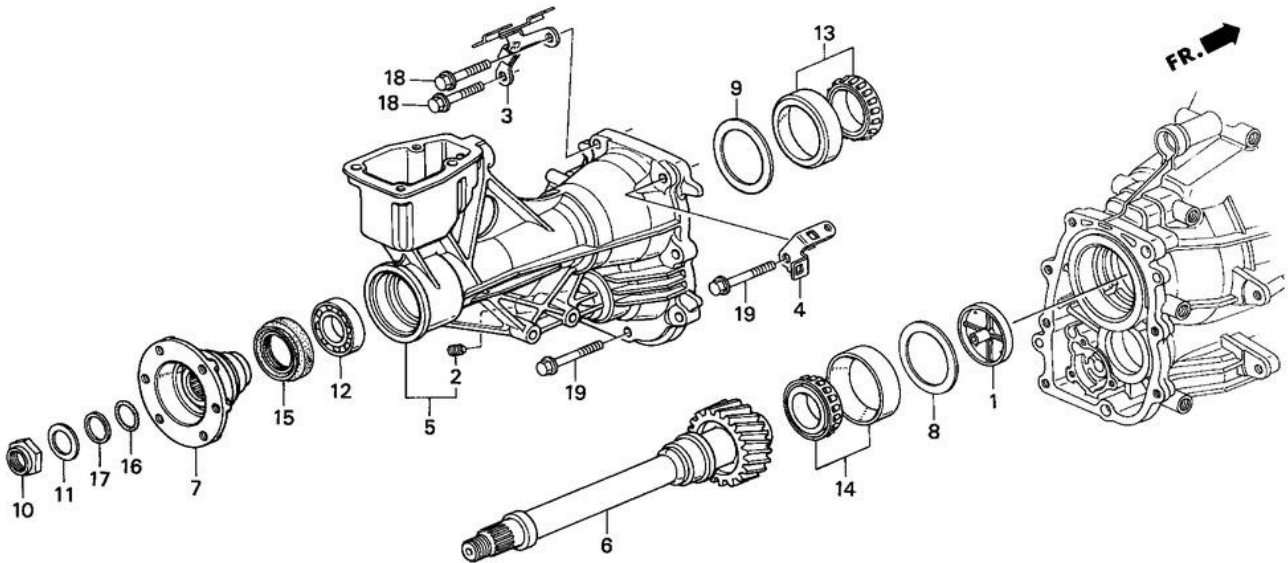
M-2 TRANSMISSION CASE



| Ref | Part No | Honda Part No | Description | Price (Each) | Req Qty |
|-----|----------------------------|---------------|------------------------------|--------------|---------|
| 1 | PFKL410818 | 21104PX5010 | PLATE M, OIL GUIDE | £7.88 | 1 |
| 2 | PFKL411150 | 21168PCY305 | ROTOR SET A, OIL PUMP (41) | £67.90 | 1 |
| 2 | PFKL411151 | 21169PCY305 | ROTOR SET B, OIL PUMP (41) | £67.90 | 1 |
| 2 | PFKL411152 | 21170PCY305 | ROTOR SET C, OIL PUMP (41) | £67.90 | 1 |
| 3 | PFKL411157 | 21173PCY000 | PLATE, OIL PUMP | £0.00 | 1 |
| 4 | PFKL411167 | 21174PCY000 | SHAFT, OIL PUMP | £0.00 | 1 |
| 5 | PFKL411168 | 21175PCY000 | GEAR, OIL PUMP | £44.37 | 1 |
| 6 | PFKL411183 | 21180PR8016 | STRAINER COMP., OIL PUMP | £39.84 | 1 |
| 7 | PFKL411257 | 21200PCY000 | CASE COMP., TRANSMISSION | £800.26 | 1 |
| 8 | PFKL411628 | 21213PCY000 | GUIDE, SUCTION | £0.00 | 1 |
| 9 | PFKL411673 | 21220PCY000 | HANGER COMP. A, TRANSMISSION | £11.75 | 1 |
| 10 | PFKL411741 | 21225PCY000 | HANGER, TRANSMISSION | £0.00 | 1 |
| 11 | PFKL411970 | 21245PX4003 | SCREW, SEALING | £7.85 | 1 |
| 12 | PFKL434581 | 23943PR8F00 | SHIM M, 82MM (0.96MM) | £0.00 | 1 |
| 12 | PFKL434607 | 23944PR8F00 | SHIM N, 82MM (0.99MM) | £0.00 | 1 |
| 12 | PFKL434625 | 23945PR8F00 | SHIM O, 82MM (1.02MM) | £0.00 | 1 |
| 12 | PFKL434644 | 23946PR8F00 | SHIM P, 82MM (1.05MM) | £0.00 | 1 |
| 12 | PFKL434660 | 23947PR8F00 | SHIM Q, 82MM (1.08MM) | £31.63 | 1 |
| 12 | PFKL434677 | 23948PR8F00 | SHIM R, 82MM (1.11MM) | £0.00 | 1 |
| 12 | PFKL434691 | 23949PR8F00 | SHIM S, 82MM (1.14MM) | £0.00 | 1 |
| 12 | PFKL434706 | 23950PR8F00 | SHIM T, 82MM (1.17MM) | £0.00 | 1 |
| 12 | PFKL434723 | 23951PR8F00 | SHIM U, 82MM (1.20MM) | £31.63 | 1 |
| 12 | PFKL434559 | 23942PR8F00 | SHIM L, 82MM (0.93MM) | £0.00 | 1 |
| 12 | PFKL434530 | 23941PR8F00 | SHIM K, 82MM (0.90MM) | £0.00 | 1 |
| 12 | PFKL434506 | 23940PR8F00 | SHIM J, 82MM (0.87MM) | £0.00 | 1 |
| 12 | PFKL434310 | 23931PR8F00 | SHIM A, 82MM (0.60MM) | £31.63 | 1 |
| 12 | PFKL434344 | 23932PR8F00 | SHIM B, 82MM (0.63MM) | £0.00 | 1 |

| | | | | | |
|----|-----------------------------|--------------|--|---------|----|
| 12 | PFKL434365 | 23933PR8F00 | SHIM C, 82MM (0.66MM) | £0.00 | 1 |
| 12 | PFKL434391 | 23934PR8F00 | SHIM D, 82MM (0.69MM) | £0.00 | 1 |
| 12 | PFKL434412 | 23935PR8F00 | SHIM E, 82MM (0.72MM) | £0.00 | 1 |
| 12 | PFKL434433 | 23936PR8F00 | SHIM F, 82MM (0.75MM) | £0.00 | 1 |
| 12 | PFKL434450 | 23937PR8F00 | SHIM G, 82MM (0.78MM) | £0.00 | 1 |
| 12 | PFKL434468 | 23938PR8F00 | SHIM H, 82MM (0.81MM) | £0.00 | 1 |
| 12 | PFKL434487 | 23939PR8F00 | SHIM I, 82MM (0.84MM) | £31.63 | 1 |
| 13 | PFKL438864 | 24457PR8000 | SPRING, RELIEF VALVE | £6.68 | 1 |
| 14 | PFKL450285 | 28810PCJ014 | PICK UP ASSY. (MATSUSHITA) | £131.76 | 1 |
| 15 | PFKL533600 | 35600PCY003 | SWITCH ASSY., BACK LIGHT | £27.51 | 1 |
| 16 | PFKL978487 | 90081PB6000 | BOLT, PLUG, 14MM | £11.49 | 1 |
| 17 | PFKL997055 | 90604PCY000 | CIRCLIP, 34.2 | £4.97 | 1 |
| 18 | PFKL1009936 | 91309PX4003 | O-RING, 16X2.1 (NOK) | £4.39 | 1 |
| 19 | PFKL1013182 | 91558PFD003 | CLIP, HARNESS BAND (GRAY) (135MM) (7MM HOLE) | £4.46 | 1 |
| 20 | PFKL1016785 | 9280012000 | BOLT, DRAIN PLUG, 12MM | £3.60 | 1 |
| 21 | PFKL1016788 | 9280020000 | BOLT, DRAIN PLUG, 20MM | £5.04 | 1 |
| 22 | PFKL1021514 | 9410912000 | WASHER, DRAIN PLUG, 12MM | £1.49 | 1 |
| 23 | PFKL1021515 | 9410914000 | WASHER, DRAIN PLUG, 14MM | £1.49 | 2 |
| 24 | PFKL1021517 | 9410920000 | WASHER, DRAIN PLUG, 20MM | £1.49 | 1 |
| 25 | PFKL1021720 | 9430114200 | DOWEL PIN, 14X20 | £2.88 | 2 |
| 26 | PFKL1028286 | 957010601808 | BOLT, FLANGE, 6X18 | £1.87 | 1 |
| 27 | PFKL1028514 | 957010804008 | BOLT, FLANGE, 8X40 | £2.09 | 12 |
| 28 | PFKL1028529 | 957010805008 | BOLT, FLANGE, 8X50 | £2.30 | 2 |
| 29 | PFKL1029668 | 960010601600 | BOLT, FLANGE, 6X16 | £2.14 | 3 |
| 30 | PFKL1030027 | 9621110000 | BALL, STEEL, #10 (5/16) | £0.89 | 1 |

M-2-10 SECONDARY SHAFT

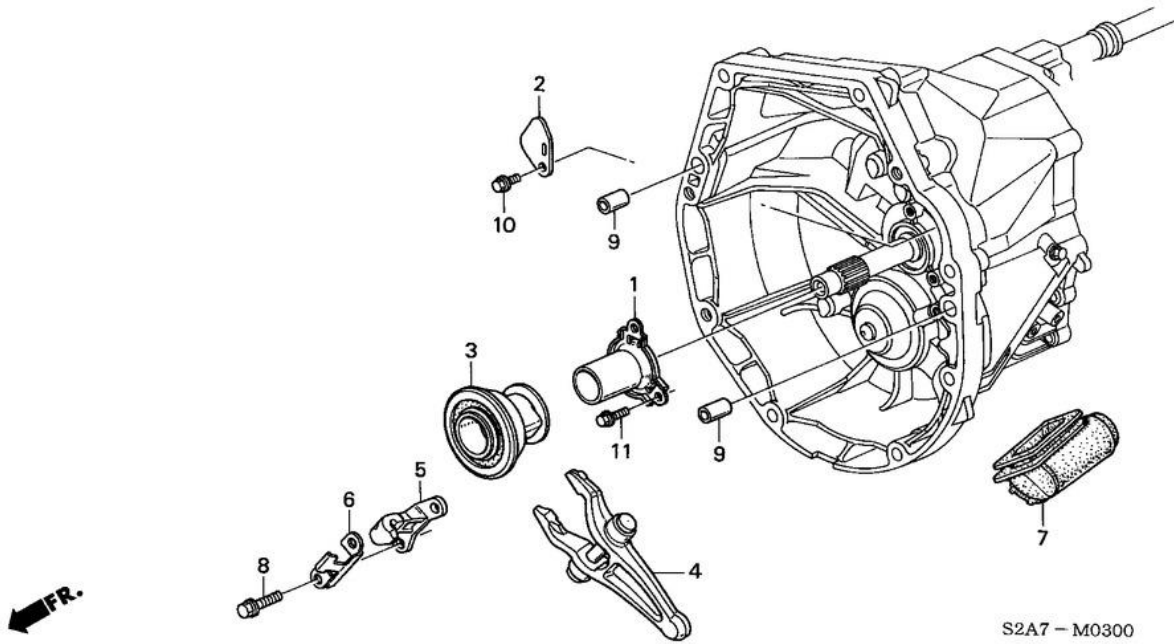


S2A7 - M0210

| Ref | Part No | Honda Part No | Description | Price (Each) | Req Qty |
|-----|----------------------------|---------------|--------------------------|--------------|---------|
| 1 | PFKL410824 | 21105PCY000 | PLATE, OIL GUIDE SETTING | £8.50 | 1 |
| 2 | PFKL411970 | 21245PX4003 | SCREW, SEALING | £7.85 | 1 |
| 3 | PFKL412532 | 21390PCY010 | STAY COMP., HARNESS | £9.00 | 1 |
| 4 | PFKL412673 | 21398PCY000 | CLAMP, HARNESS | £6.05 | 1 |
| 5 | PFKL412752 | 21500PCY010 | COVER COMP., RR. | £335.07 | 1 |
| 6 | PFKL425588 | 23230PCY020 | SHAFT COMP., SECONDARY | £187.25 | 1 |
| 7 | PFKL573370 | 40441PCY010 | FLANGE, COMPANION | £0.00 | 1 |
| 8 | PFKL579498 | 41392PCY000 | SHIM L, 68MM (1.23) | £10.39 | 1 |
| 8 | PFKL579505 | 41393PCY000 | SHIM M, 68MM (1.26) | £10.39 | 1 |
| 8 | PFKL579511 | 41394PCY000 | SHIM N, 68MM (1.29) | £0.00 | 1 |
| 8 | PFKL579517 | 41395PCY000 | SHIM O, 68MM (1.32) | £0.00 | 1 |
| 8 | PFKL579523 | 41396PCY000 | SHIM P, 68MM (1.35) | £0.00 | 1 |
| 8 | PFKL579529 | 41397PCY000 | SHIM Q, 68MM (1.38) | £10.39 | 1 |
| 8 | PFKL579535 | 41398PCY000 | SHIM R, 68MM (1.41) | £0.00 | 1 |
| 8 | PFKL579540 | 41399PCY000 | SHIM S, 68MM (1.44) | £10.39 | 1 |
| 8 | PFKL579576 | 41400PCY000 | SHIM T, 68MM (1.47) | £10.39 | 1 |
| 8 | PFKL579491 | 41391PCY000 | SHIM K, 68MM (1.20) | £0.00 | 1 |
| 8 | PFKL579482 | 41390PCY000 | SHIM J, 68MM (1.17) | £10.39 | 1 |
| 8 | PFKL579474 | 41389PCY000 | SHIM I, 68MM (1.14) | £10.39 | 1 |
| 8 | PFKL579394 | 41382PCY000 | SHIM B, 68MM (0.93) | £0.00 | 1 |
| 8 | PFKL579413 | 41383PCY000 | SHIM C, 68MM (0.96) | £10.39 | 1 |
| 8 | PFKL579424 | 41384PCY000 | SHIM D, 68MM (0.99) | £11.07 | 1 |
| 8 | PFKL579374 | 41381PCY000 | SHIM A, 68MM (0.90) | £10.39 | 1 |
| 8 | PFKL579435 | 41385PCY000 | SHIM E, 68MM (1.02) | £10.39 | 1 |
| 8 | PFKL579446 | 41386PCY000 | SHIM F, 68MM (1.05) | £10.39 | 1 |
| 8 | PFKL579456 | 41387PCY000 | SHIM G, 68MM (1.08) | £10.39 | 1 |
| 8 | PFKL579466 | 41388PCY000 | SHIM H, 68MM (1.11) | £0.00 | 1 |

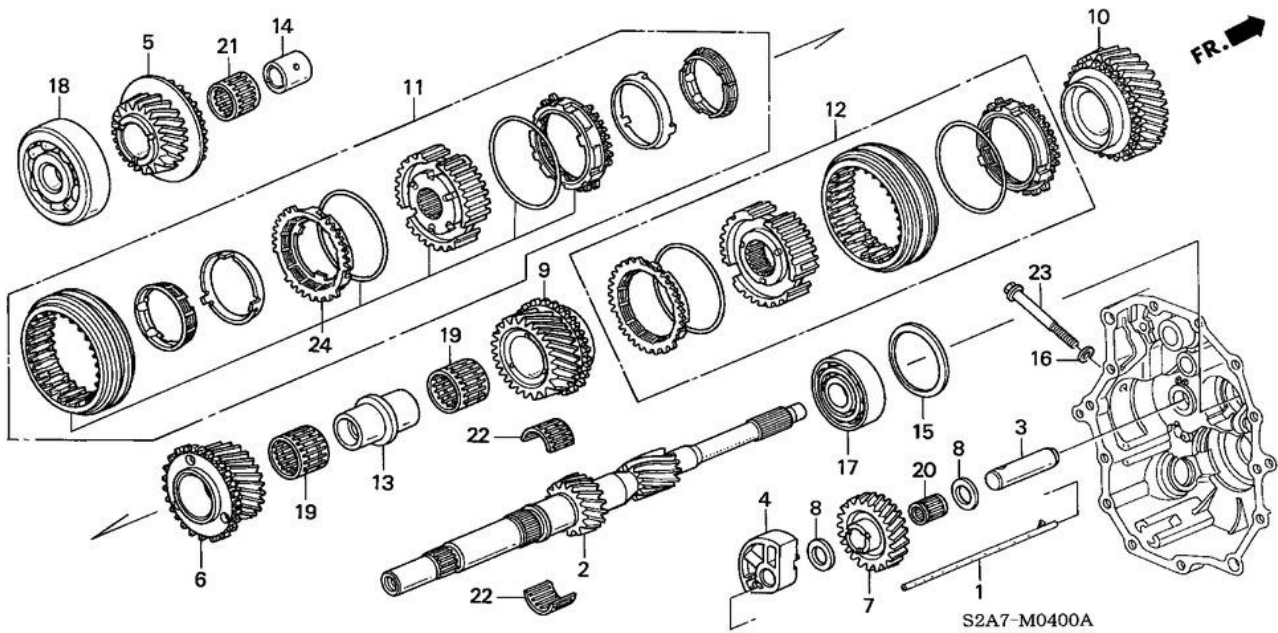
| | | | | | |
|----|-----------------------------|--------------|--------------------------|--------|---|
| 9 | PFKL579424 | 41384PCY000 | SHIM D, 68MM (0.99) | £11.07 | 1 |
| 10 | PFKL988472 | 90203PCY000 | NUT, HEX., 27MM | £7.88 | 1 |
| 11 | PFKL991338 | 90402PL9000 | WASHER, SPRING, 27MM | £7.96 | 1 |
| 12 | PFKL1002602 | 91005PCY003 | BEARING, BALL, 31X55X13 | £27.23 | 1 |
| 13 | PFKL1005461 | 91123PCY004 | BEARING, TAPER, 41X68X20 | £54.40 | 1 |
| 14 | PFKL1005472 | 91124PCY004 | BEARING, TAPER, 35X68X19 | £54.40 | 1 |
| 15 | PFKL1005681 | 91201PCY003 | OIL SEAL, 40X60X9 | £17.31 | 1 |
| 16 | PFKL1008837 | 91301PCY003 | O-RING, 28X2.6 | £8.17 | 1 |
| 17 | PFKL1009116 | 91302PCY003 | RING, BACK UP, 28MM | £7.92 | 1 |
| 18 | PFKL1028514 | 957010804008 | BOLT, FLANGE, 8X40 | £2.09 | 6 |
| 19 | PFKL1028529 | 957010805008 | BOLT, FLANGE, 8X50 | £2.30 | 2 |

M-3 CLUTCH RELEASE



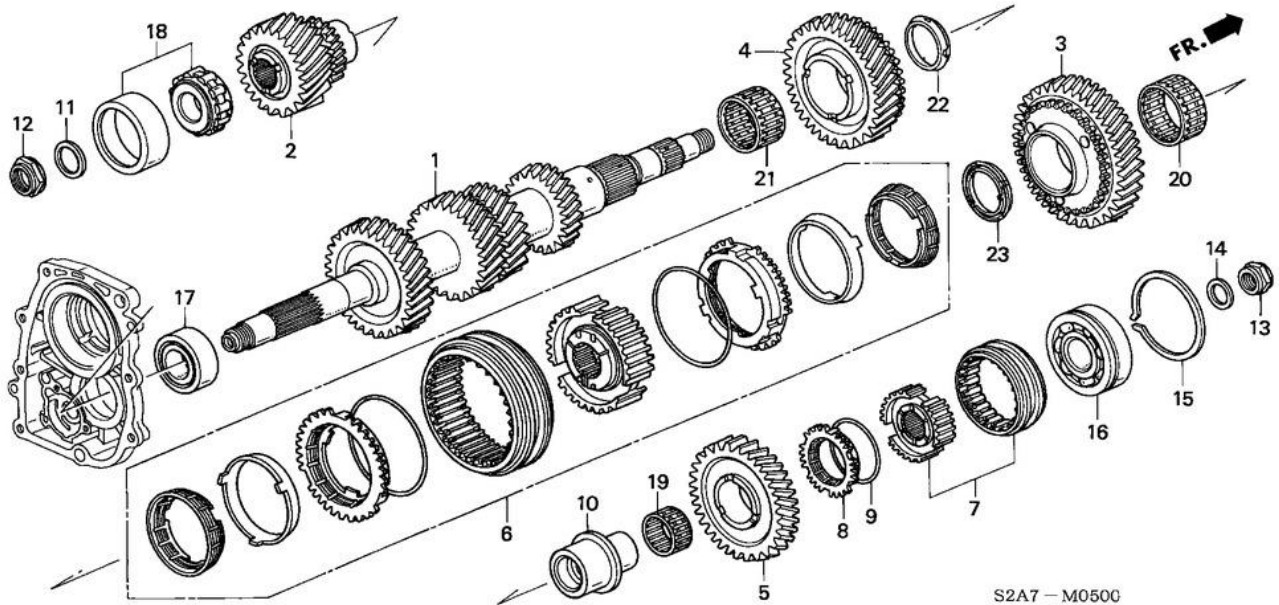
| Ref | Part No | Honda Part No | Description | Price (Each) | Req Qty |
|-----|-----------------------------|---------------|----------------------------|--------------|---------|
| 1 | PFKL410775 | 21103PCY003 | GUIDE, RELEASE BEARING | £82.96 | 1 |
| 2 | PFKL412675 | 21399PCY000 | PLATE, BREATHER | £3.38 | 1 |
| 3 | PFKL420415 | 22810PCY003 | BEARING, CLUTCH RELEASE | £178.48 | 1 |
| 4 | PFKL420697 | 22820PCY000 | FORK COMP., CLUTCH RELEASE | £120.76 | 1 |
| 5 | PFKL420860 | 22825PCY000 | HANGER, CLUTCH RELEASE | £46.30 | 1 |
| 6 | PFKL420974 | 22835PCY000 | SPRING, RELEASE HANGER | £6.98 | 1 |
| 7 | PFKL421078 | 22841PR8010 | BOOT, RELEASE FORK | £51.87 | 1 |
| 8 | PFKL977123 | 90031PR8000 | BOLT, SPECIAL FLANGE, 8X22 | £8.66 | 2 |
| 9 | PFKL1021720 | 9430114200 | DOWEL PIN, 14X20 | £2.88 | 2 |
| 10 | PFKL1028254 | 957010601208 | BOLT, FLANGE, 6X12 | £1.87 | 1 |
| 11 | PFKL1028277 | 957010601608 | BOLT, FLANGE, 6X16 | £1.87 | 3 |

M-4 MAINSHAFT



| Ref | Part No | Honda Part No | Description | Price (Each) | Req Qty |
|-----|-----------------------------|---------------|--------------------------------|--------------|---------|
| 1 | PFKL411173 | 21177PCY000 | PIPE, OIL GUIDE | £0.00 | 1 |
| 2 | PFKL424127 | 23210PCY010 | MAINSHAFT COMP. | £599.32 | 1 |
| 3 | PFKL425853 | 23261PCY000 | SHAFT, REVERSE IDLE GEAR | £0.00 | 1 |
| 4 | PFKL425891 | 23262PCY000 | HOLDER, REVERSE SHAFT | £22.12 | 1 |
| 5 | PFKL427959 | 23440PCY010 | GEAR COMP., MAINSHAFT THIRD | £324.38 | 1 |
| 6 | PFKL428929 | 23451PCY010 | GEAR, MAINSHAFT FOURTH | £194.98 | 1 |
| 7 | PFKL432407 | 23541PCY000 | GEAR, REVERSE IDLE | £110.69 | 1 |
| 8 | PFKL432455 | 23546PCY000 | WASHER, THRUST, 20X33X2 | £0.00 | 2 |
| 9 | PFKL432557 | 23581PCY010 | GEAR, MAINSHAFT FIFTH | £200.99 | 1 |
| 10 | PFKL432661 | 23591PCY010 | GEAR, MAINSHAFT SIXTH | £214.46 | 1 |
| 12 | PFKL432799 | 23626PCY316 | SLEEVE SET, SYNCHRONIZER (5-6) | £357.93 | 1 |
| 13 | PFKL434144 | 23917PCY000 | COLLAR, DISTANCE, 35X42X69 | £53.96 | 1 |
| 14 | PFKL434168 | 23919PCY000 | COLLAR, DISTANCE, 28X35X35.2 | £0.00 | 1 |
| 15 | PFKL434277 | 23927PYZ000 | WASHER, SPRING, 64MM | £8.01 | 1 |
| 16 | PFKL993783 | 90471580000 | PACKING, 8MM | £2.02 | 1 |
| 17 | PFKL1001932 | 91002PCY003 | BEARING, BALL, 28X64X18 | £47.62 | 1 |
| 18 | PFKL1002143 | 91003PCY003 | BEARING, BALL, 28X82X22 | £94.26 | 1 |
| 19 | PFKL1005246 | 91105PCY003 | BEARING, NEEDLE, 42X47X30.5 | £20.42 | 2 |
| 20 | PFKL1005318 | 91106PY5008 | BEARING, NEEDLE, 20X25X26.5 | £17.25 | 1 |
| 21 | PFKL1005335 | 91107PCY013 | BEARING, NEEDLE, 35X40X35 | £19.16 | 1 |
| 22 | PFKL1005374 | 91109PCY003 | BEARING, NEEDLE, 39X44X26 | £15.91 | 2 |
| 23 | PFKL1029184 | 958010806508 | BOLT, FLANGE, 8X65 | £2.09 | 1 |
| 24 | PFKL432721 | 23623PCY316 | SLEEVE SET, SYNCHRONIZER (3-4) | £568.89 | 1 |

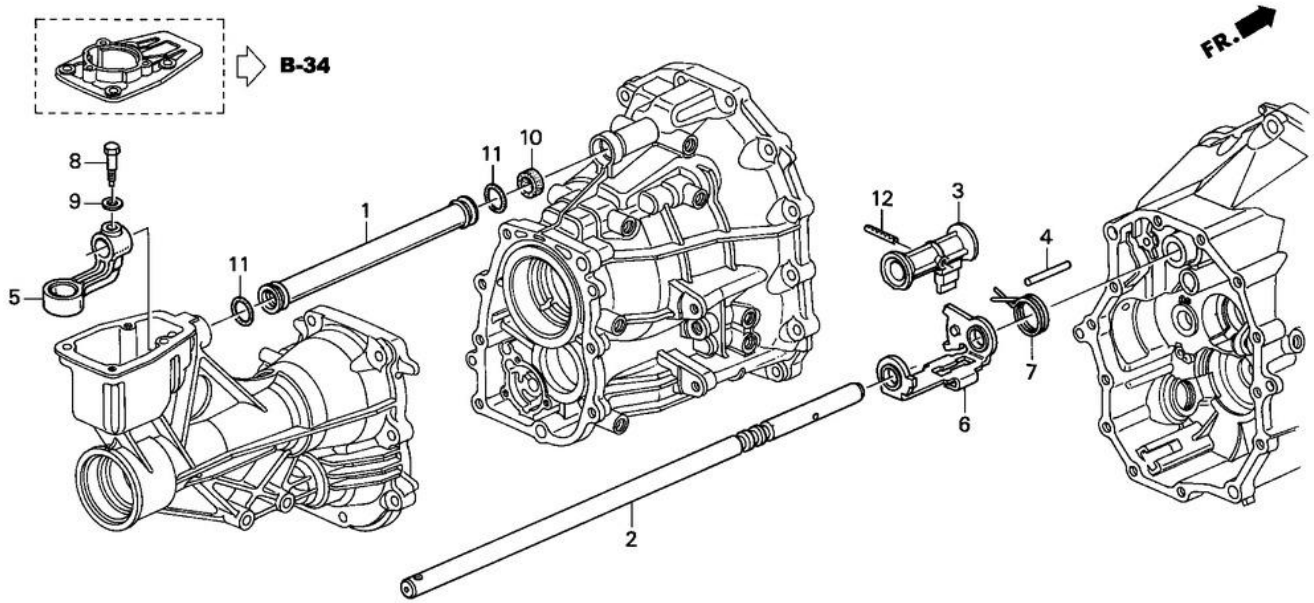
M-5 COUNTERSHAFT



S2A7 - M0500

| Ref | Part No | Honda Part No | Description | Price (Each) | Req Qty |
|-----|-----------------------------|---------------|---------------------------------|--------------|---------|
| 1 | PFKL425308 | 23221PCY010 | COUNTERSHAFT | £0.00 | 1 |
| 2 | PFKL425779 | 23241PCY000 | GEAR, SECONDARY DRIVE | £233.89 | 1 |
| 3 | PFKL426869 | 23421PCY010 | GEAR, COUNTERSHAFT LOW | £233.95 | 1 |
| 4 | PFKL427582 | 23431PCY020 | GEAR, COUNTERSHAFT SECOND | £194.98 | 1 |
| 5 | PFKL432165 | 23521PCY000 | GEAR, COUNTERSHAFT REVERSE | £0.00 | 1 |
| 6 | PFKL432692 | 23618PCY326 | SLEEVE SET, SYNCHRONIZER (1-2) | £611.29 | 1 |
| 7 | PFKL432869 | 23627PCY000 | SLEEVE SET, REVERSE HUB | £147.45 | 1 |
| 8 | PFKL432949 | 23643PG1912 | RING, BLOCKING, 50S | £95.70 | 1 |
| 9 | PFKL432994 | 23652PB6000 | SPRING, SYNCHRONIZER (50MM) | £8.17 | 1 |
| 10 | PFKL434156 | 23918PCY000 | COLLAR, DISTANCE, 31X40X38X51X5 | £0.00 | 1 |
| 11 | PFKL434222 | 23925PCY000 | WASHER, SPRING, 29MM | £7.22 | 1 |
| 12 | PFKL988393 | 90202PCY000 | NUT, 29MM | £7.88 | 1 |
| 13 | PFKL988472 | 90203PCY000 | NUT, HEX., 27MM | £7.88 | 1 |
| 14 | PFKL991338 | 90402PL9000 | WASHER, SPRING, 27MM | £7.96 | 1 |
| 15 | PFKL997258 | 90609PC8000 | RING, SNAP, 68MM | £7.24 | 1 |
| 16 | PFKL1002376 | 91004PCY005 | BEARING, BALL, 28X68X18 | £40.78 | 1 |
| 17 | PFKL1004986 | 91102PCY003 | BEARING, NEEDLE, 34X56X20 | £61.20 | 1 |
| 18 | PFKL1005183 | 91104PCY003 | BEARING, NEEDLE, 30X64X20 | £67.37 | 1 |
| 19 | PFKL1005209 | 91104P21008 | BEARING, NEEDLE, 38X43X26 (NTN) | £29.14 | 1 |
| 20 | PFKL1005386 | 91110PCY003 | BEARING, NEEDLE, 51X57X23 | £19.13 | 1 |
| 21 | PFKL1005390 | 91111PCY003 | BEARING, NEEDLE, 44X50X28 | £19.13 | 1 |
| 22 | PFKL1007126 | 91211PH8T01 | DAMPER, FRICTION (LOW) (KOYO) | £17.95 | 1 |

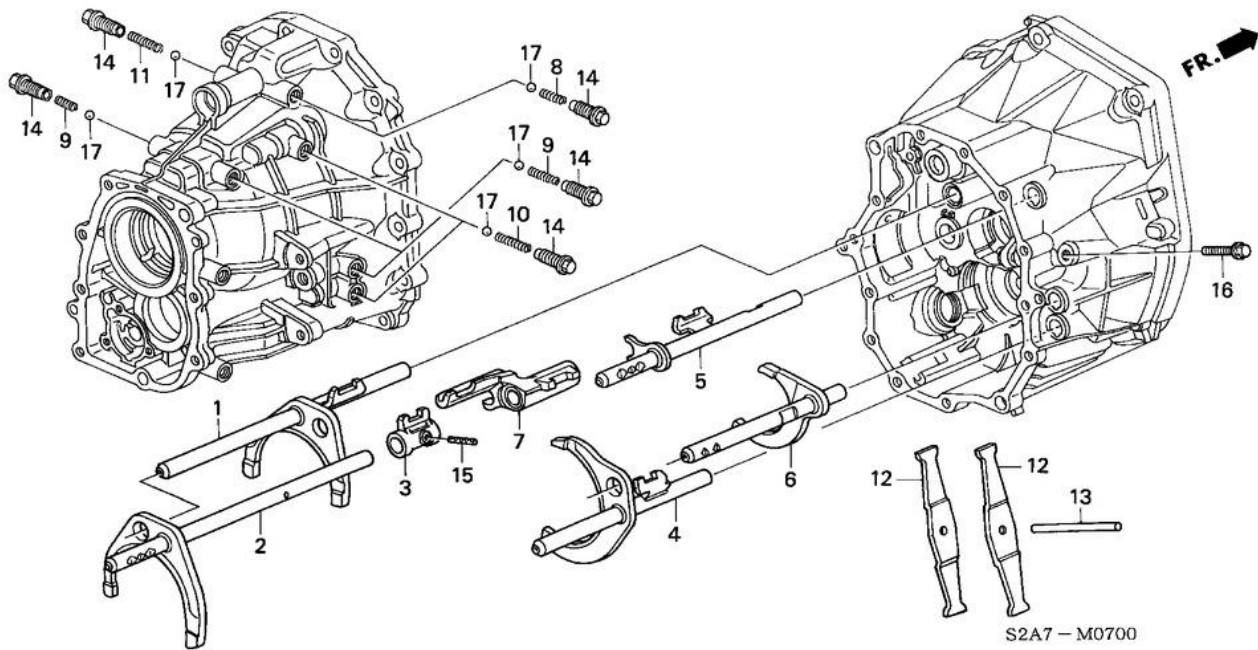
M-6 SHIFT ARM



S2A3- M0600A

| Ref | Part No | Honda Part No | Description | Price (Each) | Req Qty |
|-----|-----------------------------|---------------|-----------------------------|--------------|---------|
| 1 | PFKL412958 | 21601PCY000 | PIPE, SHIFT ROD | £28.99 | 1 |
| 2 | PFKL437283 | 24311PCY000 | ROD, SHIFT | £94.29 | 1 |
| 3 | PFKL437956 | 24411PCY000 | ARM A, SHIFT | £74.97 | 1 |
| 4 | PFKL438081 | 24413PCY003 | PIN, 8X40 | £3.11 | 1 |
| 5 | PFKL438147 | 24421PCY000 | ARM B, SHIFT | £58.27 | 1 |
| 6 | PFKL438281 | 24430PCY000 | INTERLOCK COMP. | £74.97 | 1 |
| 7 | PFKL438868 | 24458PCY000 | SPRING, SELECT RETURN | £7.96 | 1 |
| 8 | PFKL977012 | 90029PL3010 | BOLT, SPECIAL, 8MM | £5.42 | 1 |
| 9 | PFKL991869 | 90412679000 | WASHER, CONICAL SPRING, 8MM | £2.70 | 1 |
| 10 | PFKL1007067 | 91209PCY003 | OIL SEAL, 16X26X6.5X7.1 | £9.88 | 1 |
| 11 | PFKL1010064 | 91312P13000 | O-RING, 22.2X3.2 | £6.17 | 2 |
| 12 | PFKL1021864 | 9430550252 | PIN, SPRING, 5X25 | £2.34 | 1 |

M-7 SHIFT FORK



| Ref | Part No | Honda Part No | Description | Price (Each) | Req Qty |
|-----|-----------------------------|---------------|-------------------------------|--------------|---------|
| 1 | PFKL435431 | 24200PCY000 | FORK COMP., FIFTH-SIXTH SHIFT | £144.60 | 1 |
| 2 | PFKL435503 | 24210PCY000 | FORK COMP., GEARSHIFT (3-4) | £108.49 | 1 |
| 3 | PFKL436050 | 24214PCY000 | PIECE, THIRD-FOURTH SHIFT | £56.77 | 1 |
| 4 | PFKL436067 | 24220PCY000 | FORK COMP., GEARSHIFT (1-2) | £144.60 | 1 |
| 5 | PFKL436257 | 24226PCY000 | PIECE COMP., SHIFT (1-2) | £0.00 | 1 |
| 6 | PFKL436265 | 24230PCY000 | FORK COMP., REVERSE SHIFT | £0.00 | 1 |
| 7 | PFKL436396 | 24234PCY000 | PIECE COMP., REVERSE SHIFT | £0.00 | 1 |
| 8 | PFKL438833 | 24454PCY000 | SPRING, SELECT | £5.51 | 1 |
| 9 | PFKL438844 | 24455PCY000 | SPRING A, FORK SET BALL | £5.51 | 3 |
| 10 | PFKL438853 | 24456PCY000 | SPRING B, FORK SET BALL | £4.37 | 2 |
| 11 | PFKL438862 | 24457PCY000 | SPRING, SHIFT | £5.51 | 1 |
| 12 | PFKL439053 | 24491PCY000 | LEVER, SHIFT (1-2) | £0.00 | 2 |
| 13 | PFKL439056 | 24494PCY003 | PIN, 8X63 | £0.00 | 1 |
| 14 | PFKL439081 | 24519PB6000 | SCREW, BALL SPRING SETTING | £7.08 | 7 |
| 15 | PFKL1021862 | 9430550222 | PIN, SPRING, 5X22 | £2.34 | 1 |
| 16 | PFKL1028625 | 957011003008 | BOLT, FLANGE, 10X30 | £2.30 | 1 |
| 17 | PFKL1030027 | 9621110000 | BALL, STEEL, #10 (5/16) | £0.89 | 7 |