

Honda S2000

2006+

Parts Catalog

January 2019

Compiled January 2019, using Lings Honda Parts - <http://www.lingshondaparts.com/>

Prices were correct when compiled, always check for current prices and availability.

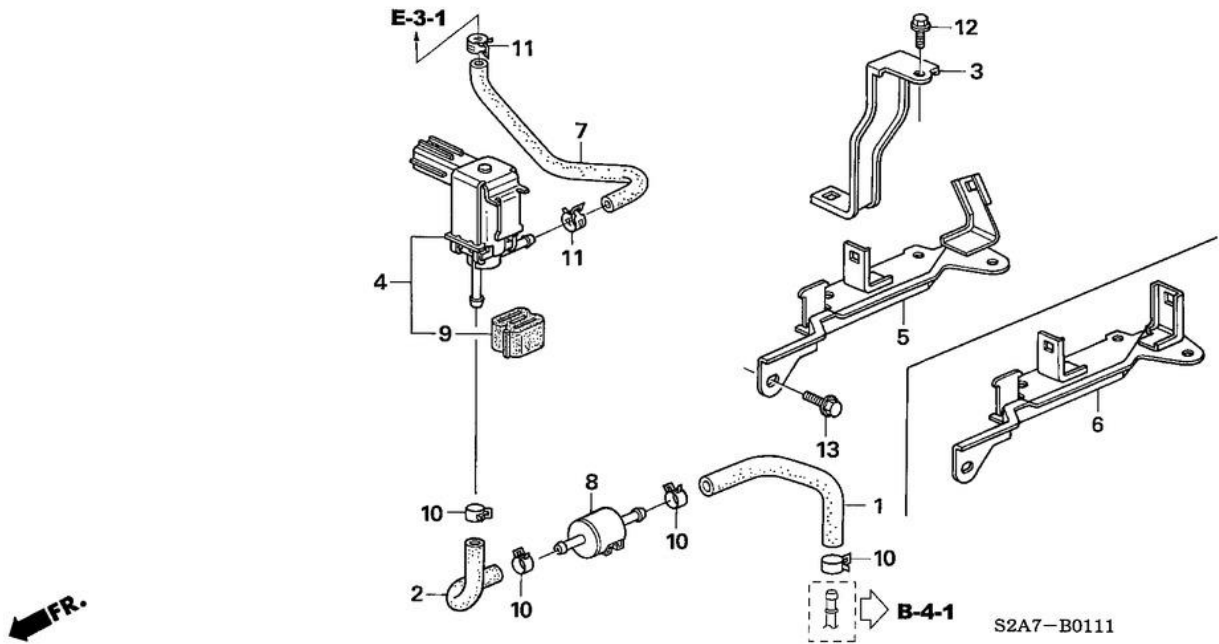
Contents

B-1-1	PURGE CONTROL SOLENOID VALVE ('06-)	1
B-1-2	VACUUM TANK	6
B-1-3	AIR PUMP	7
B-2	EXHAUST PIPE/SILENCER	8
B-3-1	FUEL TANK ('06-)	9
B-4-1	FUEL PIPE ('06-)	11
B-5	RADIATOR (DENSO)	13
B-5-10	RADIATOR HOSE	14
B-1	AIR CLEANER	15
B-6-1	BATTERY (RH)	16
B-7-1	WIRE HARNESS (RH)	17
B-7-10	HARNESS BAND/BRACKET	18
B-8-1	HEADLIGHT ('04-)	20
B-9-1	TAILLIGHT ('04-)	21
B-10	INTERIOR LIGHT	22
B-11	COMBINATION SWITCH	23
B-11-11	SWITCH (RH)	24
B-12-11	METER COMPONENTS (NS) ('04-)	25
B-13-1	CONTROL UNIT(ENGINE ROOM) (RH)	26
B-13-11	CONTROL UNIT (CABIN) (RH)	28
B-13-43	SRS UNIT (RH)('06-)	30
B-14-1	FRONT WINDSHIELD WIPER (RH)	31
B-15	WINDSHIELD WASHER	32
B-16	RADIO ANTENNA/SPEAKER	35
B-16-10	AUTO RADIO	36
B-17-1	HEATER CONTROL (RH)	37
B-17-11	HEATER BLOWER (RH)	38
B-17-21	HEATER UNIT (RH)	40
B-17-31	WATER VALVE (RH)	41
B-18	TIRE/WHEEL DISKS	42
B-19-10	REAR BRAKE	44
B-20	PROPELLER SHAFT	46
B-20-10	REAR DIFFERENTIAL	47
B-20-20	REAR DIFFERENTIAL MOUNT	49
B-20-30	REAR DRIVESHAFT	50
B-22	FRONT BRAKE	51
B-23-1	PEDAL (RH)	53
B-23-10	ACCELERATOR SENSOR	55
B-23-23	CLUTCH MASTER CYLINDER (RH) ('04-)	56

B-24	BRAKE MASTER CYLINDER/ MASTER POWER	58
B-24-13	ABS MODULATOR (RH) ('04-).....	59
B-25-13	BRAKE LINES (ABS) (RH) ('04-)	60
B-26	PARKING BRAKE.....	61
B-27	FRONT KNUCKLE.....	62
B-28	FRONT SHOCK ABSORBER.....	64
B-29	REAR STABILIZER/ REAR LOWER ARM	65
B-30	REAR SHOCK ABSORBER	67
B-31-10	STEERING WHEEL (SRS).....	68
B-32	STEERING COLUMN	69
B-33-11	P.S. GEAR BOX (RH).....	70
B-34	SHIFT LEVER	71
B-36	FLOOR MAT	72
B-36-10	GROMMET	74
B-37-1	INSTRUMENT PANEL (RH).....	75
B-37-11	INSTRUMENT PANEL GARNISH (RH)	77
B-37-21	DUCT (RH).....	78
B-37-41	CONSOLE ('04-)	79
B-38-10	SOFT TOP FRAME.....	81
B-38-21	SOFT TOP CLOTH ('02-)	84
B-39	PILLAR GARNISH	85
B-39-10	DOOR LINING.....	87
B-39-31	ROLL BAR GARNISH ('06-)	89
B-39-40	TRUNK LINING	90
B-39-50	REAR TRAY	91
B-40	SEAT	92
B-40-10	SEAT COMPONENTS (L.)	94
B-40-20	SEAT COMPONENTS (R.).....	95
B-41-20	SEATBELTS	96
B-42	EMBLEMS/CAUTION LABELS.....	97
B-42-10	MOLDING/PROTECTOR.....	98
B-43	MIRROR	100
B-44	TOOLS/JACK.....	102
B-46	BUMPERS.....	103
B-47	ENGINE MOUNTS.....	106
B-48	CROSS BEAM.....	107
B-49	FRONT BULKHEAD/DASHBOARD	108
B-49-10	FLOOR/INNER PANELS	110
B-49-20	OUTER PANELS/REAR PANEL.....	112
B-50	FRONT FENDERS	114

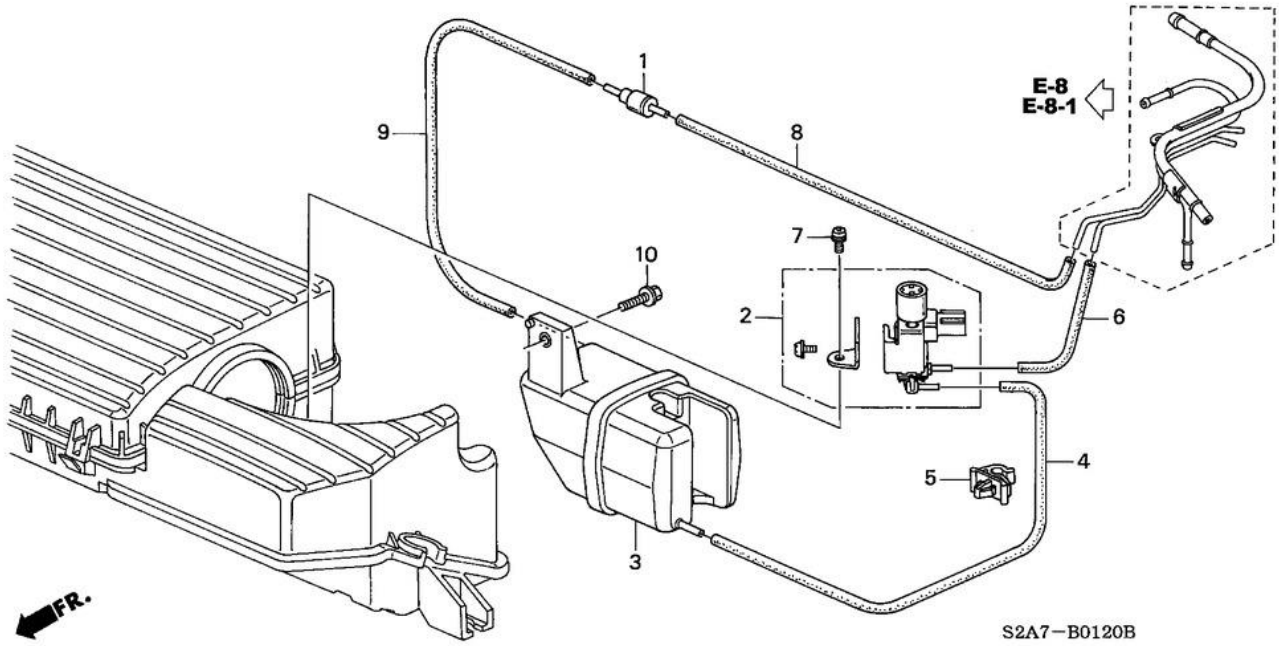
B-51-1	ENGINE HOOD (RH)	115
B-52	FRONT WINDSHIELD	117
B-53	DOOR WINDOWS/REGULATOR	118
B-53-10	DOOR LOCKS/OUTER HANDLE	120
B-53-20	DOOR PANELS	123
B-55-10	TRUNK LID	125
B-57	AIR CONDITIONER (COMPRESSOR).....	127
B-58	AIR CONDITIONER (CONDENSER)	128
B-60	AIR CONDITIONER (HOSES/PIPES) (RH)	129
B-70	ROOF PANEL (HARD TOP)	130
B-71	ROOF LINING (HARD TOP)	132
Z-12	WIRE HARNESS (HARD TOP)	133
E-1-1	THROTTLE BODY ('06-).....	134
E-3-1	INTAKE MANIFOLD ('06-)	135
E-4	EXHAUST MANIFOLD	137
E-5	PLUG HOLE COIL	138
E-6	AUTO TENSIONER BRACKET	139
E-6-10	ALTERNATOR (DENSO).....	140
E-7-1	ENGINE WIRE HARNESS (RH)	141
E-7-10	STARTER MOTOR (DENSO)	142
E-8-1	BREATHER PIPE ('06-).....	143
E-9-1	CYLINDER HEAD COVER ('06-).....	144
E-10	CYLINDER HEAD	145
E-11	CAMSHAFT/CAM CHAIN	147
E-11-10	CHAIN CASE	148
E-12	VALVE/ROCKER ARM	149
E-13	OIL PUMP/OIL STRAINER	150
E-14	CYLINDER BLOCK/OIL PAN	151
E-15	WATER PUMP	152
E-15-11	WATER HOSE ('06-).....	153
E-16	PISTON/CRANKSHAFT	154
E-18	CLUTCH	156

B-1-11 PURGE CONTROL SOLENOID VALVE ('06-)



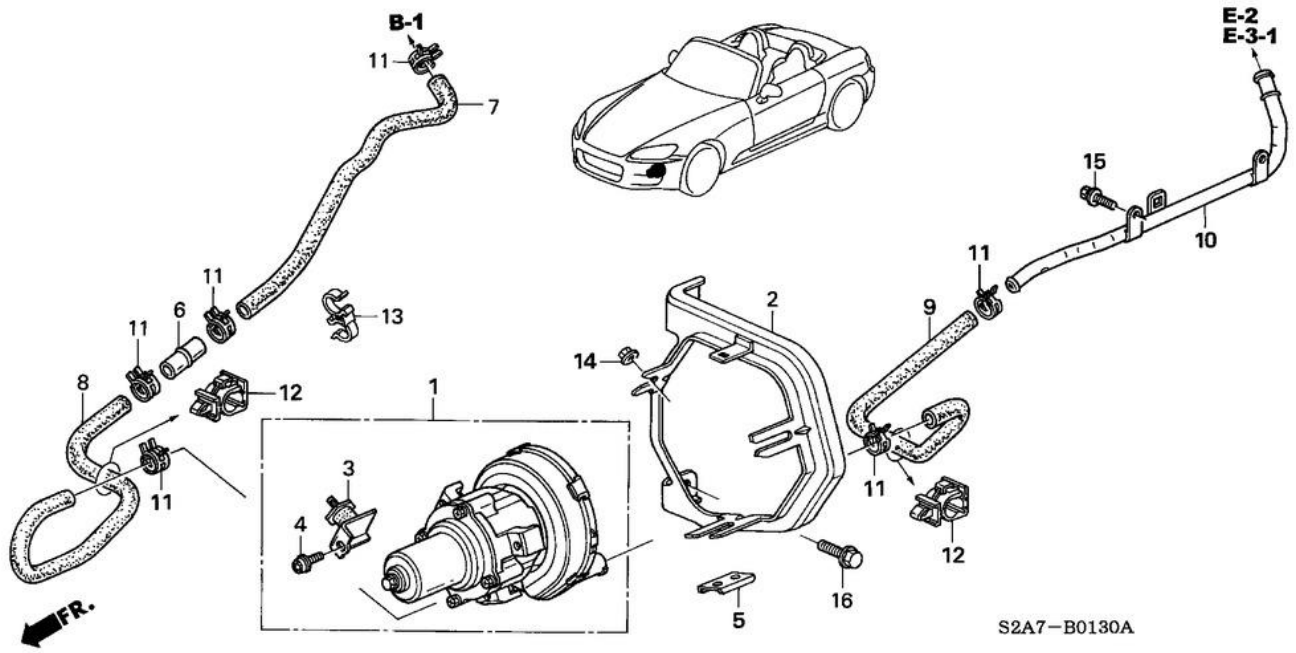
Ref	Part No	Honda Part No	Description	Price (Each)	Req Qty
1	PFKL373890	17717S2AA30	TUBE A, PURGE	£7.43	1
2	PFKL373906	17718S2A950	TUBE B, PURGE	£0.00	1
3	PFKL374435	17729S2A930	STAY, PURGE TUBE	£7.78	1
4	PFKL538549	36160PCX003	VALVE ASSY., PURGE CONTROL SOLENOID	£227.48	1
6	PFKL538681	36164PCX000	STAY COMP., PURGE CONTROL SOLENOID	£0.00	1
7	PFKL538708	36165PCXJ01	HOSE, PURGE	£7.38	1
8	PFKL538753	36166PAAA01	JOINT, PURGE	£18.68	1
9	PFKL538771	36166P0AA01	RUBBER, MOUNTING	£7.60	1
10	PFKL1011295	91406SAA000	CLAMP, TUBE (D12)	£2.58	4
11	PFKL1011331	91408SDB000	CLAMP, TUBE (D13.0)	£7.98	2
12	PFKL1017477	934050601608	BOLT-WASHER, 6X16	£2.38	1
13	PFKL1028254	957010601208	BOLT, FLANGE, 6X12	£1.92	2

B-1-20 VACUUM TANK

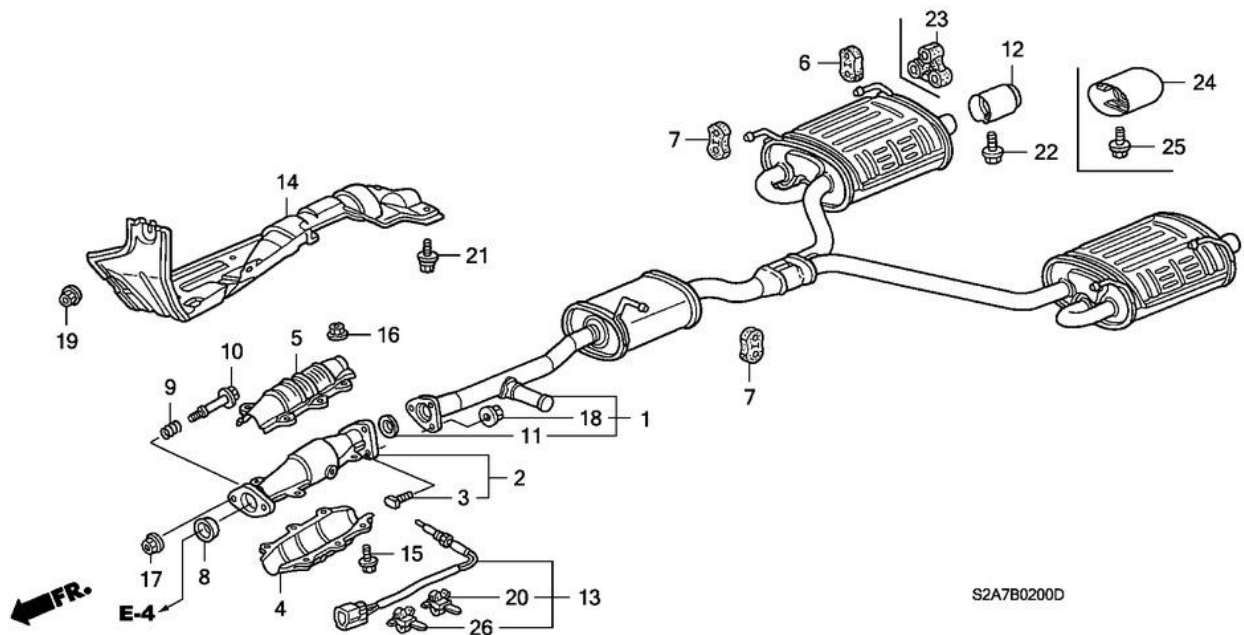


Ref	Part No	Honda Part No	Description	Price (Each)	Req Qty
1	PFKL538471	36145PM4004	VALVE, CHECK	£48.62	1
2	PFKL538656	36163PCXG01	VALVE ASSY., SECOND AIR CONTROL	£202.32	1
3	PFKL539263	36351PCXG01	TANK COMP., VACUUM	£27.97	1
4	PFKL539278	36353PCX000	TUBE A, SECOND AIR CONTROL SOLENOID	£9.30	1
5	PFKL539279	36354PCX003	CLAMP, TUBE (3.5)	£4.16	3
6	PFKL539280	36355PCX000	TUBE B, SECOND AIR CONTROL SOLENOID	£7.48	1
7	PFKL1019756	938920501007	SCREW-WASHER, 5X10	£1.56	1
8	PFKL1025311	950053520010S	TUBE, 3.5X200 (95005-35001-10M)	£0.00	1
9	PFKL1025712	950053530010S	TUBE, 3.5X265 (95005-35001-10M)	£0.00	1
10	PFKL1028277	957010601608	BOLT, FLANGE, 6X16	£1.92	1

B-1-30 AIR PUMP

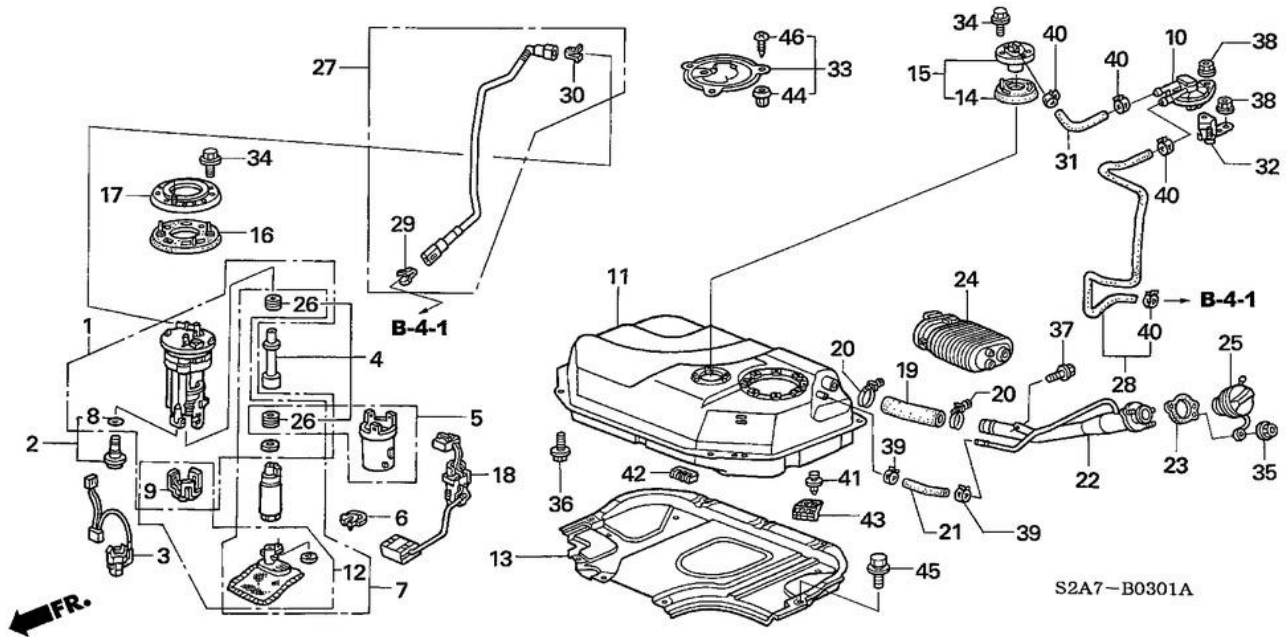


Ref	Part No	Honda Part No	Description	Price (Each)	Req Qty
1	PFKL396544	18760PCX003	PUMP ASSY., AIR	£1,328.80	1
2	PFKL396565	18761PCX000	BASE COMP., AIR PUMP	£28.19	1
3	PFKL396567	18762PCX003	GROMMET	£5.03	5
4	PFKL396568	18763PCX003	SCREW	£2.76	3
5	PFKL396570	18764PCX000	COLLAR, AIR PUMP BASE	£3.96	2
6	PFKL396612	18791PCX000	JOINT, SECOND AIR HOSE	£14.46	1
7	PFKL396614	18793PCX000	HOSE A, SECOND AIR	£34.85	1
8	PFKL396629	18797PCX000	HOSE B, SECOND AIR	£29.86	1
9	PFKL396633	18798PCX000	HOSE C, SECOND AIR	£27.86	1
10	PFKL396641	18801PCXG00	PIPE COMP., SECOND AIR	£0.00	1
11	PFKL407190	19517KM9000	CLIP, WATER HOSE	£6.76	6
12	PFKL1012556	91536SR3003	CLIP, SUCTION PIPE (BLACK)	£7.31	2
13	PFKL1012829	91551SD5003	CLAMP, HEATER	£4.99	1
14	PFKL1021328	9405006080	NUT, FLANGE, 6MM	£2.23	5
15	PFKL1028254	957010601208	BOLT, FLANGE, 6X12	£1.92	2
16	PFKL1028447	957010801608	BOLT, FLANGE, 8X16	£2.21	2



Ref	Part No	Honda Part No	Description	Price (Each)	Req Qty
1	PFKL380656	18030S2AA01	SILENCER SET, EX.	£401.02	1
2	PFKL381803	18160PCXG01	CONVERTER COMP.	£1,657.92	1
3	PFKL382271	18176P08003	BOLT, CONVERTER	£7.06	3
4	PFKL382288	18181PCXA00	COVER COMP., LOWER	£151.88	1
5	PFKL382375	18182PCXA00	COVER COMP., UPPER	£162.06	1
7	PFKL383494	18215S2A000	RUBBER, EX. MOUNTING	£8.51	3
8	PFKL384654	18229PCX003	GASKET, EX. FLEXIBLE	£33.73	1
9	PFKL384707	18230SV4000	SPRING, FLEXIBLE JOINT	£5.35	2
10	PFKL384776	18231SR3A22	BOLT B, FLEXIBLE JOINT	£4.82	2
11	PFKL387323	18302SP0003	GASKET, EX. PIPE	£7.02	1
13	PFKL540104	36532PZX004	SENSOR, RR. OXYGEN	£259.13	1
14	PFKL802274	74601S2A000	PLATE COMP., FR. FLOOR HEAT BAFFLE	£0.00	1
15	PFKL976714	90023PCX000	BOLT-WASHER, 6X16	£4.56	6
16	PFKL983022	90115SL5A00	NUT, FLANGE, 6MM	£6.52	6
17	PFKL983059	90115659003	NUT, SELF-LOCK, 8MM	£6.07	2
18	PFKL988666	90212SA5003	NUT, SELF-LOCK, 10MM	£1.97	3
19	PFKL989126	90301SV7000	NUT, PAINT CUTTING, 6MM	£7.16	2
20	PFKL1012008	91507P01003	CLIP B, HARNESS BAND (DARK BROWN) (129.4MM)	£4.93	1
21	PFKL1017467	934050601208	BOLT-WASHER, 6X12	£2.21	4
23	PFKL383503	18215S6MJ01	RUBBER, EX. MOUNTING	£6.97	2
24	PFKL389110	18310S2AA02	FINISHER, EX.	£90.29	2
25	PFKL1028241	957010601008	BOLT, FLANGE, 6X10	£1.92	2
26	PFKL1011974	91506P01003	CLIP A, HARNESS BAND (DARK GRAY) (129.4MM)	£4.93	1

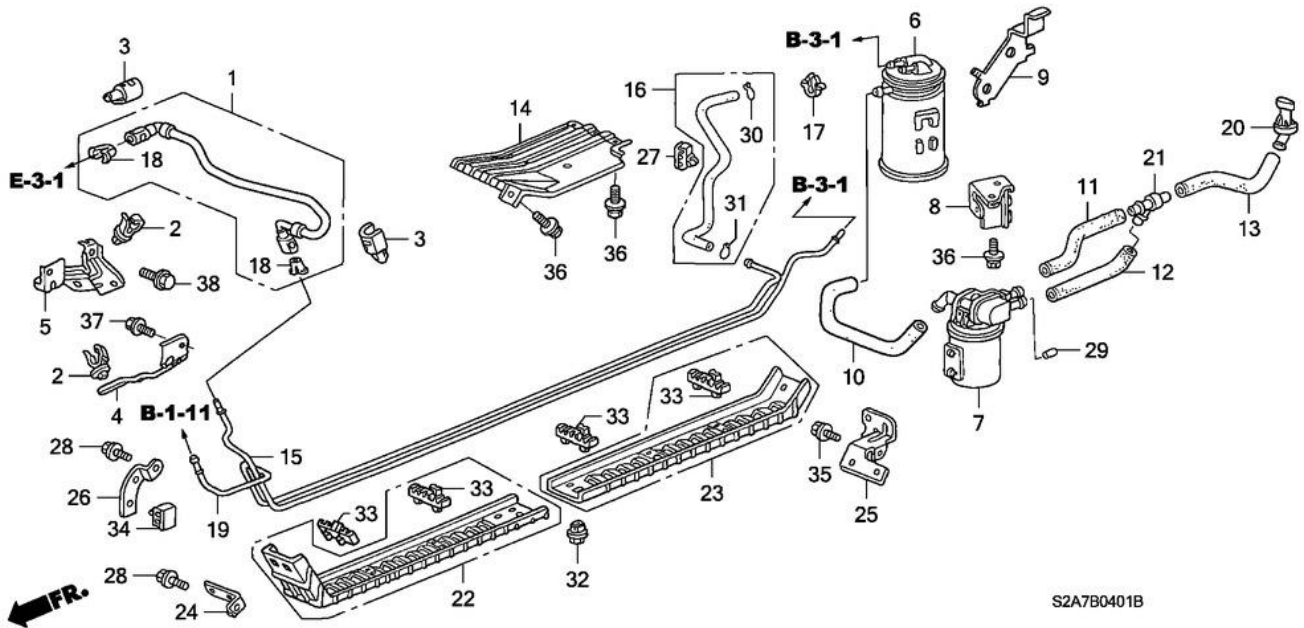
B-3-1 FUEL TANK ('06-)



Ref	Part No	Honda Part No	Description	Price (Each)	Req Qty
1	PFKL317231	16010SDGH00	STRAINER SET, FUEL	£48.97	1
2	PFKL319587	16015S2AA50	REGULATOR ASSY.	£0.00	1
3	PFKL320040	16016SDGH00	WIRE COMP., LEAD	£26.50	1
4	PFKL320289	16017S9ET00	PIPE SET, JOINT (A)	£8.39	1
5	PFKL320438	16019SDCE00	HOUSING ASSY.	£9.78	1
6	PFKL340647	16711S5HT31	RUBBER, FUEL PUMP INSULATOR	£5.29	1
7	PFKL347657	17040S2AA50	PUMP SET, FUEL	£0.00	1
8	PFKL347701	17043S5HT30	O-RING	£3.77	1
9	PFKL347704	17044SDCE01	BRACKET C	£0.00	1
10	PFKL359554	17371SR3A01	VALVE, TWO WAY	£43.28	1
11	PFKL362077	17500S2A951	TANK COMP., FUEL	£541.99	1
12	PFKL365719	17516SDCE00	FILTER COMP., FUEL PUMP	£52.38	1
13	PFKL365992	17519S2AA32	PROTECTOR, FUEL TANK	£210.02	1
14	PFKL369760	17551S84A01	PACKING	£13.13	1
15	PFKL370204	17570S04G01	VALVE, FUEL CUT	£63.37	1
16	PFKL370278	17574S84A01	PACKING, BASE	£15.76	1
17	PFKL370311	17579SDCE01	PLATE, SETTING	£0.00	1
18	PFKL371284	17630S2AA51	METER COMP.	£49.14	1
19	PFKL371583	17651S2A930	TUBE, FILLER NECK	£0.00	1
20	PFKL371624	17652SDAT01	CLIP, FILLER TUBE	£7.13	2
21	PFKL371761	17658S2A930	TUBE, BREATHER	£0.00	1
22	PFKL372071	17660S2AQ50	PIPE COMP., FUEL FILLER	£0.00	1
23	PFKL372173	17662SS1010	PACKING, FUEL FILLER PIPE	£7.58	1
24	PFKL372235	17667S2A932	GROMMET, FUEL FILLER PIPE	£0.00	1
25	PFKL372337	17670SHJK02	CAP COMP., FUEL FILLER (TOYODA)	£52.30	1
26	PFKL373413	17705S0XA01	GROMMET	£10.88	2
27	PFKL373548	17707S2A951	TUBE COMP., FUEL FEED	£0.00	1
28	PFKL373773	17710S2A930	TUBE ASSY., VENT	£42.34	1
29	PFKL373820	17711ST0004	RETAINER (WHITE) (SANOH)	£9.95	1
30	PFKL373829	17711S84004	RETAINER (WHITE) (SANOH)	£10.91	1
31	PFKL373847	17713S2A930	TUBE, FUEL VENT	£15.88	1
32	PFKL374383	17726S2A930	STAY, TWO WAY VALVE	£0.00	1

33	PFKL802591	74660S84A00	CAP ASSY., FLOOR MAINTENANCE HOLE	£0.00	1
34	PFKL979359	90101S84000	BOLT-WASHER, 5X10	£3.16	11
35	PFKL980094	90103SB0010	NUT, FLANGE, 5MM	£2.81	3
36	PFKL986262	90148S2K003	BOLT, EARTH, 8X16	£7.31	4
37	PFKL986346	90150S04003	BOLT, EARTH, 6X16	£4.45	1
38	PFKL989106	90301SE0J00	NUT, FLANGE, 6MM	£3.92	2
39	PFKL1000123	90700SDA003	CLAMP, FUEL TUBE (D17.0)	£7.08	2
40	PFKL1011266	91405SDA000	CLAMP, TUBE (D10.5)	£2.90	4
41	PFKL1011719	91501S04003	CLIP, INNER FENDER	£3.02	2
42	PFKL1013861	91594S2AA50	HOLDER, FUEL TUBE	£0.00	1
43	PFKL1013900	91595S2AA51	CLAMP, FUEL TUBE	£0.00	1
44	PFKL1014078	91601SH3013	GROMMET, SCREW, 5MM (BLACK)	£4.82	3
45	PFKL1017464	934050601204	BOLT-WASHER, 6X12	£2.21	8
46	PFKL1020227	9390125220	SCREW, TAPPING, 5X12	£1.49	3

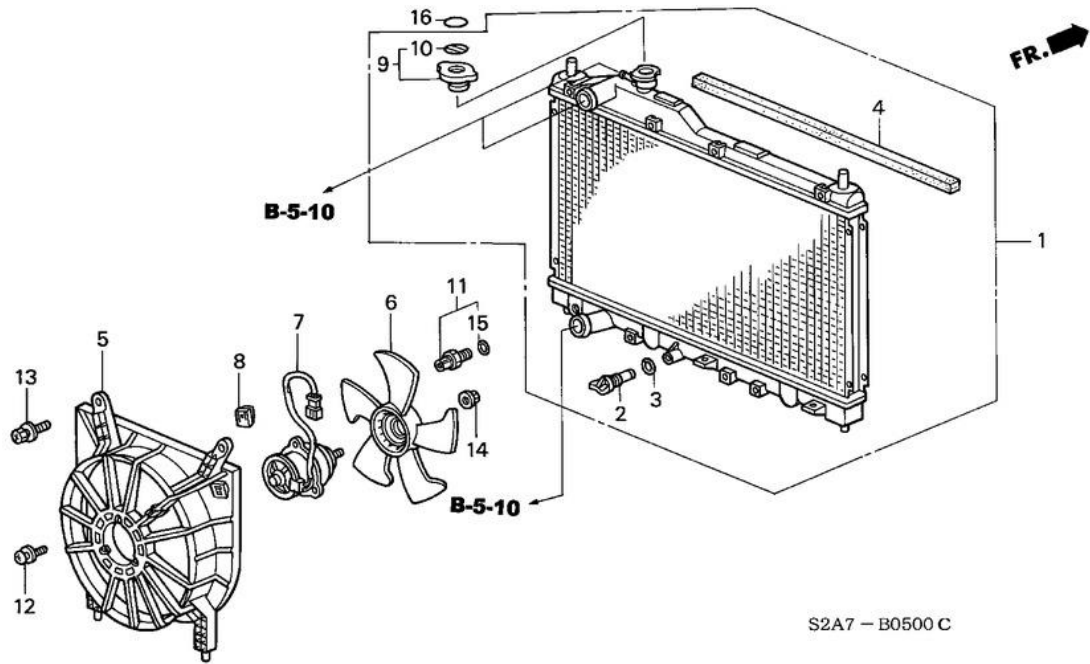
B-4-1 FUEL PIPE ('06-)



Ref	Part No	Honda Part No	Description	Price (Each)	Req Qty
1	PFKL340959	16722PZX003	HOSE COMP., FUEL FEED	£68.69	1
2	PFKL341057	16725RAC003	CLAMP, FUEL HOSE (NATURAL)	£4.20	2
3	PFKL341066	16726PWA004	COVER B, FUEL CONNECTOR (BLACK)	£4.78	2
4	PFKL341120	16731PZX000	STAY B, FUEL HOSE	£0.00	1
5	PFKL341244	16751PZX000	STAY, FUEL HOSE	£0.00	1
6	PFKL358498	17300S1AE11	CANISTER ASSY.	£0.00	1
7	PFKL358767	17315S84A02	FILTER, CANISTER	£118.40	1
8	PFKL359216	17358S2A931	BRACKET, CANISTER	£17.33	1
9	PFKL359268	17359S2A930	STOPPER, CANISTER	£0.00	1
10	PFKL359621	17372S2A931	TUBE, CANISTER	£0.00	1
11	PFKL359662	17373S2A950	TUBE A, DRAIN	£0.00	1
12	PFKL359684	17374S2A950	TUBE, FILTER DRAIN	£0.00	1
13	PFKL359700	17375S2A950	TUBE B, DRAIN	£0.00	1
14	PFKL369351	17538S2A020	COVER, CANISTER	£0.00	1
15	PFKL373131	17700S2AE51	PIPE, FUEL FEED	£41.52	1
16	PFKL373314	17703S2A930	TUBE ASSY., CANISTER	£15.88	1
17	PFKL373425	17706SC3003	CLIP, FUEL PIPE	£5.17	1
18	PFKL373825	17711S0X931	RETAINER (BLUE GREEN) (TOKAI)	£7.26	2
19	PFKL373997	17720S2A930	PIPE, FUEL VENT	£35.96	1
20	PFKL374794	17742SDAA02	JOINT, DRAIN TUBE	£19.88	1
21	PFKL374866	17743S2A931	JOINT, 3WAY DRAIN	£0.00	1
22	PFKL375005	17752S2A931	COVER, FR. FUEL PIPE	£18.65	1
23	PFKL375013	17753S2A931	COVER, RR. FUEL PIPE	£18.65	1
24	PFKL375095	17761S2A930	STAY A, FUEL PIPE	£6.19	1
25	PFKL375129	17762S2A930	STAY B, FUEL PIPE	£9.30	1
26	PFKL375149	17763S2A930	STAY C, FUEL PIPE	£4.70	1
27	PFKL696760	53728SL5003	CLIP, RETURN PIPE, 6MM	£0.00	1
28	PFKL986346	90150S04003	BOLT, EARTH, 6X16	£4.45	2
29	PFKL997525	90634PA0000	CAP, SEALING	£3.26	1
30	PFKL1011168	91401SDC000	CLIP, TUBE (B10)	£2.11	1
31	PFKL1011201	91402SDC000	CLIP, TUBE (B12)	£2.11	1
32	PFKL1014013	91598S84A01	CLIP, FUEL PIPE	£5.29	3

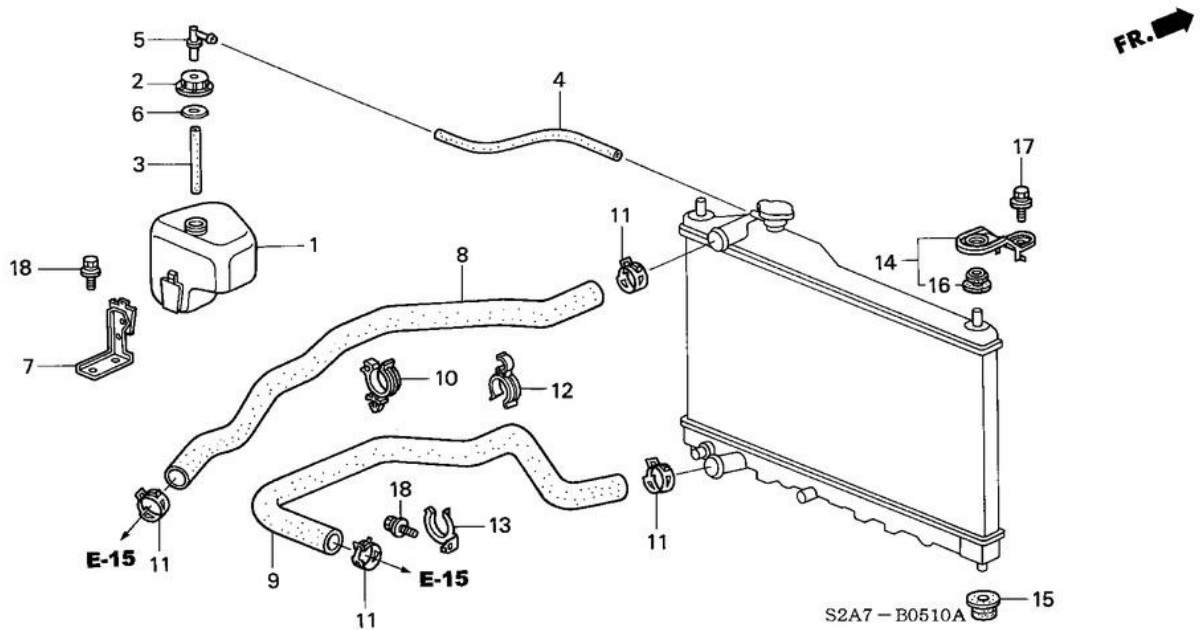
33	PFKL1014049	91599S0A003	CLAMP, FUEL PIPE	£5.96	7
34	PFKL1014052	91599S2A931	CLIP, FUEL PIPE	£4.99	1
35	PFKL1017473	934050601604	BOLT-WASHER, 6X16	£2.21	1
36	PFKL1017477	934050601608	BOLT-WASHER, 6X16	£2.38	5
37	PFKL1028254	957010601208	BOLT, FLANGE, 6X12	£1.92	1
38	PFKL1028430	957010801208	BOLT, FLANGE, 8X12	£2.21	1

B-5 RADIATOR (DENSO)



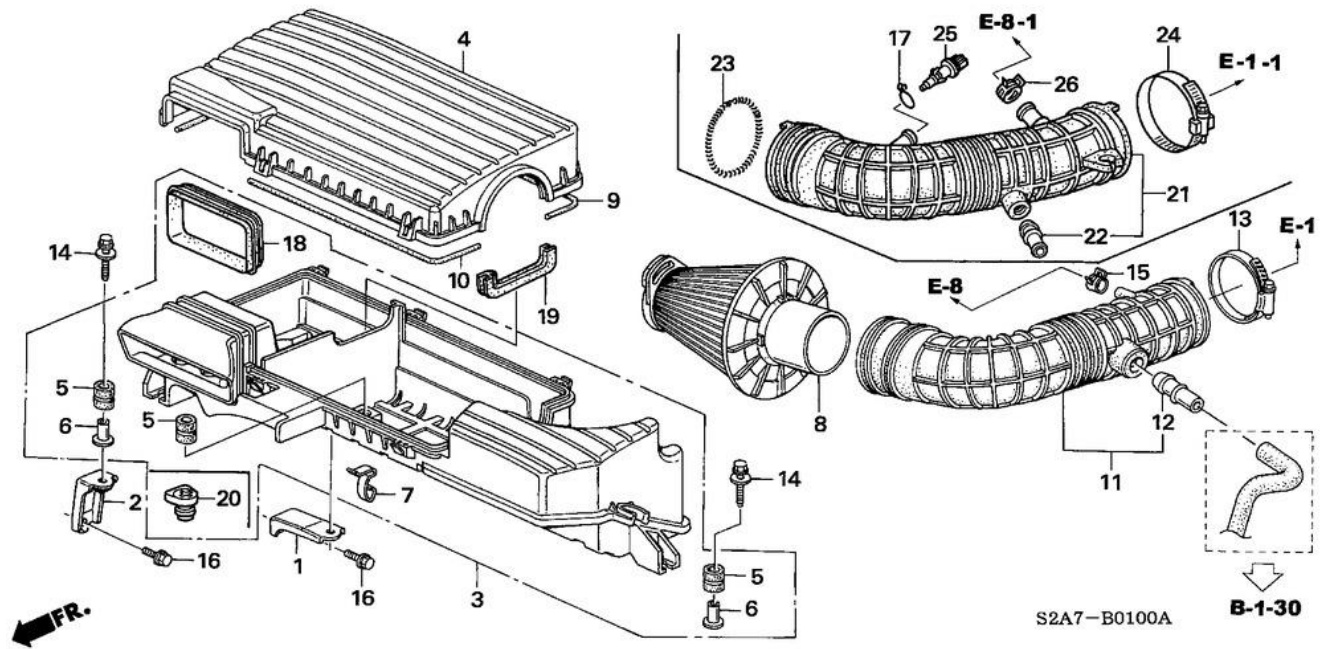
Ref	Part No	Honda Part No	Description	Price (Each)	Req Qty
1	PFKL397364	19010PCX013	RADIATOR COMP. (DENSO)	£375.29	1
2	PFKL398052	19011PH1621	BOLT, DRAIN (DENSO)	£12.59	1
3	PFKL398088	19012671300	PACKING, DRAIN (DENSO)	£3.24	1
4	PFKL398101	19013PCX003	SEAL, RADIATOR UPPER	£18.25	1
5	PFKL398376	19015PCX003	SHROUD COMP.	£110.11	1
6	PFKL398812	19020PT0003	FAN, COOLING (DENSO)	£97.91	1
7	PFKL399266	19030PCX003	MOTOR, COOLING FAN	£282.71	1
8	PFKL399639	19033PAAA01	CLIP, COUPLER (DENSO)	£8.26	1
9	PFKL400131	19045RAA003	CAP COMP., RADIATOR (DENSO)	£38.88	1
10	PFKL400149	19046RAA000	LABEL, RADIATOR CAP	£3.49	1
11	PFKL552340	37760P00003	SWITCH ASSY., THERMO (A-93) (NIPPON THERMOSTAT)	£95.08	1
11	PFKL552340	37760P00003	SWITCH ASSY., THERMO (A-93) (UCHIYA THERMOSTAT)	£95.08	1
12	PFKL977658	90041P5A003	SCREW-WASHER, 4X11	£2.88	3
13	PFKL977712	90042PAAA01	BOLT-WASHER, 6X16 (DENSO)	£3.37	2
14	PFKL977796	90043PD2003	NUT, HEX., 5MM (DENSO)	£6.16	1
15	PFKL1009800	91307PN3000	O-RING, 17.5X1.4	£4.31	1

B-5-10 RADIATOR HOSE



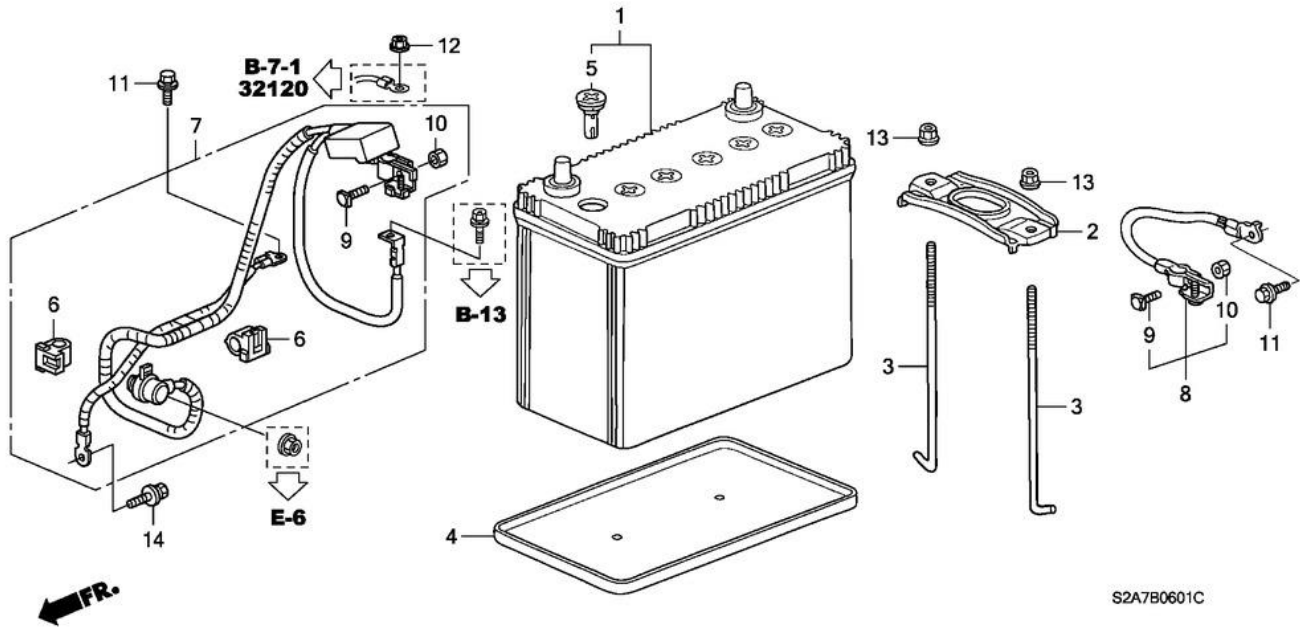
Ref	Part No	Honda Part No	Description	Price (Each)	Req Qty
1	PFKL401087	19101PCX000	TANK, RESERVE	£92.94	1
2	PFKL401242	19102PM5A00	CAP, RESERVE TANK	£12.01	1
3	PFKL401313	19103PCX000	HOSE, RESERVE TANK	£7.51	1
4	PFKL401412	19104PCX000	TUBE, RESERVE TANK	£7.46	1
5	PFKL401630	19106PM3000	JOINT, RESERVE TANK	£8.52	1
6	PFKL401734	19108PCX000	WASHER, RESERVE TANK	£2.36	1
7	PFKL402141	19115PCX000	BRACKET, RESERVE TANK	£13.96	1
8	PFKL405399	19501PCX010	HOSE, WATER UPPER	£56.00	1
9	PFKL405672	19502PCX010	HOSE, WATER LOWER	£56.00	1
10	PFKL405929	19503PY3003	CLAMP, WATER HOSE LOWER	£7.56	1
11	PFKL406844	19511PH7003	CLIP, WATER HOSE (36.5MM) (KEIHIN)	£6.91	4
12	PFKL407225	19518PCX003	CLAMP, HOSE	£4.16	1
13	PFKL407238	19519PCX000	CLAMP, HOSE	£7.72	2
14	PFKL799835	74171SP0010	BRACKET, R. RADIATOR MOUNTING UPPER	£30.86	2
15	PFKL799874	74172SM4970	CUSHION, RADIATOR MOUNTING LOWER	£18.48	2
16	PFKL799887	74173SJ4000	CUSHION, RADIATOR MOUNTING UPPER	£6.58	2
17	PFKL1017473	934050601604	BOLT-WASHER, 6X16	£2.21	2
18	PFKL1028254	957010601208	BOLT, FLANGE, 6X12	£1.92	4

B-1 AIR CLEANER



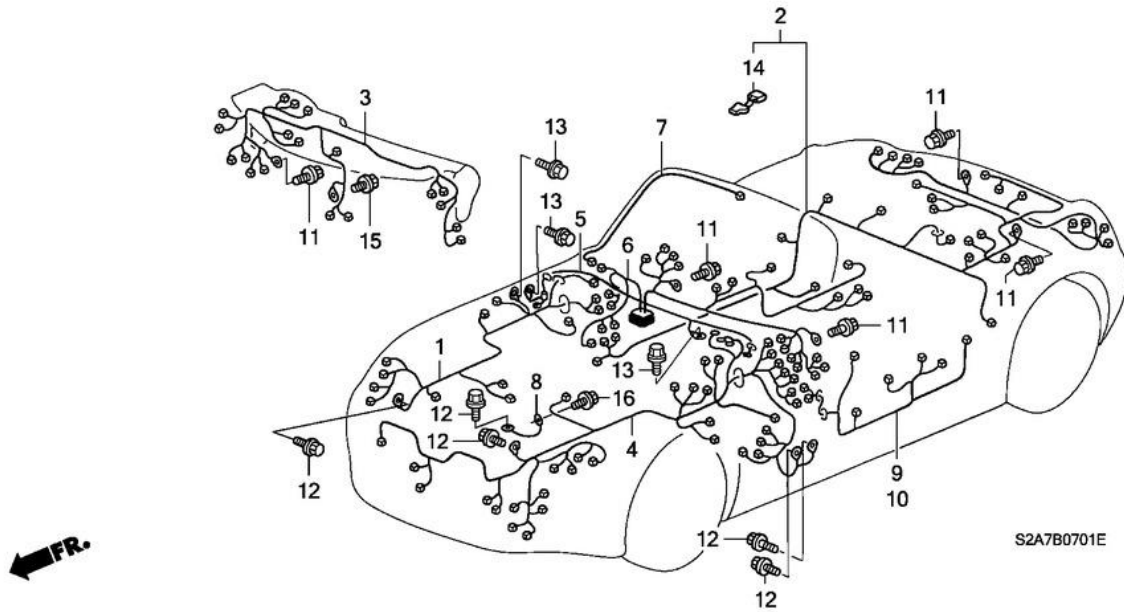
Ref	Part No	Honda Part No	Description	Price (Each)	Req Qty
1	PFKL349789	17202PCX000	STAY COMP., RR. AIR CLEANER	£6.19	1
2	PFKL349829	17203PCX000	STAY COMP., FR. AIR CLEANER	£6.19	1
3	PFKL349941	17205PZX000	CASE SET, AIR CLEANER	£253.92	1
4	PFKL350572	17210PZX000	COVER COMP., AIR CLEANER	£181.49	1
5	PFKL351368	17212P2JJ00	RUBBER, AIR CLEANER MOUNTING	£7.66	3
6	PFKL352047	17216PN3000	COLLAR, AIR CLEANER MOUNTING	£7.09	3
7	PFKL352160	17217P2J300	CLIP, AIR CLEANER	£7.21	6
8	PFKL2314138	17220PZX505	ELEMENT COMP., AIR CLEANER	£32.65	1
9	PFKL353455	17222PCX000	SEAL RUBBER B, AIR CLEANER	£11.41	1
10	PFKL353262	17221PCX000	SEAL RUBBER A, AIR CLEANER	£7.72	1
14	PFKL973990	90001POA000	BOLT-WASHER, SPECIAL, 6X35	£7.51	3
16	PFKL1028254	957010601208	BOLT, FLANGE, 6X12	£1.92	2
17	PFKL316614	15772551000	CLIP, BREATHER TUBE	£5.96	1
18	PFKL351633	17213PZX000	RUBBER, DUCT SEAL	£0.00	1
19	PFKL351954	17215PZX000	SEAL RUBBER C, DUCT	£0.00	1
20	PFKL353583	17223PZX000	RUBBER, MOUNTING	£0.00	1
21	PFKL353951	17228PCXG00	TUBE COMP., AIR FLOW	£115.64	1
22	PFKL354098	17229PCXG00	JOINT, AIR HOSE	£0.00	1
23	PFKL356148	17249PZX000	SPRING, AIR FLOW TUBE	£9.71	1
24	PFKL358788	17316RCAA01	CLAMP, AIR FLOW (90)	£10.98	1
25	PFKL554686	37880PLC004	SENSOR ASSY., AIR TEMP (MATSUSHITA DENSHI)	£60.96	1
26	PFKL1011253	91405PM5004	CLIP, HOSE (D17)	£6.55	1

B-6-1 BATTERY (RH)



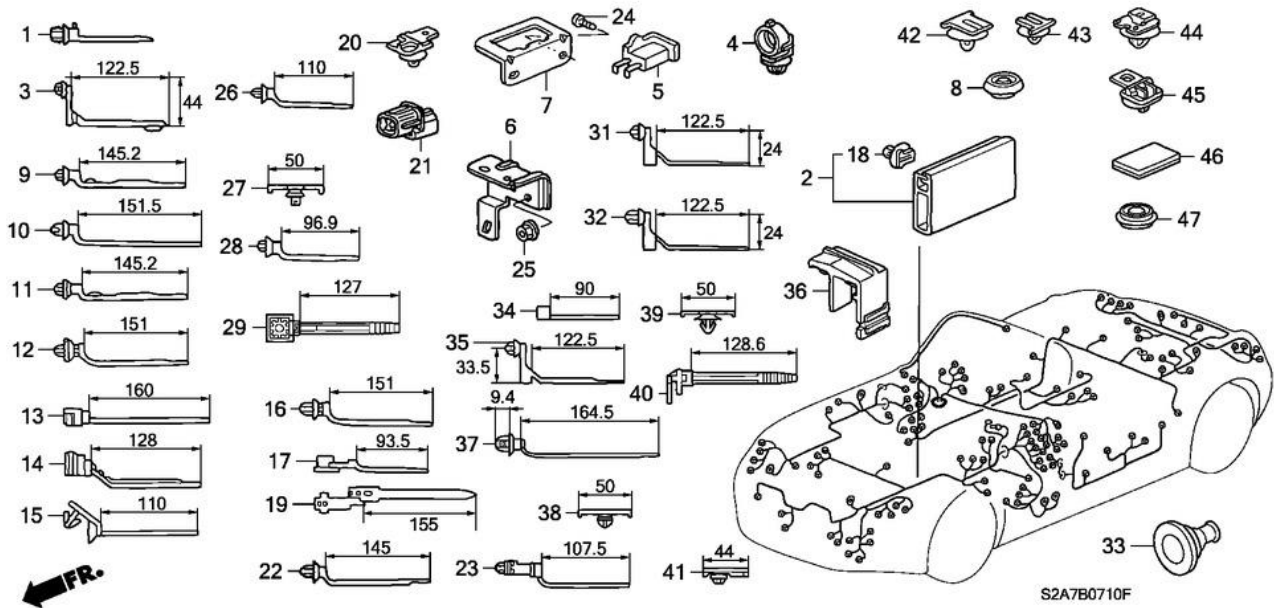
Ref	Part No	Honda Part No	Description	Price (Each)	Req Qty
1	PFKL2307601	31500TTOG01	BATTERY ASSY. (55B24L-MF) (FURUKAWA)	£101.10	1
2	PFKL471253	31512SR3000	PLATE, BATTERY SETTING	£23.65	1
3	PFKL471323	31513SR3000	BOLT, BATTERY SETTING	£8.10	2
4	PFKL471404	31521SR3000	BOX ASSY., BATTERY	£19.25	1
5	PFKL471533	31542SA5666	PLUG, VENT (MF) (FURUKAWA)	£6.94	6
6	PFKL481250	32115P64003	HOLDER, CORRUGATED (DARK BLUE) (10MM)	£6.98	2
7	PFKL487574	32410S2AE00	CABLE ASSY., STARTER	£101.06	1
8	PFKL488297	32600S2AA00	CABLE ASSY., BATTERY EARTH	£36.66	1
9	PFKL488566	32601SK7900	BOLT, BATTERY TERMINAL	£6.86	2
10	PFKL488641	32602SK7900	NUT, BATTERY TERMINAL	£2.94	2
11	PFKL986282	90149SE0003	BOLT, EARTH, 6X16	£5.68	2
12	PFKL990658	90337SJ4003	NUT, A.L.B.	£2.48	1
13	PFKL1021328	9405006080	NUT, FLANGE, 6MM	£2.23	2
14	PFKL1028254	957010601208	BOLT, FLANGE, 6X12	£1.92	1

B-7-1 WIRE HARNESS (RH)



Ref	Part No	Honda Part No	Description	Price (Each)	Req Qty
1	PFKL477031	PFKL477031	HARNESS, R. CABIN WIRE	£0.00	1
2	PFKL479815	PFKL479815	HARNESS, RR. WIRE	£0.00	1
3	PFKL482314	PFKL482314	HARNESS, INSTRUMENT WIRE	£1,158.43	1
4	PFKL482913	PFKL482913	HARNESS, L. CABIN WIRE	£490.03	1
5	PFKL483164	PFKL483164	SUB CORD, EPS	£0.00	1
6	PFKL484055	PFKL484055	HARNESS, DASHBOARD WIRE	£854.76	1
7	PFKL484483	PFKL484483	CORD, INTERIOR LIGHT	£25.76	1
8	PFKL488731	PFKL488731	CABLE, EPS GEAR BOX EARTH	£10.94	1
9	PFKL490480	PFKL490480	HARNESS, DRIVER DOOR WIRE	£0.00	1
10	PFKL490874	PFKL490874	HARNESS, PASSENGER DOOR WIRE	£108.34	1
11	PFKL986253	PFKL986253	BOLT, EARTH, 6X16 (WASHER 12.5MM) (ZN)	£6.22	0
12	PFKL986282	PFKL986282	BOLT, EARTH, 6X16	£5.68	0
13	PFKL986537	PFKL986537	BOLT, EARTH, 6X12	£7.04	2
14	PFKL456791	PFKL456791	CONDENSER COMP.	£0.00	1
15	PFKL986536	PFKL986536	BOLT, EARTH, 6X12 (ZN)	£4.14	1
16	PFKL1028254	PFKL1028254	BOLT, FLANGE, 6X12	£1.92	1

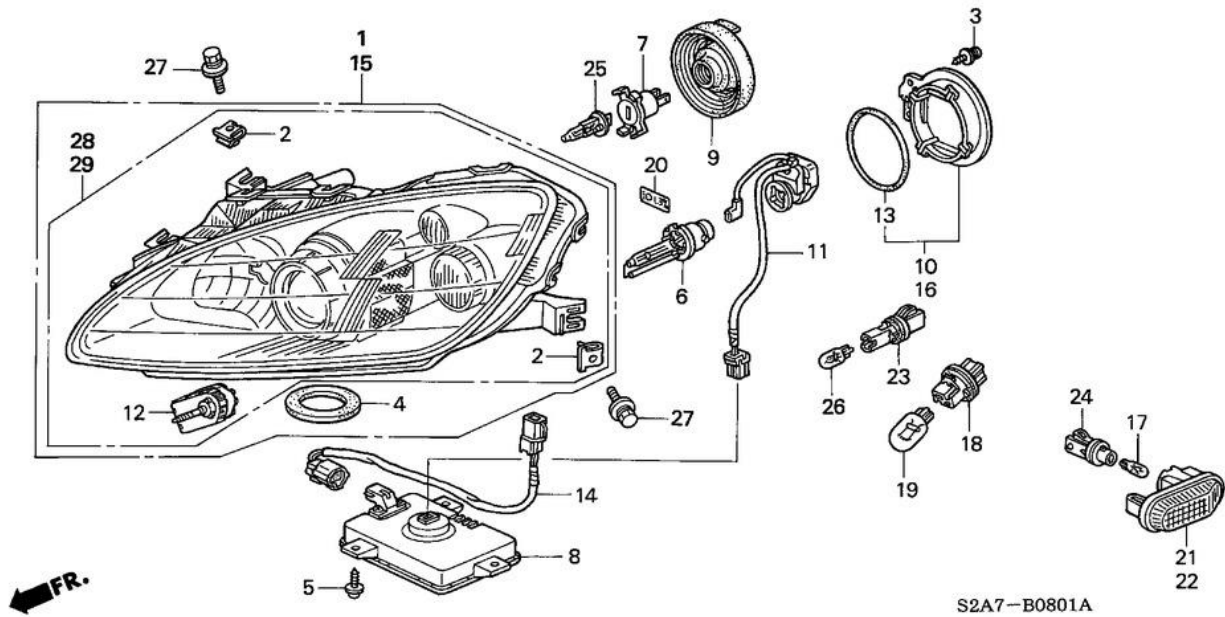
B-7-10 HARNESS BAND/BRACKET



Ref	Part No	Honda Part No	Description	Price (Each)	Req Qty
3	PFKL483414	32133SM4003	BAND, HARNESS OFFSET (30) (YELLOW) (122.5MM)	£8.88	2
5	PFKL483724	32146SH3003	CONNECTOR, DIODE (2P)	£17.44	1
7	PFKL484214	32152S2A000	BRACKET, OBD-2	£0.00	1
8	PFKL1001206	90851SR3981	PLUG, HOLE, 38MM	£0.00	1
9	PFKL1012593	91540SV4003	CLIP, HARNESS BAND (NATURAL) (145.2MM)	£6.25	8
10	PFKL1012597	91540S30003	CLIP, HARNESS BAND (NATURAL) (151.5MM)	£5.51	0
11	PFKL1012647	91545SV4003	CLIP, HARNESS BAND (NATURAL) (145.2MM) (WITH SEAL)	£8.14	8
12	PFKL1012650	91545S2A003	CLIP, HARNESS BAND (BROWN) (151MM) (WITH SEAL)	£4.99	4
13	PFKL1012687	91547SH3003	CLIP, BAND (NATURAL) (160MM)	£8.16	3
14	PFKL1012713	91548S84003	CLIP, HARNESS BAND (GRAY) (128MM)	£5.29	7
15	PFKL1012789	91550ST0003	CLIP, WIRE HARNESS (NATURAL) (110MM)	£3.78	2
16	PFKL1012841	91551SW5003	CLIP, HARNESS BAND (BROWN) (151MM)	£5.06	7
17	PFKL1012934	91552SS0003	CLIP, WIRE HARNESS (M5) (BROWN) (93.5MM)	£5.51	2
20	PFKL1013485	91565S0X003	CLIP, COUPLER (DARK GREEN)	£4.79	5
22	PFKL1012610	91541S0A003	CLIP, HARNESS BAND (BLACK) (145MM)	£3.38	0
24	PFKL1020805	9391314220	SCREW, TAPPING, 4X12	£1.49	2
26	PFKL1012023	91507SL9003	CLIP, WIRE HARNESS (GREEN) (110MM) (7MM HOLE)	£4.68	2
28	PFKL1012595	91540S0A003	CLIP, HARNESS BAND (NATURAL) (96.9MM)	£3.55	0
29	PFKL1012709	91548SV4003	CLIP, BAND (6MM BOSS)(NATURAL) (127MM)	£6.72	4
31	PFKL483423	32134SM4003	BAND, HARNESS OFFSET (10) (BROWN) (122.5MM)	£7.07	2
32	PFKL1013650	91577SS0003	CLIP, WIRE HARNESS (BLUE) (122.5MM)	£4.70	1
33	PFKL2101363	32111680300	GROMMET, RR. HARNESS (BLACK)	£0.00	1
34	PFKL481112	32112S2K003	BAND, CABLE	£3.49	1
36	PFKL485930	32312SM4013	HOLDER, COUPLER	£0.00	1
37	PFKL1012025	91507SNA003	CLIP, HARNESS BAND (BROWN) (164.5MM)	£3.60	1
38	PFKL1012038	91507693003	CLIP, WIRE HARNESS (BLACK) (50MM) (HARNESS TAPING)	£4.36	3

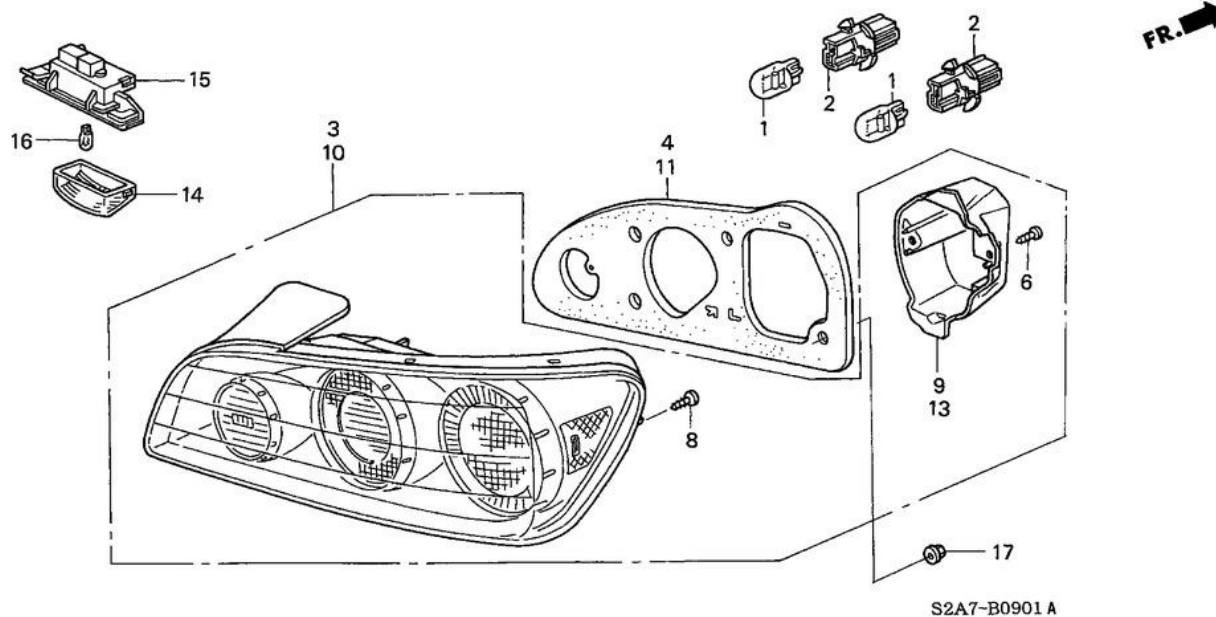
40	PFKL1049528	91531SR3003	HOLDER, COUPLER (NATURAL) (128.6MM)	£4.60	5
41	PFKL1012469	91531S04003	CLIP, WIRE HARNESS (NATURAL) (44MM)	£3.48	5
42	PFKL1012516	91533S04003	CLIP, COUPLER (NATURAL)	£2.70	0
44	PFKL1013163	91557S10003	CLIP, WIRE HARNESS PROTECTOR (NATURAL)	£4.20	2
46	PFKL1014645	91902SB2003	CUSHION, WIRE HARNESS (50X100)	£7.66	4
47	PFKL1027815	9555007000	PLUG, BLIND, 7MM	£2.98	2

B-8-1 HEADLIGHT ('04-)



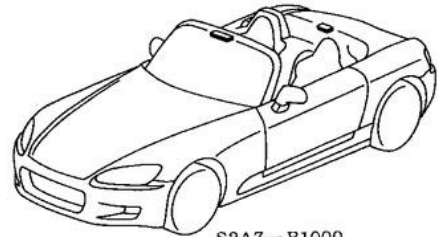
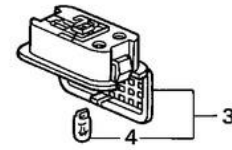
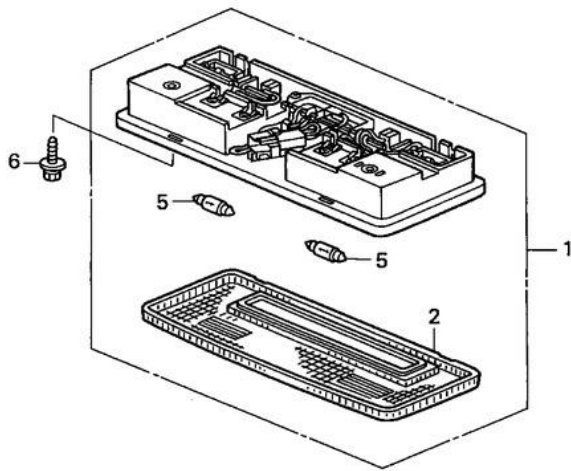
Ref	Part No	Honda Part No	Description	Price (Each)	Req Qty
2	PFKL495213	33104ST7000	NUT, SPECIAL	£3.55	8
3	PFKL495517	33108S2A003	SCREW, SPECIAL TAPPING	£3.88	2
4	PFKL495573	33109S7AJ11	SEAL, GASKET	£10.62	2
5	PFKL495766	33110S6M003	BOLT, TAPPING, 5X16	£4.97	6
6	PFKL496118	33116ST7003	BULB (HID D2S)	£115.32	2
7	PFKL496123	33116S2A003	ADAPTER	£13.38	2
8	PFKL496190	33119S2AJ01	CONTROL UNIT	£440.90	2
9	PFKL497242	33126S7A003	COVER, RUBBER	£18.07	2
10	PFKL497270	33127S2AE01	COVER COMP., R. BACK	£16.36	1
11	PFKL497321	33129S2AJ01	IGNITER, HID	£384.12	2
12	PFKL497527	33130S2AG01	ADJUSTER UNIT, HEADLIGHT	£276.48	2
13	PFKL497929	33145S2A003	O-RING	£10.46	2
14	PFKL497955	33147S2AA11	CORD COMP.	£75.60	2
16	PFKL499415	33177S2AE01	COVER COMP., L. BACK	£14.86	1
17	PFKL518903	34351S1AG01HE	BULB, WEDGE BASE (WY 12V 5W) (STANLEY) (AMBER)	£1.98	2
18	PFKL500284	33303S2AA00	PLUG, SOCKET	£20.27	2
19	PFKL500289	33303S30003	BULB (T20W 12V 21W)	£3.92	2
21	PFKL515438	33801S2AJ02	LAMP UNIT	£21.90	1
22	PFKL515589	33851S2AJ02	LAMP UNIT	£21.90	1
23	PFKL518475	34301S2A003	SOCKET COMP. (T10)	£13.42	2
24	PFKL518548	34304SH3A01	SOCKET COMP.	£15.08	2
25	PFKL519496	34901SZ3000	BULB, HEADLIGHT (H1) (12V 55W)	£8.48	2
26	PFKL519500	34901S6DG01HE	BULB (12V 5W)	£3.92	2
27	PFKL1017473	934050601604	BOLT-WASHER, 6X16	£2.21	8
28	PFKL494546	33101S2AE21	HEADLIGHT UNIT, R.	£695.80	1
29	PFKL498871	33151S2AE21	HEADLIGHT UNIT, L.	£695.80	1

B-9-1 TAILLIGHT ('04-)



Ref	Part No	Honda Part No	Description	Price (Each)	Req Qty
1	PFKL500289	33303S30003	BULB (T20W 12V 21W)	£3.92	4
2	PFKL500316	33304S30003	SOCKET COMP. (T20)	£12.48	4
3	PFKL505980	33501S2AE11	LAMP UNIT, R. TAIL	£328.90	1
4	PFKL506186	33502S2AA11	GASKET, R. BASE	£22.20	1
6	PFKL506445	33507S2AA11	SCREW, TAPPING	£5.53	4
8	PFKL506460	33509S2AA11	SCREW, SPECIAL TAPPING	£7.92	2
9	PFKL506559	33527S2AA11	COVER, R. BACK	£13.61	1
10	PFKL507442	33551S2AJ01	LAMP UNIT, L. TAIL	£328.90	1
11	PFKL507587	33552S2AA11	GASKET, L. BASE	£22.20	1
13	PFKL507700	33557S2AA11	COVER, L. BACK	£15.28	1
14	PFKL516437	34101S2K902	LENS	£9.62	2
15	PFKL1047751	34102S2K013	HOUSING COMP.	£17.44	2
16	PFKL519500	34901S6DG01HE	BULB, WEDGE (12V 5W)	£3.92	2
17	PFKL1021316	9405005080	NUT, FLANGE, 5MM	£0.50	8

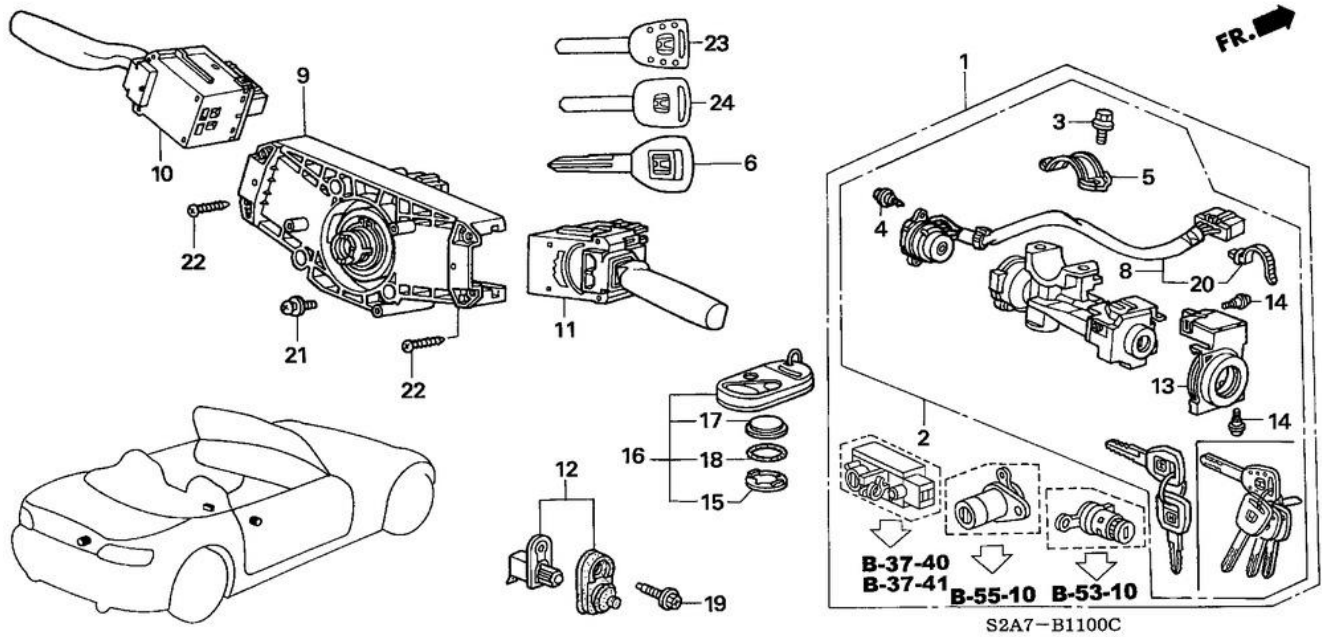
B-10 INTERIOR LIGHT



FR.

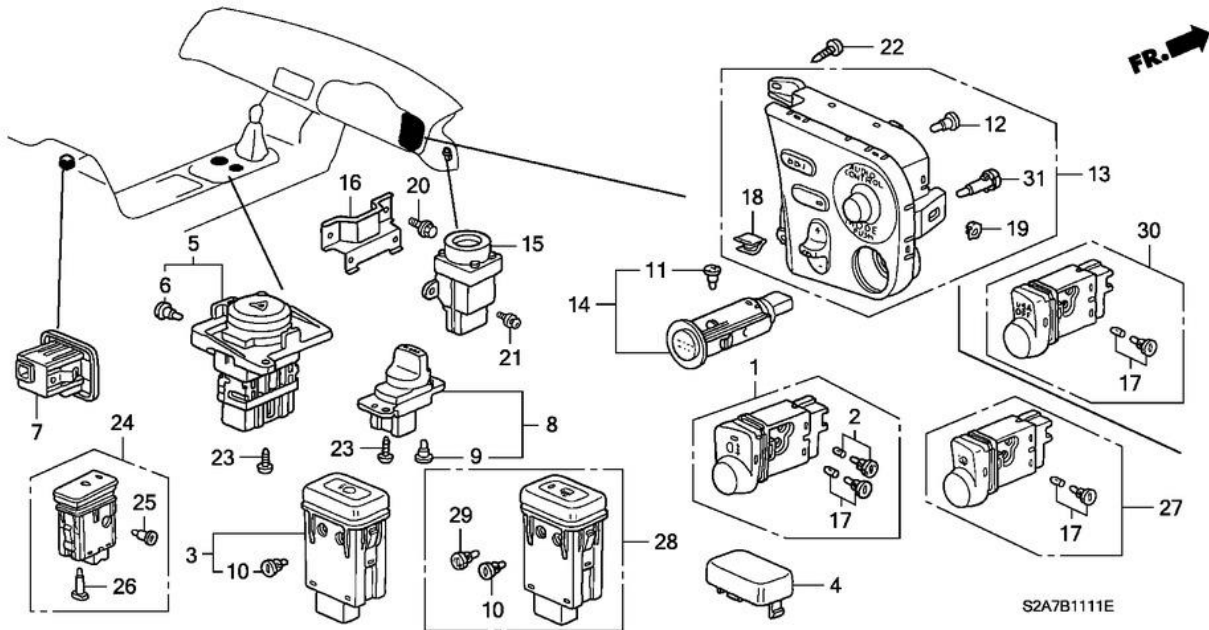
Ref	Part No	Honda Part No	Description	Price (Each)	Req Qty
1	PFKL517346	34250SL4003ZQ	LIGHT ASSY., INTERIOR *NH167L*	£190.52	1
2	PFKL517476	34251SL4003	LENS	£14.09	1
3	PFKL517780	34260SW5003	LIGHT ASSY., TRUNK ROOM	£32.46	1
4	PFKL519500	34901S6DG01HE	BULB (12V 5W) (DAIICHI)	£3.92	1
5	PFKL518144	34295SD4003	BULB (12V 5W) (DAIICHI)	£5.71	2
6	PFKL985399	90132SZ3003	SCREW, ET, 6X16	£0.00	0
6	PFKL985579	90134S30003	SCREW, EARTH, 5X18	£3.88	2

B-11 COMBINATION SWITCH



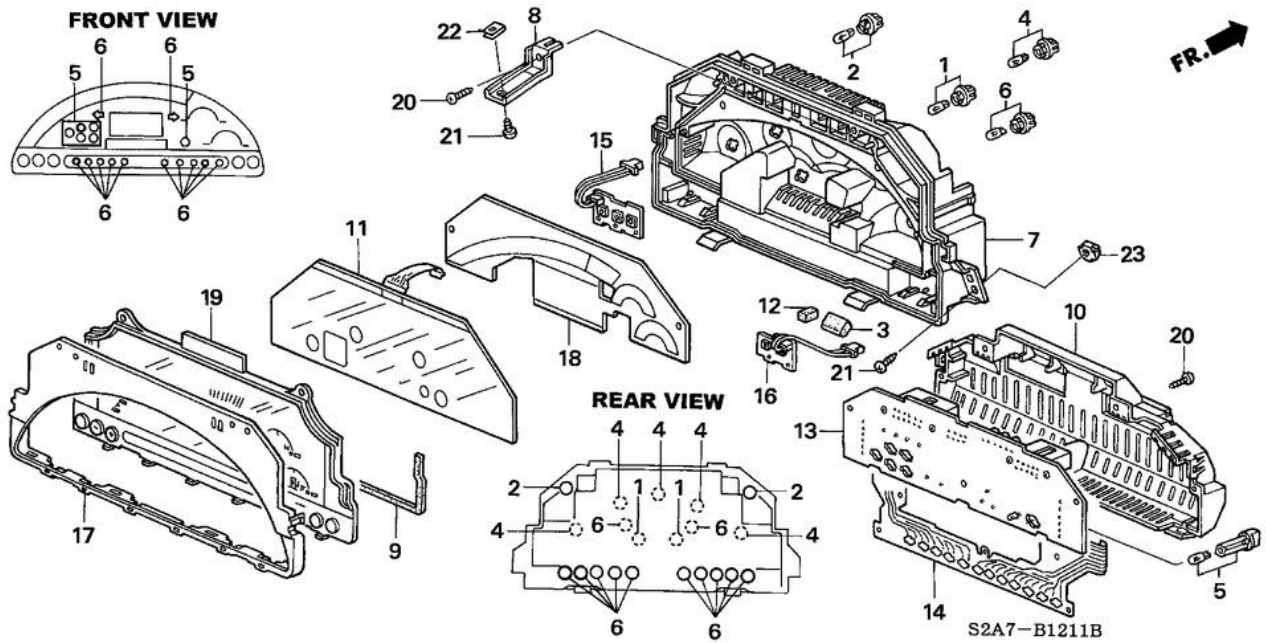
Ref	Part No	Honda Part No	Description	Price (Each)	Req Qty
1	PFKL2063204	06350S2AE51ZA	CYLINDER SET, KEY *NH167L*	£880.92	1
2	PFKL525034	35100S2AE51	LOCK ASSY., STEERING	£0.00	1
3	PFKL525973	35102SV4003	BOLT, BREAK HEAD	£4.70	2
4	PFKL525994	35103S04003	SCREW, RECESSED	£7.51	2
5	PFKL526127	35108S30003	HOLDER, COLUMN	£6.26	1
8	PFKL527369	35130S2A003	SWITCH COMP., STEERING	£62.58	1
9	PFKL531029	35251S2HJ02	BODY, SWITCH	£42.05	1
10	PFKL531282	35255S3YG02	SWITCH ASSY., LIGHTING & TURN	£112.33	1
11	PFKL531444	35256S2AA02	SWITCH ASSY., WIPER	£110.44	1
12	PFKL532874	35400S0XA01	SWITCH ASSY., DOOR	£24.19	2
13	PFKL571588	39730S2AG01	IMMOBILIZER UNIT	£219.26	1
14	PFKL776080	72118ST7003	SCREW, TAPPING, 3X5	£4.18	4
15	PFKL778824	72146S5AG01	COVER, BATTERY	£8.77	2
16	PFKL778959	72147S9AG01	TRANSMITTER ASSY., KEYLESS	£147.44	2
17	PFKL779055	72148S10003	BATTERY (CR2025)	£6.44	2
18	PFKL779110	72149S10003	O-RING	£5.93	2
19	PFKL985401	90132S0XA11	SCREW, ET, 5.5X18	£0.00	0
19	PFKL985400	90132S0XA01	SCREW, ET, 5X18	£3.88	2
20	PFKL1012597	91540S30003	CLIP, HARNESS BAND (NATURAL) (151.5MM)	£5.51	1
21	PFKL1019568	938910501208	SCREW-WASHER, 5X12	£1.56	3
22	PFKL1020262	9390132420	SCREW, TAPPING, 3X16	£1.49	4
23	PFKL526304	35111S2A307	KEY COMP., IMMOBILIZER (MAIN) (BLANK)	£212.93	1
24	PFKL526273	35111SLJ306	KEY, BLANK (BLACK) (IMMOBILIZER)	£43.69	1
24	PFKL526320	35111S9A408	KEY, BLANK (MAIN)(BLACK)	£29.59	2

B-11-11 SWITCH (RH)



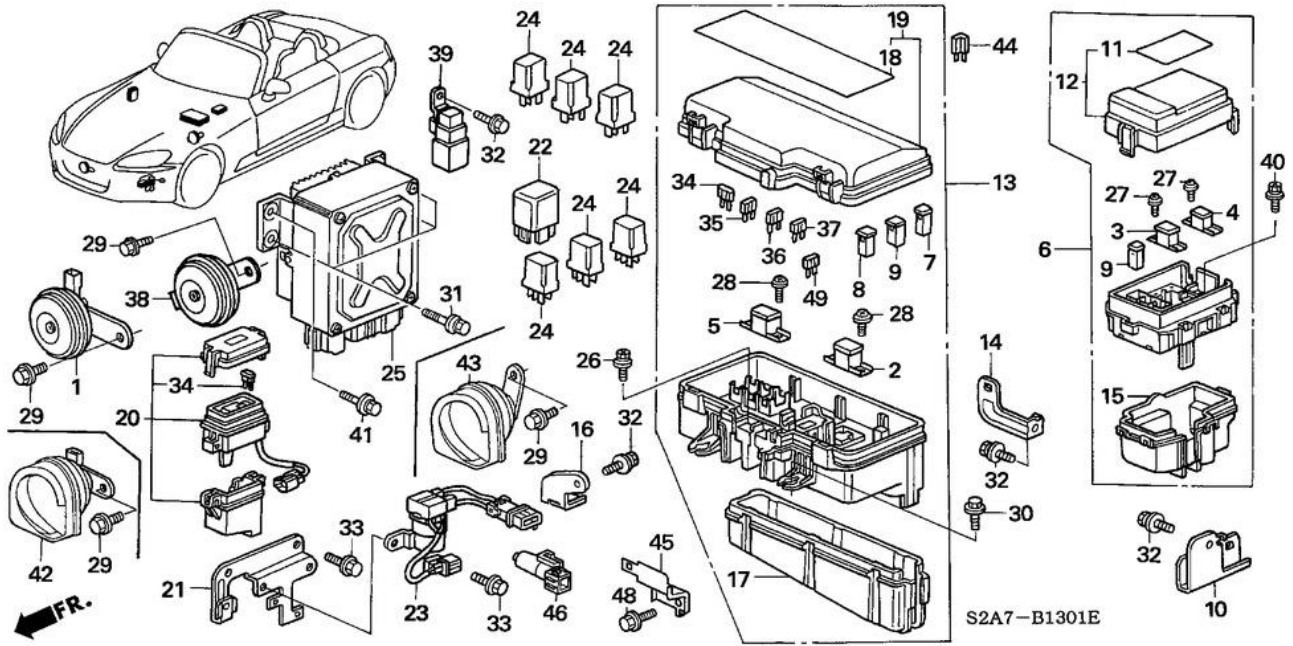
Ref	Part No	Honda Part No	Description	Price (Each)	Req Qty
1	PFKL528498	35170S2AG01	SWITCH ASSY., RR. FOG	£0.00	1
2	PFKL528522	35171S2A003	BULB COMP. (14V 65MA)	£7.24	1
5	PFKL533488	35510S2AZ01	SWITCH ASSY., HAZARD	£66.17	1
6	PFKL535679	35850S2A003	BULB COMP. (14V 60MA)	£7.24	1
7	PFKL535207	35800SL0003ZJ	SWITCH ASSY., TRUNK OPENER *NH167L*	£0.00	1
8	PFKL535447	35830S2A003ZA	SWITCH ASSY., POWER SOFT TOP *NH167L*	£79.33	1
9	PFKL535479	35831S2A003	BULB COMP. (14V 40MA)	£8.64	1
11	PFKL2154756	35851S2A505	BULB COMP. (14V 0.56W)	£7.24	1
12	PFKL2154757	35855S2A505	BULB COMP. (14V 0.56W)	£7.24	4
13	PFKL536021	35880S2A922	SWITCH ASSY., RADIO REMOTE	£0.00	1
14	PFKL536034	35881S2A911	SWITCH ASSY., ENGINE START	£103.74	1
15	PFKL536069	35910S04G01	SWITCH ASSY., INERTIA	£51.02	1
16	PFKL536071	35912SN7G00	BRACKET, INERTIA SWITCH	£0.00	1
17	PFKL541039	36776S2A003	BULB COMP. (14V 65MA)	£7.24	1
18	PFKL998722	90666SM4003	CLIP, SNAP FITTING	£3.78	1
19	PFKL1014444	91640SM4003	GROMMET, SCREW, 4MM	£4.96	1
20	PFKL1017293	934030601208	BOLT-WASHER, 6X12	£2.21	2
21	PFKL1019568	938910501208	SCREW-WASHER, 5X12	£1.56	2
22	PFKL1020805	9391314220	SCREW, TAPPING, 4X12	£1.49	3
23	PFKL1020814	9391314480	SCREW, TAPPING, 4X16 (PO)	£1.13	4
24	PFKL533326	35500S2AG02	SWITCH ASSY., RR. DEFOGGER & HEATED MIRROR	£74.39	1
25	PFKL535678	35850S2AQ01	BULB COMP. (14V 60MA)	£7.24	1
26	PFKL536035	35881S84T01	BULB (14V 60MA)	£7.09	1
31	PFKL2154758	35855S2A506	BULB COMP. (14V 0.56W)	£6.00	1

B-12-11 METER COMPONENTS (NS) ('04-)



Ref	Part No	Honda Part No	Description	Price (Each)	Req Qty
1	PFKL543640	37103SD2003	BULB & SOCKET (14V 3W) (NS) (SOCKET:GRAY)	£8.24	2
2	PFKL543645	37103S2A003	SOCKET ASSY., BULB (3W T6.5) (CAP:BLUE)	£7.24	2
3	PFKL544316	37115SA0601	PACKING (NS)	£6.86	2
4	PFKL855542	78101S2A003	SOCKET ASSY., BULB (2W T5) (SOCKET:RED)	£7.24	5
5	PFKL855601	78102S2A003	SOCKET ASSY., BULB (1.12W T5) (LONG TYPE)	£8.12	4
6	PFKL855630	78103S2A003	SOCKET ASSY., BULB (1.12W T5) (SOCKET:GRAY)	£7.24	12
7	PFKL856122	78110S2AJ03	CASE ASSY.	£0.00	1
8	PFKL856301	78113S2A003	BRACKET	£0.00	2
9	PFKL856307	78114S2A003	PACKING	£0.00	1
10	PFKL856620	78116S2A013	COVER	£0.00	1
11	PFKL858027	78130S2AE01	LCD ASSY.	£781.46	1
12	PFKL858079	78131S2A003	PACKING, LCD	£7.42	4
13	PFKL858383	78146S2AE04	PANEL, COMBINATION PRINT	£0.00	1
14	PFKL858448	78147S2AA02	PANEL, PRINT (1)	£0.00	1
15	PFKL858450	78147S2A013	PANEL, L. PRINT SWITCH	£0.00	1
16	PFKL858462	78148S2A013	PANEL, R. PRINT SWITCH	£0.00	1
17	PFKL858803	78155S2A013	VISOR	£0.00	1
18	PFKL858874	78159S2AJ01	PLATE, DIFFUSION	£53.18	1
19	PFKL859211	78170S2AE03	LENS ASSY., METER	£112.45	1
20	PFKL979727	90102SB2003	SCREW, TAPPING, 4X14	£0.00	5
21	PFKL1020634	9390344380	SCREW, TAPPING, 4X12	£1.49	4
22	PFKL989319	90302SA4003	NUT, SPRING, 4MM	£7.42	2
23	PFKL1014444	91640SM4003	GROMMET, SCREW, 4MM	£4.96	2

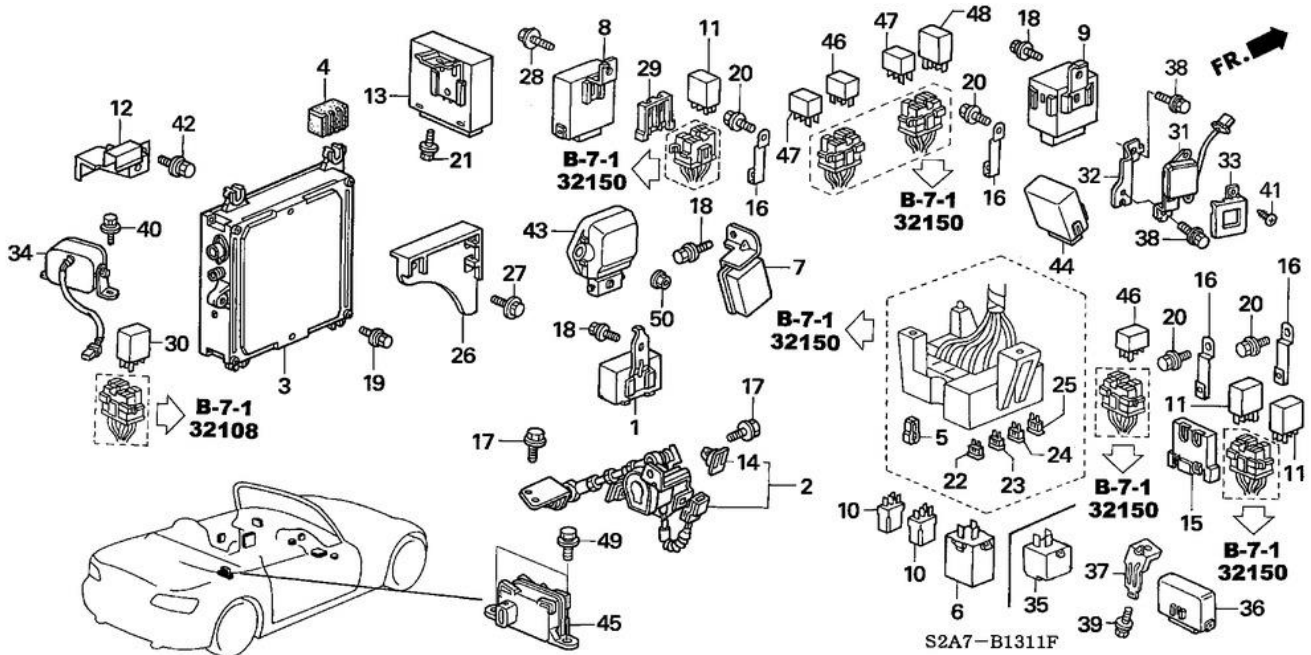
B-13-1 CONTROL UNIT(ENGINE ROOM) (RH)



Ref	Part No	Honda Part No	Description	Price (Each)	Req Qty
2	PFKL557789	38212SM4003	FUSE, BLOCK (40A)	£14.26	1
3	PFKL557804	38214SS1003	FUSE, BLOCK (60A)	£16.58	1
4	PFKL557965	38215SX8003	FUSE, BLOCK (70A)	£12.07	1
5	PFKL558019	38218SM4003	FUSE, BLOCK (100A)	£11.75	1
6	PFKL558184	38230S2AE01	BOX ASSY., SUB FUSE	£0.00	1
7	PFKL558212	38231S04003	FUSE, BLOCK (30A)	£7.40	3
8	PFKL558213	38231S04961	FUSE, BLOCK (40A)	£5.08	2
9	PFKL558216	38231S10003	FUSE, BLOCK (20A)	£7.92	3
10	PFKL558217	38231S2A000	STAY, SUB FUSE BOX	£8.14	1
11	PFKL558235	38233S2AE01	LABEL, FUSE	£0.00	1
12	PFKL558239	38234S2AE01	COVER, UPPER	£17.59	1
13	PFKL558607	38250S2AG03	BOX ASSY., RELAY	£0.00	1
14	PFKL558767	38251S2A000	BRACKET, RELAY BOX (A)	£8.16	1
15	PFKL558846	38252SX8T01	COVER, LOWER	£25.96	1
16	PFKL558854	38252S2A000	BRACKET, RELAY BOX (R.)	£0.00	1
17	PFKL559101	38255S0XA01	COVER, LOWER	£0.00	1
18	PFKL558960	38253S2AG01	LABEL, MAIN	£0.00	1
19	PFKL559048	38254S2AG01	COVER, UPPER	£13.12	1
20	PFKL559158	38260PCX003	CASE ASSY., FUSE	£45.13	1
21	PFKL559188	38261PCX000	BRACKET COMP., FUSE	£10.67	1
22	PFKL2054865	39792SL4003	RELAY ASSY., POWER (4P) (DENSO) (056700-7410)	£60.89	1
23	PFKL571865	39794PCX023	CONTACTOR ASSY.	£166.52	1
24	PFKL571903	39794S04014	RELAY ASSY., POWER (4P) (MICRO ISO) (MATSUSHITA)	£28.99	0
24	PFKL571901	39794S04003	RELAY ASSY., POWER (4P) (MICRO ISO) (MITSUBA)	£60.23	0
25	PFKL572394	39980S2A043	EPS UNIT	£1,331.88	1
26	PFKL982824	90114SM4900	BOLT, 6X15	£6.58	2
27	PFKL985048	90129SX8003	SCREW-WASHER, 5X12	£4.90	4

28	PFKL985049	90129S84000	SCREW-WASHER, 5X14	£0.00	4
29	PFKL986348	90150S84003	BOLT, EARTH, 8X16	£4.45	2
30	PFKL987848	90182SB6000	BOLT-WASHER, 6X16	£3.53	2
31	PFKL1017311	934030602008	BOLT-WASHER, 6X20	£2.21	3
32	PFKL1017477	934050601608	BOLT-WASHER, 6X16	£2.38	4
33	PFKL1028254	957010601208	BOLT, FLANGE, 6X12	£1.92	4
34	PFKL1032089	9820040750	FUSE, MINI (7.5A)	£1.92	0
35	PFKL1032090	9820041000	FUSE, MINI (10A)	£1.92	0
36	PFKL1032091	9820041500	FUSE, MINI (15A)	£1.92	0
37	PFKL1032092	9820042000	FUSE, MINI (20A)	£1.92	0
39	PFKL571845	39793SE3003	RELAY ASSY., POWER (5P) (058700-1081) (DENSO)	£56.32	1
40	PFKL985149	90130SR3003	BOLT, 5X13	£3.64	2
41	PFKL986282	90149SE0003	BOLT, EARTH, 6X16	£5.68	1
42	PFKL555159	38100S2AA02	HORN ASSY., LOW	£93.24	1
42	PFKL555159	38100S2AA02	HORN ASSY., LOW	£93.24	1
43	PFKL556216	38150S2A013	HORN ASSY., HIGH	£93.24	1
43	PFKL556216	38150S2A013	HORN ASSY., HIGH	£93.24	1
44	PFKL483724	32146SH3003	CONNECTOR, DIODE (2P)	£17.44	1
45	PFKL878097	80521S2A000	BRACKET, AMBIENT SENSOR	£10.67	1
46	PFKL878119	80525S30941	SENSOR ASSY., AMBIENT	£61.60	1
48	PFKL1017301	934030601605	BOLT-WASHER, 6X16	£2.21	1
48	PFKL1017300	934030601604	BOLT-WASHER, 6X16	£2.21	1

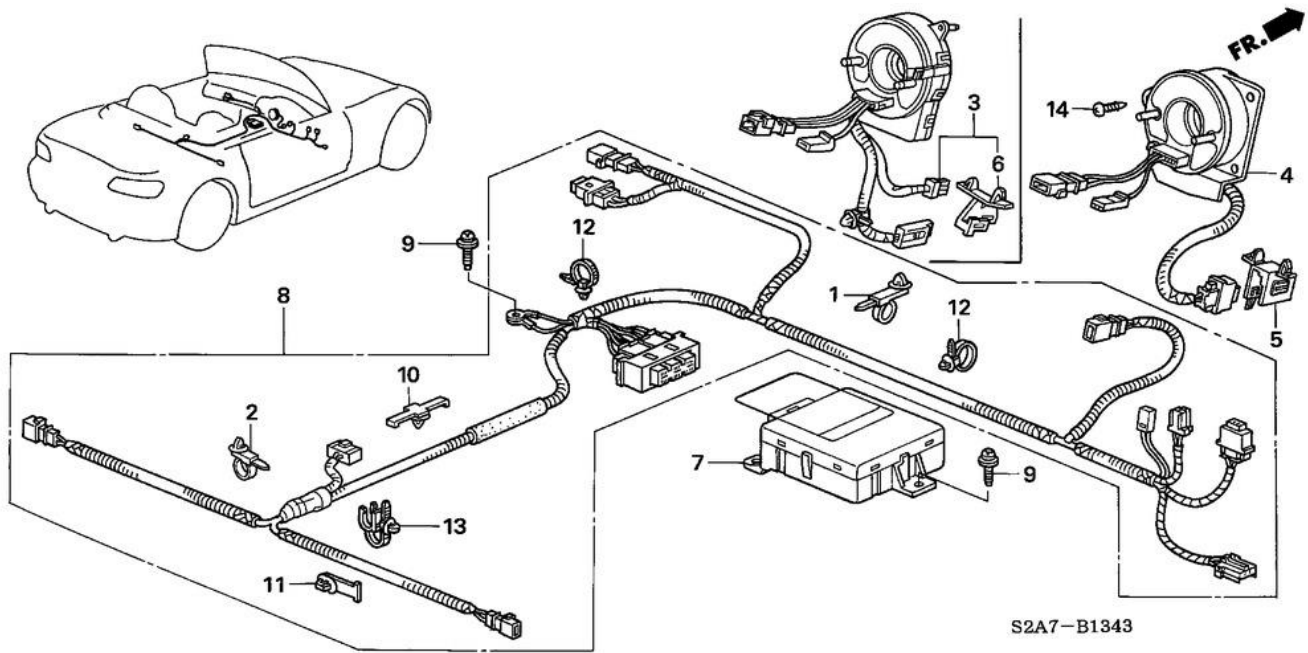
B-13-11 CONTROL UNIT (CABIN) (RH)



Ref	Part No	Honda Part No	Description	Price (Each)	Req Qty
1	PFKL497765	33137S2A003	CONTROL UNIT, AUTO LEVELING ELECTRONIC	£0.00	1
2	PFKL497950	33146S2AG01	SENSOR ASSY., HEADLIGHT ADJUSTER RR.	£346.80	1
3	PFKL2072137	37820PCXG08	CONTROL MODULE, ENGINE (REWITABLE)	£0.00	1
4	PFKL554418		RUBBER, CUSHION	£6.54	1
5	PFKL558254	37826P2A000	PULLER, MINI FUSE (TAIHEIYO)	£6.95	1
7	PFKL559763	38235SX8003	RELAY, CLEANER CONTROL	£187.70	1
8	PFKL559996	38310S84E01	CONTROL UNIT, DOOR & TRUNK LOCK & KEYLESS	£0.00	1
10	PFKL571903	38380S2AG11	RELAY ASSY., POWER (4P) (MICRO ISO) (MATSUSHITA)	£28.99	4
11	PFKL571905	39794S04014	RELAY ASSY., POWER (5P) (MICRO ISO) (MITSUBA)	£47.02	3
12	PFKL747816	39794S10003	BRACKET, ENGINE CONTROL MODULE	£0.00	1
13	PFKL947404	64533S2A300ZZ	CONTROL UNIT, SOFT TOP	£314.87	1
14	PFKL1013485	86500S2A003	CLIP, COUPLER (DARK GREEN)	£4.79	1
16	PFKL1014592	91565S0X003	BRACKET, RELAY BLOCK (ISO)	£0.00	4
17	PFKL1017247	91755S0010	BOLT-WASHER, 8X16	£1.91	4
18	PFKL1017303	934020801608	BOLT-WASHER, 6X16	£2.21	2
19	PFKL1017396	934030601608	BOLT-WASHER, 6X20	£1.92	2
20	PFKL1017303	934040602008	BOLT-WASHER, 6X16	£2.21	4
21	PFKL1028296	934030601608	BOLT, FLANGE, 6X20	£1.92	1
22	PFKL1032089	957010602008	FUSE, MINI (7.5A)	£1.92	0
23	PFKL1032090	9820040750	FUSE, MINI (10A)	£1.92	0
24	PFKL1032091	9820041000	FUSE, MINI (15A)	£1.92	0
25	PFKL1032092	9820041500	FUSE, MINI (20A)	£1.92	0
28	PFKL1017293	9820042000	BOLT-WASHER, 6X12	£2.21	1
30	PFKL571905	934030601208	RELAY ASSY., POWER (5P) (MICRO ISO) (MITSUBA)	£47.02	1
31	PFKL543390	39794S10003	SENSOR ASSY., MICROWAVE INTRUSION	£0.00	1
32	PFKL543460	37100S2AE02	BRACKET, MICROWAVE SENSOR	£0.00	1
33	PFKL543553	37101S2AE00	CASE, MICROWAVE SENSOR	£0.00	1

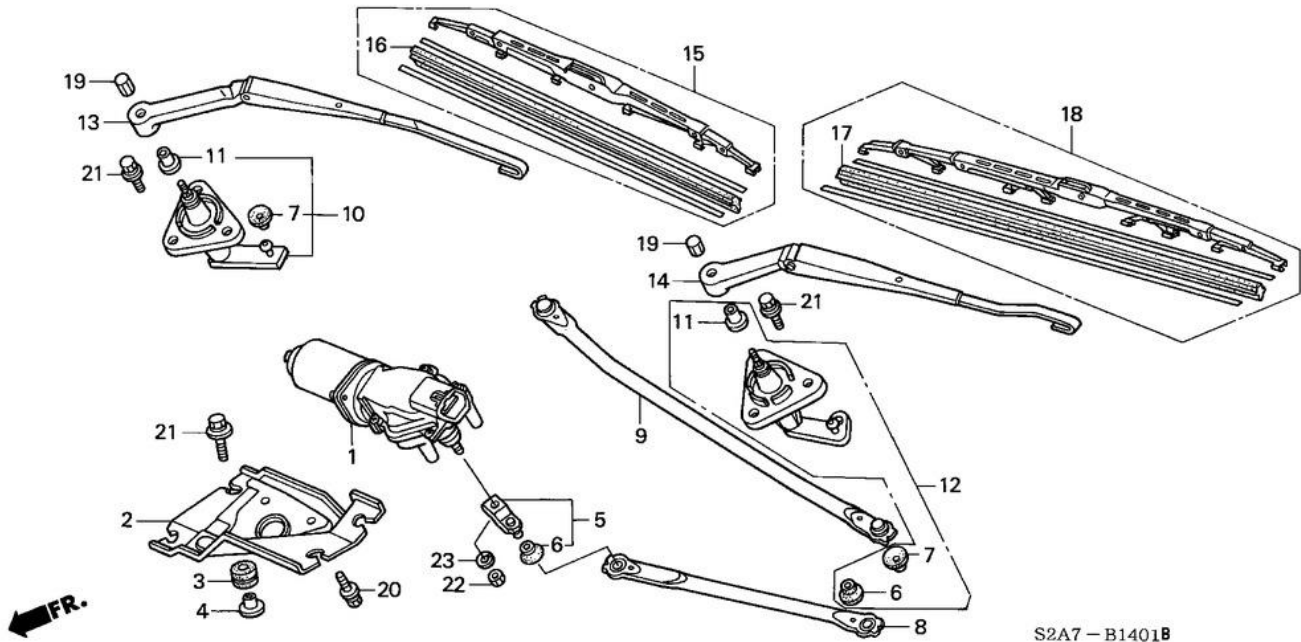
34	PFKL544168	37102S2A000	SIREN ASSY., ALARM CONTROL	£691.40	1
35	PFKL559312	37110S2AE01	RELAY ASSY., TURN SIGNAL & HAZARD (FR-3321) (MITSUBA)	£40.20	1
35	PFKL559312	38300S5T004	RELAY ASSY., TURN SIGNAL & HAZARD (066500-5080) (DENSO)	£40.20	1
36	PFKL572219	38300S5T004	SECURITY UNIT	£263.21	1
37	PFKL572224	39880S2AE01	BRACKET, SECURITY UNIT	£0.00	1
38	PFKL1017149	39881S2A000	BOLT-WASHER, 6X12	£1.92	2
39	PFKL1017288	934010601208	BOLT-WASHER, 6X10	£2.21	1
40	PFKL1017293	934030601008	BOLT-WASHER, 6X12	£2.21	2
41	PFKL1019554	934030601208	SCREW-WASHER, 5X8	£1.56	1
42	PFKL1017467	938910500808	BOLT-WASHER, 6X12	£2.21	2
43	PFKL554564	934050601208	DRIVER UNIT, DRIVE BY WIRE	£0.00	1
44	PFKL571559	37850PZXA01	IMOES UNIT	£112.44	1
45	PFKL572311	39720SAA013	SENSOR ASSY., CLUSTER	£901.25	1
46	PFKL571878	39960S2AA01	RELAY ASSY., POWER (MICRO ISO) (DENSO)	£28.54	2
46	PFKL571881	39794SDAA02	RELAY ASSY., POWER (MICRO ISO) (MITSUBA)	£28.54	2
47	PFKL571886	39794SDAA05	RELAY ASSY., ENGINE CONTROL MODULE (MITSUBA)	£28.54	2
47	PFKL571886	39794SDA902	RELAY ASSY., ENGINE CONTROL MODULE (DENSO)	£28.54	2
48	PFKL571907	39794SDA902	RELAY ASSY., FUEL PUMP (5P) (MITSUBA)	£27.58	1
48	PFKL571907	39794S5A003	RELAY ASSY., FUEL PUMP (5P) (DENSO)	£27.58	1
49	PFKL1017477	39794S5A003	BOLT-WASHER, 6X16	£2.38	2
50	PFKL1021328	934050601608	NUT, FLANGE, 6MM	£2.23	2

B-13-43 SRS UNIT (RH)('06-)



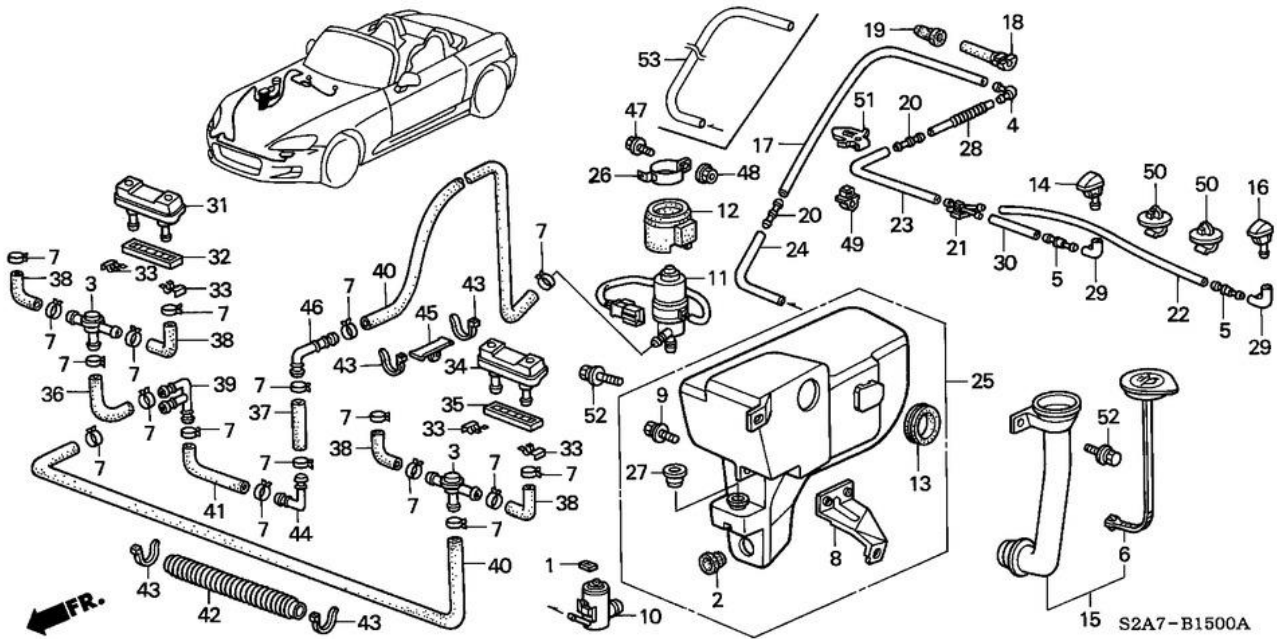
Ref	Part No	Honda Part No	Description	Price (Each)	Req Qty
1	PFKL483401	32132S6A003	BAND, WIRE HARNESS OFFSET (20) (DARK GREEN) (122.5MM)	£6.66	1
2	PFKL483423	32134SM4003	BAND, HARNESS OFFSET (10) (BROWN) (122.5MM)	£7.07	1
4	PFKL854165	77900S84G02	REEL ASSY., CABLE (FURUKAWA)	£187.30	1
5	PFKL854197	77907S04003	HOLDER, CONNECTOR (2P)	£7.19	1
7	PFKL854414	77960S2AE81	SRS UNIT	£631.81	1
8	PFKL854615	77961S2AN00	HARNESS, SRS MAIN	£491.40	1
9	PFKL985782	90137S84A01	BOLT, TORX EARTH, 6X20	£6.58	4
10	PFKL1012038	91507693003	CLIP, WIRE HARNESS (BLACK) (50MM) (HARNESS TAPING)	£4.36	1
11	PFKL1012469	91531S04003	CLIP, WIRE HARNESS (NATURAL) (44MM)	£3.48	1
12	PFKL1012597	91540S30003	CLIP, HARNESS BAND (NATURAL) (151.5MM)	£5.51	5
13	PFKL1013418	91563SF4003	BAND, WIRE HARNESS (WHITE) (100.5MM)	£6.36	3
14	PFKL1020814	9391314480	SCREW, TAPPING, 4X16 (PO)	£1.13	3

B-14-1 FRONT WINDSHIELD WIPER (RH)



Ref	Part No	Honda Part No	Description	Price (Each)	Req Qty
1	PFKL828942	76505S04Y01	MOTOR COMP., FR. WIPER (MITSUBA)	£225.61	1
2	PFKL828975	76507S2A003	BRACKET	£0.00	1
3	PFKL828983	76510SX0003	MOUNT, RUBBER (B)	£7.26	4
4	PFKL828988	76511SX0003	COLLAR (FLANGE)	£6.54	4
5	PFKL2519623	76520SCC003	LINK UNIT A	£27.80	1
6	PFKL829126	76524SD4003	DUST SEAL	£6.76	2
7	PFKL829128	76524SE0013	DUST SEAL	£8.89	2
8	PFKL829322	76540S2A003	ROD UNIT A	£15.52	1
9	PFKL829380	76550S2A003	ROD UNIT B	£32.68	1
10	PFKL829437	76560S2A003	PIVOT ASSY. C	£49.02	1
11	PFKL829458	76561S2H003	CAP B, PIVOT	£13.33	2
12	PFKL829505	76570S2A003	PIVOT ASSY. B	£49.02	1
13	PFKL829669	76600S2AE02	ARM, WINDSHIELD WIPER (DRIVER SIDE)	£68.09	1
14	PFKL829839	76610S2AE02	ARM, WINDSHIELD WIPER (PASSENGER SIDE)	£68.09	1
15	PFKL830040	76620S2AE03	BLADE, WINDSHIELD WIPER (400MM)	£16.18	1
16	PFKL830352	76632S7SJ01	RUBBER, BLADE (400MM)	£11.60	1
17	PFKL2311489	Y766AS6M003	RUBBER, BLADE (500MM)	£13.19	1
18	PFKL830278	76630S2A023	BLADE, WINDSHIELD WIPER (500MM)	£16.18	1
19	PFKL988282	90201SK7000	NUT, HEX. CAP, 10MM	£7.48	2
20	PFKL1017229	934020601408	BOLT-WASHER, 6X14	£1.92	3
21	PFKL1017484	934050602008	BOLT-WASHER, 6X20	£2.21	10
22	PFKL1021072	94002080800S	NUT, HEX., 8MM	£1.56	1
23	PFKL1021546	9411108800	WASHER, SPRING, 8MM	£1.42	1

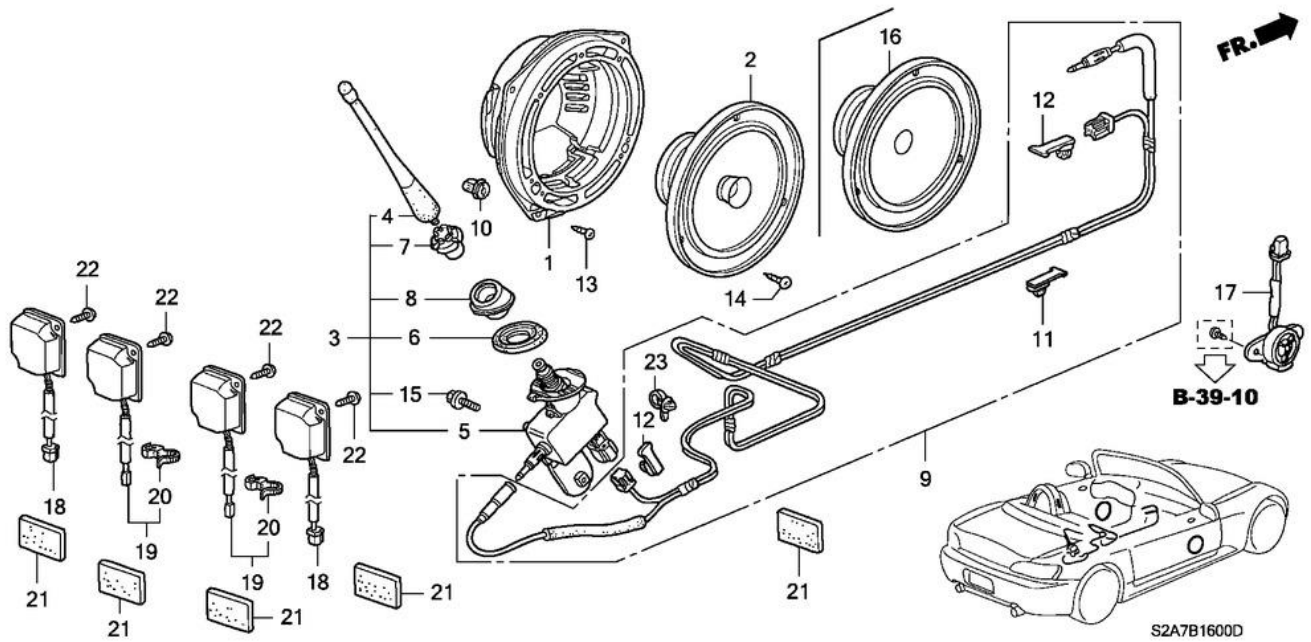
B-15 WINDSHIELD WASHER



Ref	Part No	Honda Part No	Description	Price (Each)	Req Qty
1	PFKL562152	38516SA5671	PACKING (T-TYPE) (MITSUBA)	£4.90	1
2	PFKL562159	38519SB0003	BUSH, WASHER TANK (MITSUBA)	£7.04	1
3	PFKL562449	38545692731	VALVE, CHECK	£44.11	2
4	PFKL562587	38562SA0003	JOINT L, WASHER TUBE (MITSUBA)	£9.60	1
5	PFKL562640	38571SA5621	VALVE, ONE WAY (MITSUBA)	£12.88	2
6	PFKL831031	76802S2AG01	CAP, MOUTH	£12.19	1
7	PFKL831033	76803SE1S03	CLIP, WASHER HOSE	£4.43	18
8	PFKL831040	76803S2AG01	BRACKET	£17.93	1
9	PFKL831053	76804S2AG01	BOLT-WASHER	£6.58	2
10	PFKL831156	76806SLOE11	MOTOR, WASHER (HIGH) (MITSUBA)	£64.26	1
11	PFKL831164	76806SM5G03	PUMP, WASHER	£130.18	1
12	PFKL831202	76807SM5G03	COVER	£13.26	1
13	PFKL831221	76809SZ3A01	SEAL, PACKING	£8.26	1
14	PFKL831711	76810S2A003ZU	NOZZLE ASSY., R. WINDSHIELD WASHER *YR564M*	£0.00	1
14	PFKL831707	76810S2A003ZP	NOZZLE ASSY., R. WINDSHIELD WASHER *B523P*	£20.83	1
14	PFKL831708	76810S2A003ZR	NOZZLE ASSY., R. WINDSHIELD WASHER *NH676M*	£22.24	1
14	PFKL831709	76810S2A003ZS	NOZZLE ASSY., R. WINDSHIELD WASHER *Y65P*	£0.00	1
14	PFKL831710	76810S2A003ZT	NOZZLE ASSY., R. WINDSHIELD WASHER *B545P*	£20.83	1
14	PFKL2160999	76810S2AG01ZM	NOZZLE ASSY., R. WINDSHIELD WASHER *YR536P*	£20.83	1
14	PFKL831705	76810S2A003ZM	NOZZLE ASSY., R. WINDSHIELD WASHER *R508P*	£0.00	1
14	PFKL831704	76810S2A003ZL	NOZZLE ASSY., R. WINDSHIELD WASHER *NH609P*	£20.83	1
14	PFKL831702	76810S2A003ZH	NOZZLE ASSY., R. WINDSHIELD WASHER *B513M*	£22.24	1
14	PFKL831700	76810S2A003ZE	NOZZLE ASSY., R. WINDSHIELD WASHER *R510*	£22.24	1
14	PFKL832110	76815S2A003ZD	NOZZLE ASSY., R. WINDSHIELD WASHER *NH630M*	£22.24	1
14	PFKL832108	76815S2A003ZB	NOZZLE ASSY., R. WINDSHIELD WASHER *NH547*	£22.24	1
15	PFKL831857	76812S2AG01	HOSE ASSY. (HEADLIGHT WASHER)	£43.58	1
16	PFKL832122	76815S2A003ZU	NOZZLE ASSY., L. WINDSHIELD WASHER *YR564M*	£0.00	1

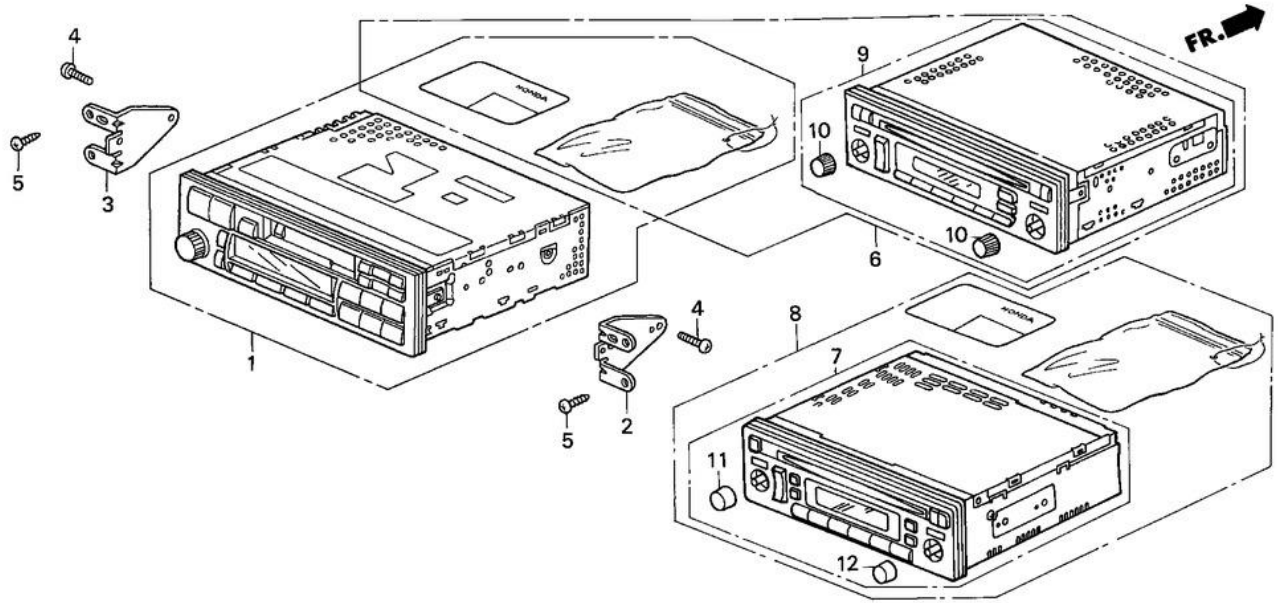
16	PFKL831710	76810S2A003ZT	NOZZLE ASSY., L. WINDSHIELD WASHER *B545P*	£20.83	1
16	PFKL831709	76810S2A003ZS	NOZZLE ASSY., L. WINDSHIELD WASHER *Y65P*	£0.00	1
16	PFKL831708	76810S2A003ZR	NOZZLE ASSY., L. WINDSHIELD WASHER *NH676M*	£22.24	1
16	PFKL831707	76810S2A003ZP	NOZZLE ASSY., L. WINDSHIELD WASHER *B523P*	£20.83	1
16	PFKL2160999	76810S2AG01ZM	NOZZLE ASSY., L. WINDSHIELD WASHER *YR536P*	£20.83	1
16	PFKL831705	76810S2A003ZM	NOZZLE ASSY., L. WINDSHIELD WASHER *R508P*	£0.00	1
16	PFKL831704	76810S2A003ZL	NOZZLE ASSY., L. WINDSHIELD WASHER *NH609P*	£20.83	1
16	PFKL831702	76810S2A003ZH	NOZZLE ASSY., L. WINDSHIELD WASHER *B513M*	£22.24	1
16	PFKL831700	76810S2A003ZE	NOZZLE ASSY., L. WINDSHIELD WASHER *R510*	£22.24	1
16	PFKL832110	76815S2A003ZD	NOZZLE ASSY., L. WINDSHIELD WASHER *NH630M*	£22.24	1
16	PFKL832108	76815S2A003ZB	NOZZLE ASSY., L. WINDSHIELD WASHER *NH547*	£22.24	1
18	PFKL832250	76820SE0003	GROMMET, WASHER TUBE	£7.92	1
19	PFKL832276	76820SL4003	GROMMET, TUBE WASHER	£11.11	1
20	PFKL832586	76829SM4003	JOINT I, WASHER	£9.20	1
21	PFKL832676	76830SM4003	JOINT Y, WASHER	£7.14	1
22	PFKL2340088	76800T0AP30	TUBE, L. NOZZLE	£7.27	1
23	PFKL2340088	76800T0AP30	TUBE, L. NOZZLE	£7.27	1
25	PFKL833110	76841S2AG01	TANK SET, WASHER	£119.98	1
26	PFKL833140	76845SP0E03	BRACKET, MOTOR	£9.76	1
27	PFKL833156	76847SM5G03	PACKING	£4.70	1
28	PFKL833229	76851SD5003	BELLOWS, RR. WASHER	£0.00	1
29	PFKL833266	76852SL0003	JOINT, WASHER (L)	£15.44	2
30	PFKL2337882	76800T0AP00	TUBE B	£6.95	1
31	PFKL833456	76880S2AG11ZJ	NOZZLE ASSY., R. HEADLIGHT WASHER *R508P*	£79.08	1
31	PFKL833458	76880S2AG11ZL	NOZZLE ASSY., R. HEADLIGHT WASHER *YR536P*	£81.44	1
31	PFKL833459	76880S2AG11ZM	NOZZLE ASSY., R. HEADLIGHT WASHER *Y65P*	£81.44	1
31	PFKL833460	76880S2AG11ZN	NOZZLE ASSY., R. HEADLIGHT WASHER *B545P*	£81.44	1
31	PFKL833461	76880S2AG11ZP	NOZZLE ASSY., R. HEADLIGHT WASHER *YR564M*	£76.32	1
31	PFKL833462	76880S2AG11ZQ	NOZZLE ASSY., R. HEADLIGHT WASHER *NH609P*	£76.32	1
31	PFKL833457	76880S2AG11ZK	NOZZLE ASSY., R. HEADLIGHT WASHER *R510*	£81.44	1
31	PFKL833455	76880S2AG11ZH	NOZZLE ASSY., R. HEADLIGHT WASHER *NH676M*	£81.44	1
31	PFKL833454	76880S2AG11ZG	NOZZLE ASSY., R. HEADLIGHT WASHER *NH630M*	£81.44	1
31	PFKL833453	76880S2AG11ZE	NOZZLE ASSY., R. HEADLIGHT WASHER *NH547*	£81.44	1
31	PFKL833451	76880S2AG11ZB	NOZZLE ASSY., R. HEADLIGHT WASHER *B523P*	£81.44	1
31	PFKL833450	76880S2AG11ZA	NOZZLE ASSY., R. HEADLIGHT WASHER *B513M*	£81.44	1
33	PFKL833609	76882S2AG01	CLIP, HEADLIGHT WASHER NOZZLE	£8.03	4
34	PFKL833694	76885S2AG11ZL	NOZZLE ASSY., L. HEADLIGHT WASHER *YR536P*	£81.44	1
34	PFKL833695	76885S2AG11ZM	NOZZLE ASSY., L. HEADLIGHT WASHER *Y65P*	£81.44	1
34	PFKL833696	76885S2AG11ZN	NOZZLE ASSY., L. HEADLIGHT WASHER *B545P*	£81.44	1
34	PFKL833697	76885S2AG11ZP	NOZZLE ASSY., L. HEADLIGHT WASHER *YR564M*	£76.32	1
34	PFKL833698	76885S2AG11ZQ	NOZZLE ASSY., L. HEADLIGHT WASHER *NH609P*	£76.32	1
34	PFKL833693	76885S2AG11ZK	NOZZLE ASSY., L. HEADLIGHT WASHER *R510*	£81.44	1
34	PFKL833692	76885S2AG11ZJ	NOZZLE ASSY., L. HEADLIGHT WASHER *R508P*	£79.08	1
34	PFKL833691	76885S2AG11ZH	NOZZLE ASSY., L. HEADLIGHT WASHER *NH676M*	£81.44	1
34	PFKL833690	76885S2AG11ZG	NOZZLE ASSY., L. HEADLIGHT WASHER *NH630M*	£81.44	1
34	PFKL833689	76885S2AG11ZE	NOZZLE ASSY., L. HEADLIGHT WASHER *NH547*	£81.44	1

34	PFKL833687	76885S2AG11ZB	NOZZLE ASSY., L. HEADLIGHT WASHER *B523P*	£81.44	1
34	PFKL833686	76885S2AG11ZA	NOZZLE ASSY., L. HEADLIGHT WASHER *B513M*	£81.44	1
36	PFKL833899	76889S2AG01	HOSE	£6.44	1
37	PFKL833944	76892SS0S03	HOSE (115MM)	£10.09	1
38	PFKL833951	76892S10S01	HOSE B	£5.29	4
39	PFKL833952	76892S2AG01	JOINT	£10.54	1
40	PFKL833985	76893S2AG01	HOSE	£19.56	2
41	PFKL834005	76894SR3S03	HOSE D	£8.63	1
42	PFKL834009	76894S2AG01	PROTECTOR	£7.06	1
43	PFKL834024	76895S2AG01	CLAMP	£2.05	10
44	PFKL834031	76896SP0G03	JOINT	£7.61	1
45	PFKL834033	76896S2AG01	CLIP	£4.99	4
46	PFKL834044	76899S2AG01	JOINT	£8.82	1
47	PFKL983504	90118SM5G03	BOLT-WASHER, 6MM	£3.44	1
48	PFKL990462	90316SM5G03	NUT, HEX., 6MM	£3.55	1
49	PFKL997951	90652S2A003	CLIP, TUBE, 7MM	£2.94	1
50	PFKL1012335	91522SM4003	CLIP, TUBE & INSULATOR	£3.78	2
51	PFKL1012581	91539SS0003	CLIP, TUBE WASHER	£7.20	1
52	PFKL1017477	934050601608	BOLT-WASHER, 6X16	£2.38	3
53	PFKL2338176	76800T0AP40	TUBE C	£8.42	1



Ref	Part No	Honda Part No	Description	Price (Each)	Req Qty
1	PFKL566900	39112SM4000	BRACKET, FR. SPEAKER SEAL	£23.34	2
3	PFKL567880	39150S2AA01	ANTENNA ASSY., AUTO RADIO	£249.37	1
4	PFKL567997	39151S2HE01	ELEMENT, ANTENNA	£52.36	1
5	PFKL568087	39152S2AA01	BASE COMP., ANTENNA	£166.52	1
6	PFKL568149	39153S2A003	PAD	£9.94	1
7	PFKL568208	39154S2A003	NUT	£10.18	1
8	PFKL568365	39156S2A003	INSULATOR	£8.09	1
9	PFKL568510	39159S2A013	FEEDER, ANTENNA	£0.00	1
10	PFKL998552	90665SM4000	GROMMET, SCREW, 4MM (YELLOW)	£2.74	8
11	PFKL1012469	91531S04003	CLIP, WIRE HARNESS (NATURAL) (44MM)	£3.48	1
12	PFKL1012474	91531S84003	CLIP, WIRE HARNESS (NATURAL) (44MM) (WITH SEAL)	£5.83	2
13	PFKL1020653	9390345220	SCREW, TAPPING, 5X12	£1.49	8
14	PFKL1020845	9391324220	SCREW, TAPPING, 4X12	£1.49	6
15	PFKL1028277	957010601608	BOLT, FLANGE, 6X16	£1.92	1
16	PFKL567217	39120S2A901	SPEAKER ASSY. (MATSUSHITA) (16CM SINGLE CONE)	£77.12	2
17	PFKL567213	39120S2AA11	SPEAKER ASSY. (MATSUSHITA) (1 1/2" TWEETER)	£77.12	2
18	PFKL567214	39120S2AA51	SPEAKER ASSY. (PIONEER)(30MM)	£95.16	2
19	PFKL567215	39120S2AA61	SPEAKER ASSY. (PIONEER)(30MM)	£95.16	2
20	PFKL1012613	91541S6M003	CLIP, HARNESS BAND (BLACK) (140MM)	£4.38	2
21	PFKL1014645	91902SB2003	CUSHION, WIRE HARNESS (50X100)	£7.66	0
22	PFKL1020813	9391314420	SCREW, TAPPING, 4X16 (PO)	£1.49	8
23	PFKL1012597	91540S30003	CLIP, HARNESS BAND (NATURAL) (151.5MM)	£5.51	2

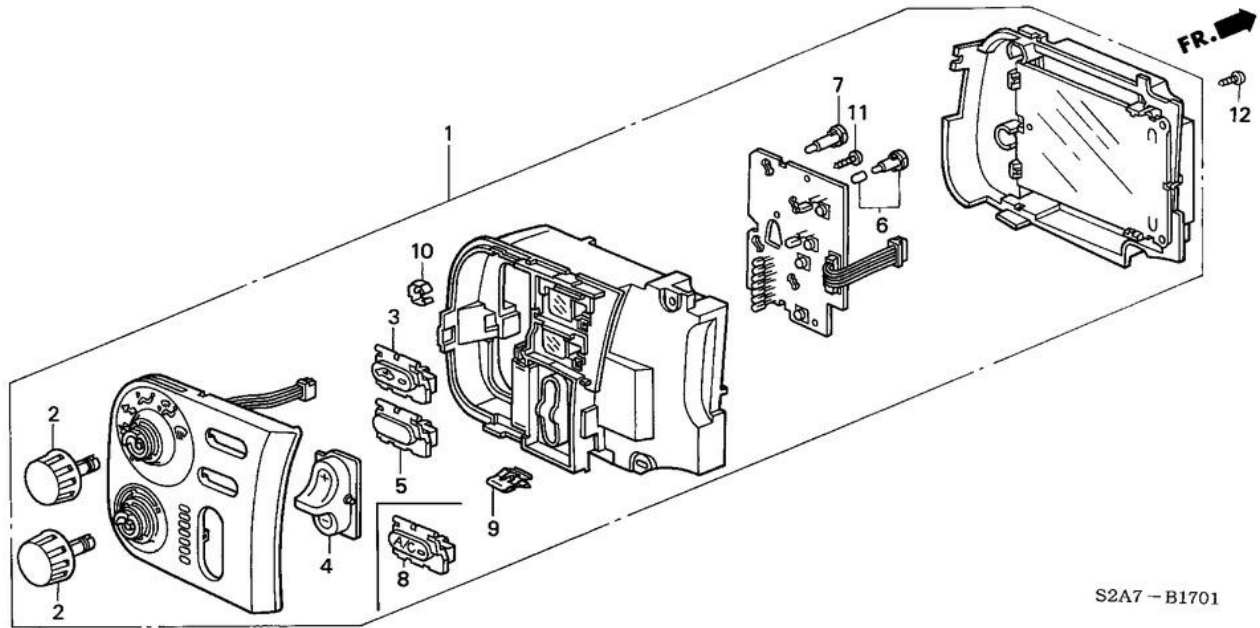
B-16-10 AUTO RADIO



S2A7-B1610B

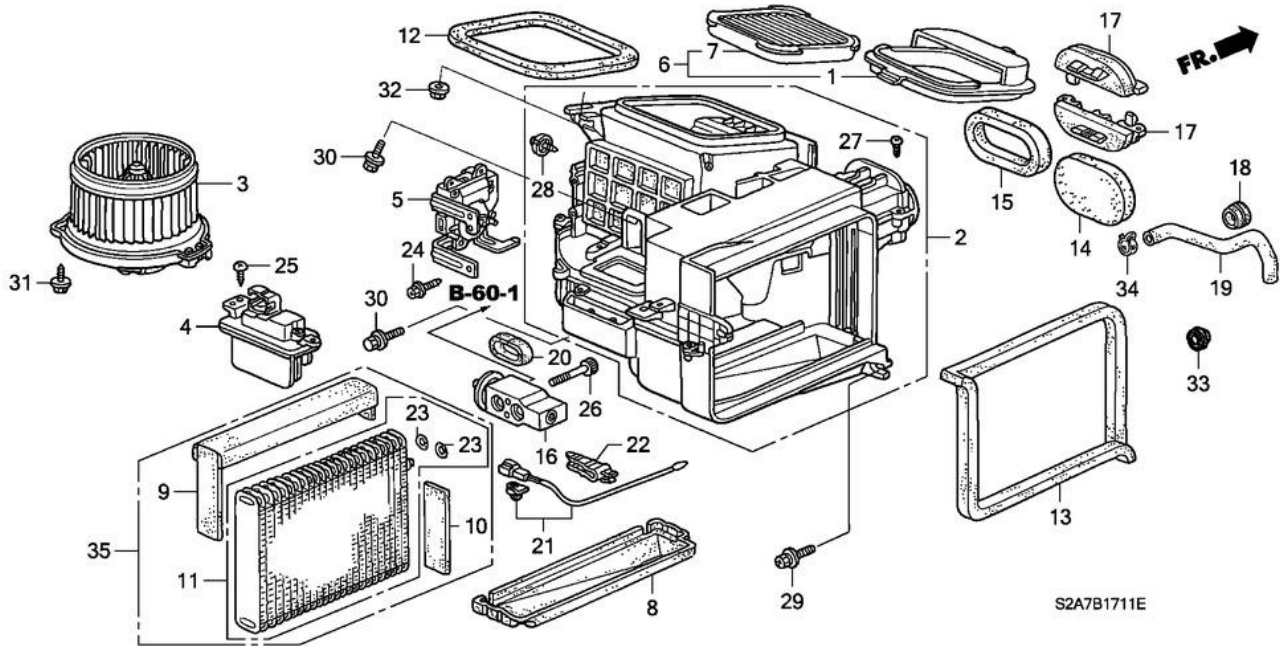
Ref	Part No	Honda Part No	Description	Price (Each)	Req Qty
2	PFKL566860	PFKL566860	BRACKET, R. RADIO	£6.18	1
3	PFKL568618	PFKL568618	BRACKET, L. RADIO	£6.18	1
4	PFKL1018441	PFKL1018441	SCREW, PAN, 5X8	£1.70	4
5	PFKL1020638	PFKL1020638	SCREW, TAPPING, 4X16	£1.49	4
8	PFKL566413	PFKL566413	TUNER ASSY., AUTO RADIO (PIONEER)(30WX4)	£1,450.98	1
11	PFKL566628	PFKL566628	KNOB, VOLUME	£0.00	1
12	PFKL566696	PFKL566696	KNOB (BASS/FADER) (TREBLE/BALANCE)	£0.00	1

B-17-1 HEATER CONTROL (RH)



Ref	Part No	Honda Part No	Description	Price (Each)	Req Qty
1	PFKL864375	79500S2A921	CONTROL ASSY., HEATER	£0.00	1
2	PFKL865057	79601S2A911	KNOB, TURN	£19.74	2
3	PFKL865102	79602S2A911	KNOB (REC)	£0.00	1
4	PFKL865240	79608S2A911	KNOB (FAN)	£15.40	1
6	PFKL865408	79628S2A003	BULB, NEO WEDGE (14V 100MA)	£5.78	2
7	PFKL865503	79670SL0A01	BULB, NEO WEDGE (14V 100MA)	£7.26	2
8	PFKL877466	80411S2A911	KNOB, AIR CONDITIONER	£17.15	1
9	PFKL998722	90666SM4003	CLIP, SNAP FITTING	£3.78	1
10	PFKL1014444	91640SM4003	GROMMET, SCREW, 4MM	£4.96	1
11	PFKL1020173	9390122320	SCREW, TAPPING, 3X12	£1.49	7
12	PFKL1020805	9391314220	SCREW, TAPPING, 4X12	£1.49	3

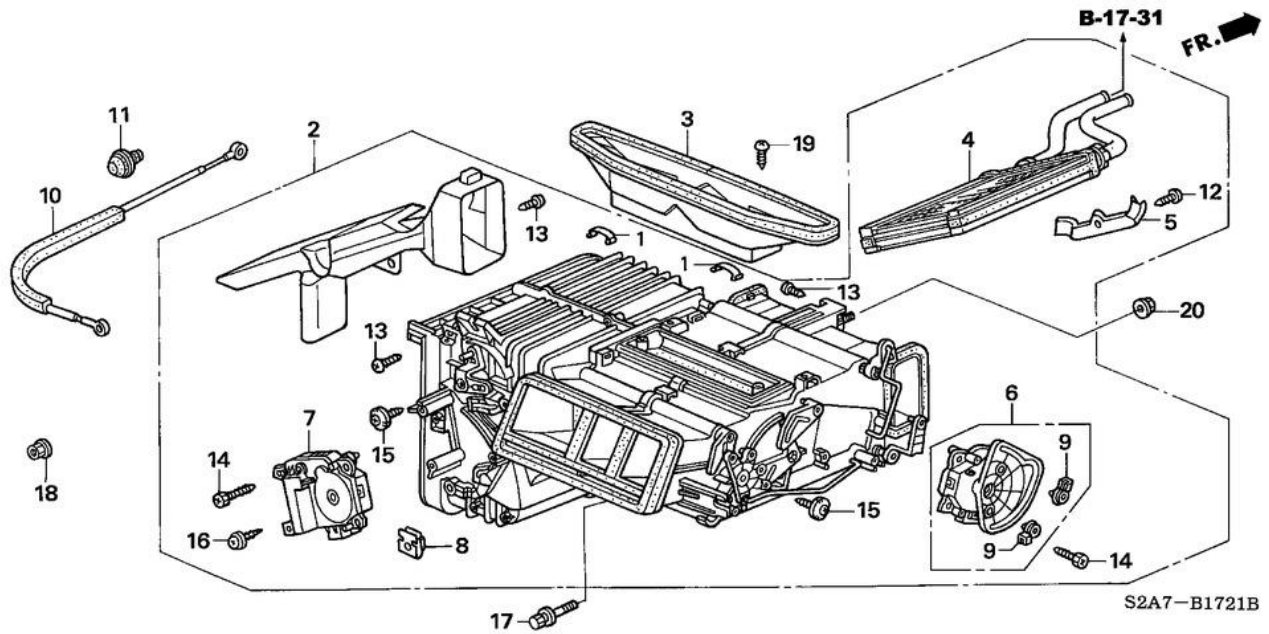
B-17-11 HEATER BLOWER (RH)



Ref	Part No	Honda Part No	Description	Price (Each)	Req Qty
1	PFKL800624	74221S2A003	SHELTER, AIR CONDITIONER	£21.64	1
2	PFKL863897	79305S2A003	BLOWER SUB ASSY.	£0.00	1
3	PFKL863991	79310S1AG01	MOTOR ASSY., FAN	£335.35	1
4	PFKL864091	79330S2A003	TRANSISTOR ASSY.	£206.78	1
5	PFKL864173	79350S2A003	MOTOR ASSY., FRESH & RECIRCULAR	£0.00	1
6	PFKL866129	79830S2A003	FILTER ASSY., HEATER	£24.00	1
7	PFKL866141	79831S2A003	FILTER	£24.00	1
8	PFKL873405	80204S2A003	INSULATOR, LOWER	£0.00	1
9	PFKL873440	80205S2A003	INSULATOR, EVAPORATOR UPPER	£0.00	1
10	PFKL873484	80206S2A003	INSULATOR, EVAPORATOR LOWER	£0.00	1
11	PFKL873939	80215S2A013	EVAPORATOR COMP.	£0.00	1
12	PFKL873996	80216S2A003	PACKING A	£13.09	1
13	PFKL874035	80217S2A003	PACKING B	£0.00	1
15	PFKL874073	80218S2A003	PACKING C	£0.00	1
16	PFKL874186	80220S2A013	VALVE ASSY., EXPANSION	£210.98	1
17	PFKL874318	80231S2A000	COVER A, EXPANSION VALVE	£8.32	2
18	PFKL874596	80272SF4000	GROMMET, DRAIN HOSE	£8.60	1
19	PFKL874615	80275S2A000	HOSE, DRAIN	£0.00	1
20	PFKL874695	80287S2A003	SEAL, EVAPORATOR OUTER	£7.27	1
21	PFKL878312	80560S2A003	THERMISTOR, AIR CONDITIONER	£29.14	1
22	PFKL878351	80566SW5003	CLAMP, EVAPORATOR SENSOR	£0.00	2
23	PFKL879099	80871ST7000	O-RING (5/8")	£4.85	2
24	PFKL983973	90121S2A003	SCREW, TAPPING	£0.00	2
25	PFKL984193	90122SR3003	SCREW, TAPPING, 5X12	£1.49	2
26	PFKL984321	90123S2A003	BOLT, SOCKET, 5X40	£0.00	2
27	PFKL984785	90127SX0003	SCREW, TAPPING, 4X16	£4.56	12
28	PFKL985475	90133SR3003	SCREW-WASHER, 4X16	£3.71	1

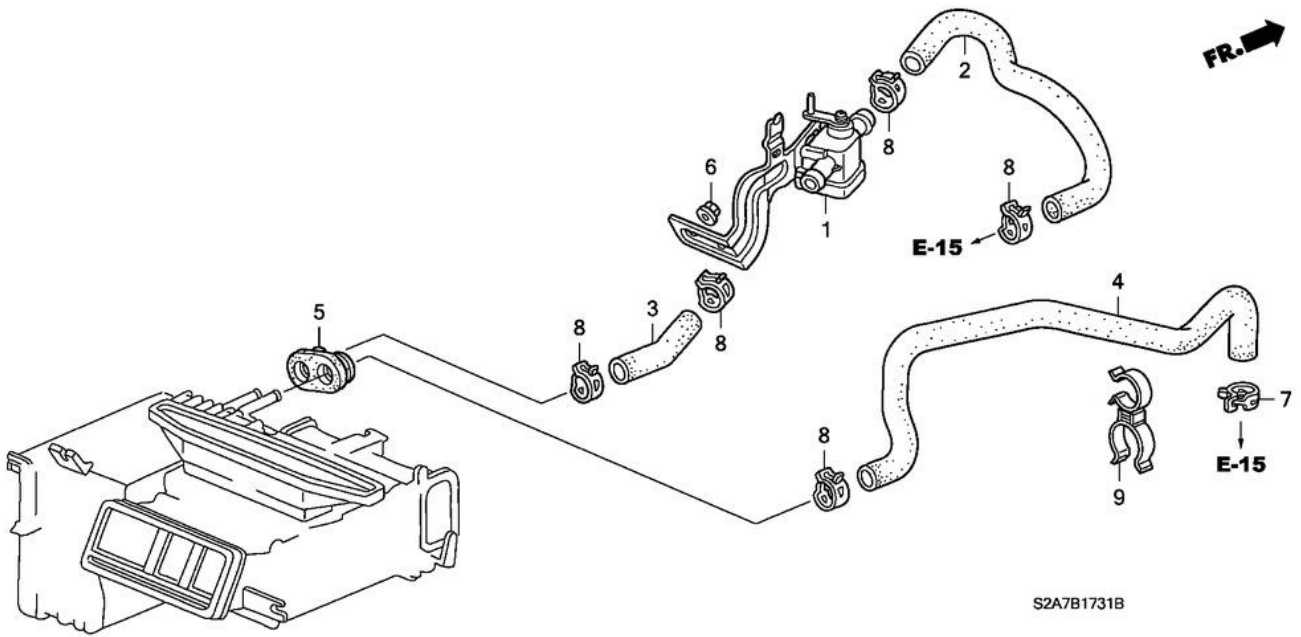
29	PFKL986676	90155SE0003	SCREW, TAPPING, 6X20	£4.32	1
30	PFKL982187	90111SEA000	BOLT-WASHER, 6X24	£4.57	3
31	PFKL1020713	9390435380	SCREW, TAPPING, 5X16	£1.06	3
32	PFKL990527	90321SV4003	NUT-WASHER, 6MM (PAINT CUTTING)	£6.01	2
34	PFKL998354	90661S2A003	CLIP, DRAIN HOSE	£4.60	1
35	PFKL873943	80215S2A316	EVAPORATOR KIT	£658.79	1

B-17-21 HEATER UNIT (RH)



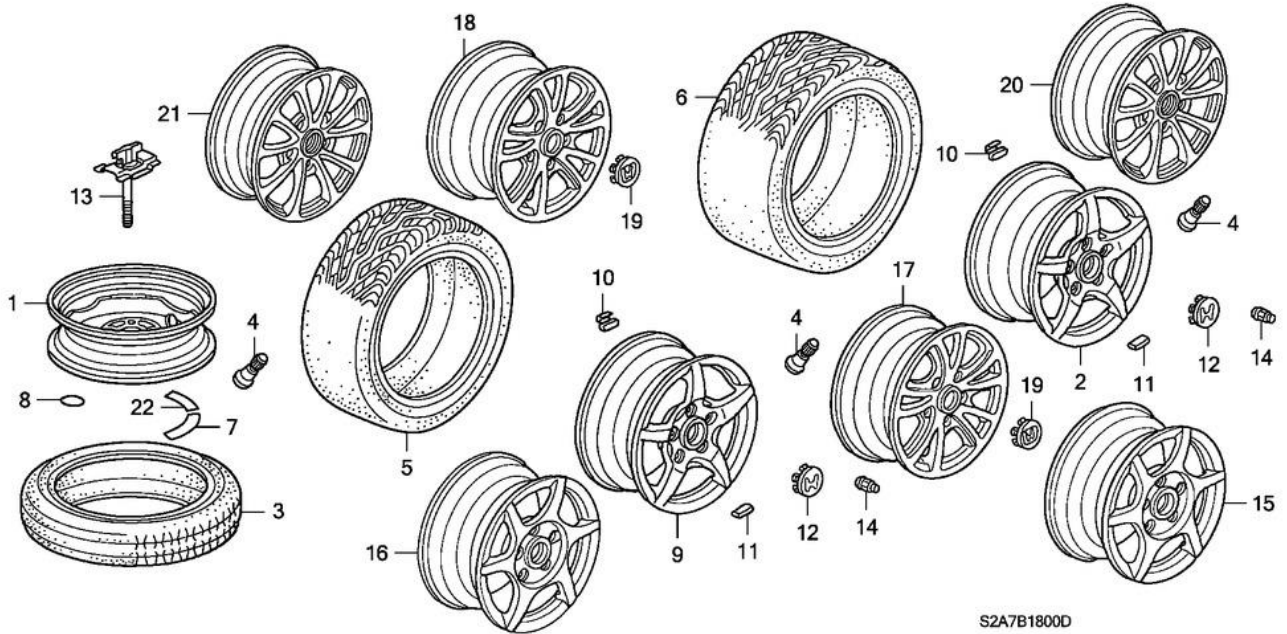
Ref	Part No	Honda Part No	Description	Price (Each)	Req Qty
1	PFKL569427	39246671003	CLAMP, CASE HOLD	£4.61	9
2	PFKL863153	79100S2A013	HEATER UNIT	£0.00	1
3	PFKL863237	79105S2A003	DEFROSTER, OUTLET	£0.00	1
4	PFKL863404	79110S2A003	CORE COMP., HEATER	£506.96	1
5	PFKL863443	79116S2A003	HOLDER	£0.00	1
6	PFKL863527	79140S2A003	MOTOR ASSY., MODE	£0.00	1
7	PFKL863605	79160S2A003	MOTOR ASSY., AIR MIX	£0.00	1
8	PFKL863677	79191S23A01	NUT, HOLDER	£0.00	1
9	PFKL863702	79195SF1003	HOLDER, ROD	£5.72	2
10	PFKL864702	79544S2A010	CABLE, WATER VALVE CONTROL	£0.00	1
11	PFKL866042	79770SE0000	GROMMET, WATER VALVE CABLE	£6.79	1
12	PFKL984193	90122SR3003	SCREW, TAPPING, 5X12	£1.49	1
13	PFKL984785	90127SX0003	SCREW, TAPPING, 4X16	£4.56	8
14	PFKL984790	90127S84003	SCREW, TAPPING, 4X16	£2.66	5
15	PFKL985475	90133SR3003	SCREW-WASHER, 4X16	£3.71	2
16	PFKL985483	90133S2A003	SCREW-WASHER, 4X16	£0.00	1
17	PFKL982187	90111SEA000	BOLT-WASHER, 6X24	£4.57	1
18	PFKL990527	90321SV4003	NUT-WASHER, 6MM (PAINT CUTTING)	£6.01	2
19	PFKL1020200	9390124420	SCREW, TAPPING, 4X16	£1.49	2
20	PFKL1021375	9407108080	NUT-WASHER, 8MM	£1.92	1

B-17-31 WATER VALVE (RH)



Ref	Part No	Honda Part No	Description	Price (Each)	Req Qty
1	PFKL865622	79710S2A003	VALVE ASSY., WATER	£0.00	1
2	PFKL865758	79721S2A010	HOSE A, WATER IN.	£36.22	1
3	PFKL865826	79722S2A000	HOSE B, WATER IN.	£11.64	1
4	PFKL865948	79725S2A000	HOSE, WATER OUTLET	£37.60	1
5	PFKL865993	79731SH3000	GROMMET, HEATER PIPE	£16.84	1
6	PFKL990828	90361SV4003	NUT, PAINT CUTTING, 6MM	£6.01	1
7	PFKL2073488	90661TK8A01	CLIP, WATER HOSE	£6.43	1
8	PFKL407021	19513PE0003	CLIP, WATER HOSE, 24MM	£5.47	5
9	PFKL1012612	91541S2A003	CLAMP, HEATER HOSE	£0.00	1

B-18 TIRE/WHEEL DISKS

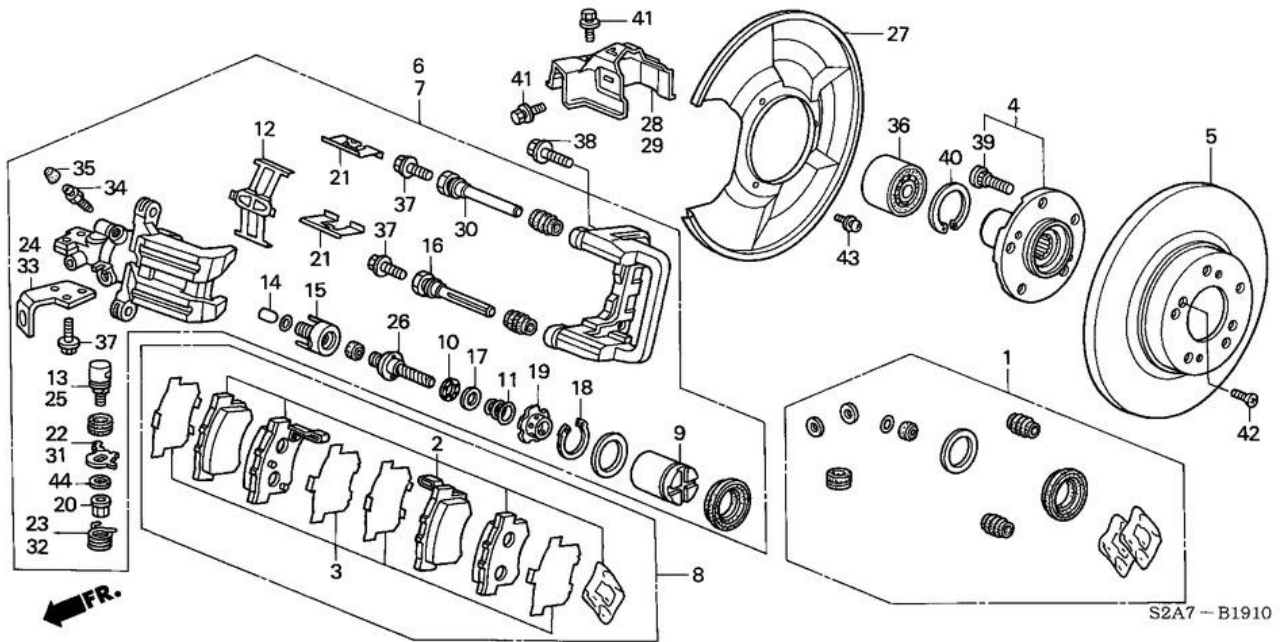


S2A7B1800D

Ref	Part No	Honda Part No	Description	Price (Each)	Req Qty
1	PFKL586059	42700S2AE02	DISK, WHEEL (16X4T) (RING TECHS)	£100.69	1
3	PFKL2072321	42751S2A904	TIRE (T125/70D16 96M) (BRIDGESTONE)	£0.00	1
4	PFKL589522	42753671003	VALVE, RIM (US PACIFIC)	£26.44	5
5	PFKL589557	42755S2AG33	TIRE, FR. (215/45R17 87W) (BRIDGESTONE)	£0.00	2
6	PFKL589628	42757S2AG53	TIRE (245/40R17 91W) (BRIDGESTONE)	£0.00	2
7	PFKL590195	42767SB0600	PLATE, SPARE TIRE CAUTION (T-TYPE) (ENGLISH)	£2.22	1
8	PFKL590200	42767SH3E00	PLATE, SPARE TIRE CAUTION (T-TYPE)	£2.18	1
10	PFKL606959	44727SEAJ02	WEIGHT, BALANCE (15G) (YAMATE)	£4.78	0
10	PFKL606906	44726SEAJ02	WEIGHT, BALANCE (5G) (YAMATE)	£3.91	0
10	PFKL606905	44726SEAJ01	WEIGHT, BALANCE (5G) (TOHO)	£3.95	0
10	PFKL607007	44728SEAJ01	WEIGHT, BALANCE (25G) (TOHO)	£5.90	0
10	PFKL607008	44728SEAJ02	WEIGHT, BALANCE (25G) (YAMATE)	£5.94	0
10	PFKL606795	44723SEAJ02	WEIGHT, BALANCE (30G) (YAMATE)	£6.19	0
10	PFKL606794	44723SEAJ01	WEIGHT, BALANCE (30G) (TOHO)	£6.23	0
10	PFKL607055	44729SEAJ01	WEIGHT, BALANCE (35G) (TOHO)	£6.73	0
10	PFKL607056	44729SEAJ02	WEIGHT, BALANCE (35G) (YAMATE)	£6.83	0
10	PFKL606743	44722SEAJ02	WEIGHT, BALANCE (20G) (YAMATE)	£5.28	0
10	PFKL606694	44721SEAJ02	WEIGHT, BALANCE (10G) (YAMATE)	£4.56	0
10	PFKL606693	44721SEAJ01	WEIGHT, BALANCE (10G) (TOHO)	£4.56	0
10	PFKL606958	44727SEAJ01	WEIGHT, BALANCE (15G) (TOHO)	£4.92	0
10	PFKL606742	44722SEAJ01	WEIGHT, BALANCE (20G) (TOHO)	£5.42	0
11	PFKL607009	44728SEAN01	WEIGHT, BALANCE (25G) (TOHO)	£5.90	0
11	PFKL607058	44729SEAN02	WEIGHT, BALANCE (35G) (TOHO ZINC)	£6.05	0
11	PFKL607010	44728SEAN02	WEIGHT, BALANCE (25G) (TOHO ZINC)	£5.29	0
11	PFKL606961	44727SEAN02	WEIGHT, BALANCE (15G) (TOHO ZINC)	£4.92	0
11	PFKL606960	44727SEAN01	WEIGHT, BALANCE (15G) (TOHO)	£4.92	0
11	PFKL607057	44729SEAN01	WEIGHT, BALANCE (35G) (TOHO)	£6.73	0

11	PFKL607105	44730SEAN02	WEIGHT, BALANCE (45G) (TOHO ZINC)	£6.98	0
11	PFKL607104	44730SEAN01	WEIGHT, BALANCE (45G) (TOHO)	£7.85	0
11	PFKL606908	44726SEAN02	WEIGHT, BALANCE (5G) (TOHO ZINC)	£2.56	0
11	PFKL606695	44721SEAN01	WEIGHT, BALANCE (10G) (TOHO)	£4.56	0
11	PFKL606696	44721SEAN02	WEIGHT, BALANCE (10G) (TOHO ZINC)	£4.56	0
11	PFKL606744	44722SEAN01	WEIGHT, BALANCE (20G) (TOHO)	£5.42	0
11	PFKL606745	44722SEAN02	WEIGHT, BALANCE (20G) (TOHO ZINC)	£5.42	0
11	PFKL606796	44723SEAN01	WEIGHT, BALANCE (30G) (TOHO)	£6.23	0
11	PFKL606797	44723SEAN02	WEIGHT, BALANCE (30G) (TOHO ZINC)	£5.58	0
11	PFKL606845	44724SEAN01	WEIGHT, BALANCE (40G) (TOHO)	£7.08	0
11	PFKL606846	44724SEAN02	WEIGHT, BALANCE (40G) (TOHO ZINC)	£6.22	0
11	PFKL606879	44725SEAN01	WEIGHT, BALANCE (50G) (TOHO)	£7.85	0
11	PFKL606880	44725SEAN02	WEIGHT, BALANCE (50G) (TOHO ZINC)	£3.10	0
11	PFKL606907	44726SEAN01	WEIGHT, BALANCE (5G) (TOHO)	£3.95	0
13	PFKL802515	74654S2A000	BOLT, ANCHOR	£17.58	1
14	PFKL989587	90304SA5013	NUT, WHEEL (CHROME PLATED) (FUUSE RASHI)	£7.92	20
19	PFKL607371	44732S2A921	CAP ASSY., ALUMINIUM WHEEL CENTER	£51.80	4
20	PFKL586056	42700S2AA81	DISK, RR. ALUMINIUM WHEEL (17X8 1/2J) (ENKEI)	£423.11	2
21	PFKL604979	44700S2AA81	DISK, FR. ALUMINIUM WHEEL (17X7J) (ENKEI)	£405.95	2

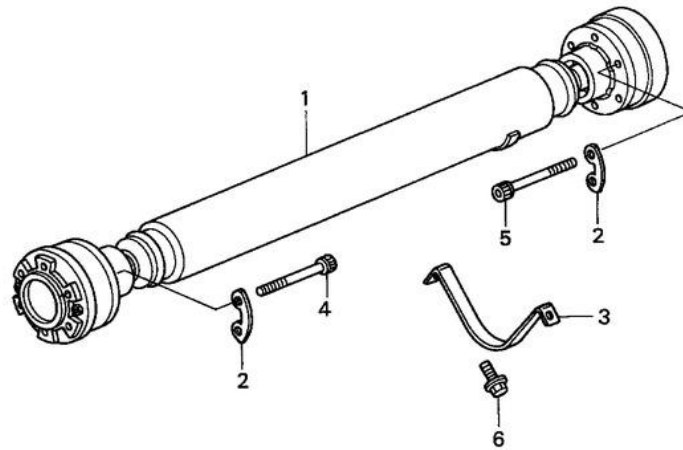
B-19-10 REAR BRAKE



Ref	Part No	Honda Part No	Description	Price (Each)	Req Qty
1	PFKL213423	01473S2A000	CALIPER SET, RR.	£75.80	2
2	PFKL231108	06430S2AE50	PAD SET, RR. (WITHOUT SHIM)	£0.00	1
3	PFKL231320	06435S2A000	SHIM SET, RR.	£18.41	1
4	PFKL581138	42210S2A000	HUB ASSY., RR.	£239.47	2
5	PFKL582653	42510S2A000	DISK, RR. BRAKE (16")	£76.64	2
6	PFKL590909	43018S2A013	CALIPER SUB ASSY., R. RR.	£235.30	1
7	PFKL590955	43019S2A013	CALIPER SUB ASSY., L. RR.	£235.30	1
8	PFKL591176	43022S2AE50	PAD SET, RR. (13CLP-15S,NF71GG)	£60.94	1
9	PFKL593942	43215S2A003	PISTON ASSY.	£63.38	2
10	PFKL593962	43223SD2932	BEARING A	£14.99	2
11	PFKL593963	43224SD2931	SPRING B, ADJUSTING	£7.09	2
12	PFKL593989	43227SG0013	SPRING, PAD	£13.82	2
13	PFKL593996	43228SD2933	SHAFT A	£28.45	1
14	PFKL594000	43229SD2931	ROD	£7.37	2
15	PFKL2109405	43233TR0A01	PISTON COMP., SLEEVE	£24.98	2
16	PFKL594170	43235S84A51	PIN A	£19.45	2
17	PFKL594175	43236S04003	SPACER	£5.78	2
18	PFKL594187	43238S2A003	RING, RETAINING	£8.21	2
19	PFKL594204	43241S2A003	SPRING, GUIDE	£0.00	2
20	PFKL594216	43243SD2931	NUT, PARKING	£5.60	2
21	PFKL594225	43244S23A01	RETAINER	£8.35	4
22	PFKL594246	43245S2A003	LEVER, R.	£15.24	1
23	PFKL594260	43246S2A003	SPRING, R. RETURN	£11.74	1
24	PFKL594284	43247S2A003	ARM, R.	£0.00	1
25	PFKL594294	43248SD2933	SHAFT B	£26.69	1
26	PFKL594303	43249S04003	BOLT, ADJUSTER	£13.39	2
27	PFKL594544	43253S2A000	GUARD, RR. SPLASH	£69.02	2

28	PFKL594665	43255S2A000	PROTECTOR, R. RR. CALIPER	£38.93	1
29	PFKL594704	43256S2A000	PROTECTOR, L. RR. CALIPER	£38.93	1
30	PFKL594716	43262S84A51	PIN B	£19.50	2
31	PFKL594735	43265S2A003	LEVER, L.	£0.00	1
32	PFKL594747	43266S2A003	SPRING, L. RETURN	£11.74	1
33	PFKL594770	43267S2A003	ARM, L.	£0.00	1
34	PFKL595713	43352SM4951	SCREW, BLEEDER	£7.60	2
35	PFKL595731	43353SD5003	CAP, BLEEDER SCREW	£5.90	2
36	PFKL2314939	44300S47305	BEARING ASSY., HUB (NTN)	£127.04	2
37	PFKL616321	45240SC2003	BOLT, FLANGE, 8X22	£8.27	8
38	PFKL980135	90103SV4013	BOLT, FLANGE, 10X30	£8.30	4
39	PFKL982626	90113S5H005	BOLT, WHEEL (SAGA)	£7.27	10
39	PFKL982626	90113S5H005	BOLT, WHEEL (NAGOYA RASHI)	£7.27	10
39	PFKL982626	90113S5H005	BOLT, WHEEL (ROCKNEL FASTENER)	£7.27	10
40	PFKL999666	90681SG0000	CIRCLIP, INTERNAL, 84MM	£16.69	2
41	PFKL1017293	934030601208	BOLT-WASHER, 6X12	£2.21	4
42	PFKL1019085	93600060140H	SCREW, FLAT, 6X14	£3.42	4
43	PFKL1019765	938920501208	SCREW-WASHER, 5X12	£1.56	6
44	PFKL1021552	9411110800	WASHER, SPRING, 10MM	£1.90	2

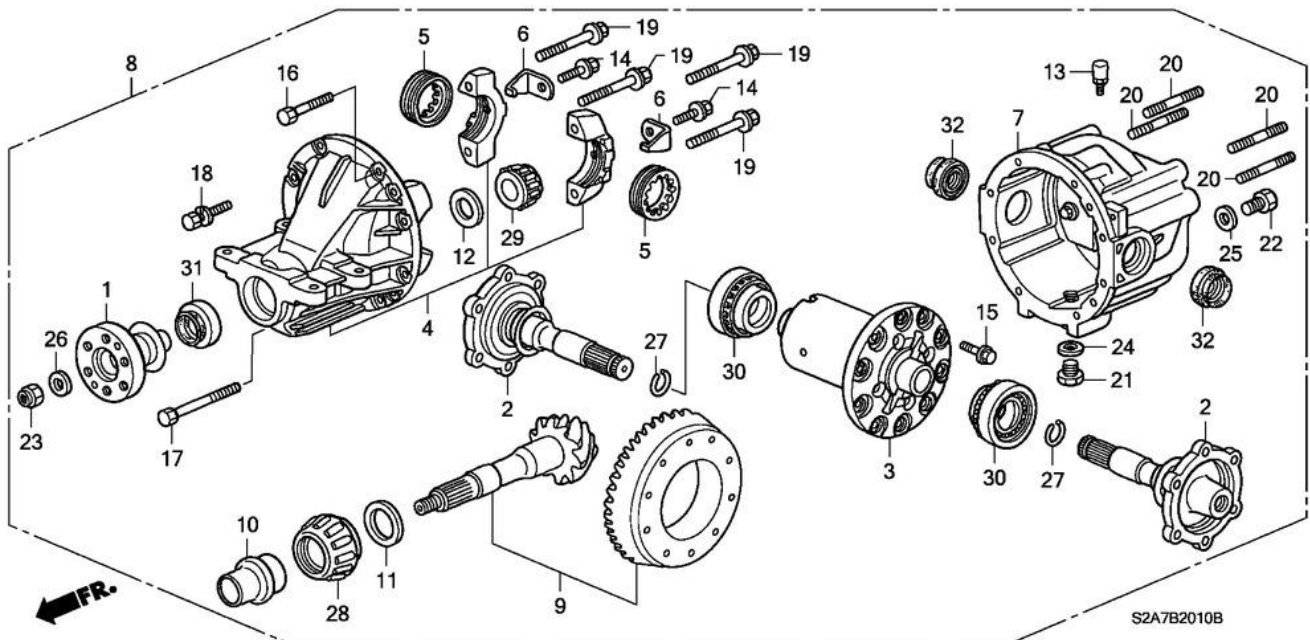
B-20 PROPELLER SHAFT



S2A7 - B2000

Ref	Part No	Honda Part No	Description	Price (Each)	Req Qty
1	PFKL572596	40100S2A024	SHAFT ASSY., PROPELLER	£2,703.49	1
2	PFKL572721	40140S2A008	WASHER	£4.96	6
3	PFKL575638	40540S2A000	PROTECTOR, SHAFT	£16.58	1
4	PFKL987862	90182S2A000	BOLT, SOCKET, 8X60	£6.95	6
5	PFKL987895	90183S2A000	BOLT, SOCKET, 8X65	£6.95	6
6	PFKL1028436	957010801408	BOLT, FLANGE, 8X14	£2.21	2

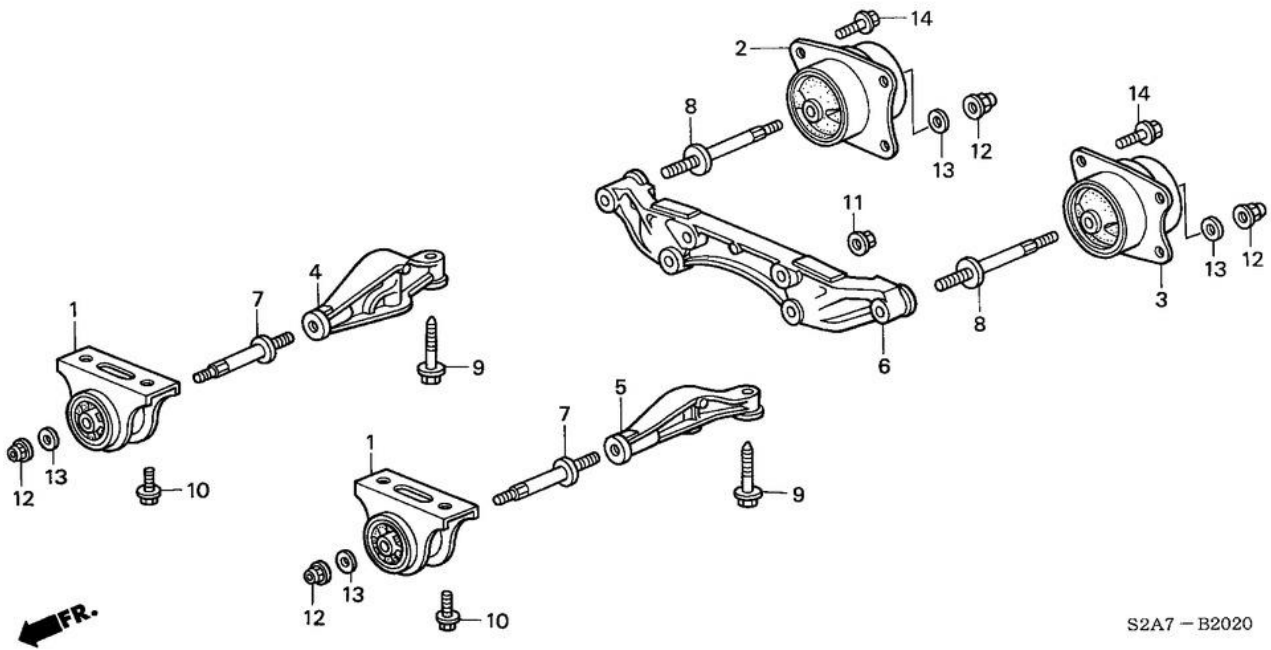
B-20-10 REAR DIFFERENTIAL



Ref	Part No	Honda Part No	Description	Price (Each)	Req Qty
1	PFKL573366	40440PCZ013	FLANGE ASSY., COMPANION	£207.52	1
2	PFKL573373	40443PCZ013	SHAFT ASSY., OUTPUT	£212.90	2
3	PFKL576195	41100PCZ003	DIFFERENTIAL ASSY.	£1,684.27	1
4	PFKL576695	41120PCZ023	CARRIER ASSY., DIFFERENTIAL	£0.00	1
5	PFKL576746	41131PCZ003	SCREW, ADJUST	£16.14	2
6	PFKL576823	41141PCZ003	PLATE, LOCK	£2.09	2
7	PFKL576934	41170PCZ003	CASE ASSY., DIFFERENTIAL	£0.00	1
8	PFKL577201	41200PCZ023	CARRIER ASSY., RR. DIFFERENTIAL	£6,351.58	1
9	PFKL578192	41220PCZ023	GEAR SET, FINAL	£1,054.46	1
10	PFKL578683	41271PCZ003	PIECE, DISTANCE	£44.57	1
11	PFKL579347	41375PCZ003	SPACER (3.095MM)	£24.92	1
11	PFKL579352	41376PCZ003	SPACER (3.125MM)	£24.92	1
11	PFKL579355	41377PCZ003	SPACER (3.155MM)	£24.92	1
11	PFKL579360	41378PCZ003	SPACER (3.185MM)	£24.92	1
11	PFKL579363	41379PCZ003	SPACER (3.215MM)	£24.92	1
11	PFKL579367	41380PCZ003	SPACER (3.245MM)	£24.92	1
11	PFKL579375	41381PCZ003	SPACER (3.275MM)	£24.92	1
11	PFKL579395	41382PCZ003	SPACER (3.305MM)	£24.92	1
11	PFKL579414	41383PCZ003	SPACER (3.335MM)	£24.92	1
11	PFKL579425	41384PCZ003	SPACER (3.365MM)	£24.92	1
11	PFKL579436	41385PCZ003	SPACER (3.395MM)	£24.92	1
11	PFKL579447	41386PCZ003	SPACER (3.425MM)	£24.92	1
11	PFKL579457	41387PCZ003	SPACER (3.455MM)	£24.92	1
11	PFKL579341	41374PCZ003	SPACER (3.47MM)	£24.92	1
11	PFKL579335	41373PCZ003	SPACER (3.44MM)	£24.92	1
11	PFKL579283	41360PCZ003	SPACER SET (27 PIECES)	£645.62	1
11	PFKL579284	41361PCZ003	SPACER (3.08MM)	£24.92	1

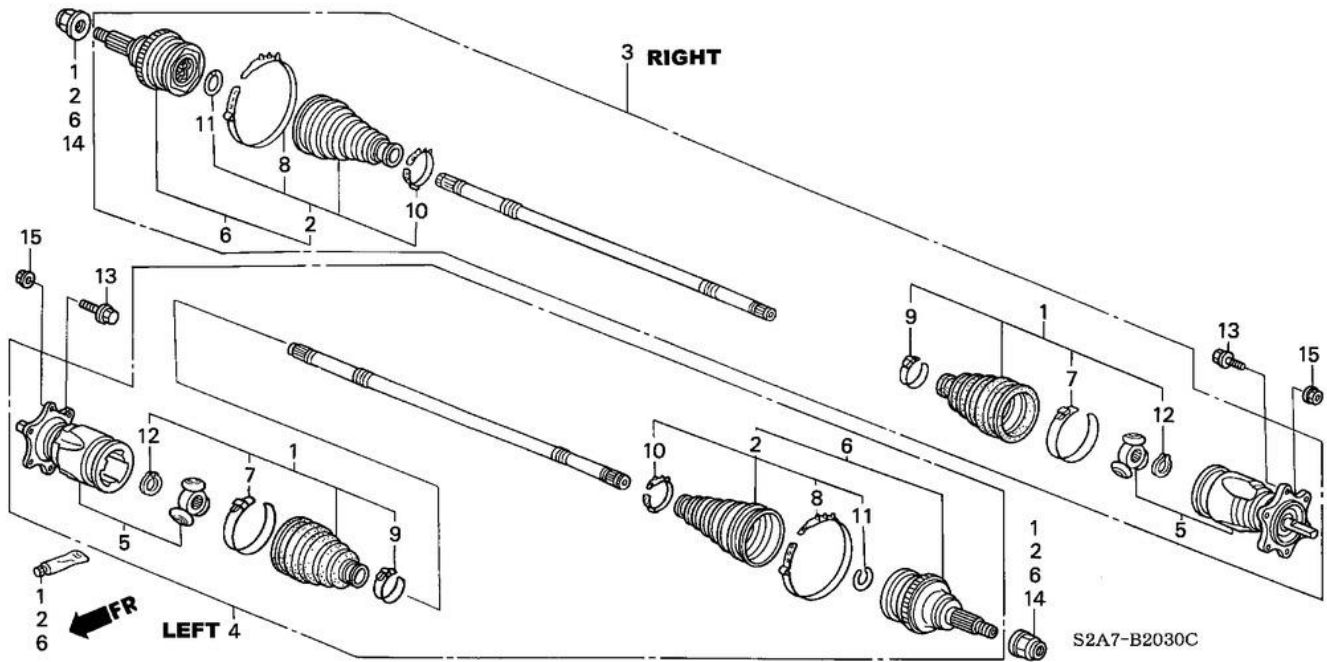
11	PFKL579288	41362PCZ003	SPACER (3.11MM)	£24.92	1
11	PFKL579293	41363PCZ003	SPACER (3.14MM)	£24.92	1
11	PFKL579297	41364PCZ003	SPACER (3.17MM)	£24.92	1
11	PFKL579300	41365PCZ003	SPACER (3.20MM)	£24.92	1
11	PFKL579304	41366PCZ003	SPACER (3.23MM)	£24.92	1
11	PFKL579307	41367PCZ003	SPACER (3.26MM)	£24.92	1
11	PFKL579310	41368PCZ003	SPACER (3.29MM)	£24.92	1
11	PFKL579313	41369PCZ003	SPACER (3.32MM)	£24.92	1
11	PFKL579316	41370PCZ003	SPACER (3.35MM)	£24.92	1
11	PFKL579319	41371PCZ003	SPACER (3.38MM)	£24.92	1
11	PFKL579327	41372PCZ003	SPACER (3.41MM)	£24.92	1
12	PFKL580211	41461PCZ003	SPACER	£36.89	1
13	PFKL580630	41935PCZ003	BREATHER ASSY.	£11.12	1
14	PFKL973943	90001PCZ003	BOLT	£3.85	2
15	PFKL974228	90002PCZ003	BOLT	£10.27	10
16	PFKL974425	90003PCZ003	BOLT	£11.83	1
17	PFKL974617	90004PCZ003	BOLT	£15.92	1
18	PFKL974777	90005PCZ003	BOLT-WASHER	£2.02	8
19	PFKL974908	90006PCZ003	BOLT	£0.00	4
20	PFKL975458	90011PCZ003	BOLT, STUD	£9.38	4
21	PFKL978489	90081PCZ003	PLUG, MAGNETIC	£19.01	1
22	PFKL978574	90082PCZ003	PLUG	£6.98	1
23	PFKL988235	90201PCZ003	NUT, LOCK	£11.18	1
24	PFKL991172	90401PCZ003	PACKING	£1.20	1
25	PFKL991327	90402PCZ003	PACKING	£4.00	1
26	PFKL991443	90403PCZ003	WASHER, PINION	£8.72	1
27	PFKL996668	90601PCZ003	CIRCLIP	£2.47	2
28	PFKL1001636	91001PCZ003	BEARING ASSY.	£126.68	1
29	PFKL1001933	91002PCZ003	BEARING ASSY.	£101.77	1
30	PFKL1002144	91003PCZ003	BEARING ASSY.	£113.28	2
31	PFKL1005682	91201PCZ003	OIL SEAL	£26.14	1
32	PFKL1006036	91202PCZ003	OIL SEAL	£17.90	2

B-20-20 REAR DIFFERENTIAL MOUNT

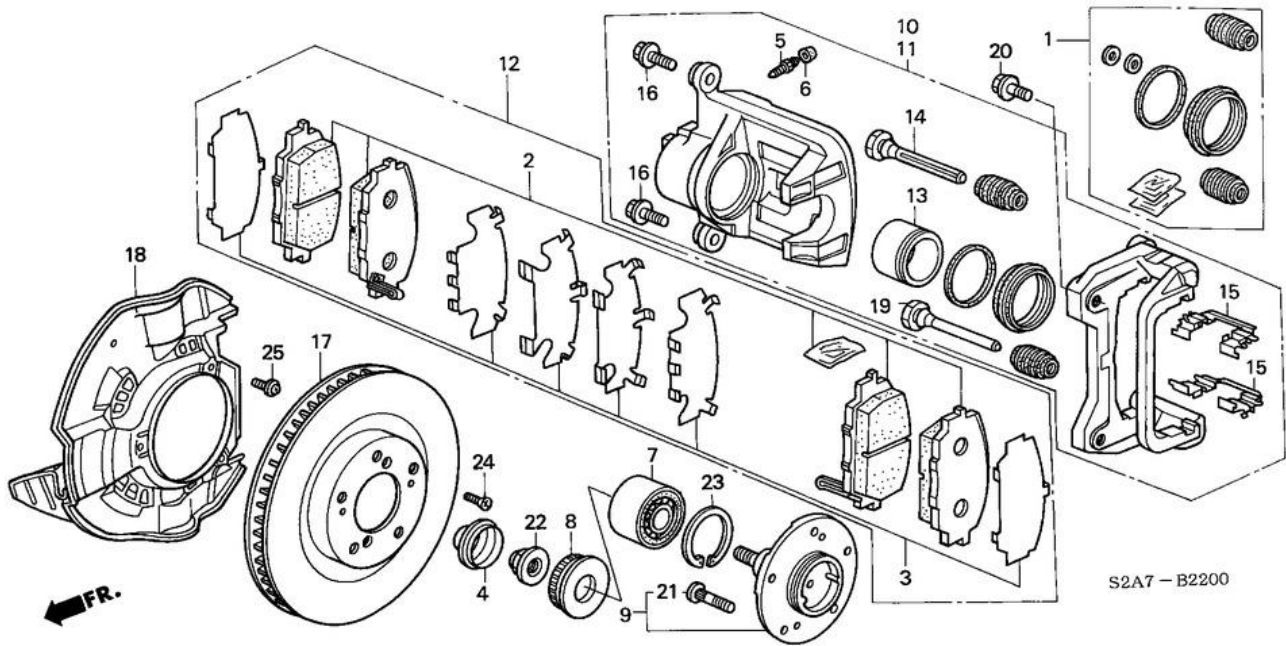


Ref	Part No	Honda Part No	Description	Price (Each)	Req Qty
1	PFKL645096	50710S2A000	MOUNTING COMP. A, RR. DIFFERENTIAL	£87.16	2
2	PFKL645854	50730S2A023	RUBBER ASSY., R. DIFFERENTIAL MOUNTING	£185.94	1
2	PFKL645854	50730S2A023	RUBBER ASSY., R. DIFFERENTIAL MOUNTING	£185.94	1
3	PFKL645923	50740S2A023	RUBBER ASSY., L. DIFFERENTIAL MOUNTING	£185.94	1
3	PFKL645923	50740S2A023	RUBBER ASSY., L. DIFFERENTIAL MOUNTING	£185.94	1
4	PFKL646016	50750S2A000	BRACKET, R. RR. DIFFERENTIAL MOUNTING	£71.51	1
5	PFKL646086	50760S2A000	BRACKET, L. RR. DIFFERENTIAL MOUNTING	£71.51	1
6	PFKL646096	50770S2A000	BRACKET B, RR. DIFFERENTIAL MOUNTING	£114.38	1
7	PFKL985287	90131S2A000	BOLT A, DIFFERENTIAL MOUNTING	£27.64	2
8	PFKL985482	90133S2A000	BOLT B, DIFFERENTIAL MOUNTING	£29.89	2
9	PFKL987317	90165S2A000	BOLT, FLANGE, 12X55	£7.31	4
10	PFKL987367	90166SR3000	BOLT, FLANGE, 10X30	£4.60	4
11	PFKL990928	90371S2A000	NUT, FLANGE, 12MM	£4.57	4
12	PFKL990940	90372SR3003	NUT, FLANGE, 12MM	£4.25	4
13	PFKL994796	90504SR3010	WASHER, FR. STOPPER	£7.64	4
14	PFKL1028600	957011001608	BOLT, FLANGE, 10X16	£2.15	8

B-20-30 REAR DRIVESHAFT



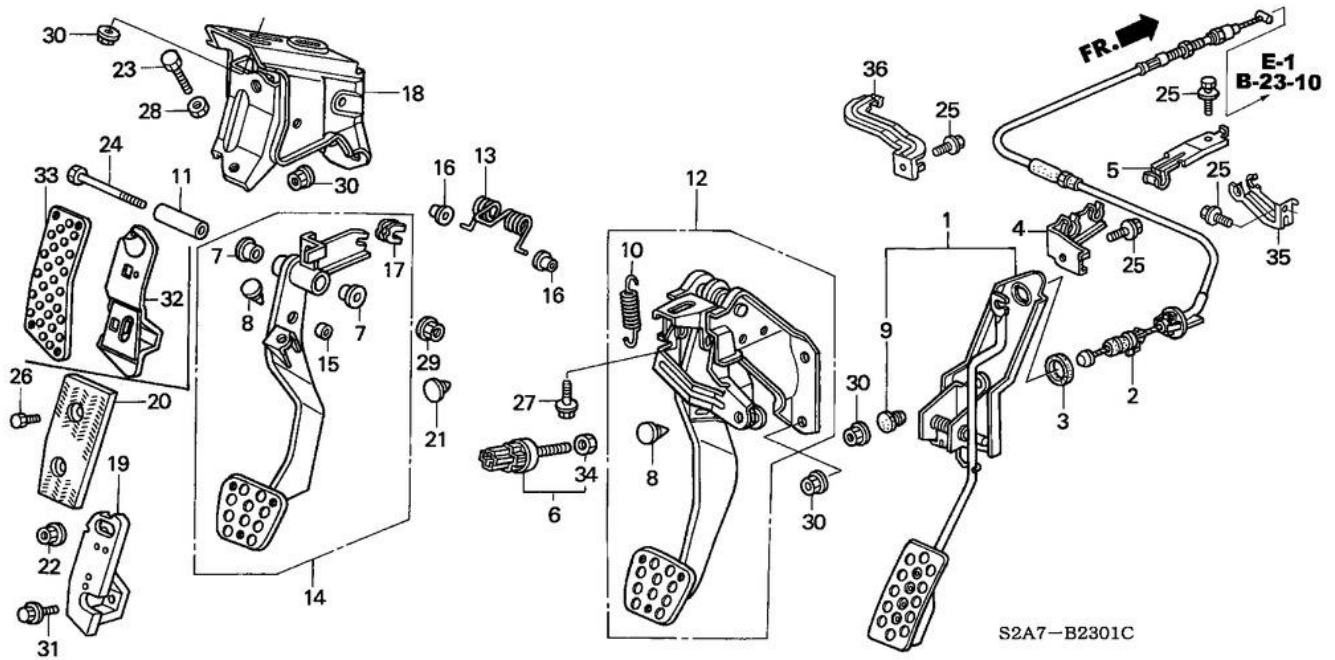
Ref	Part No	Honda Part No	Description	Price (Each)	Req Qty
1	PFKL580715	42017S2A010	BOOT SET, INBOARD	£69.32	2
2	PFKL580732	42018S2A020	BOOT SET, OUTBOARD	£69.32	2
3	PFKL581748	42310S2A951	DRIVESHAFT ASSY., R.	£1,335.70	1
4	PFKL581950	42311S2A951	DRIVESHAFT ASSY., L.	£1,245.67	1
5	PFKL582295	42320S2A310	JOINT COMP., INBOARD	£287.38	2
6	PFKL2017003	44014S2A953	JOINT SET, OUTBOARD	£241.76	2
7	PFKL602310	44327SV4305	BAND, JOINT BOOT (DOUBLE ROLLED BAND)	£15.52	2
8	PFKL602312	44327SX0C02	BAND, OUTBOARD BOOT (NIPPON HATSUJO)	£22.00	2
9	PFKL602357	44329SV4305	BAND, SHAFT BOOT (DOUBLE ROLLED BAND)	£12.76	2
10	PFKL602367	44329S2AN01	BAND C	£12.01	2
11	PFKL602453	44337SB0300	RING B, STOPPER	£5.42	2
12	PFKL602471	44338SB0300	CIRCLIP, 26MM	£4.32	2
13	PFKL987828	90181S2A000	BOLT, FLANGE, 10X26	£7.85	12
14	PFKL989810	90305SD4003	NUT, SPINDLE (24MM)	£7.09	2
15	PFKL974285	90002S10000	NUT, FLANGE, 10MM	£2.11	12



Ref	Part No	Honda Part No	Description	Price (Each)	Req Qty
1	PFKL212902	01463S2A000	CALIPER SET	£73.64	2
2	PFKL231460	06450S2AE50	PAD SET, FR. (WITHOUT SHIM)	£0.00	1
3	PFKL231795	06455S2A000	SHIM SET, FR.	£18.25	1
4	PFKL582356	42326SLJ000	CAP, HUB UNIT	£9.26	2
4	PFKL582356	42326SLJ000	CAP, HUB UNIT	£9.26	2
5	PFKL595713	43352SM4951	SCREW, BLEEDER	£7.60	2
6	PFKL595731	43353SD5003	CAP, BLEEDER SCREW	£5.90	2
7	PFKL2314939	44300S47305	BEARING ASSY., HUB (NTN)	£127.04	2
8	PFKL602535	44350S2A000	PULSER ASSY., FR.	£71.42	2
9	PFKL603187	44600S2A000	HUB ASSY., FR.	£189.10	2
10	PFKL609523	45018S2A003	CALIPER SUB ASSY., R. FR.	£305.59	1
11	PFKL609582	45019S2A003	CALIPER SUB ASSY., L. FR.	£305.59	1
12	PFKL2336008	45022S2AE51	PAD SET, FR. (16CL-16VN,J632)	£71.05	1
13	PFKL615595	45216SR3V01	PISTON (54MM)	£80.71	2
14	PFKL616235	45235S0A003	PIN A	£13.49	2
15	PFKL616292	45237S2A003	RETAINER	£14.42	4
16	PFKL616320	45240SA7003	BOLT, FLANGE, 8X22	£8.24	4
17	PFKL616727	45251S2A000	DISK, FR. BRAKE (16")	£86.42	2
18	PFKL616893	45255S2A010	GUARD, FR. SPLASH	£66.98	2
19	PFKL616980	45262S0A003	PIN B	£13.49	2
20	PFKL981346	90107SM4000	BOLT, CALIPER MOUNTING (12X21)	£5.60	4
21	PFKL982626	90113S5H005	BOLT, WHEEL (ROCKNEL FASTENER)	£7.27	10
21	PFKL982626	90113S5H005	BOLT, WHEEL (NAGOYA RASHI)	£7.27	10
21	PFKL982626	90113S5H005	BOLT, WHEEL (SAGA)	£7.27	10
22	PFKL989833	90305S2A003	NUT, SPINDLE	£12.82	2
23	PFKL999666	90681SG0000	CIRCLIP, INTERNAL, 84MM	£16.69	2
24	PFKL1019085	93600060140H	SCREW, FLAT, 6X14	£3.42	4

25	PFKL1019765	938920501208	SCREW-WASHER, 5X12	£1.56	6
----	-----------------------------	--------------	--------------------	-------	---

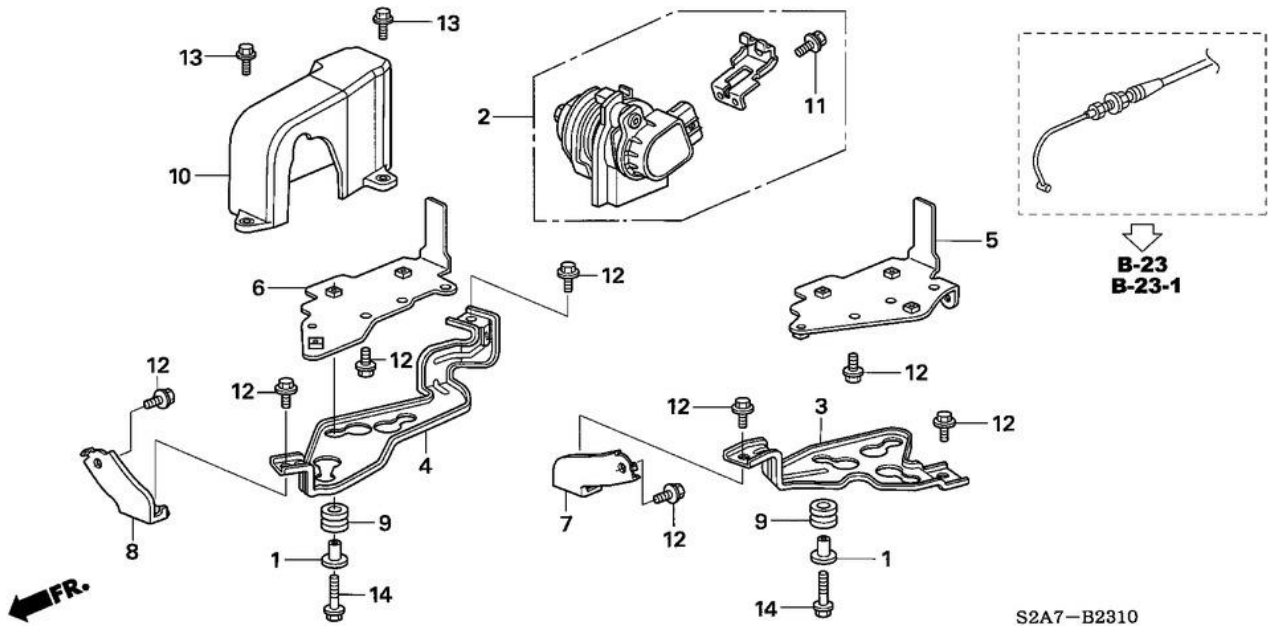
B-23-1 PEDAL (RH)



Ref	Part No	Honda Part No	Description	Price (Each)	Req Qty
1	PFKL375365	17800S2A033	PEDAL ASSY., ACCELERATOR	£0.00	1
2	PFKL377366	17910S2AJ52	WIRE, THROTTLE	£55.26	1
3	PFKL378743	17921SA4730	SEAL, THROTTLE CABLE	£8.48	1
4	PFKL378840	17928S2A000	STAY, THROTTLE WIRE	£0.00	1
6	PFKL532349	35350S2A003	SWITCH ASSY., STOP	£31.54	1
7	PFKL625801	46504ST5300	BUSH, PEDAL	£6.36	2
8	PFKL625823	46505SA5000	PAD, PEDAL STOPPER	£3.98	2
9	PFKL625825	46505SA7000	PAD, PEDAL STOPPER	£5.89	1
10	PFKL626534	46530S2A003	SPRING ASSY., PEDAL RETURN	£8.53	1
11	PFKL626577	46535SM4000	COLLAR, PEDAL	£89.59	1
12	PFKL626894	46600S2AJ02	PEDAL ASSY., BRAKE	£0.00	1
13	PFKL627277	46907S2A003	SPRING, CLUTCH RETURN	£8.28	1
14	PFKL2159626	46910S2A023	PEDAL COMP., CLUTCH	£0.00	1
15	PFKL627349	46911SD4930	BUSH, PEDAL PIN	£7.38	1
16	PFKL628262	46981S2A003	BUSH A, CLUTCH ASSISTANT	£7.07	2
17	PFKL628272	46982S2A003	BUSH B, ASSISTANT	£7.63	1
18	PFKL628298	46990S2A003	BRACKET, CLUTCH PEDAL	£57.74	1
21	PFKL818862	75891611000	COVER, DOOR SWITCH	£8.74	1
22	PFKL989126	90301SV7000	NUT, PAINT CUTTING, 6MM	£7.16	1
23	PFKL1016224	92201100300H	BOLT, HEX., 10X30	£2.14	1
24	PFKL1016235	92201100700J	BOLT, HEX., 10X70	£2.15	1
25	PFKL1017293	934030601208	BOLT-WASHER, 6X12	£2.21	3
27	PFKL1017532	934060801608	BOLT-WASHER, 8X16	£1.91	1
28	PFKL1021082	94002100000S	NUT, HEX., 10MM	£1.92	1
29	PFKL1021350	9405010080	NUT, FLANGE, 10MM	£2.15	1
30	PFKL1021366	9407008080	NUT-WASHER, 8MM	£1.92	9
31	PFKL1028241	957010601008	BOLT, FLANGE, 6X10	£1.92	1

32	PFKL628373	46991S2A010	BRACKET COMP., FOOTREST	£0.00	1
33	PFKL628410	46992S2A010	PLATE, FOOTREST BRACKET	£122.36	1
35	PFKL378933	17931S2A010	CLAMP, THROTTLE WIRE	£0.00	1
36	PFKL378985	17932S2A000	CLAMP, THROTTLE WIRE	£0.00	1

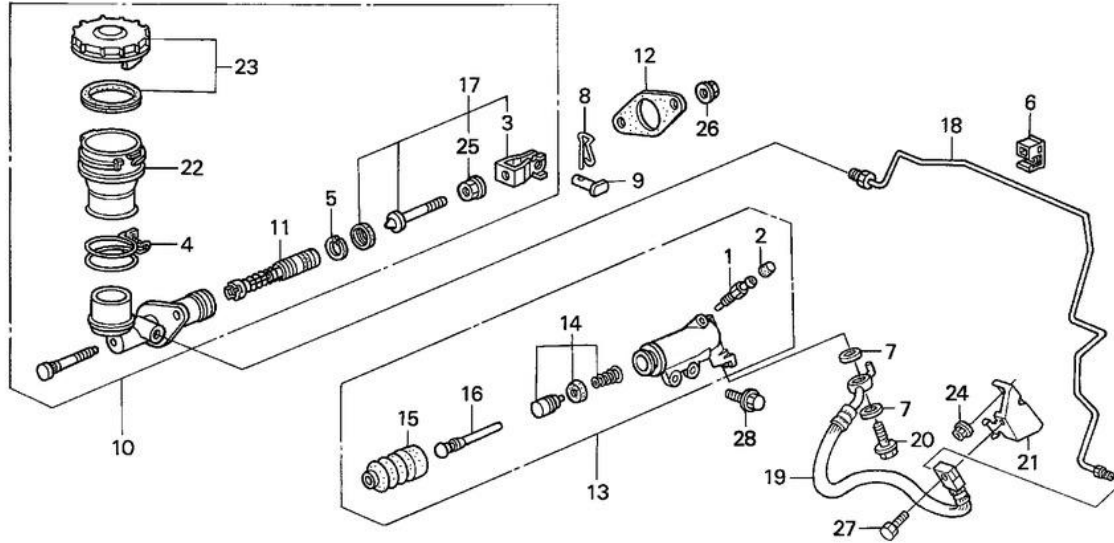
B-23-10 ACCELERATOR SENSOR



S2A7-B2310

Ref	Part No	Honda Part No	Description	Price (Each)	Req Qty
1	PFKL540400	36641PY3000	COLLAR, ACTUATOR MOUNT	£0.00	3
2	PFKL554776	37971PZX003	SENSOR ASSY., ACCELERATOR PEDAL	£183.36	1
4	PFKL554795	37976PZX010	BRACKET, ACCELERATOR PEDAL SENSOR	£0.00	1
6	PFKL554805	37977PZX010	STAY COMP., ACCELERATOR PEDAL SENSOR	£0.00	1
8	PFKL554813	37978PZX000	STAY, R.	£0.00	1
9	PFKL554814	37978RCAA00	RUBBER, MOUNT	£0.00	3
10	PFKL554828	37996RCAA00	COVER COMP., ACCELERATOR PEDAL SENSOR	£26.12	1
11	PFKL1017216	934020501408	BOLT-WASHER, 5X14	£1.39	2
12	PFKL1028254	957010601208	BOLT, FLANGE, 6X12	£1.92	5
13	PFKL1028277	957010601608	BOLT, FLANGE, 6X16	£1.92	2
14	PFKL1028316	957010602508	BOLT, FLANGE, 6X25	£2.21	3

B-23-23 CLUTCH MASTER CYLINDER (RH) ('04-)

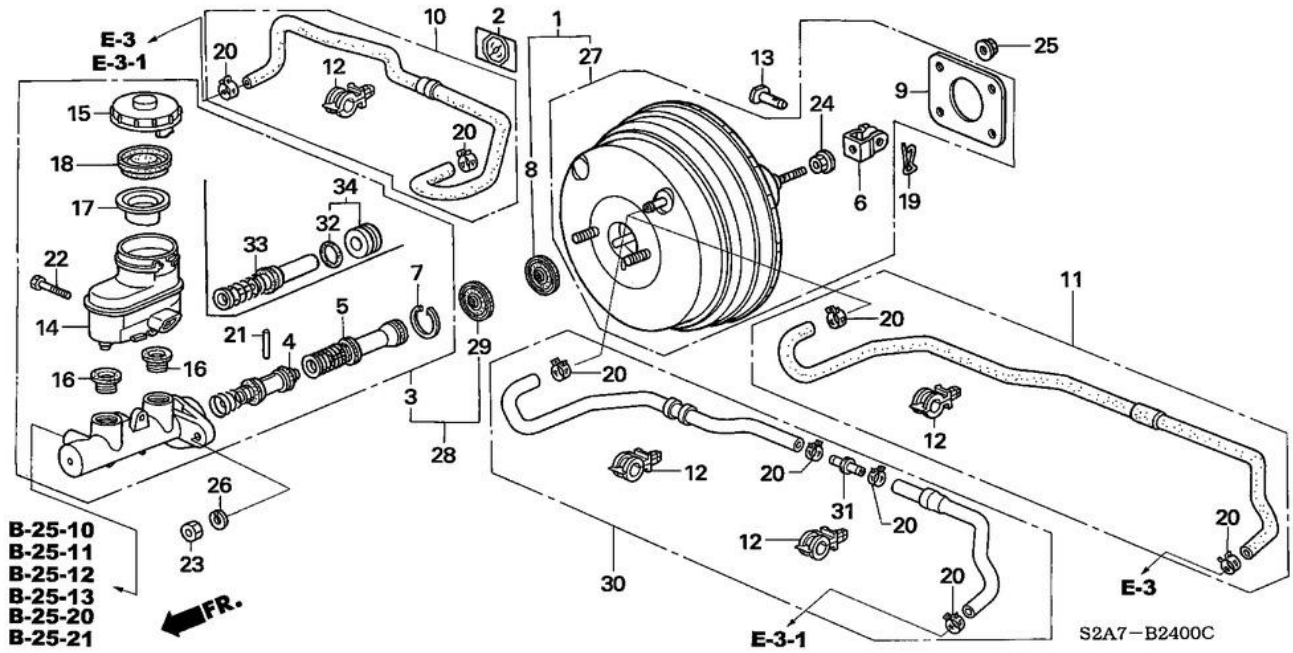


S2A7-B2323

Ref	Part No	Honda Part No	Description	Price (Each)	Req Qty
1	PFKL595721	43352567000	SCREW, BLEEDER	£4.20	1
2	PFKL595731	43353SD5003	CAP, BLEEDER SCREW	£5.90	1
3	PFKL620861	46151SA5003	YOKE COMP. (NISSIN)	£12.79	1
4	PFKL620889	46165632000	BAND, RESERVOIR	£10.40	1
5	PFKL620931	46182500013	CIRCLIP	£3.48	1
6	PFKL623392	46396S84A01	CLIP, BRAKE PIPE	£8.26	3
7	PFKL625079	46472568000	PACKING, OIL BOLT	£6.73	2
8	PFKL627356	46911S70003	PIN, LOCK (8MM)	£7.38	1
9	PFKL627365	46912S84A00	PIN, CLUTCH PEDAL	£6.95	1
10	PFKL627436	46920S2A003	CYLINDER ASSY., CLUTCH MASTER	£228.12	1
11	PFKL627514	46926SF1003	PISTON ASSY.	£52.02	1
12	PFKL627522	46928SF1000	SEAL, CLUTCH MASTER CYLINDER	£6.88	1
13	PFKL627570	46930S2AA02	CYLINDER ASSY., CLUTCH SLAVE	£188.76	1
14	PFKL627609	46932S2AA01	PISTON, SLAVE CYLINDER	£44.99	1
15	PFKL627645	46937SR3003	BOOT, SLAVE CYLINDER	£8.06	1
16	PFKL627648	46938SD4003	ROD, PUSH	£20.23	1
17	PFKL627750	46950S2A003	ROD ASSY., PUSH	£19.20	1
18	PFKL627866	46960S2A030	PIPE ASSY., CLUTCH	£0.00	1
19	PFKL627973	46961S2A023	HOSE, CLUTCH	£55.76	1
20	PFKL628006	46963SD4020	BOLT, CLUTCH OIL	£7.64	1
21	PFKL628096	46968S2A020	BRACKET, CLUTCH HOSE	£11.06	1
22	PFKL628234	46972SF1003	TANK, CLUTCH FLUID	£14.24	1
23	PFKL628241	46973SD4003	CAP COMP., RESERVE TANK	£27.25	1
24	PFKL989126	90301SV7000	NUT, PAINT CUTTING, 6MM	£7.16	2
25	PFKL1021341	9405008080	NUT, FLANGE, 8MM	£2.76	1
26	PFKL1021366	9407008080	NUT-WASHER, 8MM	£1.92	2
27	PFKL1028491	957010803008	BOLT, FLANGE, 8X30	£2.15	1

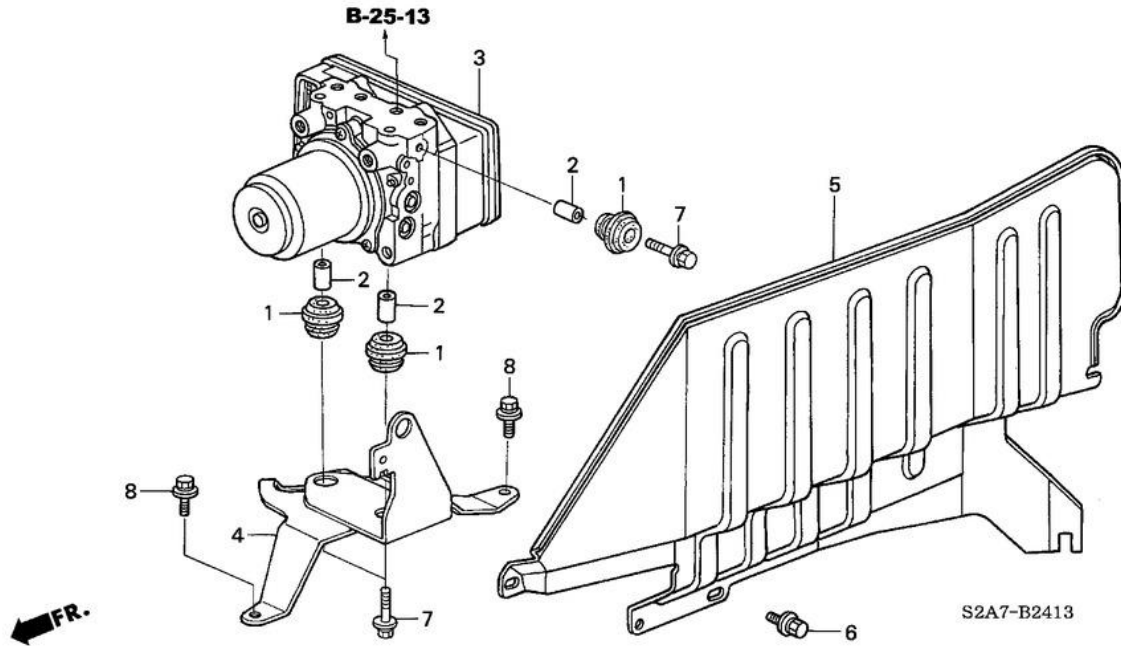
28	PFKL1028477	957010802508	BOLT, FLANGE, 8X25	£2.15	2
----	-----------------------------	--------------	--------------------	-------	---

B-24 BRAKE MASTER CYLINDER/ MASTER POWER



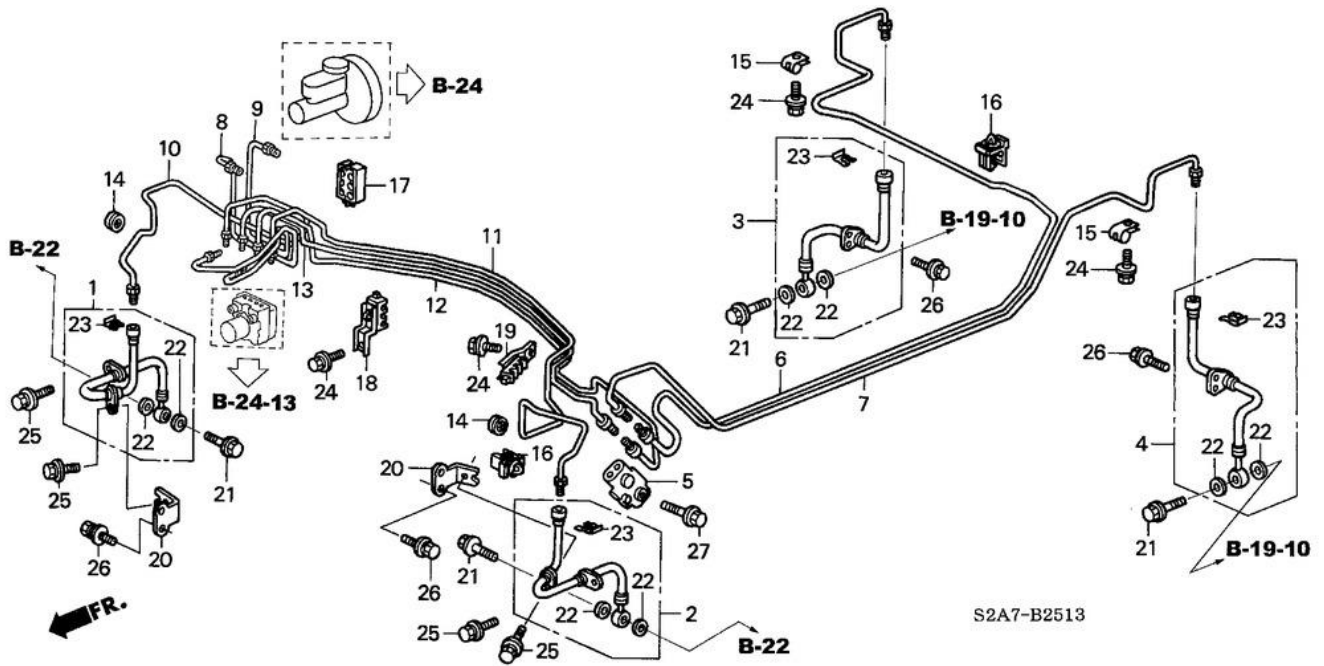
Ref	Part No	Honda Part No	Description	Price (Each)	Req Qty
1	PFKL213372	01469S2AJ50	POWER SET, MASTER	£0.00	1
3	PFKL620562	46100S2AJ51	CYLINDER ASSY., MASTER	£0.00	1
4	PFKL620712	46120SFEJ11	PISTON ASSY., PRIMARY	£48.82	1
5	PFKL620766	46122SFEJ11	PISTON ASSY., SECONDARY	£43.93	1
6	PFKL620863	46151SB2003	YOKE, PUSH ROD (NISSIN)	£13.18	1
7	PFKL620928	46182S84A51	CIRCLIP	£6.08	1
8	PFKL620950	46185S04J01	SEAL, ROD	£7.54	1
9	PFKL620956	46191S2K000	PACKING, MASTER POWER	£7.38	1
12	PFKL624002	46407S84A01	CLAMP, TUBE	£6.55	2
13	PFKL626072	46512S70000	PIN, PEDAL	£7.50	1
14	PFKL627015	46661S2A013	RESERVOIR SET	£74.28	1
15	PFKL627073	46662S9A003	CAP COMP., RESERVE TANK	£22.60	1
16	PFKL627093	46665S04J01	GROMMET	£14.14	2
17	PFKL627117	46666S2K003	FILTER, BRAKE RESERVOIR	£9.50	1
18	PFKL627128	46669S5A003	DIAPHRAGM	£13.43	1
19	PFKL627356	46911S70003	PIN, LOCK (8MM)	£7.38	1
20	PFKL696800	53729671003	CLAMP D, 15.5MM	£7.37	4
21	PFKL704900	57515S30003	PIN, STOP	£6.36	1
22	PFKL1016346	92301050250H	BOLT, RECESSED, 5X25	£1.92	1
23	PFKL1020964	94001080000S	NUT, HEX., 8MM	£2.38	2
24	PFKL1021341	9405008080	NUT, FLANGE, 8MM	£2.76	1
25	PFKL1021366	9407008080	NUT-WASHER, 8MM	£1.92	4
26	PFKL1021546	9411108800	WASHER, SPRING, 8MM	£1.42	2
30	PFKL623667	46402S2A013	TUBE ASSY., MASTER POWER	£0.00	1
31	PFKL623726	46403S6A000	JOINT, TWO WAY	£7.40	1

B-24-13 ABS MODULATOR (RH) ('04-)



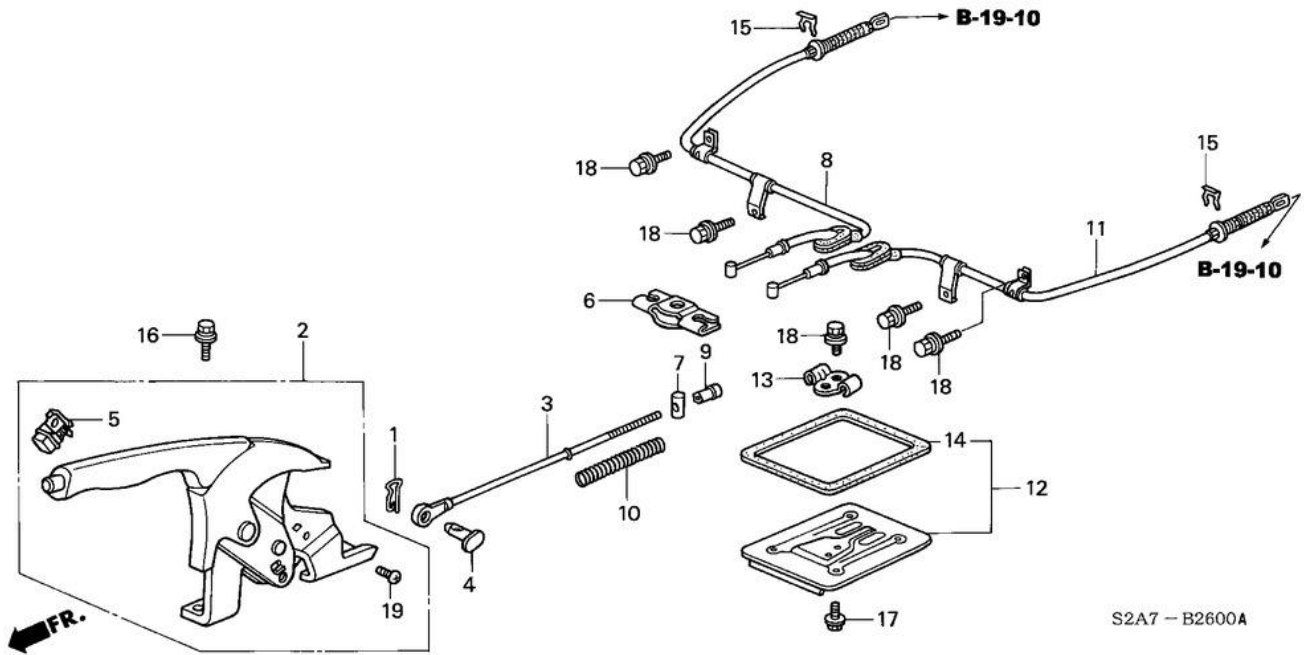
Ref	Part No	Honda Part No	Description	Price (Each)	Req Qty
1	PFKL703261	57101SDA003	RUBBER, MOUNT	£7.04	3
2	PFKL703287	57103SDA003	COLLAR	£4.32	3
3	PFKL703574	57110S2AA62	MODULATOR ASSY.	£1,453.88	1
4	PFKL703724	57115S2A600	BRACKET, MODULATOR	£0.00	1
5	PFKL704028	57255S2A020	PLATE, BAFFLE	£88.38	1
6	PFKL1017293	934030601208	BOLT-WASHER, 6X12	£2.21	4
7	PFKL1017401	934040602508	BOLT-WASHER, 6X25	£2.21	3
8	PFKL1017471	934050601408	BOLT-WASHER, 6X14	£1.73	3

B-25-13 BRAKE LINES (ABS) (RH) ('04-)

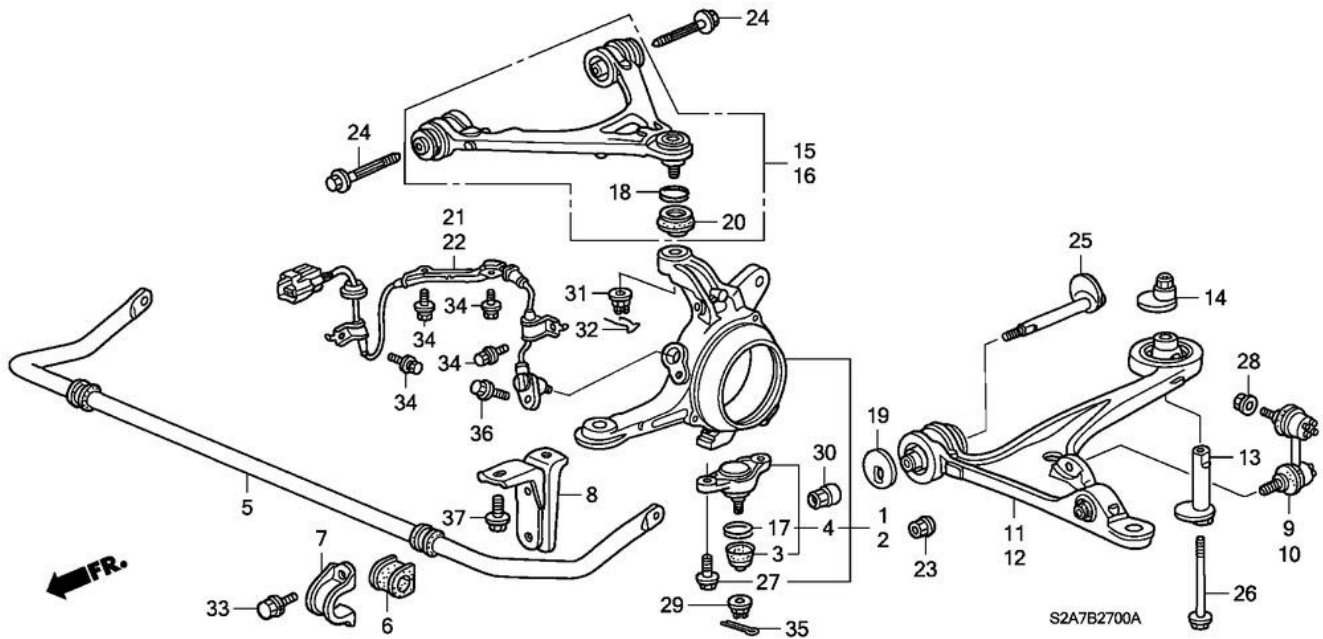


Ref	Part No	Honda Part No	Description	Price (Each)	Req Qty
1	PFKL213029	01464S2A010	HOSE SET, R. FR. BRAKE	£75.18	1
2	PFKL213141	01465S2A010	HOSE SET, L. FR. BRAKE	£75.18	1
3	PFKL213259	01466S2A010	HOSE SET, R. RR. BRAKE	£69.38	1
4	PFKL213308	01468S2A010	HOSE SET, L. RR. BRAKE	£69.38	1
5	PFKL621142	46210S2AJ51	VALVE ASSY., PROPORTIONING (ABS)	£238.54	1
6	PFKL621646	46330S2A602	PIPE COMP. C, BRAKE	£102.20	1
7	PFKL621931	46340S2A602	PIPE COMP. D, BRAKE	£91.25	1
8	PFKL622375	46374S2A601	PIPE COMP. U, BRAKE	£0.00	1
9	PFKL622549	46375S2A601	PIPE COMP. V, BRAKE	£0.00	1
10	PFKL622695	46376S2A601	PIPE COMP. W, BRAKE	£51.58	1
11	PFKL622845	46377S2A602	PIPE COMP. X, BRAKE	£0.00	1
12	PFKL622959	46378S2A602	PIPE COMP. Y, BRAKE	£0.00	1
13	PFKL623064	46379S2A602	PIPE COMP. Z, BRAKE	£0.00	1
14	PFKL623095	46380SH3000	GROMMET A, BRAKE PIPE	£6.40	2
15	PFKL623155	46391SR3J00	CLAMP, BRAKE PIPE	£7.26	2
16	PFKL623171	46391SX8T01	CLIP, BRAKE PIPE	£4.42	5
17	PFKL623191	46391S84A51	CLIP, BRAKE PIPE	£4.42	1
18	PFKL623296	46393S2AJ01	CLIP, BRAKE PIPE	£7.75	2
19	PFKL623297	46393S2A000	CLIP, BRAKE PIPE	£7.72	1
20	PFKL624557	46428S2A000	BRACKET, BRAKE HOSE	£7.61	2
21	PFKL625028	46462SE0000	BOLT, OIL	£7.16	4
22	PFKL625079	46472568000	PACKING, OIL BOLT	£6.73	8
23	PFKL997790	90651538000	CLIP, BRAKE HOSE	£3.66	4
24	PFKL1017227	934020601208	BOLT-WASHER, 6X12	£1.92	5
25	PFKL1017253	934020802008	BOLT-WASHER, 8X20	£1.91	4
26	PFKL1017303	934030601608	BOLT-WASHER, 6X16	£2.21	8
27	PFKL1029167	958010804008	BOLT, FLANGE, 8X40	£2.26	1

B-26 PARKING BRAKE

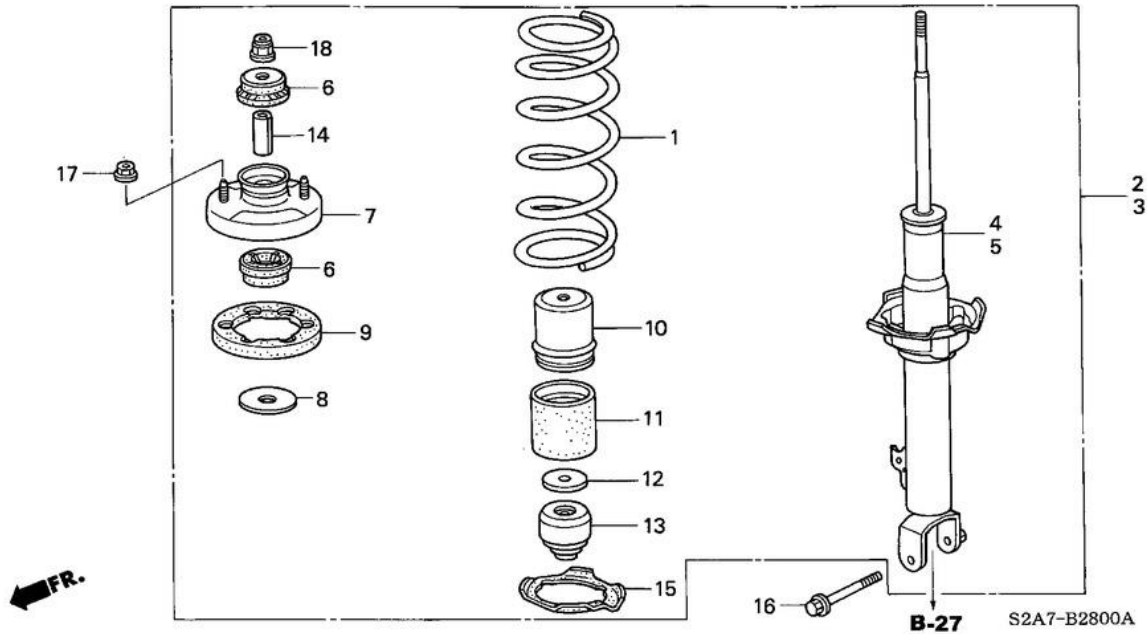


Ref	Part No	Honda Part No	Description	Price (Each)	Req Qty
1	PFKL627356	46911S70003	PIN, LOCK (8MM)	£7.38	1
2	PFKL628852	47105S2AJ10ZA	LEVER ASSY., PARKING BRAKE *NH167L*	£104.56	1
3	PFKL629059	47146S2A000	BOLT, JOINT	£0.00	1
4	PFKL629078	47153S2A000	PIN, HAND BRAKE	£4.86	1
5	PFKL629281	47342S2A003	SWITCH, PARKING BRAKE	£0.00	1
6	PFKL629306	47360SB2000	EQUALIZER	£13.75	1
7	PFKL629349	47365S38000	PIN, EQUALIZER	£6.43	1
8	PFKL629639	47510S2A013	WIRE A, R. PARKING BRAKE	£92.94	1
9	PFKL629853	47522S2A000	NUT, ADJUSTER	£0.00	1
10	PFKL629889	47537671670	SPRING, PARKING BRAKE ROD	£4.03	1
11	PFKL630158	47560S2A013	WIRE A, L. PARKING BRAKE	£92.94	1
12	PFKL630214	47571S2AJ00	PLATE ASSY., WIRE BASE GUIDE	£17.29	1
13	PFKL630238	47572ST0000	BASE, WIRE GUIDE	£10.08	1
14	PFKL630249	47573S2A000	PACKING	£0.00	1
15	PFKL997790	90651538000	CLIP, BRAKE HOSE	£3.66	2
16	PFKL1017255	934020802508	BOLT-WASHER, 8X25	£2.15	2
17	PFKL1017293	934030601208	BOLT-WASHER, 6X12	£2.21	4
18	PFKL1017336	934030801608	BOLT-WASHER, 8X16	£2.15	6
19	PFKL1019722	938920401208	SCREW-WASHER, 4X12	£1.20	1

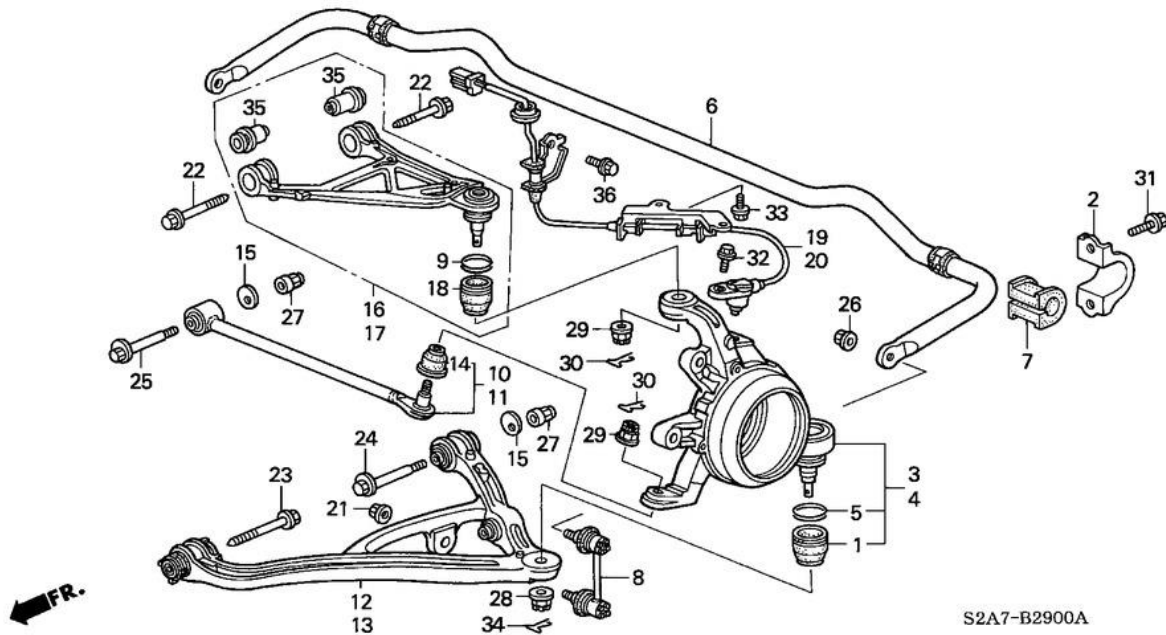


Ref	Part No	Honda Part No	Description	Price (Each)	Req Qty
1	PFKL648945	51210S2A010	KNUCKLE COMP., R. FR.	£525.02	1
2	PFKL649332	51215S2A010	KNUCKLE COMP., L. FR.	£525.02	1
3	PFKL649549	51225SL5003	BOOT, LOWER BALL DUST	£26.65	2
4	PFKL649571	51230S2A000	JOINT ASSY., FR. LOWER BALL	£59.62	2
5	PFKL649817	51300S2A033	SPRING, FR. STABILIZER	£295.57	1
6	PFKL650020	51306S2A013	BUSH, STABILIZER HOLDER	£12.90	2
7	PFKL650086	51308SZ3010	BRACKET, STABILIZER	£13.14	2
8	PFKL650293	51317S2A000	BRACKET, STABILIZER HOLD	£28.88	2
9	PFKL650333	51320S2A003	LINK COMP., R. FR. STABILIZER	£59.62	1
10	PFKL650365	51321S2A003	LINK COMP., L. FR. STABILIZER	£59.62	1
11	PFKL650627	51350S2A030	ARM COMP., R. FR. LOWER	£335.98	1
12	PFKL651024	51360S2A030	ARM COMP., L. FR. LOWER	£335.93	1
13	PFKL651378	51392S2A000	COLLAR, FR. LOWER ARM	£37.45	2
14	PFKL651425	51393S2A020	NUT, SELF-LOCK CAM (12MM)	£56.14	2
14	PFKL651425	51393S2A020	NUT, SELF-LOCK CAM (12MM)	£56.14	2
15	PFKL658139	51450S2A003	ARM ASSY., R. FR. UPPER	£427.69	1
16	PFKL658541	51460S2A013	ARM COMP., L. FR. UPPER	£427.69	1
17	PFKL670130	52226SL0003	CIRCLIP, LOWER BALL (MUSASHI)	£9.02	2
18	PFKL670690	52338SL0003	CIRCLIP, CONTROL ARM	£7.60	2
19	PFKL672299	52388SM4961	PLATE, CAM	£6.74	2
19	PFKL672299	52388SM4961	PLATE, CAM	£6.74	2
20	PFKL677352	52454S84A01	BOOT, UPPER DUST	£17.44	2
21	PFKL704437	57450S2A003	SENSOR ASSY., R. FR.	£257.64	1
22	PFKL704578	57455S2A003	SENSOR ASSY., L. FR.	£257.64	1
23	PFKL974285	90002S10000	NUT, FLANGE, 10MM	£2.11	2
24	PFKL987493	90170SP0000	BOLT A, LOWER ARM	£14.98	4
25	PFKL987497	90170S2A000	BOLT B, FR. LOWER ARM ADJUST	£19.81	2

26	PFKL987532	90171S2A020	BOLT C, FR. LOWER ARM	£12.18	2
26	PFKL987532	90171S2A020	BOLT C, FR. LOWER ARM	£12.18	2
27	PFKL987659	90175S2A000	BOLT, FLANGE, 12X37	£7.31	4
28	PFKL988666	90212SA5003	NUT, SELF-LOCK, 10MM	£1.97	2
29	PFKL990061	90307SL5000	NUT, CASTLE, 14MM	£7.51	2
30	PFKL990847	90362S2A000	NUT, SELF-LOCK (12MM)	£6.74	2
31	PFKL990858	90363SZ3003	NUT, UPPER ARM, 12MM	£6.00	2
32	PFKL1000211	90701SX0003	CLIP, UPPER ARM	£5.71	2
33	PFKL1017267	934021002008	BOLT-WASHER, 10X20	£2.15	4
34	PFKL1017293	934030601208	BOLT-WASHER, 6X12	£2.21	8
35	PFKL1021631	9420130220	PIN, SPLIT, 3.0X22	£1.56	2
36	PFKL1028277	957010601608	BOLT, FLANGE, 6X16	£1.92	2
37	PFKL1028704	957011202508	BOLT, FLANGE, 12X25	£2.98	4



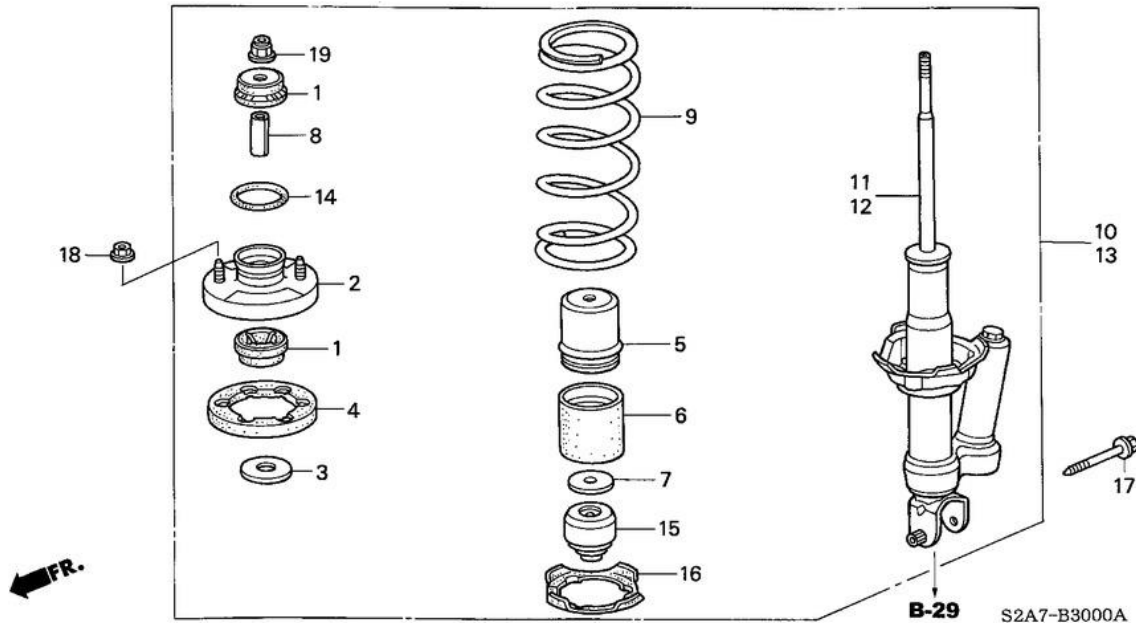
Ref	Part No	Honda Part No	Description	Price (Each)	Req Qty
1	PFKL653975	51631S2A004	SPRING, FR. (SHOWA)	£103.99	2
2	PFKL662740	51675SR0004	ABSORBER ASSY., R. FR. SHOCK	£0.00	1
3	PFKL664050	51685S2A004	ABSORBER ASSY., L. FR. SHOCK	£0.00	1
4	PFKL664931	51686SR3003	ABSORBER UNIT, R. FR. SHOCK	£309.29	1
5	PFKL665469	51687S2A004	ABSORBER UNIT, L. FR. SHOCK	£309.29	1
6	PFKL666426	51688S2A004	RUBBER, SHOCK ABSORBER MOUNTING	£65.26	4
7	PFKL666609	51689S2A004	BASE, SHOCK ABSORBER MOUNTING (A.S.I. SHOWA)	£33.76	2
8	PFKL666647	51728SB0004	PLATE, DUST COVER	£6.77	2
9	PFKL666677	52441S2A902	RUBBER, SPRING MOUNTING (SHOWA)	£38.53	2
10	PFKL666723	52610S2AA07	COVER, DUST	£23.11	2
11	PFKL666756	52611S2AA07	END, DUST COVER	£24.47	2
12	PFKL666785	52612S2AA07	PLATE, BUMP STOP	£10.45	2
13	PFKL666882	52620S2AA07	RUBBER, FR. BUMP STOPPER	£30.56	2
14	PFKL666950	52676S2A014	COLLAR, SHOCK ABSORBER MOUNTING (SHOWA)	£8.89	2
15	PFKL681451	52722S2A004	RUBBER, SPRING SEAT (SHOWA)	£17.15	2
16	PFKL987621	52748SM4014	BOLT, FLANGE, 12X85	£12.18	2
17	PFKL989617	90174S2A000	NUT, FLANGE, 10MM (OHASHI)	£7.78	4
18	PFKL990867	90304S10024	NUT, SELF-LOCK, 10MM (SHOWA)	£6.00	2



S2A7-B2900A

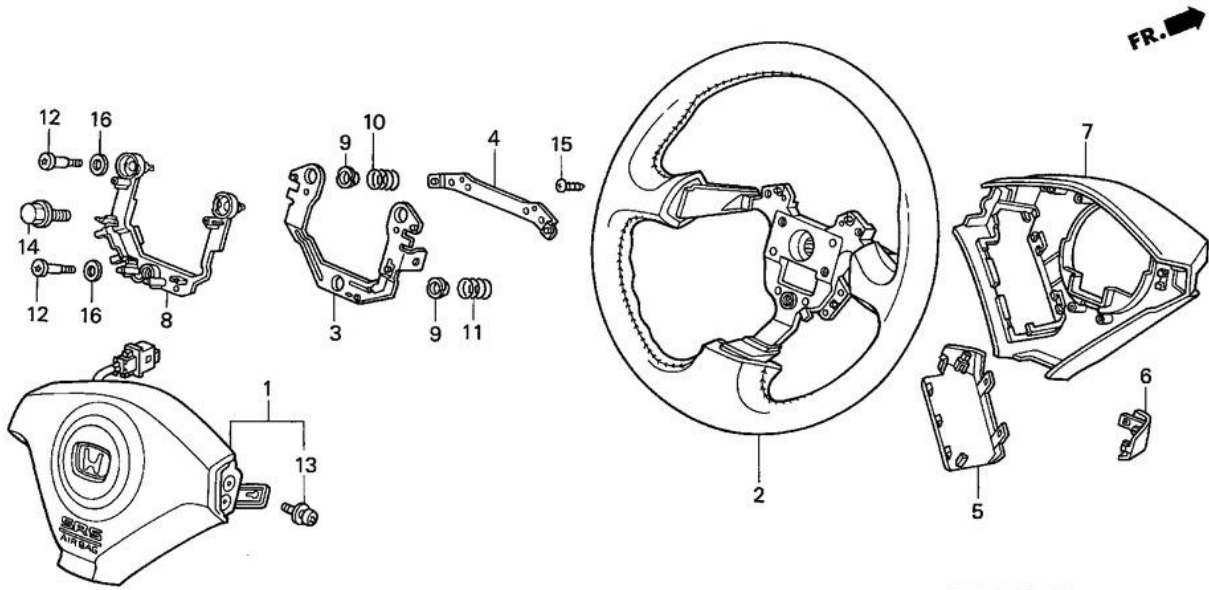
Ref	Part No	Honda Part No	Description	Price (Each)	Req Qty
1	PFKL649558	51225S84A01	BOOT, LOWER BALL DUST	£12.01	2
2	PFKL650086	51308SZ3010	BRACKET, STABILIZER	£13.14	2
3	PFKL669943	52210S2A010	KNUCKLE COMP., R. RR.	£424.10	1
4	PFKL670060	52215S2A010	KNUCKLE COMP., L. RR.	£424.10	1
5	PFKL670130	52226SL0003	CIRCLIP, LOWER BALL (MUSASHI)	£9.02	2
6	PFKL670318	52300S2AJ02	SPRING, RR. STABILIZER	£255.98	1
7	PFKL670556	52315S2A023	BUSH, STABILIZER HOLDER	£10.67	2
8	PFKL670652	52320S2A003	LINK COMP., RR. STABILIZER	£63.56	2
9	PFKL670690	52338SL0003	CIRCLIP, CONTROL ARM	£7.60	2
10	PFKL670696	52340S2A003	ARM COMP., R. RR. CONTROL	£144.50	1
11	PFKL670739	52345S2A003	ARM COMP., L. RR. CONTROL	£144.50	1
12	PFKL670896	52350S2A000	ARM COMP., R. RR. LOWER	£510.55	1
13	PFKL671151	52360S2AG00	ARM COMP., L. RR. LOWER	£510.55	1
14	PFKL671175	52362S30003	BOOT, TIE ROD END (MUSASHI)	£15.97	2
15	PFKL672303	52388SZ3000	PLATE, CAM	£7.74	4
16	PFKL672416	52390S2AJ02	ARM COMP., R. RR. UPPER	£457.87	1
17	PFKL673916	52400S2AJ02	ARM COMP., L. RR. UPPER	£457.87	1
18	PFKL677352	52454S84A01	BOOT, UPPER DUST	£17.44	2
19	PFKL704721	57470S2A013	SENSOR ASSY., R. RR.	£257.64	1
20	PFKL704863	57475S2A013	SENSOR ASSY., L. RR.	£257.64	1
21	PFKL974285	90002S10000	NUT, FLANGE, 10MM	£2.11	2
22	PFKL987560	90172SP0000	BOLT B, SHOCK ABSORBER BRACKET	£13.85	4
23	PFKL987566	90172S2A000	BOLT, FLANGE, 12X125	£13.84	2
24	PFKL987595	90173S2A000	BOLT B, RR. LOWER ARM ADJUST	£15.88	2
25	PFKL987696	90176S2A010	BOLT, RR. CONTROL ARM ADJUST	£26.35	2
25	PFKL987696	90176S2A010	BOLT, RR. CONTROL ARM ADJUST	£26.35	2
26	PFKL988666	90212SA5003	NUT, SELF-LOCK, 10MM	£1.97	2

27	PFKL990847	90362S2A000	NUT, SELF-LOCK (12MM)	£6.74	4
28	PFKL990853	90363SF1000	NUT, CASTLE, 12MM	£6.65	2
29	PFKL990858	90363SZ3003	NUT, UPPER ARM, 12MM	£6.00	4
30	PFKL1000211	90701SX0003	CLIP, UPPER ARM	£5.71	4
31	PFKL1017267	934021002008	BOLT-WASHER, 10X20	£2.15	4
32	PFKL1028277	957010601608	BOLT, FLANGE, 6X16	£1.92	2
33	PFKL1017311	934030602008	BOLT-WASHER, 6X20	£2.21	4
34	PFKL1021631	9420130220	PIN, SPLIT, 3.0X22	£1.56	2
35	PFKL672454	52393S2A000	BUSH, RR. UPPER ARM	£76.99	4
36	PFKL1017293	934030601208	BOLT-WASHER, 6X12	£2.21	2



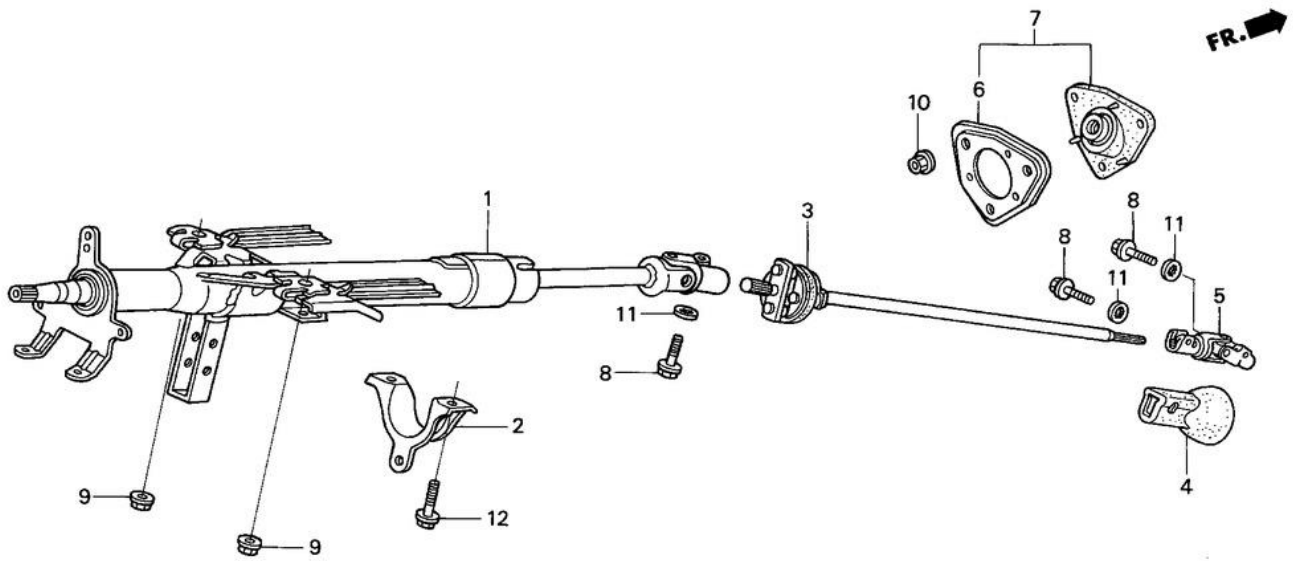
Ref	Part No	Honda Part No	Description	Price (Each)	Req Qty
1	PFKL666426	51631S2A004	RUBBER, SHOCK ABSORBER MOUNTING	£65.26	4
2	PFKL666609	51675SR0004	BASE, SHOCK ABSORBER MOUNTING (A.S.I. SHOWA)	£33.76	2
3	PFKL666647	51685S2A004	PLATE, DUST COVER	£6.77	2
4	PFKL666677	51686SR3003	RUBBER, SPRING MOUNTING (SHOWA)	£38.53	2
5	PFKL666723	51687S2A004	COVER, DUST	£23.11	2
6	PFKL666756	51688S2A004	END, DUST COVER	£24.47	2
7	PFKL666785	51689S2A004	PLATE, BUMP STOP	£10.45	2
8	PFKL666950	51728SB0004	COLLAR, SHOCK ABSORBER MOUNTING (SHOWA)	£8.89	2
9	PFKL677064	52441S2A902	SPRING, RR. (SHOWA)	£123.73	2
10	PFKL679514	52610S2AA07	ABSORBER ASSY., R. RR. SHOCK	£0.00	1
11	PFKL680112	52611S2AA07	ABSORBER UNIT, R. RR. SHOCK	£409.40	1
12	PFKL680339	52612S2AA07	ABSORBER UNIT, L. RR. SHOCK	£409.40	1
13	PFKL680666	52620S2AA07	ABSORBER ASSY., L. RR. SHOCK	£0.00	1
14	PFKL681062	52676S2A014	SEAL, RR. SHOCK ABSORBER MOUNTING	£9.64	2
15	PFKL681364	52722S2A004	RUBBER, RR. BUMP STOPPER	£28.39	2
16	PFKL681451	52748SM4014	RUBBER, SPRING SEAT (SHOWA)	£17.15	2
17	PFKL987621	90174S2A000	BOLT, FLANGE, 12X85	£12.18	2
18	PFKL989622	90304S10024	NUT, FLANGE, 10MM	£4.96	4
18	PFKL989622	90304S10024	NUT, FLANGE, 10MM	£4.96	4
19	PFKL990867	90364SG0004	NUT, SELF-LOCK, 10MM (SHOWA)	£6.00	2

B-31-10 STEERING WHEEL (SRS)



S2A7-B3110B

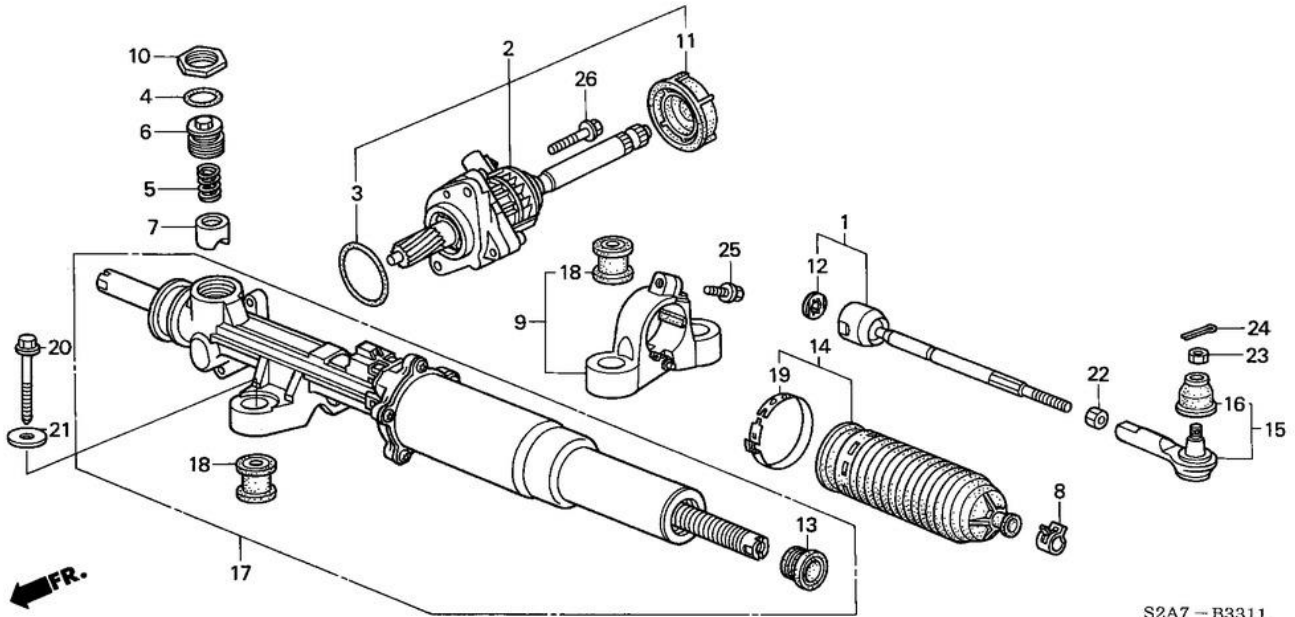
Ref	Part No	Honda Part No	Description	Price (Each)	Req Qty
1	PFKL853820	77810S2AG90ZA	MODULE ASSY., DRIVER *NH167L*	£1,192.03	1
2	PFKL860855	78501S2AA72ZA	GRIP COMP. (LEATHER) *NH167L*	£949.92	1
3	PFKL860931	78502S2AA61	PLATE COMP., HORN	£17.60	1
4	PFKL860939	78503S2AA61	PLATE COMP., CONTACT	£8.20	1
5	PFKL861529	78514S2AA61ZA	CAP A, BODY COVER *NH167L*	£12.46	1
6	PFKL861556	78515S2AA61ZA	CAP B, BODY COVER *NH167L*	£11.16	1
7	PFKL861702	78518S2AA61ZA	COVER, BODY *NH167L*	£19.37	1
8	PFKL861855	78521S2AA62	COVER, HORN PLATE	£18.38	1
9	PFKL861896	78522S23A51	SPACER	£4.60	3
10	PFKL861932	78523S23003	SPRING, COIL	£3.66	2
11	PFKL861933	78523S2AN61	SPRING B, COIL	£3.02	1
12	PFKL861945	78524S3YN81	SCREW, SLIDE	£7.51	3
13	PFKL985576	90134S04A81	BOLT, HEX., 6X12	£3.35	2
14	PFKL987019	90161SV4003	BOLT, STEERING HANDLE	£7.74	1
15	PFKL1020813	9391314420	SCREW, TAPPING, 4X16 (PO)	£1.49	4
16	PFKL861919	78522S3AN81	WASHER	£2.26	3



S2A7-B3200A

Ref	Part No	Honda Part No	Description	Price (Each)	Req Qty
1	PFKL688499	53200S2A013	COLUMN ASSY., STEERING	£540.20	1
2	PFKL690231	53216S2A000	HOLD B, STEERING COLUMN	£0.00	1
3	PFKL692144	53319S2A003	SHAFT COMP., STEERING	£0.00	1
4	PFKL692290	53321SF1950	GUARD, STEERING JOINT	£11.27	1
5	PFKL692331	53323SW5003	JOINT COMP. B, STEERING	£97.73	1
6	PFKL692375	53332S2A000	PLATE COMP., JOINT COVER	£0.00	1
7	PFKL692386	53334S2A000	DUST SEAL COMP., JOINT	£0.00	1
8	PFKL985636	90135SF1000	BOLT, CENTER SHAFT YOKE	£6.55	3
9	PFKL990827	90361SR3000	NUT, FLANGE, 8MM	£6.52	2
10	PFKL990828	90361SV4003	NUT, PAINT CUTTING, 6MM	£6.01	3
11	PFKL995264	90511671003	WASHER, TOOTHED LOCK	£4.32	3
12	PFKL1028477	957010802508	BOLT, FLANGE, 8X25	£2.15	2

B-33-11 P.S. GEAR BOX (RH)

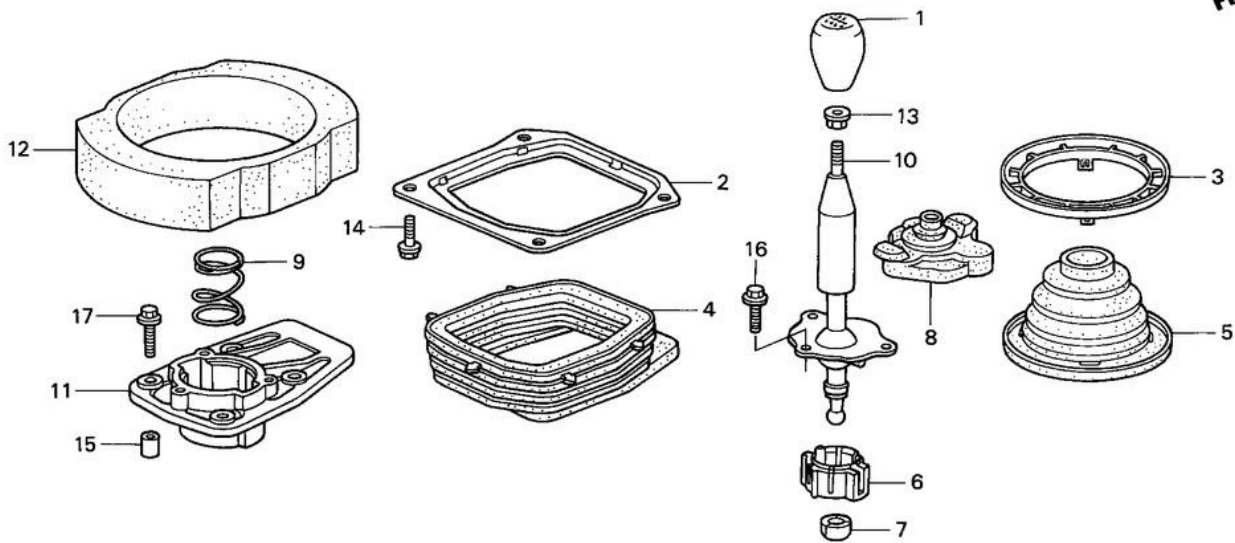


S2A7 - B3311

Ref	Part No	Honda Part No	Description	Price (Each)	Req Qty
1	PFKL681594	53010S2A003	END SET, RACK	£90.92	2
2	PFKL683104	53101S2A023	SENSOR ASSY., TORQUE	£956.46	1
3	PFKL683406	53106S0A003	O-RING, 54.4X3.1	£8.42	1
4	PFKL692573	53412SM4J61	O-RING, RACK GUIDE (NOK)	£6.44	1
5	PFKL692597	53413SP0010	SPRING, RACK GUIDE PRESSURE	£8.41	1
6	PFKL692631	53414SM4J60	SCREW, RACK GUIDE	£23.65	1
7	PFKL692682	53416S2AJ01	GUIDE COMP., STEERING RACK	£34.51	1
8	PFKL692903	53434S84A01	CLIP, STEERING TIE ROD	£6.55	2
9	PFKL693080	53438S2A013	BRACKET COMP.	£0.00	1
10	PFKL693208	53458SM4J60	NUT, RACK SCREW LOCK	£10.13	1
11	PFKL693287	53501S2A003	COVER, PINION DUST	£0.00	1
12	PFKL693582	53536S84A01	WASHER, TIE ROD LOCK	£3.67	2
13	PFKL693612	53537SW5003	RUBBER COMP., STOPPER	£13.48	2
14	PFKL693616	53537S2A003	DUST SEAL A, TIE ROD	£33.32	2
15	PFKL693690	53540S47951	END COMP., TIE ROD	£64.49	2
16	PFKL693736	53546S30005	BOOT, TIE ROD END	£23.65	2
17	PFKL694435	53602S2A013	BOX COMP., STEERING GEAR	£3,211.18	1
18	PFKL695617	53685SDAA01	BUSH, GEAR BOX MOUNTING	£13.45	4
19	PFKL697905	53892S2A003	BAND, BELLOWS	£8.88	2
20	PFKL981600	90108S2A003	BOLT, GEAR BOX MOUNTING (10X107)	£10.75	4
21	PFKL995003	90506S0A020	WASHER, PLAIN, 10MM	£3.17	4
22	PFKL1021017	940011408005	NUT, HEX., 14MM	£2.15	2
23	PFKL1021280	9403012280	NUT, HEX., 12MM	£2.21	2
24	PFKL1021631	9420130220	PIN, SPLIT, 3.0X22	£1.56	2
25	PFKL1028463	957010802008	BOLT, FLANGE, 8X20	£1.92	1
26	PFKL1028477	957010802508	BOLT, FLANGE, 8X25	£2.15	2

B-34 SHIFT LEVER

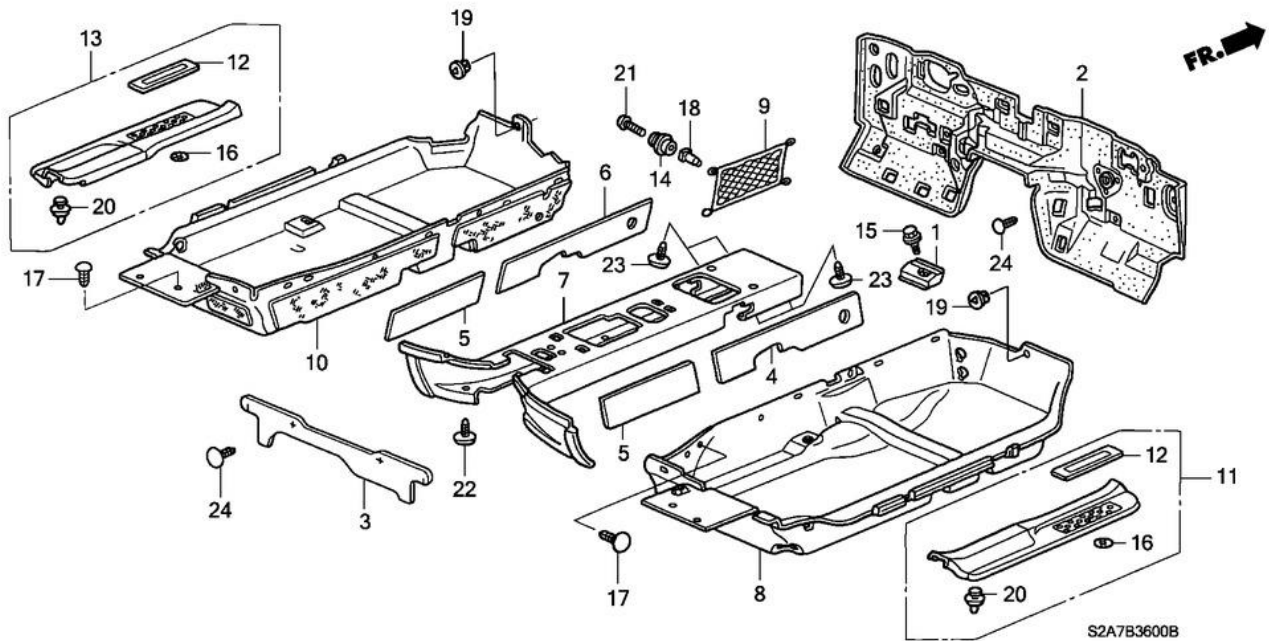
FR. 



S2A7 - B3400

Ref	Part No	Honda Part No	Description	Price (Each)	Req Qty
1	PFKL698392	54102S2A040	KNOB COMP., CHANGE LEVER	£250.68	1
2	PFKL698491	54106S2A003	HOLDER A, CHANGE BOOT	£10.13	1
3	PFKL698513	54107S2A003	HOLDER B, CHANGE BOOT	£6.97	1
4	PFKL698535	54108S2A003	BOOT A, CHANGE LEVER	£37.62	1
5	PFKL698548	54109S2A013	BOOT B, CHANGE LEVER	£23.95	1
6	PFKL698587	54110S2A003	SEAT, CHANGE LEVER BALL	£12.97	1
7	PFKL698607	54111S2A003	COVER, PIVOT	£2.99	1
8	PFKL698642	54113S2A003	BOOT C, CHANGE LEVER	£20.32	1
9	PFKL698741	54117S2A003	SPRING, LEVER PUSH	£7.81	1
10	PFKL699374	54201S2A023	LEVER SET, CHANGE	£0.00	1
11	PFKL699515	54205S2A003	HOUSING SET, CHANGE LEVER	£103.76	1
12	PFKL802674	74699S2A000	INSULATOR, CHANGE LEVER	£40.44	1
13	PFKL990266	90310ST7Z00	NUT, CHANGE LEVER FLANGE	£3.55	1
14	PFKL1017303	934030601608	BOLT-WASHER, 6X16	£2.21	4
15	PFKL1021700	9430108140	DOWEL PIN, 8X14	£3.06	2
16	PFKL1028277	957010601608	BOLT, FLANGE, 6X16	£1.92	3
17	PFKL1029063	958010603008	BOLT, FLANGE, 6X30	£2.21	4

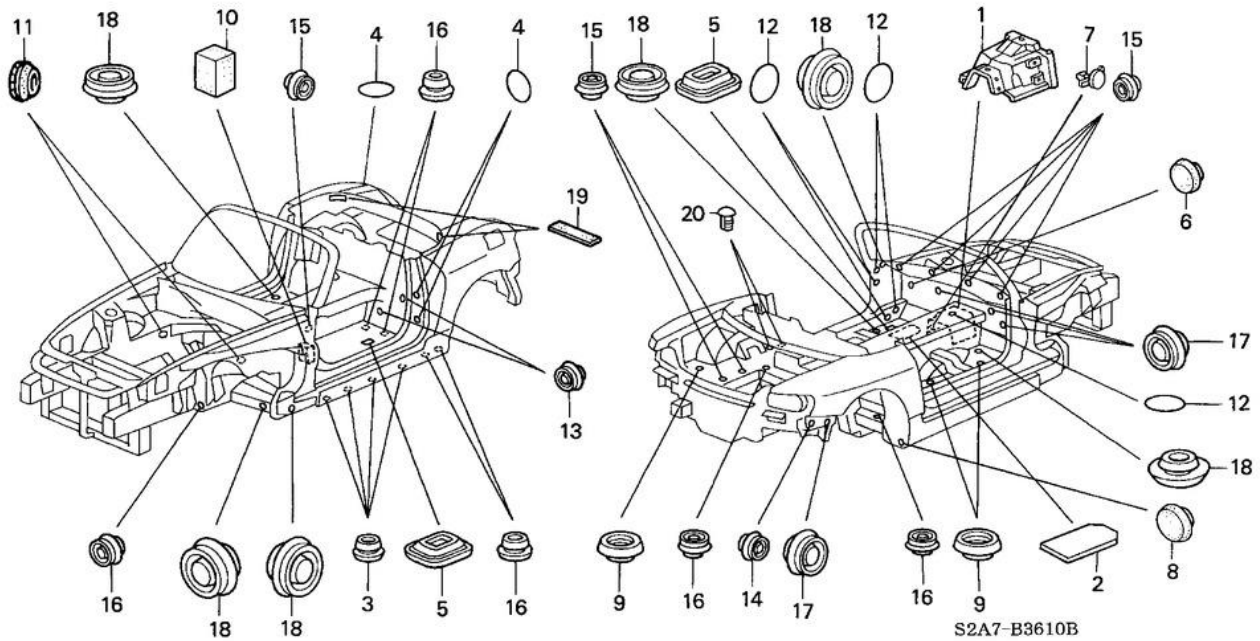
B-36 FLOOR MAT



Ref	Part No	Honda Part No	Description	Price (Each)	Req Qty
1	PFKL800779	74255S2A000	STOPPER, FOOTREST	£0.00	1
2	PFKL800850	74260S2A010	INSULATOR, DASHBOARD	£0.00	1
3	PFKL802047	74535S2A000	INSULATOR, ROLL BAR FRAME	£9.16	1
4	PFKL802392	74621S2A010	INSULATOR, R. TUNNEL SIDE	£0.00	1
5	PFKL802397	74622S2A000	INSULATOR, RR. TUNNEL SIDE	£0.00	2
6	PFKL802626	74671S2A000	INSULATOR, L. TUNNEL SIDE	£0.00	1
7	PFKL911387	83301S2AE52ZB	MAT, CENTER FLOOR *NH167L*	£0.00	1
8	PFKL911668	83302S2AE03ZF	MAT, R. FLOOR *YR344L*	£0.00	1
8	PFKL911666	83302S2AE03ZC	MAT, R. FLOOR *B135L*	£0.00	1
8	PFKL911670	83302S2AE04ZB	MAT, R. FLOOR *R145L*	£494.54	1
8	PFKL911669	83302S2AE04ZA	MAT, R. FLOOR *NH167L*	£468.08	1
9	PFKL911993	83310S2A000ZD	NET, TUNNEL SIDE *YR344L*	£0.00	1
9	PFKL911992	83310S2A000ZC	NET, TUNNEL SIDE *R145L*	£0.00	1
9	PFKL911991	83310S2A000ZB	NET, TUNNEL SIDE *B135L*	£0.00	1
9	PFKL911990	83310S2A000ZA	NET, TUNNEL SIDE *NH167L*	£0.00	1
10	PFKL912148	83352S2AE04ZA	MAT, L. FLOOR *NH167L*	£494.54	1
10	PFKL912149	83352S2AE04ZB	MAT, L. FLOOR *R145L*	£468.05	1
10	PFKL912145	83352S2AE03ZC	MAT, L. FLOOR *B135L*	£0.00	1
10	PFKL912150	83352S2AE04ZF	MAT, L. FLOOR *YR344L*	£0.00	1
11	PFKL940123	84201S2A901ZA	GARNISH, R. SIDE *NH167L*	£327.02	1
12	PFKL940184	84202S2A010ZA	PLATE, FR. SIDE	£0.00	2
13	PFKL940563	84251S2A901ZA	GARNISH, L. SIDE *NH167L*	£327.02	1
14	PFKL941043	84410S2A003ZA	CLIP, TUNNEL SIDE *NH167L*	£4.99	4
14	PFKL941044	84410S2A003ZB	CLIP, TUNNEL SIDE *R145L*	£0.00	4
14	PFKL941045	84410S2A003ZC	CLIP, TUNNEL SIDE *B135L*	£4.99	4
14	PFKL941046	84410S2A003ZE	CLIP, TUNNEL SIDE *YR344L*	£0.00	4
15	PFKL983951	90121SJ6003	BOLT, FLANGE, 6X14	£0.00	1

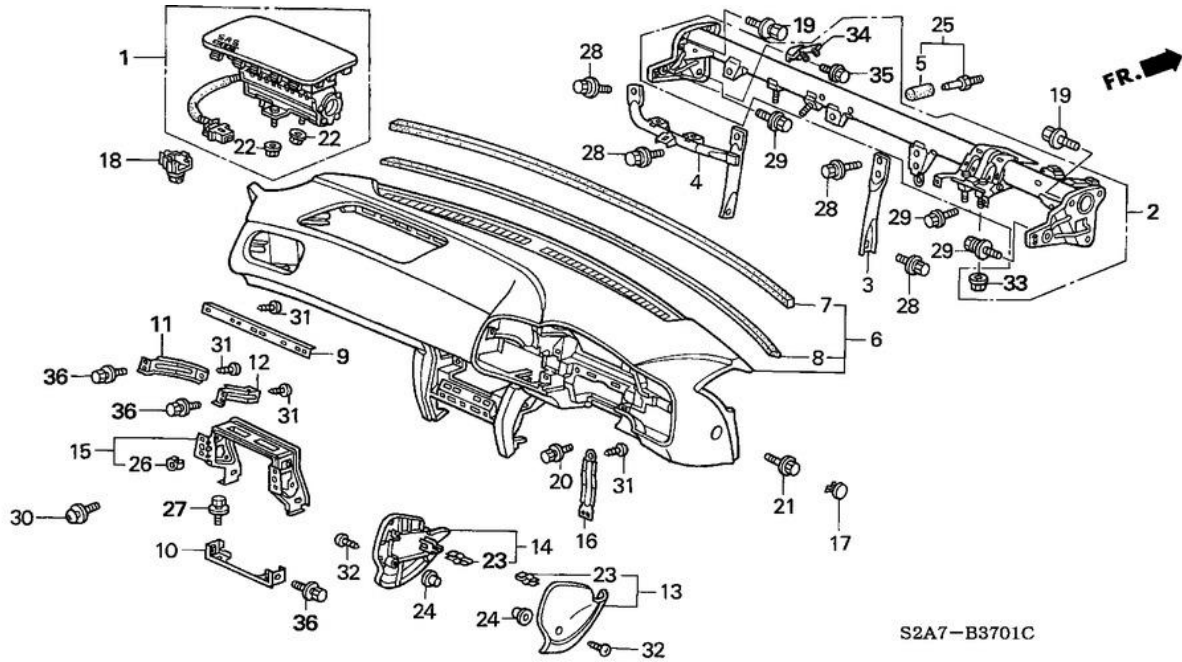
16	PFKL988101	90194SL0000	NUT, PUSH, 2.4MM	£6.01	4
17	PFKL999043	90667S0D003ZQ	CLIP, TRIM, 7MM *B135L*	£3.85	11
17	PFKL999038	90667S0D003ZJ	CLIP, TRIM, 7MM *R145L*	£3.85	11
17	PFKL999037	90667S0D003ZH	CLIP, TRIM, 7MM *NH167L*	£3.85	11
17	PFKL999030	90667S0D003YN	CLIP, TRIM, 7MM *YR344L*	£0.00	11
18	PFKL999345	90672SL0003	GROMMET, SCREW, 4MM	£5.14	4
19	PFKL999469	90676SE0003	CLIP, STEERING COVER	£3.96	4
20	PFKL1013294	91560S04003	CLIP, SIDE GARNISH (NATURAL)	£3.16	6
21	PFKL1020344	9390144680	SCREW, TAPPING, 4X25	£1.49	4
22	PFKL998537	90665SB2003ZQ	CLIP, TRIM, 7MM *NH167L*	£4.18	12
23	PFKL999037	90667S0D003ZH	CLIP, TRIM, 7MM *NH167L*	£3.85	4
23	PFKL998537	90665SB2003ZQ	CLIP, TRIM, 7MM *NH167L*	£4.18	4
24	PFKL999037	90667S0D003ZH	CLIP, TRIM, 7MM *NH167L*	£3.85	5

B-36-10 GROMMET



Ref	Part No	Honda Part No	Description	Price (Each)	Req Qty
1	PFKL802653	74691S2A000	INSULATOR, FR. FLOOR TUNNEL	£68.68	1
2	PFKL802673	74698S2A000	INSULATOR, FR. CHANGE LEVER	£0.00	1
3	PFKL904555	82871671000	GROMMET, DRAIN HOLE, 25MM	£6.00	12
4	PFKL946033	85268SA0000	PROTECTION, TAILGATE, 20MM (CIRCLE)	£6.84	6
5	PFKL1001115	90810SB2660	GROMMET, TIE DOWN, 20X35	£8.14	4
7	PFKL1011725	91501S3A000	CLIP, INSULATOR	£0.00	7
8	PFKL1014145	91603SK7000	GROMMET, WAX HOLE, 25MM	£5.65	2
9	PFKL1014231	91611SM4003	PLUG, FLOOR HOLE, 25MM	£4.52	8
10	PFKL1014303	91616S30000	BLOCK, FR. INSIDE PANEL	£0.00	2
11	PFKL1014324	91618SA5000	GROMMET B, CONTROL WIRE, 16MM	£3.66	4
12	PFKL1014529	91657SP0000	SEAL C, DOOR PANEL HOLE (25MM)	£2.04	9
13	PFKL1027815	9555007000	PLUG, BLIND, 7MM	£2.98	2
14	PFKL1027817	9555010000	PLUG, BLIND, 10MM	£2.98	2
15	PFKL1027825	9555111000	PLUG, BLIND, 11MM	£3.71	8
16	PFKL1027826	9555115000	PLUG, BLIND, 15MM	£5.54	16
17	PFKL1027827	9555120000	PLUG, BLIND, 20MM	£5.54	4
18	PFKL1027828	9555125000	PLUG, BLIND, 25MM	£7.45	14
19	PFKL801142	74308S2A000	SEAL, RR. WINDSHIELD LOWER	£11.56	2

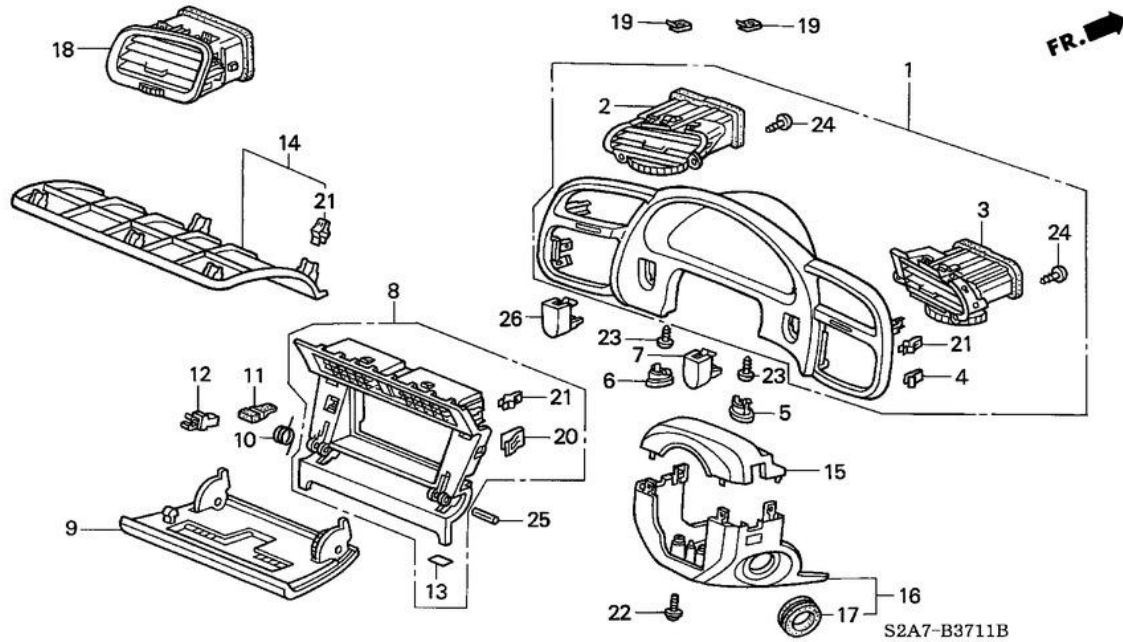
B-37-1 INSTRUMENT PANEL (RH)



Ref	Part No	Honda Part No	Description	Price (Each)	Req Qty
1	PFKL233610	06780S2AE81ZA	MODULE KIT, PASSENGER *NH167L*	£1,081.02	1
2	PFKL720501	61310S2AE02ZZ	BEAM COMP., STEERING HANGER	£0.00	1
3	PFKL720880	61312S2A000ZZ	PIPE, CENTER	£0.00	1
4	PFKL721369	61330S2A000ZZ	BEAM COMP., PASSENGER SRS	£0.00	1
5	PFKL755843	66844SA7000	CAP, INSTRUMENT PANEL STAY	£7.66	3
6	PFKL835199	77100S2A013ZA	PANEL ASSY., INSTRUMENT *NH167L*	£0.00	1
7	PFKL836060	77106S2A010	SEAL, INSTRUMENT FR.	£0.00	1
8	PFKL836085	77107S2A000	SEAL, INSTRUMENT DASHBOARD	£8.24	1
9	PFKL836266	77111S2A000	BRACKET, INSTRUMENT PASSENGER	£0.00	1
10	PFKL836303	77113S2A000ZZ	BRACKET, CENTER JOINT	£12.22	1
11	PFKL836345	77115S2A000ZZ	STAY A, INSTRUMENT PASSENGER	£0.00	1
12	PFKL836359	77116S2A000ZZ	STAY B, INSTRUMENT PASSENGER	£0.00	1
13	PFKL836445	77120S2A003ZA	COVER, R. FR. CONSOLE *NH167L*	£14.50	1
14	PFKL836486	77125S2A003ZA	COVER, L. FR. CONSOLE *NH167L*	£14.50	1
15	PFKL836933	77160S2A003ZZ	FRAME COMP., INSTRUMENT CENTER	£52.85	1
16	PFKL839272	77205S30003ZZ	BRACKET, METER	£0.00	2
17	PFKL841356	77218SL5A00ZA	LID, INSTRUMENT PANEL SIDE *NH167L*	£7.08	2
18	PFKL854772	77982S9AN81	HOLDER, COUPLER (2P)	£3.98	1
19	PFKL981980	90110SV4000	BOLT-WASHER, 8X21	£7.74	2
20	PFKL984924	90128SA7000	BOLT-WASHER, 6X25	£7.78	2
21	PFKL988088	90192SL0000	BOLT-WASHER, 6X25	£0.62	2
22	PFKL990524	90321SP0A80	NUT-WASHER, 6MM	£2.33	3
23	PFKL998737	90666S84A01	CLIP, SNAP FITTING	£4.16	4
24	PFKL999684	90681693000	GROMMET, SCREW, 4MM	£3.17	2
25	PFKL1000982	90770S30000	PIN	£7.78	3
26	PFKL1014453	91641SM4003	GROMMET, SCREW, 4MM	£4.96	4
27	PFKL1017386	934040601608	BOLT-WASHER, 6X16	£1.92	2

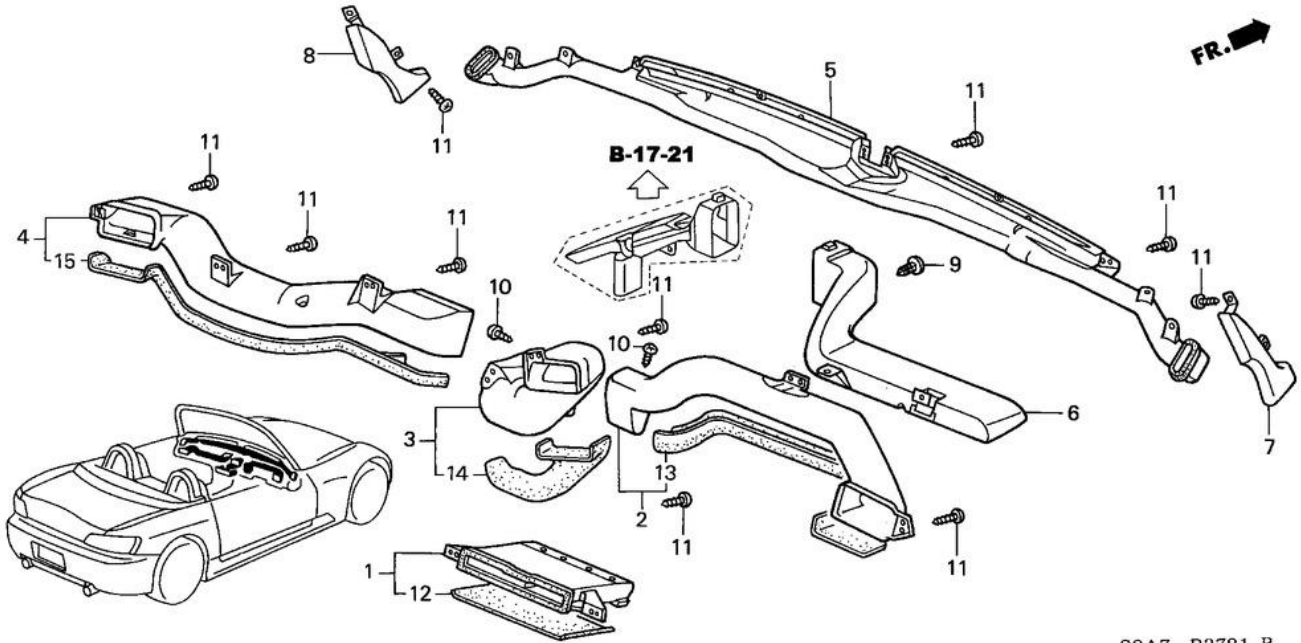
28	PFKL1017504	934050801608	BOLT-WASHER, 8X16	£2.15	6
29	PFKL1017509	934050802008	BOLT-WASHER, 8X20	£2.15	7
30	PFKL1019650	938910601608	SCREW-WASHER, 6X16	£1.37	2
31	PFKL1020813	9391314420	SCREW, TAPPING, 4X16 (PO)	£1.49	10
32	PFKL1020814	9391314480	SCREW, TAPPING, 4X16 (PO)	£1.13	2
33	PFKL990827	90361SR3000	NUT, FLANGE, 8MM	£6.52	1
34	PFKL721408	61354S2A000ZZ	BRACKET COMP., DRIVE BY WIRE DRIVER	£0.00	1
35	PFKL1028254	957010601208	BOLT, FLANGE, 6X12	£1.92	1
36	PFKL980428	90104S2A003	BOLT-WASHER, 6X16	£6.23	4

B-37-11 INSTRUMENT PANEL GARNISH (RH)



Ref	Part No	Honda Part No	Description	Price (Each)	Req Qty
1	PFKL838331	77200S2AJ02ZB	PANEL ASSY., METER *NH167L 1*	£269.99	1
2	PFKL838863	77201S2A003ZC	OUTLET ASSY., L. DRIVER *NH167L 2*	£0.00	1
3	PFKL838988	77202S2A003ZC	OUTLET ASSY., R. DRIVER *NH167L 2*	£0.00	1
4	PFKL839049	77203S2A003	CLIP, METER PANEL	£4.16	2
5	PFKL839097	77204S2A003ZA	LID, R. METER PANEL *NH167L*	£11.95	1
6	PFKL839353	77206S2A003ZA	LID, L. METER PANEL *NH167L*	£11.95	1
7	PFKL839440	77208S2A003ZA	LID, R. SWITCH HOLE *NH167L*	£11.68	1
8	PFKL844010	77251S2A902ZB	PANEL COMP., RADIO *NH167L*	£63.79	1
9	PFKL844184	77252S2A902ZF	LID COMP., RADIO *NH647L*	£53.72	1
10	PFKL844287	77254S2A901	SPRING	£3.12	1
11	PFKL844322	77255S2A003	RUBBER, STOPPER	£4.32	2
12	PFKL844349	77256S2A003	LATCH	£7.94	1
13	PFKL844369	77257S2A003	CUSHION	£0.00	2
14	PFKL846577	77320S2A003ZA	COVER ASSY., PASSENGER INSTRUMENT LOWER *NH167L*	£20.80	1
15	PFKL847151	77350S2A003ZA	COVER, COLUMN UPPER *NH167L*	£26.71	1
16	PFKL847525	77360S2AG01ZA	COVER ASSY., COLUMN LOWER *NH167L*	£39.17	1
17	PFKL847666	77371SX0A00	RING, COLUMN COVER	£11.75	1
18	PFKL852057	77630S2A003ZB	OUTLET ASSY., PASSENGER *NH167L 1*	£0.00	1
19	PFKL989319	90302SA4003	NUT, SPRING, 4MM	£7.42	2
20	PFKL998722	90666SM4003	CLIP, SNAP FITTING	£3.78	2
21	PFKL998737	90666S84A01	CLIP, SNAP FITTING	£4.16	15
22	PFKL1019568	938910501208	SCREW-WASHER, 5X12	£1.56	3
23	PFKL1020806	9391314280	SCREW, TAPPING, 4X12 (PO)	£1.49	2
24	PFKL1020840	9391324120	SCREW, TAPPING, 4X10	£1.49	4
25	PFKL1021810	9430530162	PIN, SPRING, 3X16	£2.15	2

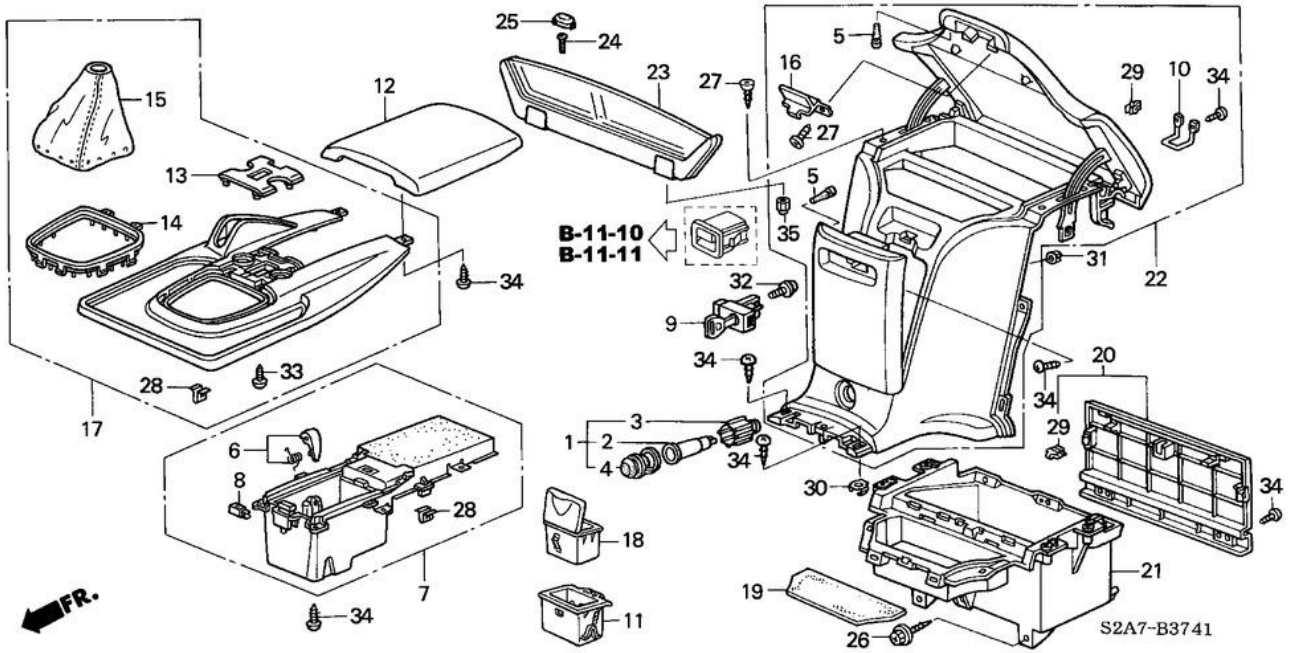
B-37-21 DUCT (RH)



S2A7-B3721 B

Ref	Part No	Honda Part No	Description	Price (Each)	Req Qty
1	PFKL847827	77410S2A013	DUCT ASSY., CENTER AIR CONDITIONER	£0.00	1
2	PFKL847940	77420S2A013	DUCT, DRIVER OUTSIDE	£0.00	1
3	PFKL848070	77425S2A013	DUCT, DRIVER INSIDE	£0.00	1
4	PFKL848197	77430S2A013	DUCT, PASSENGER AIR CONDITIONER	£0.00	1
5	PFKL848785	77460S2A003	DUCT, FR. DEFROSTER	£0.00	1
6	PFKL866163	79891S2A003	OUTLET, HEATER DRIVER	£0.00	1
7	PFKL937322	84104S2A000	DUCT, R. SIDE DEFROSTER	£0.00	1
8	PFKL939094	84154S2A000	DUCT, L. SIDE DEFROSTER	£0.00	1
9	PFKL998053	90654SA5003	CLIP, JOINT COVER	£3.82	1
10	PFKL1020800	9391314120	SCREW, TAPPING, 4X10	£1.49	4
11	PFKL1020813	9391314420	SCREW, TAPPING, 4X16 (PO)	£1.49	0
12	PFKL847844	77412S2A003	SEAL B	£0.00	1
13	PFKL848053	77421S2A003	SEAL	£0.00	1
14	PFKL848073	77426S2A003	SEAL	£0.00	1
15	PFKL848356	77431S2A003	SEAL	£0.00	1

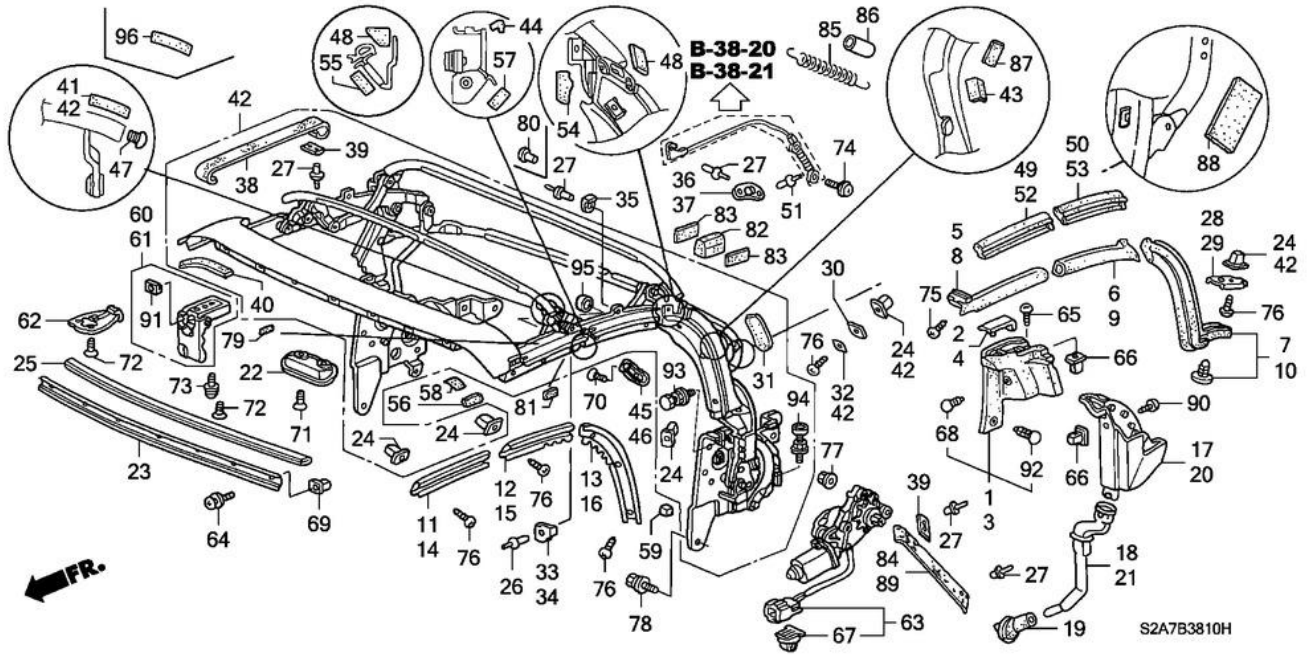
B-37-41 CONSOLE ('04-)



Ref	Part No	Honda Part No	Description	Price (Each)	Req Qty
1	PFKL570649	39600S10A01	SOCKET ASSY., ACCESSORY	£57.76	1
2	PFKL570888	39620S01A01	SOCKET, ACCESSORY	£46.97	1
3	PFKL570920	39621S01A01	COVER, SOCKET	£13.00	1
4	PFKL570931	39623S10A01	CAP, SOCKET	£10.91	1
5	PFKL754692	66418SA5000	STOPPER, GLOVE BOX LID	£4.93	4
6	PFKL2030634	77231S2AA52ZA	SEPARATOR SET *NH167L*	£13.58	1
7	PFKL2030635	77232S2AA52ZC	CUP HOLDER SET *NH167L 2*	£308.02	1
8	PFKL843408	77236S2AA51	LATCH	£9.02	1
9	PFKL850188	77540S2A901ZA	LOCK ASSY., RR. CONSOLE *NH167L*	£58.18	1
10	PFKL850262	77542S2A003	STRIKER, RR. CONSOLE	£0.00	1
11	PFKL853072	77720S2A000ZA	CASE COMP., ASHTRAY *NH167L*	£58.34	1
12	PFKL912518	83402S2AJ63ZA	ARMREST, CENTER CONSOLE (LEATHER) *NH167L*	£280.22	1
13	PFKL912635	83403S2AE51ZD	PANEL, CENTER CONSOLE SWITCH *NH646L*	£0.00	1
14	PFKL913270	83413S2AJ51ZA	GARNISH, CHANGE LEVER BOOT *NH167L*	£28.55	1
15	PFKL913341	83414S2AJ51ZA	BOOT, CHANGE LEVER *NH167L*	£0.00	1
16	PFKL913383	83415S30003	KNOB, ARMREST	£0.00	1
17	PFKL913503	83420S2AE51ZC	CONSOLE SET, CENTER *NH167L 2*	£636.32	1
18	PFKL914702	83480S3N003ZH	ASHTRAY ASSY., L. RR. DOOR LINING *NH167L*	£47.89	1
19	PFKL942795	84554S2A000	MAT, UPPER RR. CONSOLE	£10.45	1
20	PFKL942810	84556S2A003ZA	BOARD ASSY., RR. CONSOLE BACK *NH167L*	£36.62	1
21	PFKL942814	84560S2A003ZA	BOX, RR. CONSOLE *NH167L*	£108.79	1
22	PFKL942859	84570S2AA01ZA	CONSOLE SET, RR. *NH167L*	£269.38	1
23	PFKL942912	84580S2AA00ZA	SCREEN ASSY., AERO *NH167L*	£704.54	1
24	PFKL942915	84581S2AA00	BOLT, TRUSS 5X20	£7.32	2
25	PFKL942918	84582S2AA00ZA	CAP, TAPPING SCREW *NH167L*	£8.70	2
26	PFKL985579	90134S30003	SCREW, EARTH, 5X18	£3.88	4
27	PFKL986077	90144SP0000	SCREW, TAPPING, 4X16 (PO)	£4.06	6

28	PFKL997317	90610SR3003	CLIP, GARNISH (KATO)	£3.16	6
29	PFKL998737	90666S84A01	CLIP, SNAP FITTING	£4.16	5
30	PFKL1014444	91640SM4003	GROMMET, SCREW, 4MM	£4.96	2
31	PFKL1014453	91641SM4003	GROMMET, SCREW, 4MM	£4.96	1
32	PFKL1019525	938910401207	SCREW-WASHER, 4X12	£1.56	1
33	PFKL1020806	9391314280	SCREW, TAPPING, 4X12 (PO)	£1.49	4
34	PFKL1020814	9391314480	SCREW, TAPPING, 4X16 (PO)	£1.13	0
35	PFKL1021173	94021050700S	NUT, CAP, 5MM	£1.56	2

B-38-10 SOFT TOP FRAME

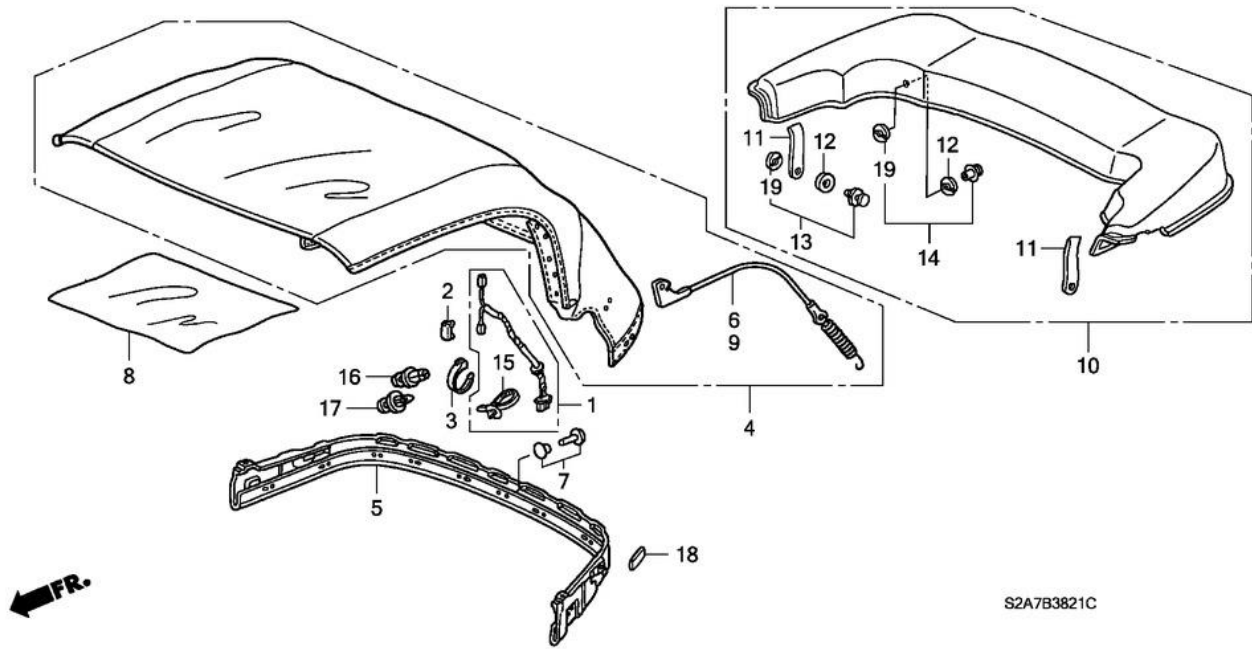


Ref	Part No	Honda Part No	Description	Price (Each)	Req Qty
1	PFKL783781	72311S2A003	WEATHERSTRIP, R. CENTER PILLAR OUTER	£109.61	1
2	PFKL783797	72313S2A003	CAP, R. WEATHERSTRIP CENTER PILLAR OUTER	£6.90	1
3	PFKL784575	72351S2A003	WEATHERSTRIP, L. CENTER PILLAR OUTER	£102.70	1
4	PFKL784584	72353S2A003	CAP, L. WEATHERSTRIP CENTER PILLAR OUTER	£6.90	1
5	PFKL785135	72381S2A013	WEATHERSTRIP, R. ROOF SIDE DOOR	£54.31	1
6	PFKL785144	72382S2A013	WEATHERSTRIP, R. ROOF CORNER DOOR	£67.84	1
7	PFKL785149	72383S2A013	WEATHERSTRIP, R. CENTER PILLAR	£88.74	1
8	PFKL785177	72391S2A013	WEATHERSTRIP, L. ROOF SIDE DOOR	£54.31	1
9	PFKL785180	72392S2A013	WEATHERSTRIP, L. ROOF CORNER DOOR	£67.84	1
10	PFKL785183	72393S2A013	WEATHERSTRIP, L. CENTER PILLAR	£88.74	1
11	PFKL785427	72421S2A013	RETAINER, R. ROOF	£52.72	1
12	PFKL785431	72422S2A013	RETAINER, R. ROOF CORNER	£52.72	1
13	PFKL785434	72423S2A013	RETAINER, R. CENTER PILLAR	£57.97	1
14	PFKL785774	72461S2A013	RETAINER, L. ROOF	£50.68	1
15	PFKL785795	72462S2A013	RETAINER, L. ROOF CORNER	£50.68	1
16	PFKL785800	72463S2A013	RETAINER, L. CENTER PILLAR	£55.76	1
17	PFKL804438	74867S2A013	TANK ASSY., R. DRAIN	£91.45	1
18	PFKL804443	74868S2A003	PIPE, R. DRAIN LOWER	£0.00	1
19	PFKL804445	74869S2A000	PLUG, DRAIN	£7.34	2
20	PFKL804628	74877S2A013	TANK ASSY., L. DRAIN	£91.45	1
21	PFKL804629	74878S2A003	PIPE, L. DRAIN LOWER	£0.00	1
22	PFKL947156	86001S2A003	HANDLE, SOFT TOP	£14.95	1
23	PFKL947157	86002S2A003	PLATE, HOLDER SOFT TOP	£16.07	1
24	PFKL947158	86003S2A003	SCREW, GROMMET, 4MM	£3.88	20
25	PFKL947159	86004S2A003	TRIM, SOFT TOP	£13.73	1
26	PFKL947160	86005S2A003	RIVET	£3.44	2
27	PFKL947161	86006S2A003	RIVET	£3.44	14

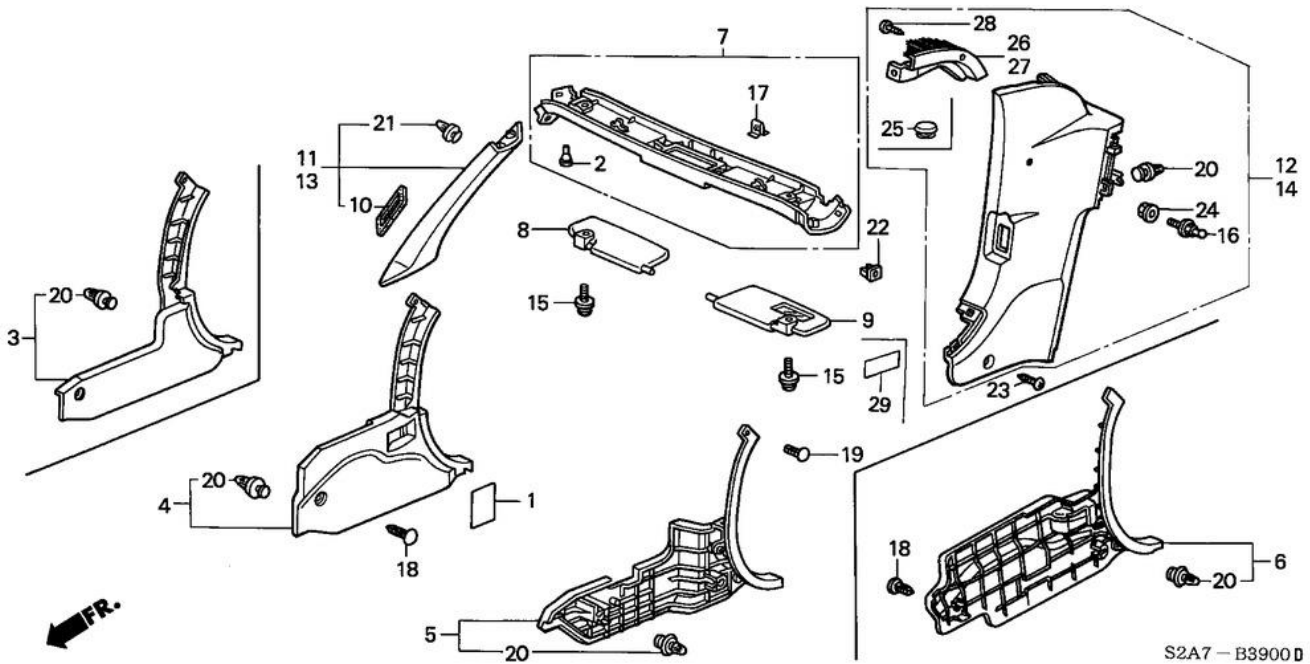
28	PFLK947162	86007S2A003	PLATE A, R. SET	£2.47	1
29	PFLK947163	86008S2A003	PLATE A, L. SET	£2.47	1
30	PFLK947164	86009S2A003	PLATE B, SET	£0.00	2
31	PFLK947165	86010S2A003	SILENCER	£0.00	2
32	PFLK947167	86011S2A013	TAPE, SEAL	£3.60	2
33	PFLK947168	86012S2A003	STOPPER C, R. LINK	£5.33	1
34	PFLK947169	86013S2A003	STOPPER C, L. LINK	£5.33	1
35	PFLK947171	86014S2A013	STOPPER B, LINK	£6.37	2
36	PFLK947173	86015S2A033	GUIDE, R. CABLE	£0.00	1
37	PFLK947175	86016S2A033	GUIDE, L. CABLE	£0.00	1
38	PFLK947179	86020S2AJ01	BAND	£20.08	2
39	PFLK947181	86021S2A003	BAND SET, PLATE	£4.28	4
40	PFLK947183	86022S2A003	TAPE	£4.24	2
41	PFLK947184	86023S2A003	TRIM, COVER	£3.55	2
42	PFLK947185	86024S2AJ01	FRAME COMP.	£2,188.81	1
43	PFLK947188	86025S2AJ02	TAPE, PROTECTION	£12.12	2
44	PFLK947190	86026S2A003	TAPE A, SEAL	£3.60	2
45	PFLK947191	86027S2A003	COVER, R. FR. BOW	£0.00	1
46	PFLK947192	86028S2A003	COVER, L. FR. BOW	£0.00	1
47	PFLK947193	86029S2A003	CAP, END	£7.44	2
48	PFLK947194	86030S2A003	TAPE B, SEAL	£3.60	4
49	PFLK947196	86031S2A013	PROTECTOR, R. SOFT TOP ROOF A	£33.24	1
50	PFLK947198	86032S2A013	PROTECTOR, R. SOFT TOP ROOF B	£54.04	1
51	PFLK947199	86033S2A003	RIVET	£3.44	4
52	PFLK947201	86036S2A013	PROTECTOR, L. SOFT TOP ROOF A	£33.24	1
53	PFLK947203	86037S2A013	PROTECTOR, L. SOFT TOP ROOF B	£54.04	1
54	PFLK947204	86040S2A003	SEAL, TAPE (C)	£8.24	2
55	PFLK947205	86041S2A003	SEAL, TAPE (D)	£8.24	2
56	PFLK947206	86042S2A003	SEAL, TAPE (E)	£0.00	2
57	PFLK947207	86043S2A003	SEAL, TAPE (F)	£8.24	2
58	PFLK947208	86044S2A003	SEAL, TAPE (G)	£0.00	2
60	PFLK947334	86250S2AJ01	LOCK ASSY., R. HANDLE	£208.07	1
61	PFLK947338	86260S2AJ01	LOCK ASSY., L. HANDLE	£208.07	1
62	PFLK947345	86270S2A902	STRIKER ASSY., HARD TOP	£49.30	0
62	PFLK947341	86270S2AJ01	STRIKER, SOFT TOP	£49.30	2
63	PFLK947401	86400S2A003	MOTOR, SOFT TOP	£387.55	2
64	PFLK982834	90114S2A000	SCREW, TAPPING, 4X12(BLACK)	£3.35	7
65	PFLK985755	90137SD2003	SCREW, TAPPING, 4X12 (SUS)	£6.04	2
66	PFLK1011828	91503SK7013	GROMMET, SCREW (4MM)	£4.74	4
67	PFLK1012516	91533S04003	CLIP, COUPLER (NATURAL)	£2.70	2
68	PFLK1013511	91567SR2013	CLIP	£3.46	2
69	PFLK1014175	91605S2A003	GROMMET, SCREW (M4)	£3.35	9
70	PFLK1018970	93600040080G	SCREW, FLAT, 4X8	£1.49	2
71	PFLK1019075	93600060120G	SCREW, FLAT, 6X12	£1.56	2
72	PFLK1019091	93600060160G	SCREW, FLAT, 6X16	£1.56	6
73	PFLK985284	90131S0XA00	SCREW, TRUSS, 6X16	£3.37	2

74	PFKL1020085	938940601007	SCREW-WASHER, 6X10	£1.39	2
75	PFKL1020629	93903443G0	SCREW, TAPPING, 4X12	£2.15	2
76	PFKL1020630	93903443J0	SCREW, TAPPING, 4X12	£2.15	20
77	PFKL1021317	9405006000	NUT, FLANGE, 6MM	£2.38	6
78	PFKL1017186	934010801608	BOLT-WASHER, 8X16	£1.91	10
79	PFKL947210	86047S2A003	TAPE, PROTECTION	£0.00	2
80	PFKL947211	86048S2A003	RIVET	£3.44	2
81	PFKL947212	86049S2A003	TAPE (BUTYL)	£3.55	2
82	PFKL947402	86445S2A000	RUBBER, SOFT TOP LINK SPACER	£13.43	0
84	PFKL947213	86050S2AJ01	BAND A, R.	£20.08	1
85	PFKL947214	86051S2AJ01	SPRING A	£14.72	2
86	PFKL947215	86052S2AJ01	COVER, SPRING	£11.69	2
87	PFKL947218	86054S2AJ02	TAPE C, PROTECTION	£7.91	2
88	PFKL947219	86055S2AJ01	TAPE D, PROTECTION	£7.91	2
89	PFKL947220	86056S2AJ01	BAND A, L.	£20.08	1
90	PFKL985755	90137SD2003	SCREW, TAPPING, 4X12 (SUS)	£6.04	2
91	PFKL947337	86251S2A901	RUBBER	£4.57	2
92	PFKL1013517	91567S2A003	CLIP B	£3.10	2
93	PFKL947222	86105S2A003	STOPPER ASSY., LINK	£0.00	2
94	PFKL947223	86106S2A003	STOPPER ASSY., LINK	£21.90	2
95	PFKL947224	86107S2A003	CAP, STOPPER	£0.00	2

B-38-21 SOFT TOP CLOTH ('02-)



Ref	Part No	Honda Part No	Description	Price (Each)	Req Qty
1	PFKL482620	32119S2A000	SUB CORD, RR. DEFROSTER	£74.51	1
2	PFKL792902	73223S2AJ01	COVER, RR. WINDSHIELD HARNESS HOLDER	£5.83	1
3	PFKL947216	86053S2AJ01	BAND	£8.56	1
4	PFKL947356	86310S2AJ03	CLOTH ASSY., TOP (GLASS) (BLACK)	£1,860.28	1
4	PFKL947359	86310S2AN03	CLOTH ASSY., TOP (GLASS) (BLUE)	£1,860.28	0
5	PFKL947369	86314S2A003	RAIN RAIL, SOFT TOP	£234.79	1
6	PFKL947375	86319S2AJ01	WIRE, R. TENSION	£29.94	1
7	PFKL947377	86320S2A003	RIVET (SERVICE)	£6.76	0
8	PFKL947379	86321S2A003	CLOTH, TOP (300X300)(BLACK) (SERVICE)	£39.86	0
8	PFKL2796832	86321S2AN02	CLOTH, TOP (300X300)(BLUE) (SERVICE)	£0.00	0
9	PFKL947381	86329S2AJ01	WIRE, L. TENSION	£29.94	1
10	PFKL947395	86380S2A902	COVER, SOFT TOP	£777.61	1
11	PFKL947398	86381S2A901	STRAP	£0.00	2
12	PFKL947400	86385S2A000	WASHER, SLIDING	£3.02	4
13	PFKL990463	90316S2A000	HOOK, FEMALE (COVER)	£26.84	2
14	PFKL990475	90318S2A000	HOOK, FEMALE LONG	£42.53	2
15	PFKL1012610	91541S0A003	CLIP, HARNESS BAND (BLACK) (145MM)	£3.38	1
16	PFKL1012639	91545SE0003	CLIP ASSY., 8MM	£6.47	2
17	PFKL1012282	91517SJ8003	PIN, CLIP, 8.5MM	£3.84	2
18	PFKL947221	86056S2A000	TAPE, SEAL (J)	£4.14	2
19	PFKL947399	86383S2A901	WASHER	£0.00	4

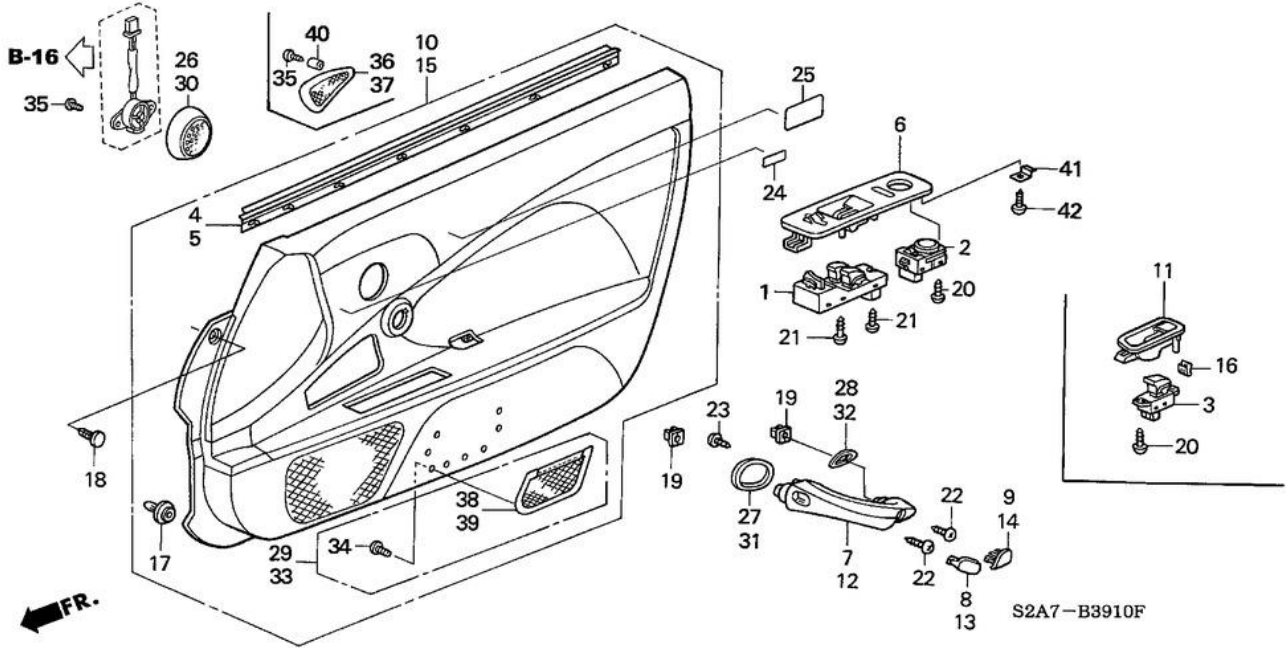


S2A7 - B3900 D

Ref	Part No	Honda Part No	Description	Price (Each)	Req Qty
1	PFKL557543	38205S2AJ00	LABEL, FUSE	£7.46	1
2	PFKL754700	66418579000	STOPPER, GLOVE BOX LID	£6.70	2
4	PFKL905396	83113S2AJ00ZA	LINING, R. COWL SIDE *NH167L*	£0.00	1
5	PFKL906068	83161S2AE00ZA	LINING, L. COWL SIDE *NH167L*	£0.00	1
7	PFKL907341	83205S2A000ZA	GARNISH ASSY., FR. ROOF RAIL *NH167L*	£117.04	1
8	PFKL908506	83230S2AE00ZA	SUNVISOR ASSY., R. *NH167L*	£109.15	1
9	PFKL910269	83280S2AE00ZA	SUNVISOR ASSY., L. (MIRROR) *NH167L*	£144.34	1
10	PFKL937279	84102S2A000	SEAL A	£9.25	2
11	PFKL937304	84103S2A000ZA	GARNISH SET, R. FR. PILLAR *NH167L*	£68.88	1
12	PFKL938708	84141S2A010ZA	GARNISH, R. RR. SIDE *NH167L*	£106.39	1
13	PFKL939090	84153S2A000ZA	GARNISH SET, L. FR. PILLAR *NH167L*	£68.88	1
14	PFKL939908	84191S2AJ00ZA	GARNISH, L. RR. SIDE *NH167L*	£106.39	0
14	PFKL939912	84191S2A010ZA	GARNISH, L. RR. SIDE *NH167L*	£0.00	1
15	PFKL985406	90132S2A000	SCREW-WASHER, 5X20	£4.75	2
16	PFKL990472	90317S2A003	HOOK, MALE	£12.52	2
17	PFKL997320	90610SX0003	CLIP, GARNISH	£3.92	2
18	PFKL999037	90667S0D003ZH	CLIP, TRIM, 7MM *NH167L*	£3.85	1
19	PFKL1011877	91504SD5901	CLIP, WASHER MOUTH	£2.87	2
20	PFKL1013292	91560SZ3003	CLIP, DOOR LINING (NATURAL)	£4.36	5
21	PFKL1013306	91560S84A11	CLIP, PILLAR GARNISH (BLACK)	£4.88	4
22	PFKL1014453	91641SM4003	GROMMET, SCREW, 4MM	£4.96	2
23	PFKL1020814	9391314480	SCREW, TAPPING, 4X16 (PO)	£1.13	2
24	PFKL1021317	9405006000	NUT, FLANGE, 6MM	£2.38	2
25	PFKL907270	83201SS0000ZB	CAP, SUNROOF MAINTENANCE *NH167L*	£4.00	1
26	PFKL938735	84142S2A000	BRUSH COMP., R.	£51.22	1
27	PFKL939935	84192S2A000	BRUSH COMP., L.	£51.22	1
28	PFKL1020806	9391314280	SCREW, TAPPING, 4X12 (PO)	£1.49	4

29	PFKL761214	69313S2AG00	LABEL, HARD TOP INFORMATION	£12.08	0
----	----------------------------	-------------	-----------------------------	--------	---

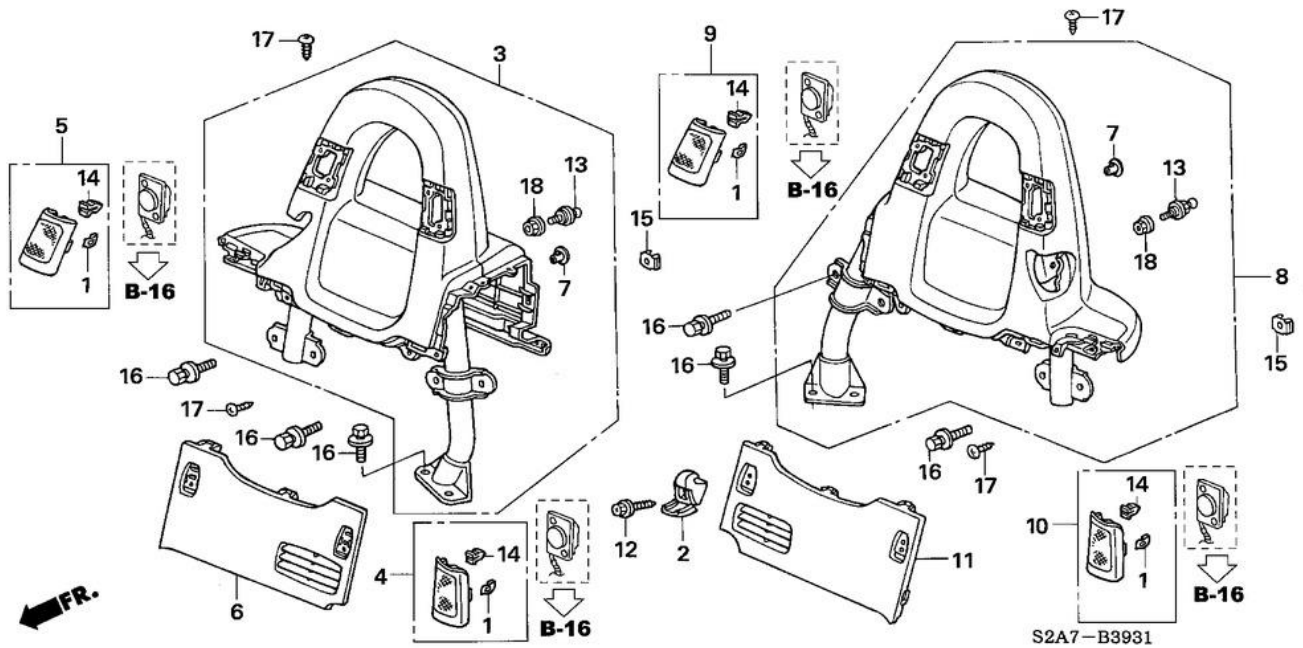
B-39-10 DOOR LINING



Ref	Part No	Honda Part No	Description	Price (Each)	Req Qty
1	PFKL534461	35750S2AJ02	SWITCH ASSY., POWER WINDOW MASTER	£276.36	1
2	PFKL534629	35753SR2003	SWITCH COMP., REMOTE CONTROL MIRROR	£179.20	1
3	PFKL534968	35760S2A003	SUB SWITCH ASSY., POWER WINDOW	£130.22	1
4	PFKL784347	72335S2A003	WEATHERSTRIP, R. DOOR INNER	£23.76	1
5	PFKL785045	72375S2A003	WEATHERSTRIP, L. DOOR INNER	£23.76	1
6	PFKL918372	83511S2A003ZC	PANEL, POWER WINDOW MASTER *R145L*	£0.00	1
6	PFKL918370	83511S2A003ZA	PANEL, POWER WINDOW MASTER *NH167L*	£0.00	1
7	PFKL919068	83520S2A003ZA	GRIP, R. DOOR LINING *NH167L*	£47.66	1
8	PFKL919107	83521S2A003ZA	CAP A, R. GRIP *NH167L*	£4.32	1
9	PFKL919119	83522S2A003ZA	CAP B, R. GRIP *NH167L*	£4.32	1
10	PFKL919342	83530S2AJ63ZF	LINING COMP., R. FR. DOOR (LEATHER) *R153L*	£579.47	1
10	PFKL919341	83530S2AJ63ZB	LINING COMP., R. FR. DOOR (LEATHER) *NH167L*	£579.47	1
11	PFKL923123	83561S2A003ZC	PANEL, L. POWER WINDOW SUB SWITCH *R145L*	£0.00	1
11	PFKL923121	83561S2A003ZA	PANEL, L. POWER WINDOW SUB SWITCH *NH167L*	£0.00	1
12	PFKL923363	83570S2A003ZA	GRIP, L. DOOR LINING *NH167L*	£47.66	1
13	PFKL923400	83571S2A003ZA	CAP A, L. GRIP *NH167L*	£4.32	1
14	PFKL923410	83572S2A003ZA	CAP B, L. GRIP *NH167L*	£4.32	1
15	PFKL923509	83580S2AJ63ZB	LINING COMP., L. FR. DOOR (LEATHER) *NH167L*	£579.47	1
15	PFKL923510	83580S2AJ63ZF	LINING COMP., L. FR. DOOR (LEATHER) *R153L*	£0.00	1
16	PFKL999005	90667SL4003	CLIP, SNAP FITTING	£2.88	1
17	PFKL1013305	91560S84A01	CLIP, DOOR LINING (NATURAL)	£4.36	12
18	PFKL1013345	91561SM4013ZA	CLIP, DOOR LINING *NH167L*	£3.96	2
19	PFKL1014372	91626SP0003	GROMMET, SCREW, 5MM	£8.24	4
20	PFKL1020256	9390132220	SCREW, TAPPING, 3X10	£1.08	4
21	PFKL1020262	9390132420	SCREW, TAPPING, 3X16	£1.49	3
22	PFKL1020668	9390345520	SCREW, TAPPING, 5X25	£1.56	4
23	PFKL1020805	9391314220	SCREW, TAPPING, 4X12	£1.49	4

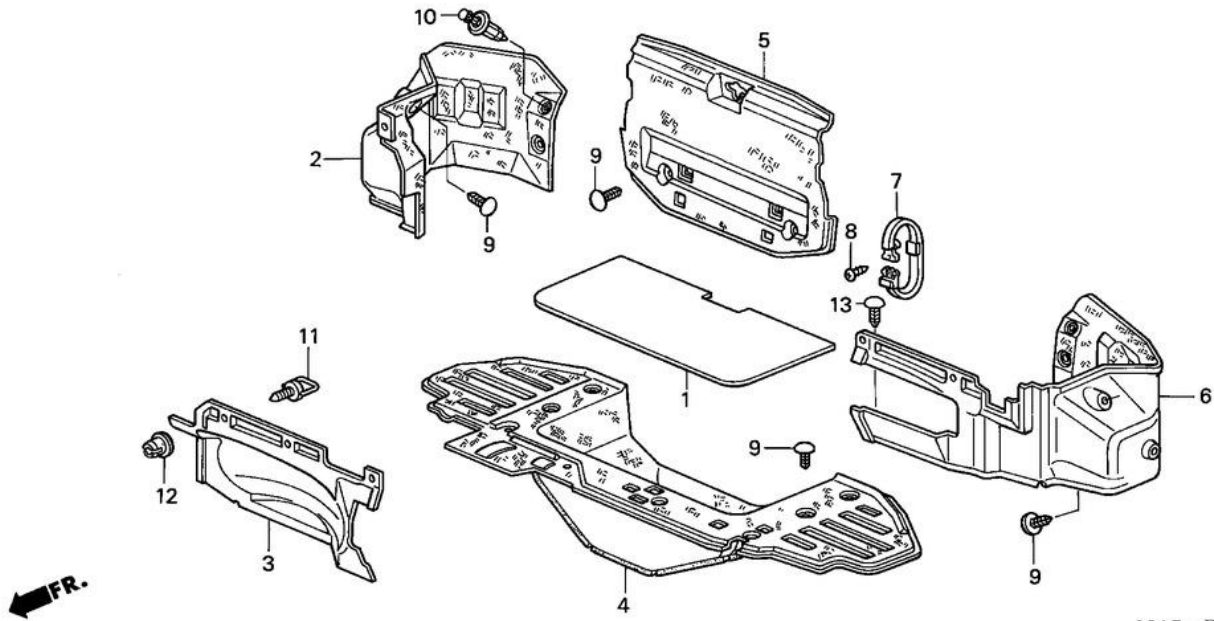
27	PFL916992	83502S2A003ZB	RING, R. UPPER *NH472L*	£36.67	1
28	PFL917244	83503S2A003ZD	RING, R. LOWER *NH472L*	£0.00	1
31	PFL922517	83552S2A003ZB	RING, L. UPPER *NH472L*	£36.67	1
32	PFL922705	83553S2A003ZD	RING, L. LOWER *NH472L*	£0.00	1
34	PFL985390	90132SS0000	SCREW, TAPPING, 4X10 (PO)	£5.44	0
35	PFL1020800	9391314120	SCREW, TAPPING, 4X10	£1.49	4
36	PFL916723	83501S2AJ51ZA	GRILLE, R. TWEETER *NH167L*	£70.64	1
37	PFL922360	83551S2AJ51ZB	GRILLE, L. TWEETER *NH167L*	£66.25	1
38	PFL920108	83540S2AJ51ZB	NET COMP., R. FR. DOOR SIDE *NH167L*	£141.38	1
39	PFL924124	83590S2AJ51ZB	NET COMP., L. FR. DOOR SIDE *NH167L*	£132.50	1
40	PFL917457	83504S2AJ51	COLLAR	£0.00	4
41	PFL918585	83515S2A003	BRACKET, DRIVER GARNISH	£0.00	1
42	PFL1020607	9390342180	SCREW, TAPPING, 3X8	£0.00	1

B-39-31 ROLL BAR GARNISH ('06-)



Ref	Part No	Honda Part No	Description	Price (Each)	Req Qty
1	PFKL839270	77205S0XA01	CLIP, SNAP FITTING	£2.94	8
2	PFKL913678	83425S2A000ZA	HANGER, CONSOLE *NH167L*	£10.06	4
3	PFKL942230	84515S2AA51ZA	GARNISH COMP., R. ROLL BAR UPPER *NH167L*	£391.22	1
4	PFKL942243	84516S2AA51ZA	LID, R. ROLL BAR SPEAKER INNER *NH167L*	£18.29	1
5	PFKL942247	84517S2AA51ZA	LID, R. ROLL BAR SPEAKER OUTER *NH167L*	£18.29	1
6	PFKL942624	84525S2A000ZA	GARNISH ASSY., R. ROLL BAR LOWER *NH167L*	£40.26	1
7	PFKL942758	84535S2A000ZB	CAP, GARNISH *NH167L*	£3.12	2
8	PFKL942826	84565S2AA51ZA	GARNISH COMP., L. ROLL BAR UPPER *NH167L*	£391.22	1
9	PFKL942831	84566S2AA51ZA	LID, L. ROLL BAR SPEAKER INNER *NH167L*	£13.62	1
10	PFKL942833	84567S2AA51ZA	LID, L. ROLL BAR SPEAKER OUTER *NH167L*	£13.62	1
11	PFKL942895	84575S2A000ZA	GARNISH ASSY., L. ROLL BAR LOWER *NH167L*	£40.26	1
12	PFKL985722	90136S0A003	SCREW, ET, 5X28	£3.88	4
13	PFKL990472	90317S2A003	HOOK, MALE	£12.52	2
14	PFKL998678	90666SDAA01	CLIP, SNAP FITTING (PO) (NATURAL)	£5.90	8
15	PFKL1014453	91641SM4003	GROMMET, SCREW, 4MM	£4.96	6
16	PFKL1017438	934040802008	BOLT-WASHER, 8X20	£1.91	16
17	PFKL1020814	9391314480	SCREW, TAPPING, 4X16 (PO)	£1.13	8
18	PFKL1021317	9405006000	NUT, FLANGE, 6MM	£2.38	2

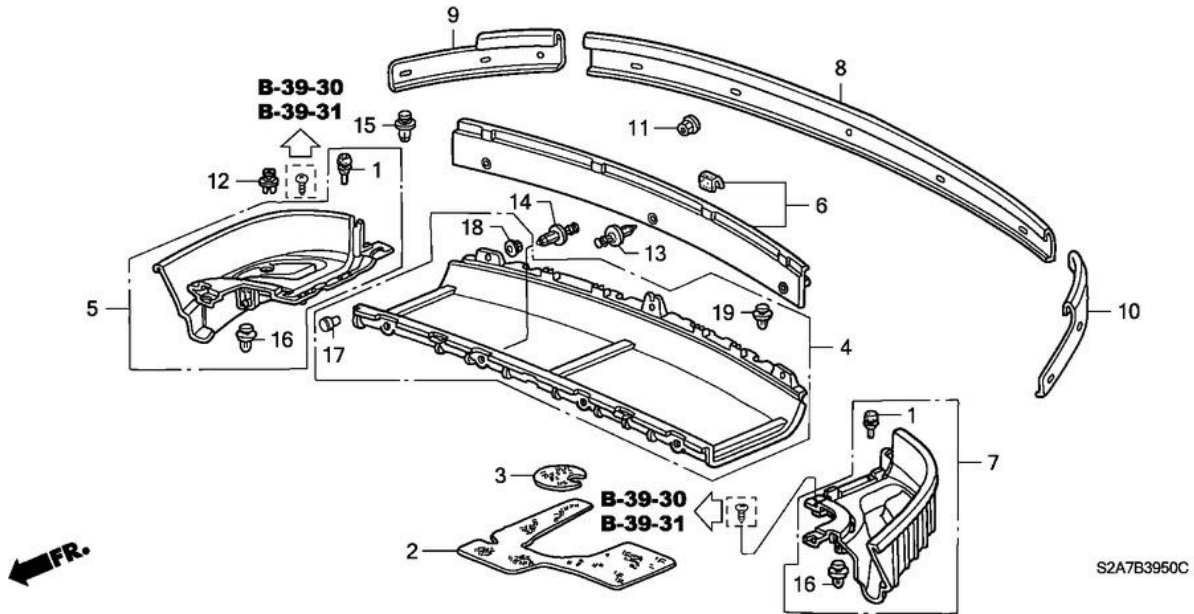
B-39-40 TRUNK LINING



S2A7 - B3940A

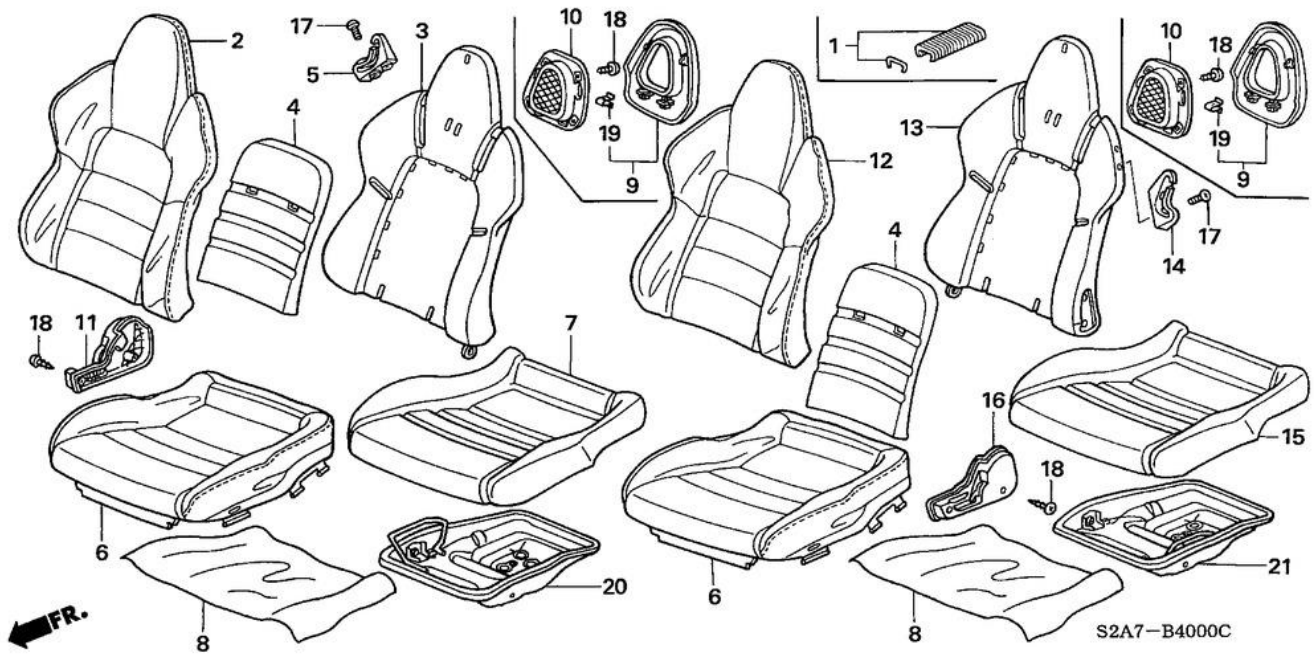
Ref	Part No	Honda Part No	Description	Price (Each)	Req Qty
1	PFKL942489	84521S2A003ZA	LID, TOOL BOX *NH85L*	£90.65	1
2	PFKL943112	84601S2A003ZA	LINING, R. TRUNK SIDE *NH85L*	£142.81	1
3	PFKL943315	84611S2A003ZA	LINING, SPARE TIRE COVER *NH85L*	£97.94	1
4	PFKL943543	84621S2A003ZA	LINING, TRUNK FLOOR *NH85L*	£253.86	1
5	PFKL943966	84640S2AE01ZB	LINING, RR. PANEL *NH85L*	£79.48	1
6	PFKL944305	84651S2A003ZA	LINING, L. TRUNK SIDE *NH85L*	£142.81	1
7	PFKL944375	84657S30000	BELT COMP., LASHING	£37.46	2
8	PFKL984695	90126SR4000	SCREW-WASHER, 5X16	£7.80	2
9	PFKL999294	90671S0D003ZK	CLIP, ROOF, 7MM *NH167L*	£3.20	17
10	PFKL1011950	91505ST7003ZA	CLIP, COWL TOP *NH167L*	£4.68	4
11	PFKL1012796	91550S10013	CLIP, RING PULL	£4.99	3
12	PFKL1012844	91551S10003	GROMMET, RING	£3.53	3
13	PFKL999037	90667S0D003ZH	CLIP, TRIM, 7MM *NH167L*	£3.85	1

B-39-50 REAR TRAY



Ref	Part No	Honda Part No	Description	Price (Each)	Req Qty
1	PFKL754702	66418688000	STOPPER, GLOVE BOX LID	£3.52	4
2	PFKL802414	74627S2A000	INSULATOR, FUEL HOUSING	£17.33	1
3	PFKL802415	74628S2A000	INSULATOR, FUEL MAINTENANCE LID	£0.00	1
4	PFKL941949	84500S2A010ZA	TRAY ASSY., RR. *NH167L*	£191.89	1
5	PFKL942017	84501S2A000ZA	GARNISH ASSY., R. RR. TRAY SIDE *NH167L*	£54.91	1
6	PFKL942046	84502S2A000ZA	GARNISH, RR. TRAY *NH167L*	£0.00	1
7	PFKL942785	84551S2A010ZA	GARNISH ASSY., L. RR. TRAY SIDE *NH167L*	£54.91	1
8	PFKL947366	86312S2AJ01	RETAINER, RR. LOWER SOFT TOP	£0.00	1
9	PFKL947368	86313S2A003	RETAINER, R. SIDE SOFT TOP	£0.00	1
10	PFKL947373	86318S2A003	RETAINER, L. SIDE SOFT TOP	£0.00	1
11	PFKL989126	90301SV7000	NUT, PAINT CUTTING, 6MM	£7.16	11
12	PFKL998211	90657SH3013	CLIP, TWO WAY VALVE COVER	£4.92	2
13	PFKL1011950	91505ST7003ZA	CLIP, COWL TOP *NH167L*	£4.68	3
14	PFKL1012639	91545SE0003	CLIP ASSY., 8MM	£6.47	4
15	PFKL1012788	91550SS0003	CLIP, SRS COVER	£4.99	2
16	PFKL1013305	91560S84A01	CLIP, DOOR LINING (NATURAL)	£4.36	2
17	PFKL942117	84505S2A000	STOPPER ASSY., RR. TRAY	£8.92	2
18	PFKL1021328	9405006080	NUT, FLANGE, 6MM	£2.23	2
19	PFKL1013305	91560S84A01	CLIP, DOOR LINING (NATURAL)	£4.36	4

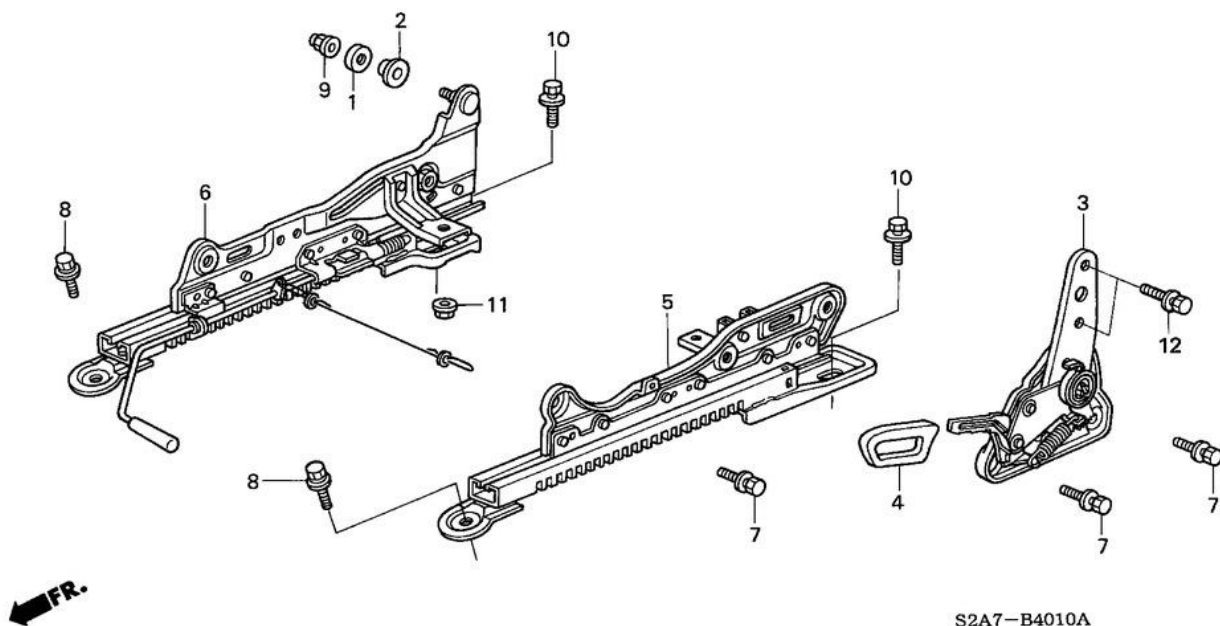
B-40 SEAT



Ref	Part No	Honda Part No	Description	Price (Each)	Req Qty
1	PFKL219719	04810SB3000	C CLIP SET, TRIM FASTENER (100 PIECES)	£8.71	1
1	PFKL219719	04810SB3000	C CLIP SET, TRIM FASTENER (30 PIECES)	£8.71	1
2	PFKL881044	81121S2AJ11ZA	COVER, R. FR. SEATBACK TRIM (LEATHER) *B135L*	£0.00	1
2	PFKL881045	81121S2AJ11ZB	COVER, R. FR. SEATBACK TRIM (LEATHER) *NH167L*	£0.00	1
2	PFKL881046	81121S2AJ11ZC	COVER, R. FR. SEATBACK TRIM (LEATHER) *R153L*	£0.00	1
2	PFKL881047	81121S2AJ11ZD	COVER, R. FR. SEATBACK TRIM (LEATHER) *YR344L*	£0.00	1
2	PFKL881048	81121S2AJ11ZE	COVER, R. FR. SEATBACK TRIM (LEATHER) *TYPEP* (BLACK/RED)	£0.00	1
3	PFKL881328	81122S2AJ12	PAD & FRAME COMP., R. FR. SEATBACK	£0.00	1
4	PFKL881374	81123S2AJ02	PAD COMP., FR. SEATBACK MAIN	£439.20	2
5	PFKL881762	81127S2A003ZA	GUIDE, R. SEATBELT *NH167L*	£20.22	1
6	PFKL883056	81131S2AA12ZA	COVER, FR. SEAT CUSHION TRIM (LEATHER) *NH167L*	£0.00	2
6	PFKL883057	81131S2AA12ZC	COVER, FR. SEAT CUSHION TRIM (LEATHER) *B135L*	£0.00	2
6			COVER, FR. SEAT CUSHION TRIM (LEATHER) *R153L*	£0.00	2
6			COVER, FR. SEAT CUSHION TRIM (LEATHER) *YR344L*	£0.00	2
6	PFKL883058	81131S2AA12ZJ	COVER, FR. SEAT CUSHION TRIM (LEATHER) *TYPEP* (BLACK/RED)	£0.00	2
7	PFKL883294	81132S2A013	PAD & FRAME COMP., R. FR. SEAT CUSHION	£651.54	1
8	PFKL883545	81137S2A003	CLOTH, WORSTED	£0.00	2
11	PFKL887903	81238S2A003ZA	COVER, R. RECLINING *NH167L*	£15.55	1
12	PFKL893177	81521S2AA51ZE	COVER, L. FR. SEATBACK TRIM (LEATHER) *TYPEP* (BLACK/RED)	£0.00	1
12	PFKL893176	81521S2AA51ZD	COVER, L. FR. SEATBACK TRIM (LEATHER) *YR344L*	£0.00	1
12	PFKL893175	81521S2AA51ZC	COVER, L. FR. SEATBACK TRIM (LEATHER) *R153L*	£0.00	1
12	PFKL893174	81521S2AA51ZB	COVER, L. FR. SEATBACK TRIM (LEATHER) *NH167L*	£0.00	1
12	PFKL893173	81521S2AA51ZA	COVER, L. FR. SEATBACK TRIM (LEATHER) *B135L*	£0.00	1
13	PFKL893393	81522S2AJ12	PAD & FRAME COMP., L. FR. SEATBACK	£0.00	1
14	PFKL893588	81527S2A003ZA	GUIDE, L. SEATBELT *NH167L*	£20.22	1

15	PFKL894645	81532S2A013	PAD & FRAME COMP., L. FR. SEAT CUSHION	£594.34	1
16	PFKL895900	81638S2A003ZA	COVER, L. RECLINING *NH167L*	£15.55	1
17	PFKL979331	90101SS1000	BOLT, 5X16	£5.24	4
18	PFKL985550	90134SE3003	SCREW, TAPPING, 5X10	£3.96	4
20	PFKL883490	81136S2A013	FRAME COMP., R. FR. SEAT CUSHION	£0.00	1
21	PFKL894749	81536S2A013	FRAME COMP., L. FR. SEAT CUSHION	£0.00	1

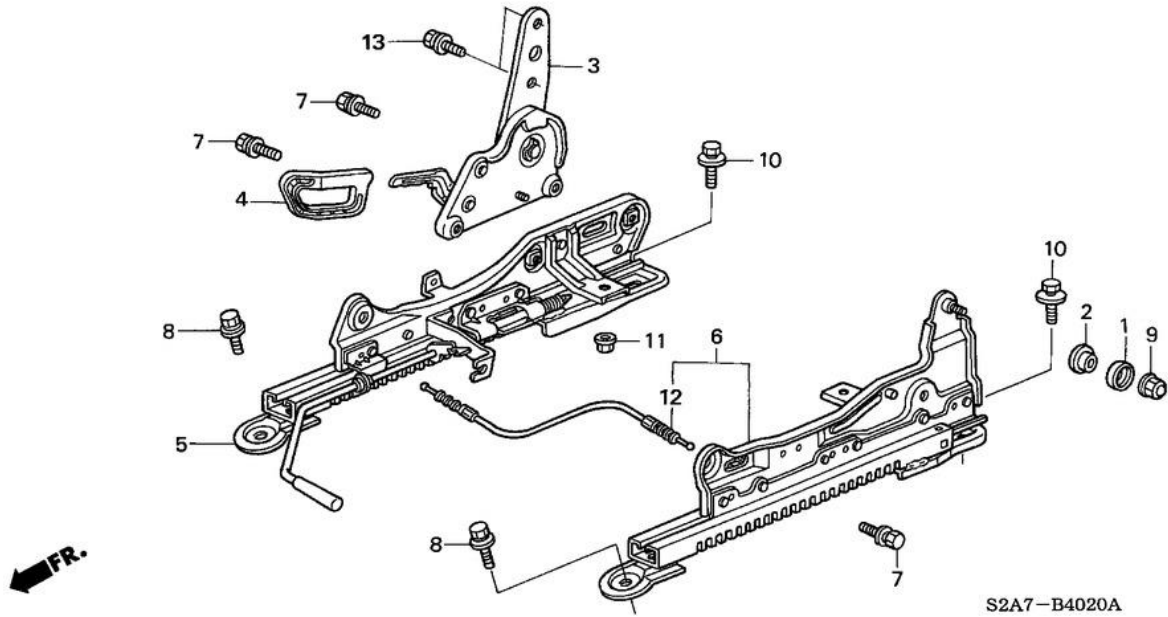
B-40-10 SEAT COMPONENTS (L.)



S2A7-B4010A

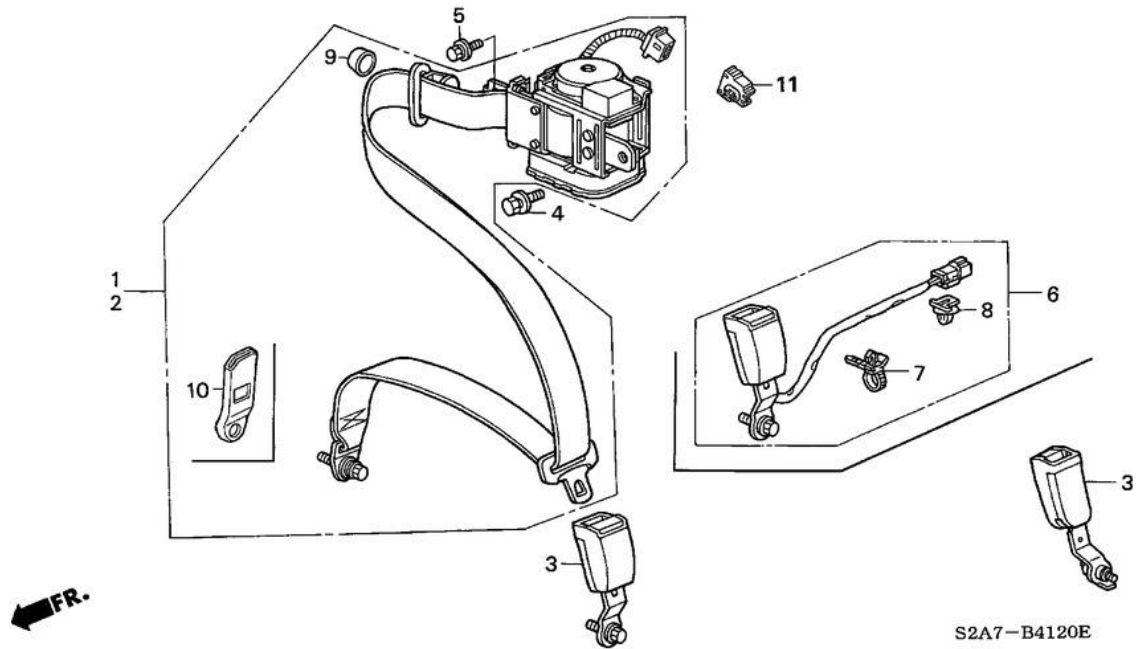
Ref	Part No	Honda Part No	Description	Price (Each)	Req Qty
1	PFKL839475	77209SB0003	WASHER, NYLON	£4.25	1
2	PFKL880073	81117S47003	BUSH, NYLON (TS TECH)	£6.01	1
3	PFKL895525	81630S2A013	ADJUSTER, L. RECLINING	£0.00	1
4	PFKL895608	81631S2A003ZA	KNOB, L. RECLINING *NH167L*	£10.70	1
5	PFKL896075	81660S2AA02	ADJUSTER, L. OUTER SLIDE	£177.71	1
6	PFKL896179	81670S2AA02	ADJUSTER, L. INNER SLIDE	£0.00	1
7	PFKL986039	90143SR3000	BOLT-WASHER, 10X22	£4.90	4
8	PFKL986679	90155SH3000	BOLT-WASHER, 8X25	£7.78	2
9	PFKL992765	90443KF9900	NUT, FLANGE CAP, 8MM	£4.67	1
10	PFKL1017518	934051002007	BOLT-WASHER, 10X20	£2.38	2
11	PFKL1021366	9407008080	NUT-WASHER, 8MM	£1.92	2
12	PFKL986043	90143SV4003	BOLT-WASHER, 10X22	£7.74	2

B-40-20 SEAT COMPONENTS (R.)



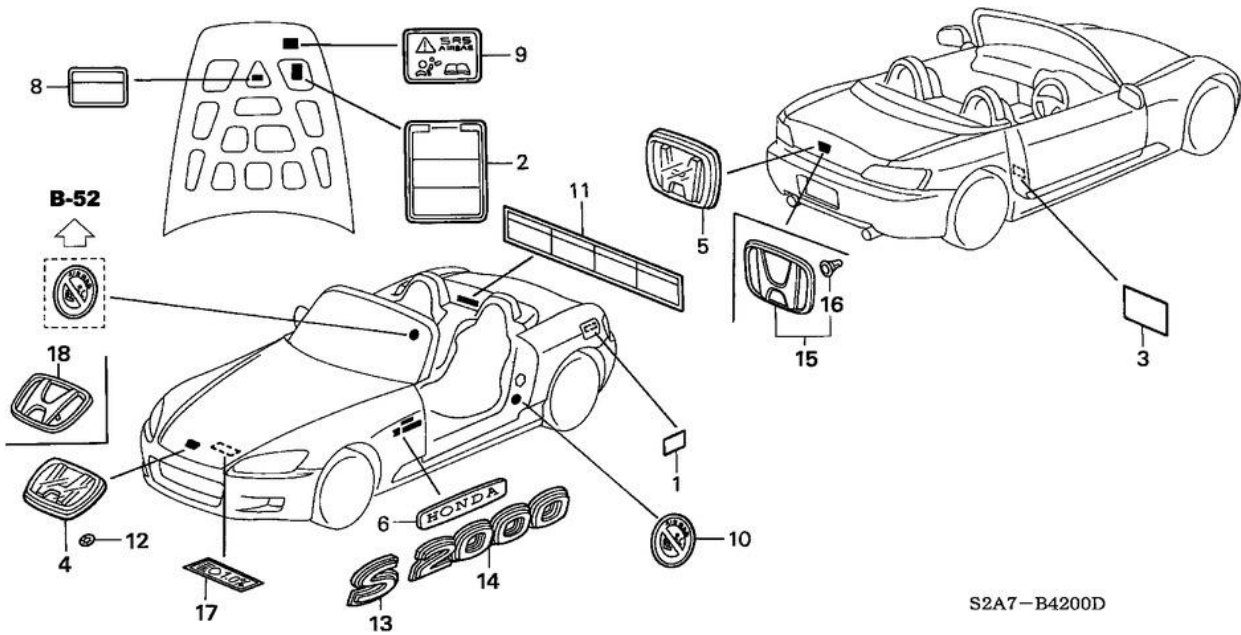
Ref	Part No	Honda Part No	Description	Price (Each)	Req Qty
1	PFKL839475	77209SB0003	WASHER, NYLON	£4.25	1
2	PFKL880073	81117S47003	BUSH, NYLON (TS TECH)	£6.01	1
3	PFKL887383	81230S2A013	ADJUSTER, R. RECLINING	£0.00	1
4	PFKL887499	81231S2A003ZA	KNOB, R. RECLINING *NH167L*	£10.70	1
5	PFKL888454	81260S2AE02	ADJUSTER, R. OUTER SLIDE	£0.00	1
6	PFKL888659	81270S2AE02	ADJUSTER, R. INNER SLIDE	£205.60	1
7	PFKL986039	90143SR3000	BOLT-WASHER, 10X22	£4.90	4
8	PFKL986679	90155SH3000	BOLT-WASHER, 8X25	£7.78	2
9	PFKL992765	90443KF9900	NUT, FLANGE CAP, 8MM	£4.67	1
10	PFKL1017518	934051002007	BOLT-WASHER, 10X20	£2.38	2
11	PFKL1021366	9407008080	NUT-WASHER, 8MM	£1.92	2
12	PFKL888521	81263S2AE01	CABLE	£27.07	1
13	PFKL986043	90143SV4003	BOLT-WASHER, 10X22	£7.74	2

B-41-20 SEATBELTS



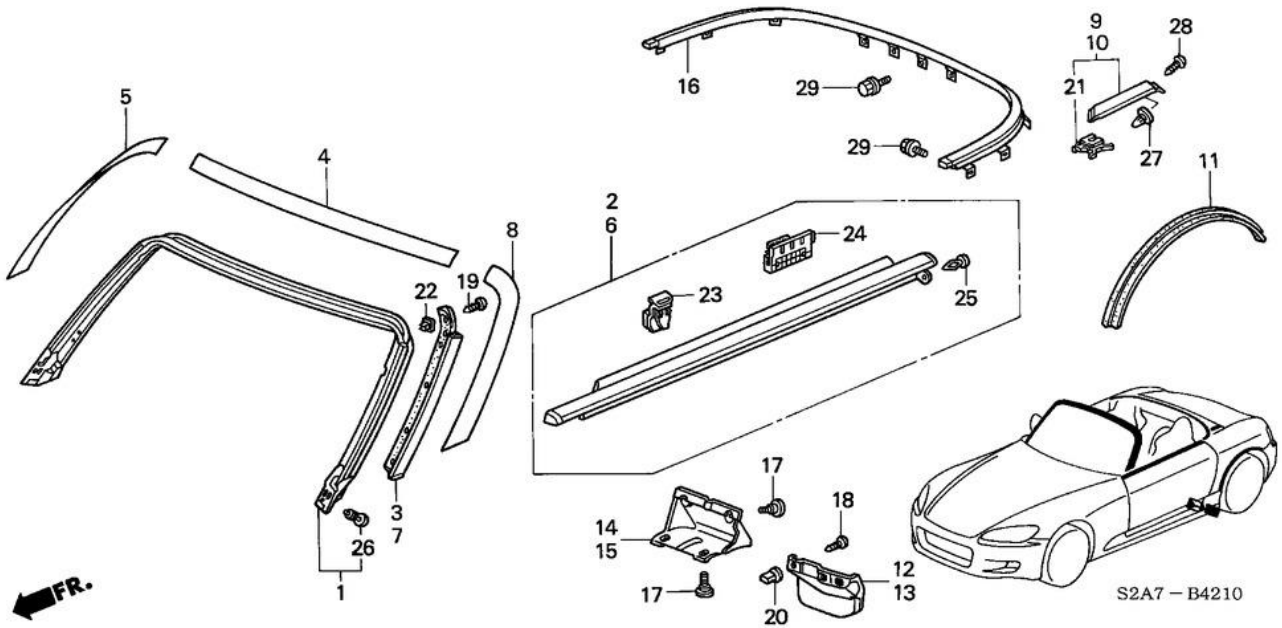
Ref	Part No	Honda Part No	Description	Price (Each)	Req Qty
1	PFKL891231	81450S2AG05ZA	TONGUE, R. FR. SEATBELT OUTER *NH167L*	£381.06	1
2	PFKL897052	81850S2AG05ZA	TONGUE, L. FR. SEATBELT OUTER *NH167L*	£381.06	1
3	PFKL897355	81855S2A004ZA	BUCKLE, L. FR. SEATBELT INNER *NH167L*	£121.55	1
4	PFKL979357	90101S84A00	SCREW, ET, 6X16	£3.23	2
5	PFKL986007	90142S04004	BOLT-WASHER, 7/16"X28	£7.42	2
6	PFKL891636	81455S2A004ZA	BUCKLE, R. FR. SEATBELT INNER *NH167L*	£180.40	1
7	PFKL1012597	91540S30003	CLIP, HARNESS BAND (NATURAL) (151.5MM)	£5.51	2
8	PFKL1013081	91555SM4003	CLIP, COUPLER (RED)	£3.16	1
9	PFKL892045	81493S2A004ZA	CAP, THROUGH ANCHOR *NH167L*	£6.77	2
10	PFKL890615	81420S2A004ZA	COVER, ANCHOR *NH167L*	£0.00	2

B-42 EMBLEMS/CAUTION LABELS



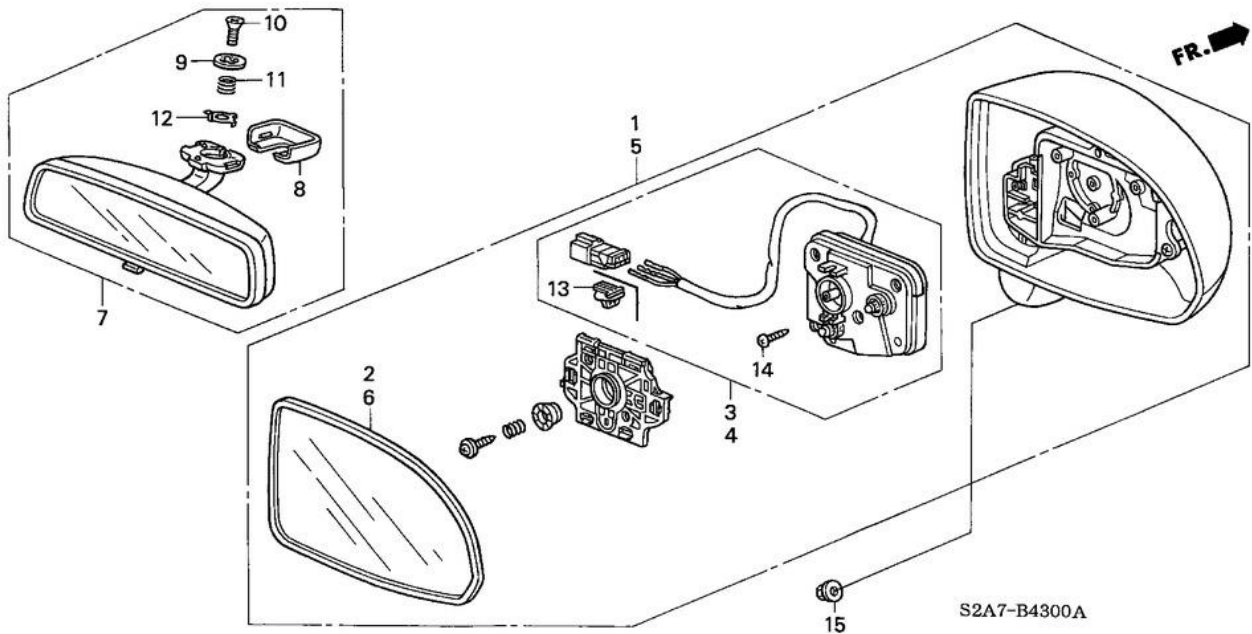
Ref	Part No	Honda Part No	Description	Price (Each)	Req Qty
1	PFKL372273	17669PCXG00	LABEL, FUEL FILLER CAUTION	£8.03	1
2	PFKL399962	19043PADG00	LABEL, COOLANT INFORMATION	£6.00	1
3	PFKL590088	42760S2AG10	PLATE, TIRE PRESSURE CAUTION	£7.46	1
6	PFKL813904	75711S2AG00	EMBLEM, SIDE (HONDA)	£23.54	2
8	PFKL853934	77873SDAE80	LABEL, STEERING COLUMN CAUTION (ENGLISH/FRENCH/GERMAN/DUTCH)	£4.42	1
9	PFKL853950	77875SDAG80	LABEL, SRS CAUTION	£5.46	1
10	PFKL861975	78527S04G80	LABEL, SRS CAUTION (CHILD SEAT)	£7.14	1
12	PFKL988034	90190SB2000	NUT, PUSH, 4MM	£3.70	2
13	PFKL813840	75710S2AG00	EMBLEM SET, SIDE (S)	£15.71	2
14	PFKL813953	75712S2AG00	EMBLEM SET, SIDE (2000)	£47.09	2
15	PFKL813772	75701S2AJ00	EMBLEM, RR. CENTER (H)	£24.01	1
16	PFKL1012190	91512SR3004	CLIP, TUBULAR	£3.46	2
17	PFKL502786	33406S2A000	LABEL, HEADLIGHT ADJUSTER CAUTION	£5.00	1
18	PFKL813632	75700S2AJ00	EMBLEM, FR. CENTER (H)	£24.01	1

B-42-10 MOLDING/PROTECTOR



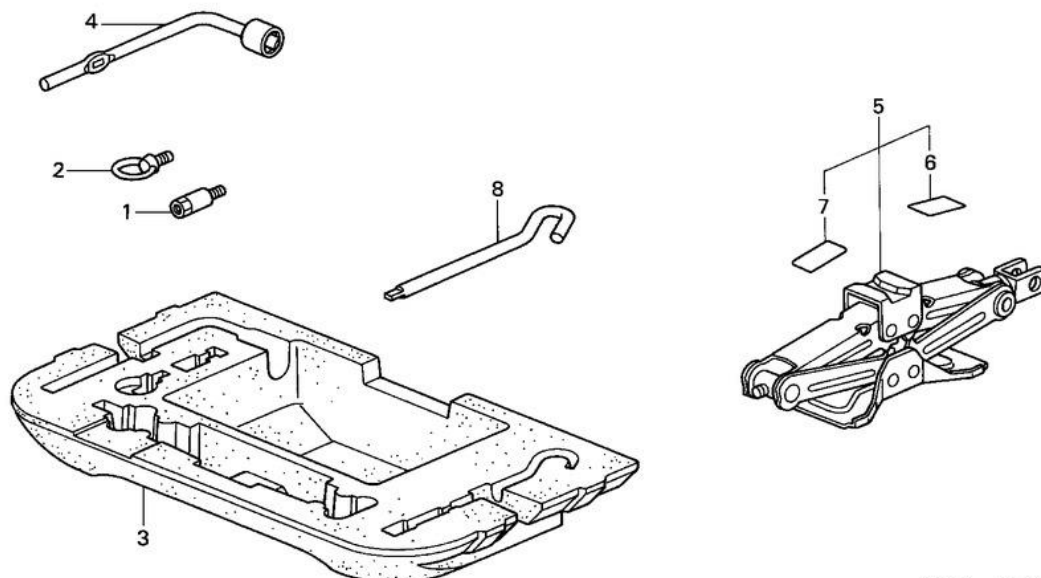
Ref	Part No	Honda Part No	Description	Price (Each)	Req Qty
1	PFKL783979	72320S2A043	WEATHERSTRIP, FR. ROOF PILLAR	£299.82	1
2	PFKL785312	72410S2A023	MOLDING ASSY., R. DOOR	£95.64	1
3	PFKL785420	72420S2A013	MOLDING ASSY., R. FR. PILLAR	£81.96	1
6	PFKL785676	72450S2A023	MOLDING ASSY., L. DOOR	£95.64	1
7	PFKL785767	72460S2A013	MOLDING ASSY., L. FR. PILLAR	£81.96	1
9	PFKL801131	74307S2A003ZP	MOLDING, R. RR. WINDSHIELD *B523P*	£0.00	1
9	PFKL801132	74307S2A003ZR	MOLDING, R. RR. WINDSHIELD *NH676M*	£64.19	1
9	PFKL801133	74307S2A003ZS	MOLDING, R. RR. WINDSHIELD *Y65P*	£0.00	1
9	PFKL801134	74307S2A003ZT	MOLDING, R. RR. WINDSHIELD *B545P*	£0.00	1
9	PFKL801135	74307S2A003ZU	MOLDING, R. RR. WINDSHIELD *YR564M*	£0.00	1
9	PFKL801130	74307S2A003ZN	MOLDING, R. RR. WINDSHIELD *YR536P*	£0.00	1
9	PFKL801129	74307S2A003ZM	MOLDING, R. RR. WINDSHIELD *R508P*	£0.00	1
9	PFKL801128	74307S2A003ZL	MOLDING, R. RR. WINDSHIELD *NH609P*	£0.00	1
9	PFKL801126	74307S2A003ZH	MOLDING, R. RR. WINDSHIELD *B513M*	£0.00	1
9	PFKL801124	74307S2A003ZE	MOLDING, R. RR. WINDSHIELD *R510*	£0.00	1
9	PFKL801123	74307S2A003ZD	MOLDING, R. RR. WINDSHIELD *NH630M*	£64.19	1
9	PFKL801121	74307S2A003ZB	MOLDING, R. RR. WINDSHIELD *NH547*	£64.19	1
10	PFKL801330	74317S2A003ZP	MOLDING, L. RR. WINDSHIELD *B523P*	£0.00	1
10	PFKL801331	74317S2A003ZR	MOLDING, L. RR. WINDSHIELD *NH676M*	£0.00	1
10	PFKL801332	74317S2A003ZS	MOLDING, L. RR. WINDSHIELD *Y65P*	£0.00	1
10	PFKL801333	74317S2A003ZT	MOLDING, L. RR. WINDSHIELD *B545P*	£0.00	1
10	PFKL801334	74317S2A003ZU	MOLDING, L. RR. WINDSHIELD *YR564M*	£0.00	1
10	PFKL801329	74317S2A003ZN	MOLDING, L. RR. WINDSHIELD *YR536P*	£0.00	1
10	PFKL801328	74317S2A003ZM	MOLDING, L. RR. WINDSHIELD *R508P*	£0.00	1
10	PFKL801327	74317S2A003ZL	MOLDING, L. RR. WINDSHIELD *NH609P*	£0.00	1
10	PFKL801325	74317S2A003ZH	MOLDING, L. RR. WINDSHIELD *B513M*	£64.19	1
10	PFKL801323	74317S2A003ZE	MOLDING, L. RR. WINDSHIELD *R510*	£64.19	1

10	PFLK801322	74317S2A003ZD	MOLDING, L. RR. WINDSHIELD *NH630M*	£64.19	1
10	PFLK801320	74317S2A003ZB	MOLDING, L. RR. WINDSHIELD *NH547*	£64.19	1
11	PFLK801691	74430SM4A00	PROTECTOR, RR. WHEEL ARCH	£25.19	2
12	PFLK801891	74475S2AJ00	STRAKE A, R. RR.	£19.63	1
13	PFLK801980	74485S2AJ00	STRAKE A, L. RR.	£19.63	1
14	PFLK802637	74685S2A000	STRAKE B, R. RR.	£27.43	1
15	PFLK802668	74695S2A000	STRAKE B, L. RR.	£27.43	1
16	PFLK804427	74866S2A033	MOLDING	£392.52	1
17	PFLK981967	90110SE0003	BOLT C, BUMPER	£5.24	8
18	PFLK982812	90114SE0000	SCREW, TAPPING, 5X20	£6.26	6
19	PFLK985755	90137SD2003	SCREW, TAPPING, 4X12 (SUS)	£6.04	10
20	PFLK998483	90664SB3003	GROMMET, SCREW, 5MM	£6.79	6
21	PFLK1011796	91502S2A003	CLIP, MOLDING	£6.22	2
22	PFLK1011828	91503SK7013	GROMMET, SCREW (4MM)	£4.74	10
23	PFLK1012372	91525S2A003	CLIP, DOOR MOLDING	£3.74	12
24	PFLK1013432	91563S2A013	STABILIZER, DOOR MOLDING	£31.36	2
25	PFLK1013493	91566SR2013	CLIP	£3.46	2
26	PFLK1013511	91567SR2013	CLIP	£3.46	4
27	PFLK1014489	91651SL4003	GROMMET, DRIP & RETAINER	£3.30	2
28	PFLK986189	90146SL4003	SCREW, TAPPING, 5X12	£7.04	2
29	PFLK1028250	957010601202	BOLT, FLANGE, 6X12	£1.91	12



Ref	Part No	Honda Part No	Description	Price (Each)	Req Qty
1	PFKL822374	76200S2AE11ZA	MIRROR ASSY., R. DOOR (HEATED) *B513M*	£342.34	1
1	PFKL822386	76200S2AE11ZN	MIRROR ASSY., R. DOOR (HEATED) *NH609P*	£0.00	1
1	PFKL822385	76200S2AE11ZM	MIRROR ASSY., R. DOOR (HEATED) *YR564M*	£342.34	1
1	PFKL822384	76200S2AE11ZL	MIRROR ASSY., R. DOOR (HEATED) *B545P*	£0.00	1
1	PFKL822383	76200S2AE11ZK	MIRROR ASSY., R. DOOR (HEATED) *Y65P*	£0.00	1
1	PFKL822382	76200S2AE11ZJ	MIRROR ASSY., R. DOOR (HEATED) *YR536P*	£0.00	1
1	PFKL822389	76200S2AE12ZH	MIRROR ASSY., R. DOOR (HEATED) *R510*	£342.34	1
1	PFKL822380	76200S2AE11ZG	MIRROR ASSY., R. DOOR (HEATED) *R508P*	£0.00	1
1	PFKL2156183	76200S2AE12ZF	MIRROR ASSY., R. DOOR (HEATED) *NH676M*	£342.34	1
1	PFKL822378	76200S2AE11ZE	MIRROR ASSY., R. DOOR (HEATED) *NH630M*	£342.34	1
1	PFKL822377	76200S2AE11ZD	MIRROR ASSY., R. DOOR (HEATED) *NH547*	£0.00	1
1	PFKL822375	76200S2AE11ZB	MIRROR ASSY., R. DOOR (HEATED) *B523P*	£342.34	1
2	PFKL823534	76203S2AG11	MIRROR SUB ASSY., R. (HEATED) (R1400)	£46.02	1
3	PFKL823759	76210S2AG11	ACTUATOR SET, R. (HEATED)	£0.00	1
4	PFKL823878	76215S2AG11	ACTUATOR SET, L. (HEATED)	£81.34	1
5	PFKL826365	76250S2AE11ZN	MIRROR ASSY., L. DOOR (HEATED) *NH609P*	£0.00	1
5	PFKL826364	76250S2AE11ZM	MIRROR ASSY., L. DOOR (HEATED) *YR564M*	£0.00	1
5	PFKL826363	76250S2AE11ZL	MIRROR ASSY., L. DOOR (HEATED) *B545P*	£0.00	1
5	PFKL826362	76250S2AE11ZK	MIRROR ASSY., L. DOOR (HEATED) *Y65P*	£0.00	1
5	PFKL826361	76250S2AE11ZJ	MIRROR ASSY., L. DOOR (HEATED) *YR536P*	£0.00	1
5	PFKL826369	76250S2AE12ZH	MIRROR ASSY., L. DOOR (HEATED) *R510*	£0.00	1
5	PFKL826359	76250S2AE11ZG	MIRROR ASSY., L. DOOR (HEATED) *R508P*	£0.00	1
5	PFKL826368	76250S2AE12ZF	MIRROR ASSY., L. DOOR (HEATED) *NH676M*	£342.34	1
5	PFKL826357	76250S2AE11ZE	MIRROR ASSY., L. DOOR (HEATED) *NH630M*	£342.34	1
5	PFKL826367	76250S2AE12ZD	MIRROR ASSY., L. DOOR (HEATED) *NH547*	£342.34	1
5	PFKL826354	76250S2AE11ZB	MIRROR ASSY., L. DOOR (HEATED) *B523P*	£0.00	1
5	PFKL826353	76250S2AE11ZA	MIRROR ASSY., L. DOOR (HEATED) *B513M*	£342.34	1

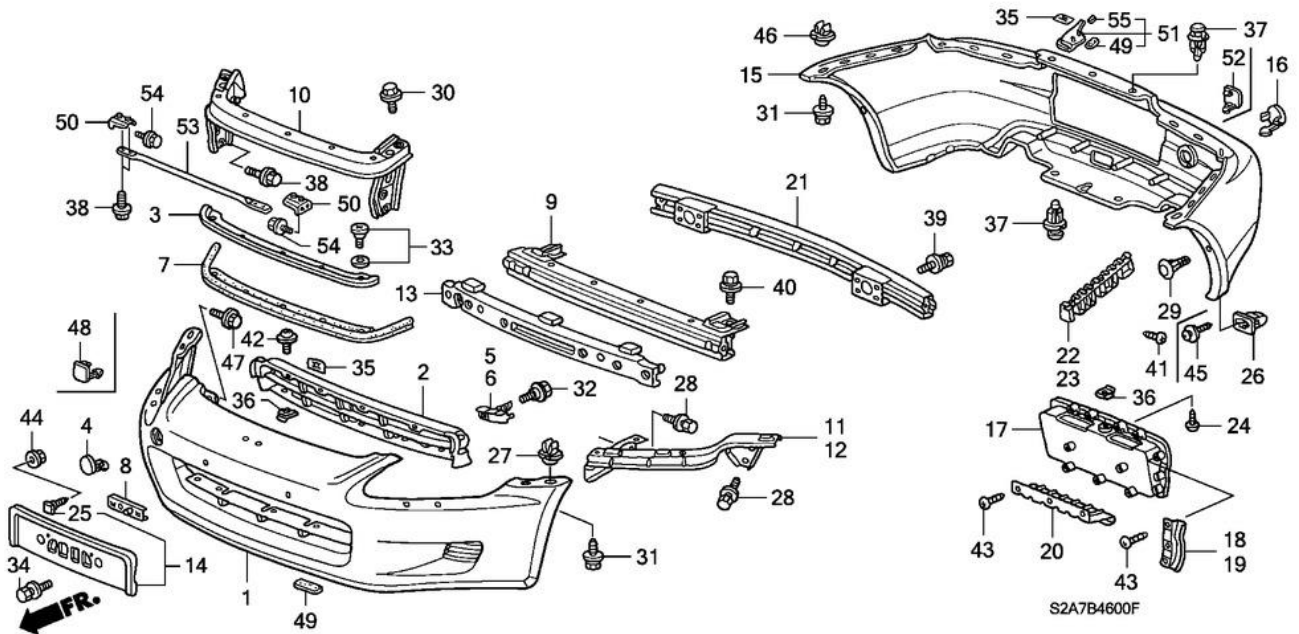
6	PFKL827508	76253S2AG11	MIRROR SUB ASSY., L. (HEATED) (R1400)	£46.02	1
7	PFKL828463	76400S2A003ZA	MIRROR ASSY., RR. VIEW (DAY/NIGHT) *NH167L*	£114.49	1
8	PFKL828537	76408S2A003ZA	COVER, STAY *NH167L*	£7.26	1
9	PFKL828538	76409SL0003	WASHER, TOOTHED	£4.70	1
10	PFKL828563	76410SL4003	BOLT, LOCK	£4.78	1
11	PFKL828614	76419SL4003	SPRING, HOLDER	£4.28	1
12	PFKL828618	76420SL4003	PLATE, HOOK	£13.15	1
14	PFKL1020197	9390124380	SCREW, TAPPING, 4X12	£1.49	6
15	PFKL1021373	9407106080	NUT-WASHER, 6MM	£1.92	6



S2A7 - B4400

Ref	Part No	Honda Part No	Description	Price (Each)	Req Qty
1	PFKL802707	74717S2A000	EXTENSION, TOWING HOOK	£12.22	1
2	PFKL802709	74717S50000	BOLT, EYE	£13.36	1
3	PFKL972721	89101S2A010	BOX, TOOL	£116.58	1
4	PFKL972877	89211S05003	WRENCH, WHEEL	£25.67	1
5	PFKL973391	89310S2A003	JACK ASSY., PANTOGRAPH	£0.00	1
6	PFKL973429	89311S2A003	PLATE, JACK CAUTION	£0.00	1
7	PFKL973437	89312S2A003	LABEL, PANTOGRAPH JACK	£0.00	1
8	PFKL973451	89320S2G003	BAR, JACK	£35.22	1

B-46 BUMPERS

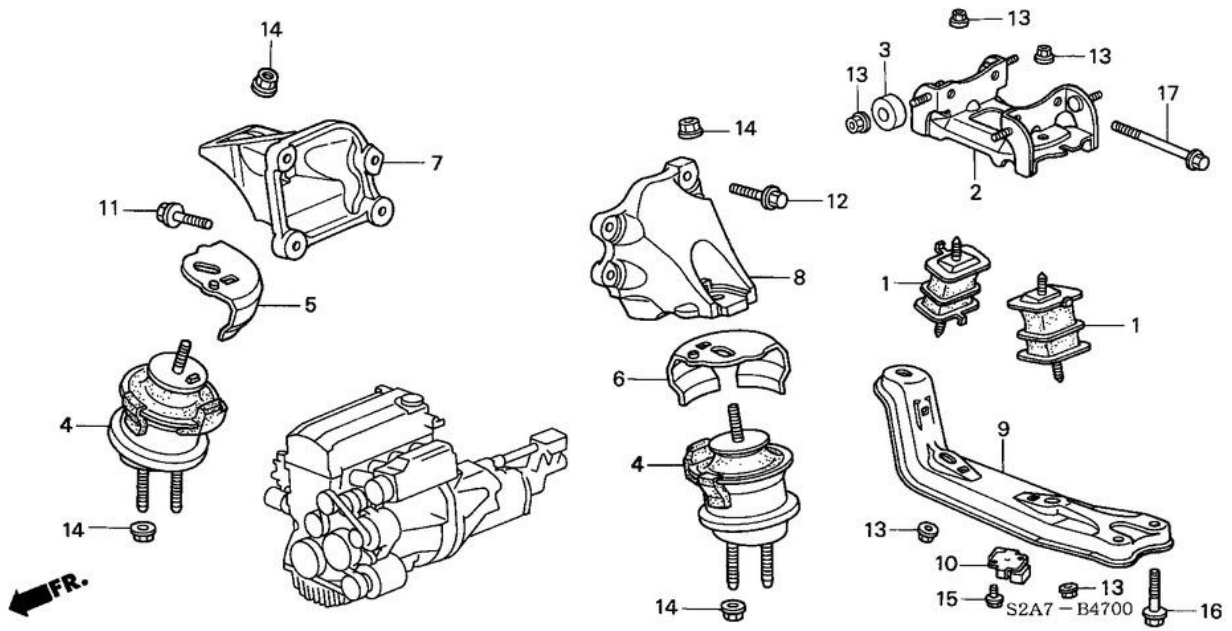


Ref	Part No	Honda Part No	Description	Price (Each)	Req Qty
1	PFKL765946	71101S2A316ZA	FACE, FR. BUMPER *B513M*	£440.66	1
1	PFKL2642868	04711S2A306ZZ	FACE, FR. BUMPER *NH609P*	£372.04	1
1	PFKL765957	71101S2A316ZM	FACE, FR. BUMPER *YR564M*	£440.66	1
1	PFKL765956	71101S2A316ZL	FACE, FR. BUMPER *B545P*	£466.46	1
1	PFKL765955	71101S2A316ZK	FACE, FR. BUMPER *Y65P*	£466.46	1
1	PFKL765954	71101S2A316ZJ	FACE, FR. BUMPER *YR536P*	£440.66	1
1	PFKL765953	71101S2A316ZH	FACE, FR. BUMPER *R510*	£372.04	1
1	PFKL765952	71101S2A316ZG	FACE, FR. BUMPER *R508P*	£0.00	1
1	PFKL2642868	04711S2A306ZZ	FACE, FR. BUMPER *NH676M*	£372.04	1
1	PFKL765950	71101S2A316ZE	FACE, FR. BUMPER *NH630M*	£440.66	1
1	PFKL2642868	04711S2A306ZZ	FACE, FR. BUMPER *NH547*	£372.04	1
1	PFKL765947	71101S2A316ZB	FACE, FR. BUMPER *B523P*	£440.66	1
2	PFKL766654	71102S2A010	GRILLE, FR. BUMPER	£59.35	1
3	PFKL766804	71103S2A000	STIFFENER, FR. BUMPER UPPER	£18.22	1
5	PFKL767014	71105S2A000	STIFFENER, R. FR. BUMPER	£9.31	1
6	PFKL767044	71106S2A000	STIFFENER, L. FR. BUMPER	£9.31	1
7	PFKL767255	71108S2A010	SEAL, FR. BUMPER	£30.98	1
8	PFKL767536	71113SH2000	NUT, LICENSE PLATE	£9.53	2
9	PFKL768177	71130S2AG01ZZ	BEAM COMP., FR. BUMPER	£149.96	1
10	PFKL768328	71140S2A010ZZ	BEAM COMP., FR. BUMPER UPPER	£60.56	1
11	PFKL768400	71143S2A000ZZ	BEAM COMP., R. FR. BUMPER CORNER UPPER	£24.32	1
12	PFKL768529	71148S2A000ZZ	BEAM COMP., L. FR. BUMPER CORNER UPPER	£24.32	1
13	PFKL768838	71170S2A010	ABSORBER, FR. BUMPER	£70.28	1
14	PFKL768907	71180S2AG00	BASE, FR. LICENSE PLATE	£39.49	1
15	PFKL770420	71501S2AG01ZZ	FACE, RR. BUMPER	£389.83	1
17	PFKL771417	71505S2AG01ZT	GARNISH, RR. LICENSE *NH609P*	£98.80	1
17	PFKL771416	71505S2AG01ZS	GARNISH, RR. LICENSE *YR564M*	£98.80	1

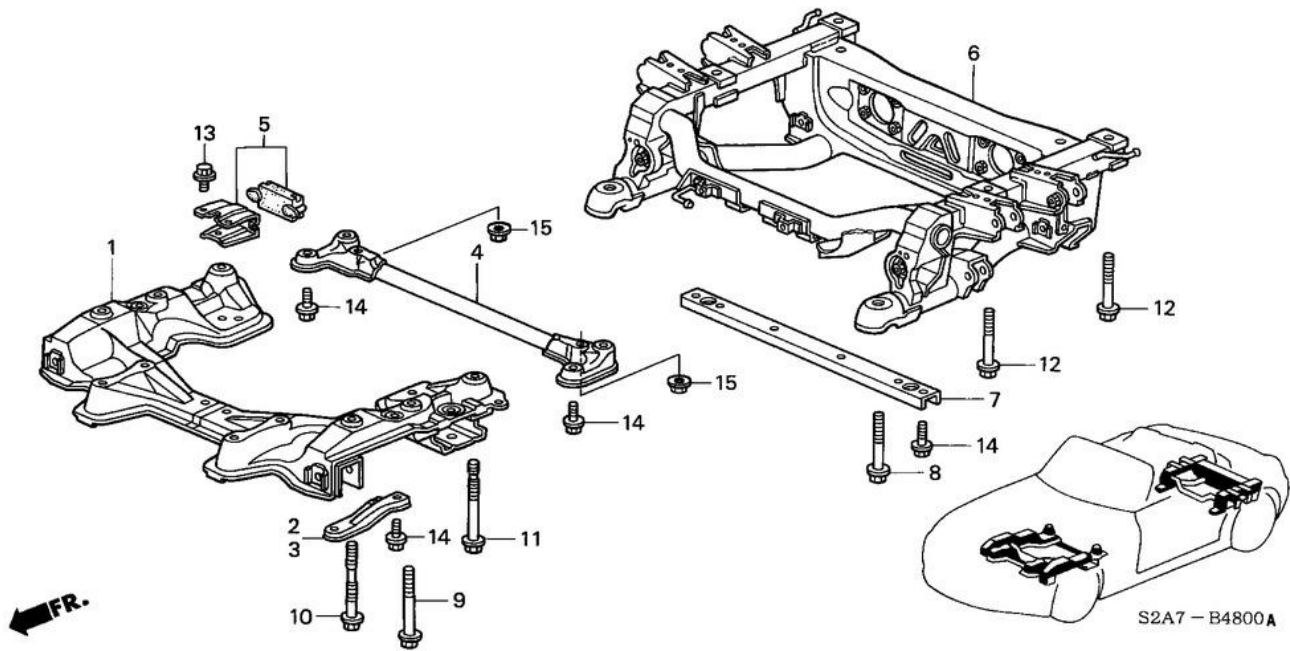
17	PFL771415	71505S2AG01ZR	GARNISH, RR. LICENSE *B545P*	£108.10	1
17	PFL771414	71505S2AG01ZQ	GARNISH, RR. LICENSE *Y65P*	£108.10	1
17	PFL771407	71505S2AG01ZE	GARNISH, RR. LICENSE *R510*	£108.10	1
17	PFL771412	71505S2AG01ZN	GARNISH, RR. LICENSE *B523P*	£98.80	1
17	PFL771410	71505S2AG01ZL	GARNISH, RR. LICENSE *R508P*	£0.00	1
17	PFL771408	71505S2AG01ZH	GARNISH, RR. LICENSE *B513M*	£98.80	1
17	PFL771411	71505S2AG01ZM	GARNISH, RR. LICENSE *YR536P*	£98.80	1
17	PFL771405	71505S2AG01ZB	GARNISH, RR. LICENSE *NH547*	£108.10	1
17	PFL771406	71505S2AG01ZD	GARNISH, RR. LICENSE *NH630M*	£98.80	1
17	PFL771413	71505S2AG01ZP	GARNISH, RR. LICENSE *NH676M*	£108.10	1
18	PFL771451	71506S2AG01	BRACKET, R. RR. LICENSE SIDE	£28.88	1
19	PFL771526	71507S2AG01	BRACKET, L. RR. LICENSE SIDE	£28.88	1
20	PFL771544	71508S2AG01	BRACKET, RR. LOWER LICENSE GARNISH	£43.31	1
21	PFL771996	71530S2AA00ZZ	BEAM COMP., RR. BUMPER	£173.53	1
22	PFL772319	71581S2A003	SPACER, R. RR. BUMPER	£28.75	1
23	PFL772325	71586S2A003	SPACER, L. RR. BUMPER	£28.75	1
24	PFL980102	90103SD4000	SCREW, TAPPING, 5X16	£5.65	1
25	PFL980127	90103SP0000	BOLT, CORNER CLIP	£7.84	2
26	PFL998436	90663SB0003	GROMMET, SCREW, 5MM (YELLOW)	£4.21	2
27	PFL981353	90107SX0003	GROMMET, BUMPER END	£4.96	2
28	PFL981568	90108SF1000	BOLT-WASHER, 6X15	£5.14	8
30	PFL981599	90108S0A003	BOLT, FLANGE, 6X15	£4.16	2
31	PFL981794	90109SS0000	SCREW, TAPPING, 5X20	£5.69	4
32	PFL982424	90112SS0000	BOLT, FLANGE, 6X12	£5.24	2
33	PFL985148	90130SR2003	BOLT ASSY., BUMPER	£7.26	5
34	PFL1017383	934040601604	BOLT-WASHER, 6X16	£1.92	2
35	PFL989133	90301S2A003	NUT, SPEED (3.5MM)	£3.19	8
36	PFL990134	90308SB2013	NUT, SUSPENSION, 5MM	£5.89	1
37	PFL1011843	91503SZ3003	CLIP A, BUMPER	£4.36	5
38	PFL1017477	934050601608	BOLT-WASHER, 6X16	£2.38	8
39	PFL1017511	934050802508	BOLT-WASHER, 8X25	£2.38	5
40	PFL1017565	934071002508	BOLT-WASHER, 10X25	£3.19	4
41	PFL1020143	9390115380	SCREW, TAPPING, 5X16	£1.49	6
43	PFL1020858	9391325120	SCREW, TAPPING, 5X10 (PO)	£1.49	9
44	PFL1021373	9407106080	NUT-WASHER, 6MM	£1.92	2
45	PFL982812	90114SE0000	SCREW, TAPPING, 5X20	£6.26	2
46	PFL981354	90107S0XA01	GROMMET, BUMPER END	£3.48	2
47	PFL1017290	934030601204	BOLT-WASHER, 6X12	£2.21	2
48	PFL766928	71104S2A010ZU	COVER, FR. TOWING HOOK *YR564M*	£0.00	1
48	PFL766917	71104S2A010ZD	COVER, FR. TOWING HOOK *NH630M*	£13.18	1
48	PFL766927	71104S2A010ZT	COVER, FR. TOWING HOOK *B545P*	£13.14	1
48	PFL766926	71104S2A010ZS	COVER, FR. TOWING HOOK *Y65P*	£13.18	1
48	PFL766922	71104S2A010ZM	COVER, FR. TOWING HOOK *R508P*	£13.14	1
48	PFL766925	71104S2A010ZR	COVER, FR. TOWING HOOK *NH676M*	£13.18	1
48	PFL766915	71104S2A010ZB	COVER, FR. TOWING HOOK *NH547*	£13.18	1
48	PFL766918	71104S2A010ZE	COVER, FR. TOWING HOOK *R510*	£13.18	1

48	PFKL766919	71104S2A010ZH	COVER, FR. TOWING HOOK *B513M*	£13.18	1
48	PFKL766921	71104S2A010ZL	COVER, FR. TOWING HOOK *NH609P*	£13.14	1
48	PFKL766923	71104S2A010ZN	COVER, FR. TOWING HOOK *YR536P*	£13.14	1
48	PFKL766924	71104S2A010ZP	COVER, FR. TOWING HOOK *B523P*	£13.18	1
49	PFKL767548	71114S2A000	SEAL, BUMPER	£7.72	3
50	PFKL768388	71142S2A000	BRACKET, FR. PERFORMANCE ROD	£9.49	2
51	PFKL2518474	71502S2A305	PROTECTOR, R. RR. BUMPER	£19.46	1
52	PFKL771246	71504S2A010ZH	COVER, RR. TOWING HOOK *B513M*	£13.18	1
52	PFKL771244	71504S2A010ZD	COVER, RR. TOWING HOOK *NH630M*	£13.18	1
52	PFKL771242	71504S2A010ZB	COVER, RR. TOWING HOOK *NH547*	£13.18	1
52	PFKL771253	71504S2A010ZS	COVER, RR. TOWING HOOK *Y65P*	£13.18	1
52	PFKL771245	71504S2A010ZE	COVER, RR. TOWING HOOK *R510*	£13.18	1
52	PFKL771248	71504S2A010ZL	COVER, RR. TOWING HOOK *NH609P*	£13.12	1
52	PFKL771250	71504S2A010ZN	COVER, RR. TOWING HOOK *YR536P*	£13.18	1
52	PFKL771249	71504S2A010ZM	COVER, RR. TOWING HOOK *R508P*	£13.18	1
52	PFKL771251	71504S2A010ZP	COVER, RR. TOWING HOOK *B523P*	£13.18	1
52	PFKL771252	71504S2A010ZR	COVER, RR. TOWING HOOK *NH676M*	£13.18	1
52	PFKL771255	71504S2A010ZU	COVER, RR. TOWING HOOK *YR564M*	£13.18	1
52	PFKL771254	71504S2A010ZT	COVER, RR. TOWING HOOK *B545P*	£13.18	1
53	PFKL802378	74615S2A000ZZ	ROD, FR. PERFORMANCE	£128.66	1
54	PFKL1017222	934020601008	BOLT-WASHER, 6X10	£1.37	4
55	PFKL771074	71503S2A000	SEAL A, RR. BUMPER	£3.60	1

B-47 ENGINE MOUNTS

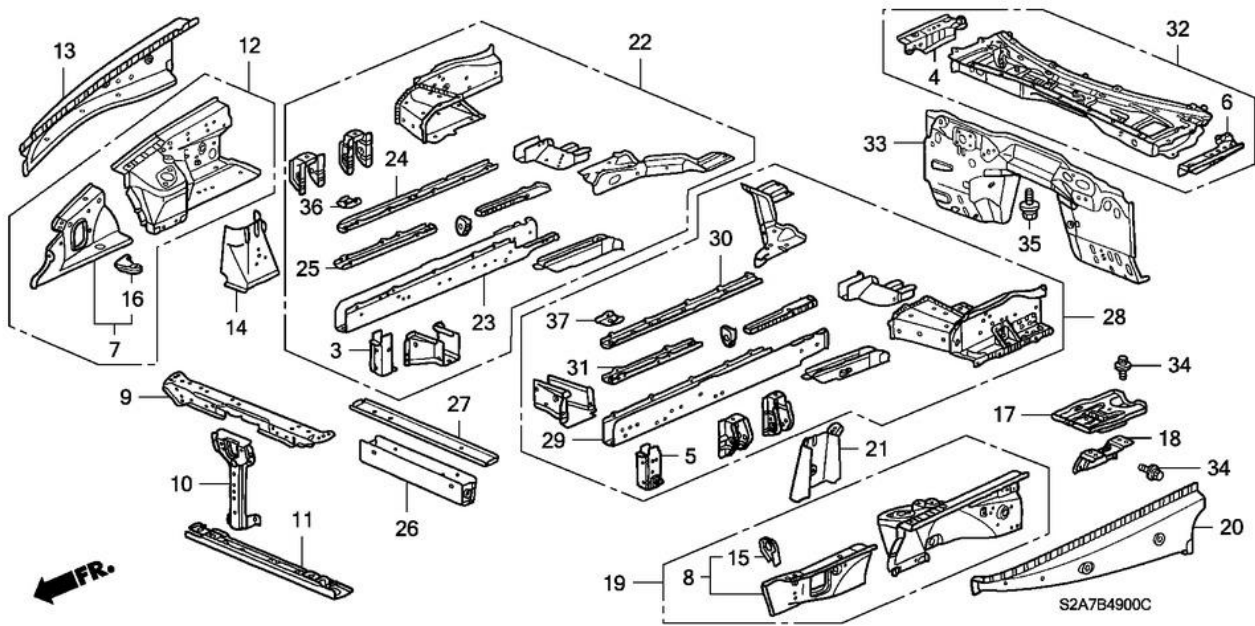


Ref	Part No	Honda Part No	Description	Price (Each)	Req Qty
1	PFKL646267	50806S2A000	RUBBER, TRANSMISSION MOUNTING	£92.94	2
2	PFKL646294	50807S2A010	BRACKET, TRANSMISSION MOUNT	£43.28	1
3	PFKL646303	50808S2A000	MASS, MISSION MOUNTING	£14.09	4
4	PFKL646487	50810S2A003	RUBBER ASSY., FR. ENGINE MOUNTING	£319.14	2
5	PFKL646669	50815S2A013	STOPPER, R. OUTER	£28.15	1
6	PFKL646708	50816S2A013	STOPPER, L. OUTER	£0.00	1
7	PFKL647039	50824S2A000	BRACKET, R. FR. ENGINE MOUNTING	£191.88	1
8	PFKL647136	50825S2A000	BRACKET, L. FR. ENGINE MOUNTING	£191.88	1
9	PFKL647430	50835S2A000	BEAM, MISSION MOUNTING	£92.96	1
10	PFKL647447	50836S2A000	DAMPER, TRANSMISSION BEAM DYNAMIC	£42.25	1
11	PFKL987404	90167S2A000	BOLT, FLANGE, 10X40	£7.85	4
12	PFKL987439	90168S2A010	BOLT, FLANGE, 10X35	£4.54	4
12	PFKL987439	90168S2A010	BOLT, FLANGE, 10X35	£4.54	4
13	PFKL1021341	9405008080	NUT, FLANGE, 8MM	£2.76	8
14	PFKL1021355	9405012080	NUT, FLANGE, 12MM	£2.38	6
15	PFKL1028254	957010601208	BOLT, FLANGE, 6X12	£1.92	2
16	PFKL1028618	957011002508	BOLT, FLANGE, 10X25	£2.38	3
17	PFKL1029269	958011008008	BOLT, FLANGE, 10X80	£3.35	2



Ref	Part No	Honda Part No	Description	Price (Each)	Req Qty
1	PFKL634440	50200S2AG01	SUB FRAME COMP., FR.	£1,237.57	1
2	PFKL635372	50241S2AG00	GUSSET, R. FR. SUB FRAME	£24.62	1
3	PFKL635379	50242S2AG00	GUSSET, L. FR. SUB FRAME	£24.62	1
4	PFKL635531	50250S2AG00	STIFFENER COMP., ENGINE MOUNTING	£148.81	1
5	PFKL635685	50260S2A000	STOPPER ASSY., ENGINE	£59.84	1
6	PFKL635956	50300S2AA02	BEAM, RR. SUSPENSION CROSS	£2,302.00	1
7	PFKL638624	50400S2AA01	STIFFENER, RR. SUSPENSION	£45.02	1
8	PFKL987017	90161SR3000	BOLT, FLANGE, 14X107	£14.00	2
9	PFKL987028	90161S2A000	BOLT, FLANGE, 14X160	£20.76	2
10	PFKL987109	90162S2A000	BOLT, FLANGE, 14X130	£16.15	2
11	PFKL987188	90163S2A000	BOLT, FLANGE, 12X202	£23.08	2
12	PFKL987257	90164S2A000	BOLT, FLANGE, 12X162	£18.43	4
13	PFKL1028447	957010801608	BOLT, FLANGE, 8X16	£2.21	3
14	PFKL1028600	957011001608	BOLT, FLANGE, 10X16	£2.15	14
15	PFKL1021350	9405010080	NUT, FLANGE, 10MM	£2.15	2

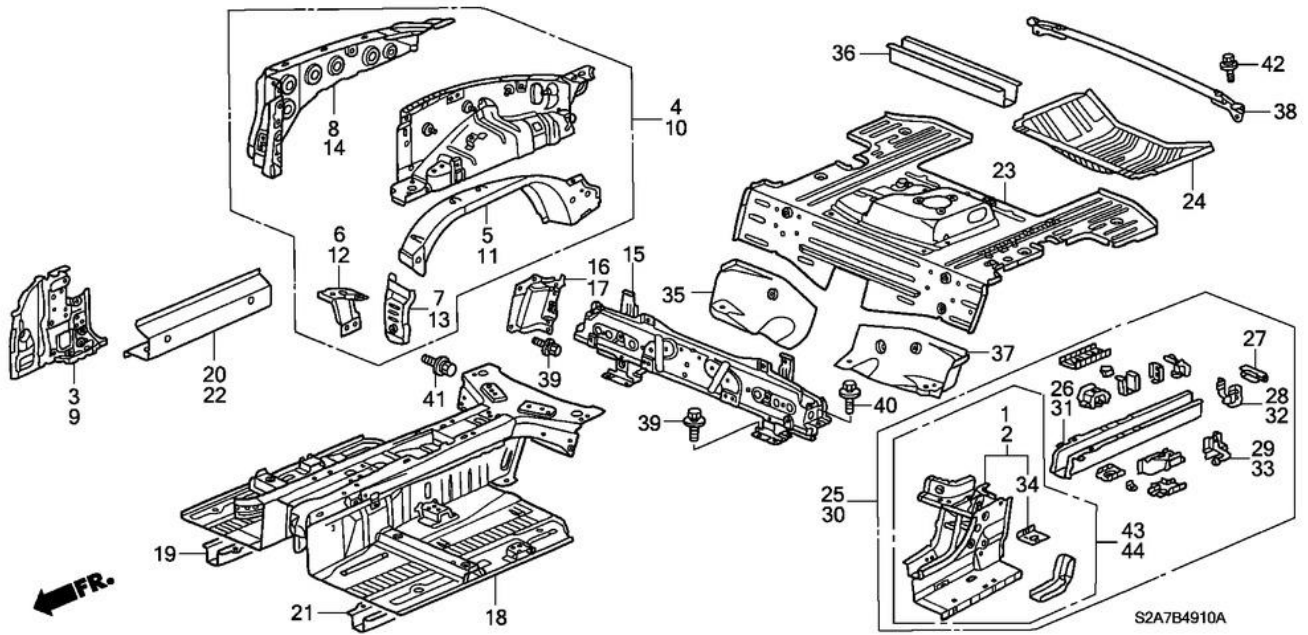
B-49 FRONT BULKHEAD/DASHBOARD



Ref	Part No	Honda Part No	Description	Price (Each)	Req Qty
3	PFKL215027	04606S2AA00ZZ	PLATE, R. BULKHEAD LOWER CROSS MEMBER	£61.31	1
4	PFKL215365	04612S2A300ZZ	MEMBER SET, R. DASHBOARD UPPER SIDE	£0.00	1
5	PFKL215432	04616S2AA00ZZ	PLATE, L. BULKHEAD LOWER CROSS MEMBER	£61.31	1
6	PFKL215465	04617S2A300ZZ	MEMBER SET, L. DASHBOARD UPPER SIDE	£0.00	1
7	PFKL216890	04642S2AE01ZZ	WHEELHOUSE SUB SET, R. FR.	£54.65	1
8	PFKL217806	04652S2AE02ZZ	WHEELHOUSE SUB SET, L. FR.	£54.65	1
9	PFKL707865	60431S2AA00ZZ	FRAME, BULKHEAD UPPER	£105.18	1
10	PFKL707923	60434S2AA01ZZ	STAY, BULKHEAD CENTER	£30.60	1
11	PFKL707969	60440S2AA00ZZ	CROSSMEMBER COMP., FR. LOWER	£128.08	1
12	PFKL708532	60610S2AE04ZZ	WHEELHOUSE COMP., R. FR.	£326.39	1
13	PFKL708682	60614S2A300ZZ	MEMBER, R. FR. WHEELHOUSE UPPER	£93.37	1
14	PFKL708696	60615S2A300ZZ	STIFFENER, R. FR. SHOCK ABSORBER	£0.00	1
15	PFKL708709	60617S2A300ZZ	BRACKET, OPEN STAY	£7.61	1
16	PFKL708718	60618S2A300ZZ	BRACKET, ROD HOLDER	£7.61	1
17	PFKL708804	60630S2A020ZZ	BASE COMP., BATTERY	£69.06	1
18	PFKL708873	60638S2A000ZZ	BASE COMP., BATTERY SETTING	£0.00	1
19	PFKL709638	60710S2AE04ZZ	WHEELHOUSE COMP., L. FR.	£0.00	1
20	PFKL709789	60714S2A300ZZ	MEMBER, L. FR. WHEELHOUSE UPPER	£93.37	1
21	PFKL709805	60715S2A300ZZ	STIFFENER, L. FR. SHOCK ABSORBER	£0.00	1
22	PFKL710659	60810S2AE03ZZ	FRAME COMP., R. FR. SIDE	£0.00	1
23	PFKL710767	60811S2AA02ZZ	FRAME, R. FR. SIDE	£205.94	1
24	PFKL710838	60812S2AA02ZZ	PLATE, R. FR. SIDE	£60.71	1
25	PFKL710857	60813S2A320ZZ	STIFFENER, R. FR. SIDE	£45.94	1
26	PFKL711086	60835S2AA00ZZ	CROSSMEMBER, FR. UPPER	£89.12	1
27	PFKL711090	60836S2AA01ZZ	PLATE, FR. UPPER	£34.57	1
28	PFKL711616	60910S2AE03ZZ	FRAME COMP., L. FR. SIDE	£0.00	1
29	PFKL711691	60911S2AA02ZZ	FRAME, L. FR. SIDE	£205.94	1

30	PFKL711734	60912S2AA02ZZ	PLATE, L. FR. SIDE	£60.71	1
31	PFKL711753	60913S2A320ZZ	STIFFENER, L. FR. SIDE	£49.01	1
32	PFKL715223	61100S2AE01ZZ	DASHBOARD COMP., UPPER	£0.00	1
33	PFKL722187	61500S2AE01ZZ	DASHBOARD COMP., LOWER	£0.00	1
34	PFKL980764	90105SV1000	BOLT-WASHER, 8X20	£4.68	5
35	PFKL1017467	934050601208	BOLT-WASHER, 6X12	£2.21	4
36	PFKL710954	60821S2A300ZZ	STIFFENER, R. FR. SIDE (B)	£12.95	1
37	PFKL711807	60921S2A300ZZ	STIFFENER, L. FR. SIDE (B)	£12.23	1

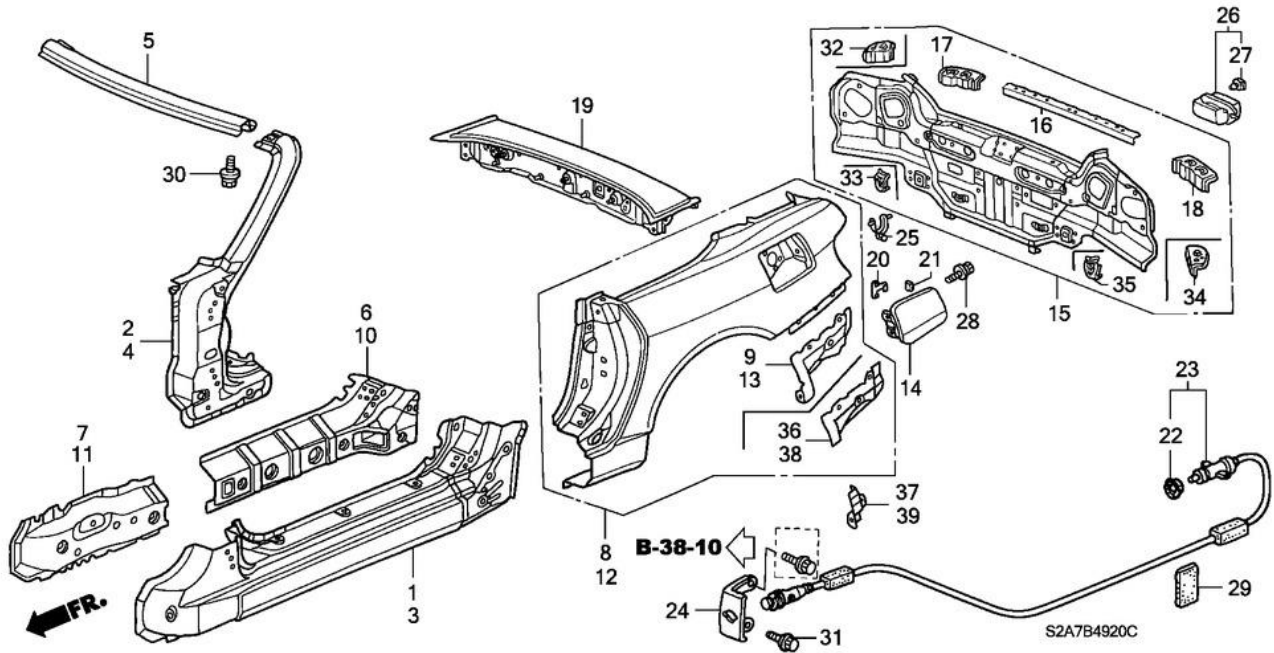
B-49-10 FLOOR/INNER PANELS



Ref	Part No	Honda Part No	Description	Price (Each)	Req Qty
3	PFKL730534	64130S2AE02ZZ	PILLAR COMP., R. FR. INNER LOWER	£0.00	1
4	PFKL739173	64300S2AA02ZZ	PANEL COMP., R. RR. INSIDE	£0.00	1
5	PFKL739686	64301S2A300ZZ	PANEL, R. RR. INSIDE	£120.30	1
6	PFKL740494	64305S2A310ZZ	BASE COMP., R. RR. JACK UP	£0.00	1
7	PFKL742195	64321S2AJ00ZZ	EXTENSION, R. RR. WHEEL ARCH	£107.83	1
8	PFKL744267	64361S2A300ZZ	STIFFENER, R. RR. FENDER	£276.46	1
9	PFKL747721	64530S2AE02ZZ	PILLAR COMP., L. FR. INNER LOWER	£0.00	1
10	PFKL749042	64700S2AA01ZZ	PANEL COMP., L. RR. INSIDE	£1,179.31	1
11	PFKL749086	64701S2A300ZZ	PANEL, L. RR. INSIDE	£120.30	1
12	PFKL749087	64705S2A300ZZ	BASE COMP., L. RR. JACK UP	£0.00	1
13	PFKL749167	64721S2AJ00ZZ	EXTENSION, L. RR. WHEEL ARCH	£107.83	1
14	PFKL749374	64761S2A300ZZ	STIFFENER, L. RR. FENDER	£0.00	1
15	PFKL749429	64810S2A000ZZ	FRAME COMP., ROLL BAR	£0.00	1
16	PFKL749583	64819S2A000ZZ	GUSSET, R. CORNER	£0.00	1
17	PFKL750108	64869S2A000ZZ	GUSSET, L. CORNER	£0.00	1
18	PFKL750427	65100S2AE03ZZ	FLOOR COMP., FR.	£0.00	1
19	PFKL750508	65115S2AA00ZZ	FRAME, R. FR. FLOOR	£0.00	1
20	PFKL750727	65141S2AA00ZZ	SILL, R. FR. INSIDE	£46.98	1
21	PFKL750769	65165S2AA00ZZ	FRAME, L. FR. FLOOR	£0.00	1
22	PFKL750956	65191S2AA00ZZ	SILL, L. FR. INSIDE	£0.00	1
23	PFKL751095	65510S2AG01ZZ	FLOOR COMP., RR.	£550.99	1
24	PFKL751170	65517S2AA01ZZ	PAN, BAGGAGE	£318.86	1
25	PFKL751446	65610S2AG00ZZ	FRAME COMP., R. RR.	£0.00	1
26	PFKL751493	65611S2AA01ZZ	FRAME, R. RR.	£132.18	1
27	PFKL751502	65613S2A300ZZ	REINFORCEMENT, RR. BUMPER	£18.52	2
28	PFKL751507	65614S2AA00ZZ	REINFORCEMENT, R. RR. TIE DOWN	£39.04	1
29	PFKL751572	65620S2A300ZZ	BRACKET, R. RR. SILENCER MOUNTING	£0.00	2

30	PFKL751879	65660S2AG04ZZ	FRAME COMP., L. RR.	£0.00	1
31	PFKL751930	65661S2AA01ZZ	FRAME, L. RR.	£0.00	1
32	PFKL751943	65664S2AA00ZZ	REINFORCEMENT, L. RR. TIE DOWN	£0.00	1
33	PFKL751984	65670S2A300ZZ	BRACKET, L. RR. SILENCER MOUNTING	£23.12	2
34	PFKL752173	65703S2A300ZZ	PATCH, MIDDLE TIE DOWN	£0.00	2
35	PFKL752174	65706S2AA00ZZ	PANEL, R. MIDDLE FLOOR	£0.00	1
36	PFKL752340	65751S2AA00ZZ	CROSSMEMBER COMP., RR. FLOOR	£129.98	1
37	PFKL752347	65766S2AA00ZZ	PANEL, L. MIDDLE FLOOR	£0.00	1
38	PFKL802356	74610S2A010ZZ	BAR, RR. TOWER	£100.07	1
39	PFKL1017386	934040601608	BOLT-WASHER, 6X16	£1.92	24
40	PFKL1017438	934040802008	BOLT-WASHER, 8X20	£1.91	2
41	PFKL1017504	934050801608	BOLT-WASHER, 8X16	£2.15	4
42	PFKL1017532	934060801608	BOLT-WASHER, 8X16	£1.91	7
43	PFKL218175	04658S2AA02ZZ	PANEL SET, R. RR. FRAME OUTRIGGER	£418.13	1
44	PFKL218185	04659S2AA03ZZ	PANEL SET, L. RR. FRAME OUTRIGGER	£0.00	1

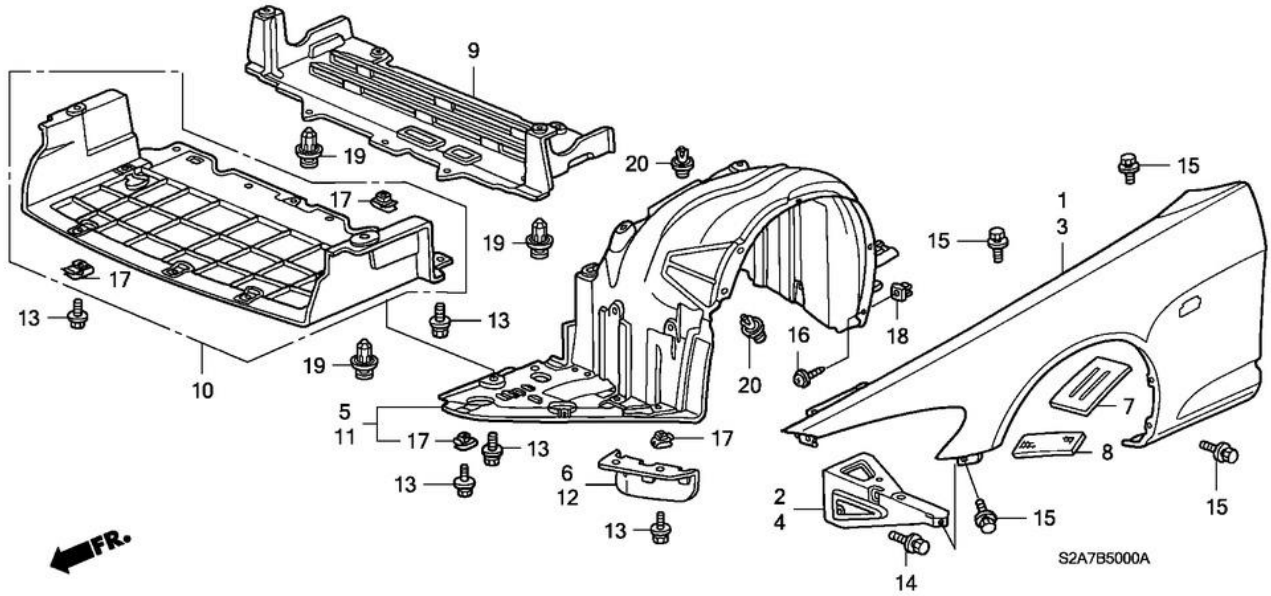
B-49-20 OUTER PANELS/REAR PANEL



Ref	Part No	Honda Part No	Description	Price (Each)	Req Qty
1	PFKL215723	04631S2A310ZZ	PANEL, R. SIDE SILL	£230.46	1
2	PFKL216542	04637S2A300ZZ	PILLAR SET, R. FR. INNER UPPER	£680.78	1
3	PFKL216745	04641S2A310ZZ	PANEL, L. SIDE SILL	£230.46	1
4	PFKL217697	04647S2A300ZZ	PILLAR SET, L. FR. INNER UPPER	£680.78	1
5	PFKL724305	62120S2A310ZZ	RAIL COMP., FR. ROOF	£189.38	1
6	PFKL726472	63112S2A310ZZ	STIFFENER, R. SIDE SILL	£145.61	1
7	PFKL726605	63135S2A300ZZ	STIFFENER, R. SIDE SILL EXTENSION	£115.97	1
8	PFKL726989	63300S2A310ZZ	PANEL COMP., R. RR. FENDER	£674.70	1
10	PFKL727734	63512S2A310ZZ	STIFFENER, L. SIDE SILL	£112.99	1
11	PFKL727837	63535S2A300ZZ	STIFFENER, L. SIDE SILL EXTENSION	£112.99	1
12	PFKL728233	63700S2A310ZZ	PANEL COMP., L. RR. FENDER	£674.70	1
14	PFKL728579	63910S2A000ZZ	LID COMP., FUEL FILLER	£83.33	1
15	PFKL753265	66100S2AG03ZZ	PANEL COMP., RR.	£320.72	1
16	PFKL753479	66118S2A300ZZ	STIFFENER, RR. BUMPER FACE CENTER	£38.58	1
17	PFKL753491	66119S0A300ZZ	STIFFENER, R. RR. BUMPER SIDE	£26.71	1
18	PFKL753896	66169S0A300ZZ	STIFFENER, L. RR. BUMPER SIDE	£26.71	1
19	PFKL754988	66510S2A305ZZ	FRAME COMP., RR. WINDSHIELD LOWER	£501.12	1
20	PFKL763268	70494SE0000	SPRING, FUEL LID OPENER	£6.77	1
21	PFKL763275	70495692000	CUSHION, FUEL FILLER LID	£3.96	2
22	PFKL792834	73219693951	SEAL, FUEL LID OPENER (GREEN)	£3.20	1
23	PFKL801618	74411S2A000	CABLE, FUEL LID OPENER	£68.32	1
24	PFKL801640	74412S2A000	BRACKET, FUEL LID OPENER	£13.87	1
25	PFKL801674	74423SZ3003	HOLDER, FUEL CAP	£9.85	1
26	PFKL811913	75450SR3000	OUTLET ASSY., RR. AIR	£47.98	1
27	PFKL811993	75451SP0000	CLIP, RR. AIR OUTLET	£4.20	2
28	PFKL980124	90103SM4010	BOLT, FLANGE, 6X18	£3.64	2
29	PFKL1014645	91902SB2003	CUSHION, WIRE HARNESS (50X100)	£7.66	1

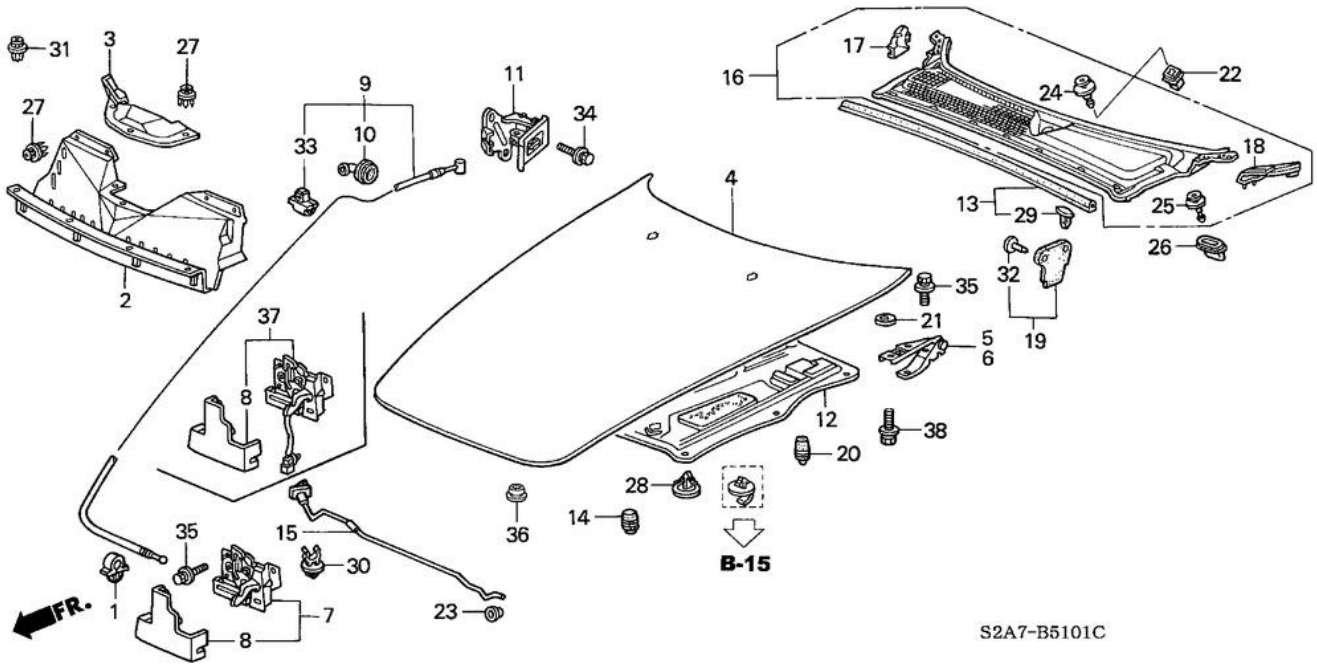
30	PFKL1017149	934010601208	BOLT-WASHER, 6X12	£1.92	2
31	PFKL1028447	957010801608	BOLT, FLANGE, 8X16	£2.21	1
32	PFKL753454	66117S2A300ZZ	BRACKET, R. RR. BUMPER SIDE	£17.33	1
33	PFKL753542	66121S2A300ZZ	BRACKET, R. RR. BUMPER LOWER	£28.86	1
34	PFKL753889	66167S2A300ZZ	BRACKET, L. RR. BUMPER SIDE	£13.69	1
35	PFKL753908	66171S2A300ZZ	BRACKET, L. RR. BUMPER LOWER	£28.86	1
36	PFKL727203	63321S2A310ZZ	EXTENSION, R. RR. FENDER LOWER	£71.92	1
37	PFKL727211	63322S2A310ZZ	REINFORCEMENT, R. RR. FENDER LOWER	£22.56	1
38	PFKL728424	63721S2A310ZZ	EXTENSION, L. RR. FENDER LOWER	£71.92	1
39	PFKL728433	63722S2A310ZZ	REINFORCEMENT, L. RR. FENDER LOWER	£22.56	1

B-50 FRONT FENDERS



Ref	Part No	Honda Part No	Description	Price (Each)	Req Qty
1	PFKL706650	60210S2A020ZZ	PANEL COMP., R. FR. FENDER	£402.98	1
2	PFKL706951	60212S2A000ZZ	STAY, R. FR. FENDER	£30.74	1
3	PFKL707033	60260S2A020ZZ	PANEL COMP., L. FR. FENDER	£402.98	1
4	PFKL707316	60262S2A000ZZ	STAY, L. FR. FENDER	£30.74	1
5	PFKL798272	74100S2A010	FENDER ASSY., R. FR. INNER	£112.39	1
6	PFKL798405	74102S2A000	STRAKE, R. FR.	£31.78	1
7	PFKL798440	74108S2A000	TAPE, STIFFENER (250X130)	£15.86	2
8	PFKL798442	74109S2A000	TAPE, STIFFENER (220X80)	£6.52	2
9	PFKL798532	74111S2A000	SHIELD, FR. SPLASH	£90.76	1
10	PFKL798561	74112S2A010	COVER, FR. UNDER	£91.45	1
11	PFKL799540	74150S2A010	FENDER ASSY., L. FR. INNER	£112.39	1
12	PFKL799679	74152S2A000	STRAKE, L. FR.	£31.78	1
13	PFKL980752	90105SL4000	BOLT-WASHER, 6X20	£7.04	14
14	PFKL981568	90108SF1000	BOLT-WASHER, 6X15	£5.14	6
15	PFKL981599	90108S0A003	BOLT, FLANGE, 6X15	£4.16	18
16	PFKL982812	90114SE0000	SCREW, TAPPING, 5X20	£6.26	4
17	PFKL989828	90305SM4003	NUT, CLIP, 6MM	£5.04	8
18	PFKL999717	90682SN7G00	GROMMET, SCREW, 5MM	£3.38	4
19	PFKL1011843	91503SZ3003	CLIP A, BUMPER	£4.36	12
20	PFKL1011719	91501S04003	CLIP, INNER FENDER	£3.02	34

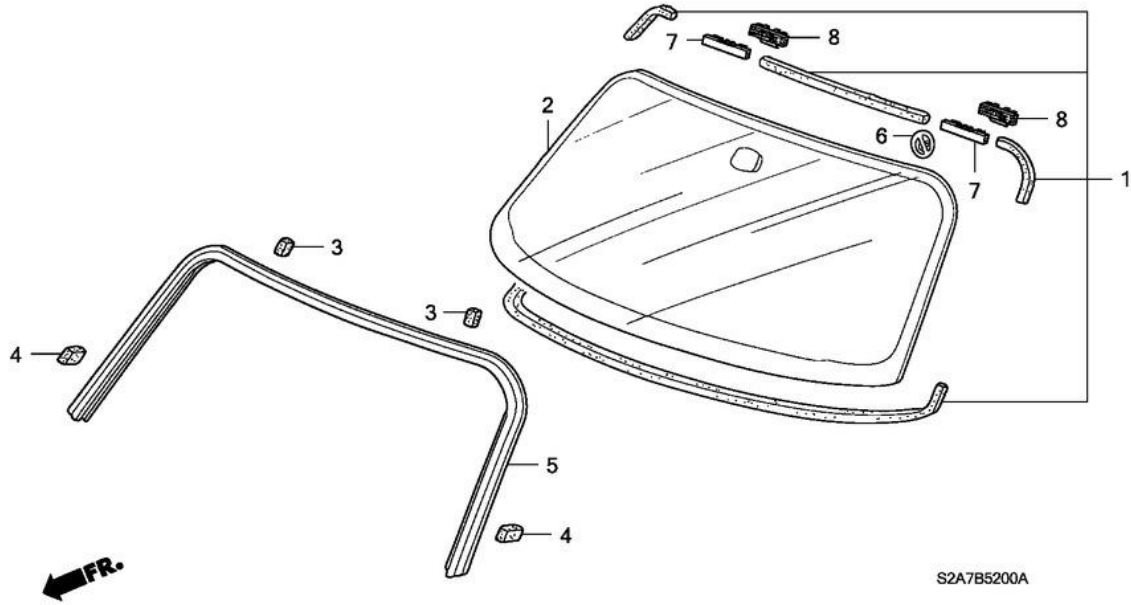
B-51-1 ENGINE HOOD (RH)



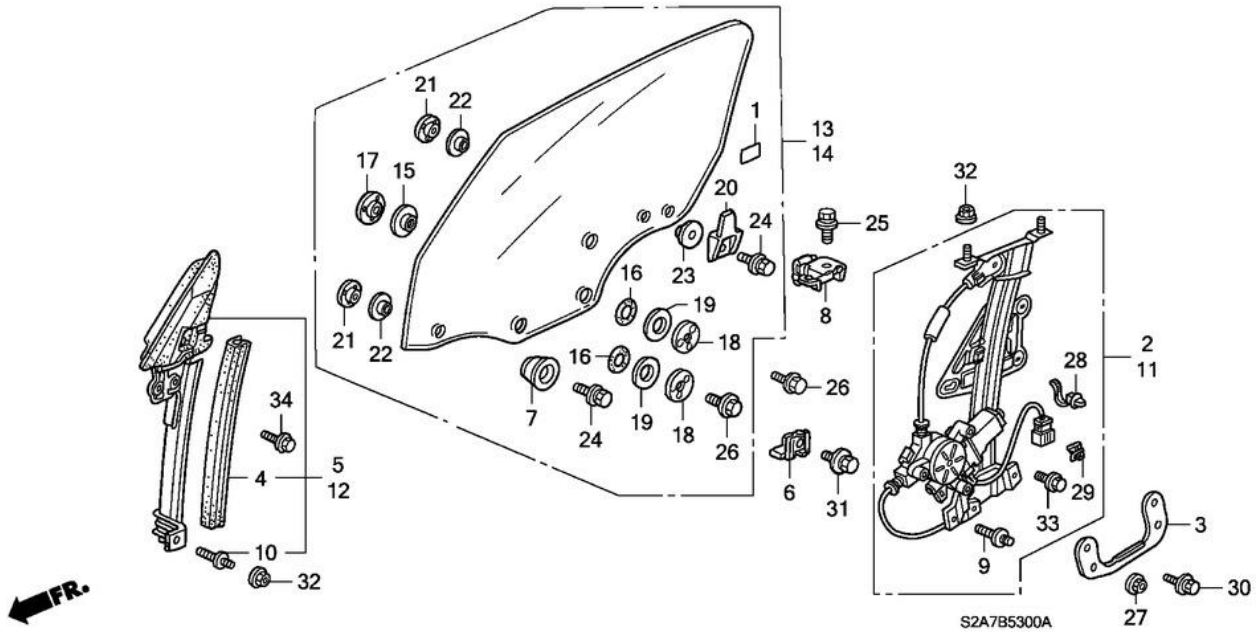
Ref	Part No	Honda Part No	Description	Price (Each)	Req Qty
1	PFKL373425	17706SC3003	CLIP, FUEL PIPE	£5.17	1
2	PFKL407900	19600PCX000	PLATE, AIR GUIDE	£61.74	1
3	PFKL407969	19601PCX000	COVER, AIR GUIDE PLATE	£14.50	1
4	PFKL706299	60100S2A020ZZ	HOOD COMP., ENGINE	£536.51	1
5	PFKL706441	60120S2A000ZZ	HINGE COMP., R. HOOD	£30.02	1
6	PFKL706575	60170S2A000ZZ	HINGE COMP., L. HOOD	£30.02	1
8	PFKL798873	74129SK7000	COVER, HOOD LOCK	£17.15	1
9	PFKL798967	74130S2A003	WIRE ASSY., HOOD	£39.17	1
10	PFKL799018	74134SM4000	GROMMET, HOOD WIRE	£6.70	1
11	PFKL799062	74135SK7003ZC	LEVER COMP., HOOD WIRE *NH167L*	£14.58	1
12	PFKL799194	74141S2A030	INSULATOR, HOOD	£113.36	1
13	PFKL799313	74143S2A000	RUBBER, RR. HOOD SEAL	£15.04	1
14	PFKL799328	74144SE0000	CUSHION, HOOD	£6.97	2
15	PFKL799415	74145S2A000	STAY, HOOD OPENER	£36.23	1
16	PFKL800141	74200S2A000	COWL TOP ASSY.	£0.00	1
17	PFKL800524	74211S2A000	COVER, R. HOOD HINGE	£16.60	1
18	PFKL800891	74261S2A000	COVER, L. HOOD HINGE	£16.60	1
19	PFKL800924	74270S2A000ZB	VALVE, L. DASHBOARD UPPER SIDE DRAIN *NH167L*	£0.00	1
20	PFKL803830	74828ST7900	STOPPER, TAILGATE	£8.70	2
21	PFKL994501	90502S2A305	WASHER, PLAIN, 6MM	£2.33	4
22	PFKL996713	90601S30003	GROMMET, COWL TOP	£3.85	1
23	PFKL996716	90601S84A01	GROMMET, HOOD OPEN STAY	£6.58	1
24	PFKL996886	90602SX0003	CLIP, COWL TOP	£3.62	1
25	PFKL996889	90602S2A003	CLIP, COWL TOP	£5.83	8
26	PFKL997008	90603S2A003	GROMMET, COWL TOP	£3.53	8
27	PFKL999869	90687SB2901ZF	CLIP, AIRSCOOP GRILLE (BLACK)	£3.38	7
28	PFKL1011722	91501S1K003	CLIP, ENGINE HOOD INSULATOR	£3.55	10

29	PFKL1011806	91502S84A11	CLIP, SEAL RUBBER (ORANGE)	£2.94	7
30	PFKL1011839	91503SS0003	HOLDER, ROD	£6.58	1
31	PFKL1011843	91503SZ3003	CLIP A, BUMPER	£4.36	4
32	PFKL1012929	91552SH5003ZF	CLIP, RR. SIDE LINING *NH167L*	£0.00	2
33	PFKL1013189	91558SE3003	CLIP, HOOD WIRE	£6.55	5
34	PFKL1017158	934010601608	BOLT-WASHER, 6X16	£1.39	2
35	PFKL1017383	934040601604	BOLT-WASHER, 6X16	£1.92	7
36	PFKL1027827	9555120000	PLUG, BLIND, 20MM	£5.54	1
37	PFKL798803	74120S2AG03	LOCK ASSY., HOOD	£82.63	1
38	PFKL1017474	934050601605	BOLT-WASHER, 6X16	£2.21	4

B-52 FRONT WINDSHIELD



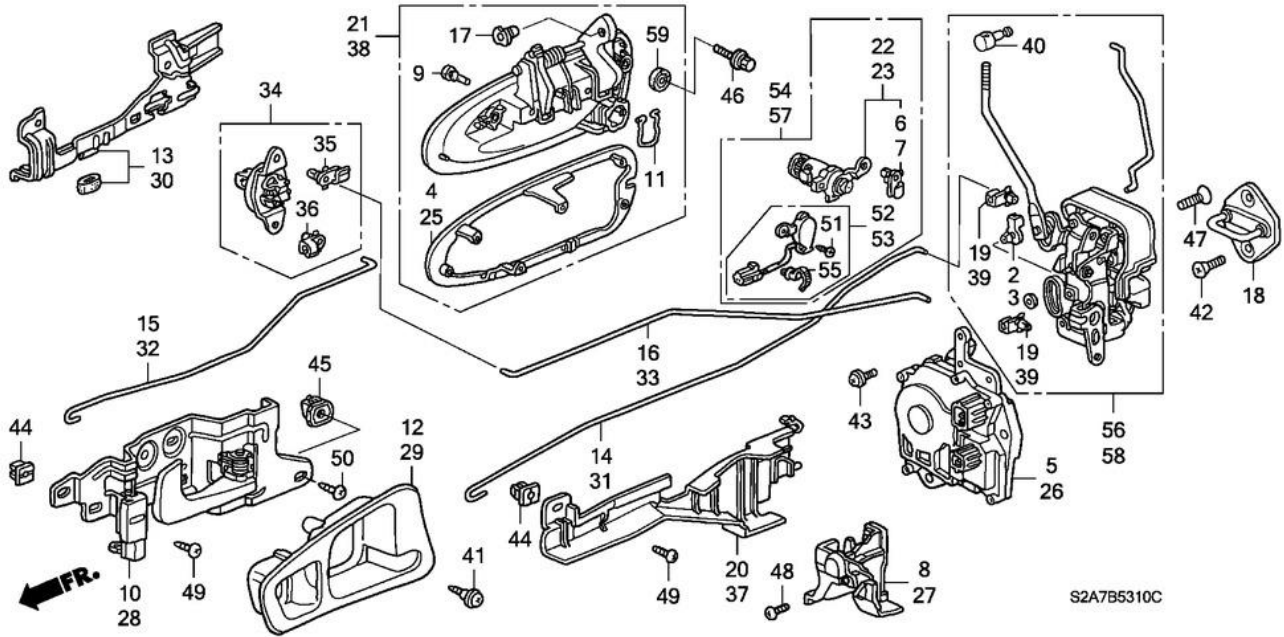
Ref	Part No	Honda Part No	Description	Price (Each)	Req Qty
1	PFKL219189	04731S2A000	RUBBER SET, FR. WINDSHIELD DAM	£44.75	1
2	PFKL791578	73111S2AG01	GLASS SET, FR. WINDSHIELD (GREEN) (AGC)	£342.23	1
3	PFKL791674	73122S04000	SEAL A, FR. WINDSHIELD MOLDING	£5.35	2
4	PFKL791772	73127S2A003	SEAL, FR. WINDSHIELD MOLDING SIDE	£7.72	2
5	PFKL791926	73150S2A013	MOLDING, FR. WINDSHIELD	£170.35	1
6	PFKL861974	78527S04E80	LABEL, SRS CAUTION (CHILD SEAT)	£7.72	1
7	PFKL1013541	91568SX0003	FASTENER A, WINDSHIELD	£10.46	2
8	PFKL1013557	91569SX0013	FASTENER B, WINDSHIELD	£10.20	2



Ref	Part No	Honda Part No	Description	Price (Each)	Req Qty
1	PFKL572239	39885S5AG11	LABEL, IMMOBILIZER & SECURITY	£5.10	2
2	PFKL782091	72210S2AJ02	REGULATOR ASSY., R. DOOR	£325.01	1
3	PFKL782253	72212S2A000	PATCH, FR. DOOR REGULATOR LOWER	£0.00	2
4	PFKL782763	72235S2A013	RUNCHANNEL, FR. DOOR	£23.98	2
5	PFKL782822	72240S2A023	HOLDER ASSY., R. FR. SASH	£152.00	1
6	PFKL782840	72245ST8A00	PLATE, DOOR GLASS STOPPER	£0.00	4
7	PFKL782842	72246SG0003	STOPPER, DOOR GLASS UPPER	£7.76	4
8	PFKL782847	72246SL4003	STABILIZER, DOOR PANEL	£0.00	2
9	PFKL782871	72249SK7000	BOLT, DOOR ADJUST	£0.00	4
10	PFKL782873	72249SW5000	BOLT, DOOR ADJUST	£0.00	2
11	PFKL783082	72250S2AJ02	REGULATOR ASSY., L. DOOR	£325.01	1
12	PFKL783629	72280S2A023	HOLDER ASSY., L. FR. SASH	£152.00	1
13	PFKL793611	73300S2AE10	GLASS ASSY., R. DOOR (GREEN) (AGC)	£205.42	1
14	PFKL794055	73350S2AE10	GLASS ASSY., L. DOOR (GREEN) (AGC)	£205.42	1
15	PFKL795162	73572SK8003	WASHER, DOOR GLASS (A) (BLACK)	£0.00	6
16	PFKL795163	73573SK8003	WASHER B, DOOR GLASS (WHITE)	£0.00	6
17	PFKL795164	73574SK8000	NUT, GLASS PLATE	£6.79	6
18	PFKL795170	73594SK8000	BOLT, DOOR GLASS TIE	£0.00	6
19	PFKL795377	73804SK8000	WASHER, DOOR GLASS	£0.00	6
20	PFKL809707	75316S2A000	STABILIZER, DOOR GLASS	£0.00	2
21	PFKL809710	75318SB2000	NUT, DOOR GLASS STOPPER	£7.34	6
22	PFKL809711	75318SK7003	WASHER, DOOR GLASS (B) (BLACK)	£4.14	6
23	PFKL809717	75319SK7003	WASHER, DOOR GLASS (A) (NATURAL)	£0.00	2
24	PFKL974024	90001SB2000	BOLT-WASHER, 6X17	£0.00	6
25	PFKL980139	90103S2A000	BOLT-WASHER, 8X16	£0.00	2
26	PFKL986864	90158SW5000	BOLT, DOOR GLASS	£0.00	6
27	PFKL989325	90302SD2003	NUT-WASHER, 8MM	£2.76	4

28	PFKL1012593	91540SV4003	CLIP, HARNESS BAND (NATURAL) (145.2MM)	£6.25	2
29	PFKL1013670	91580SM4003	CLIP, COUPLER (ORANGE)	£4.93	2
30	PFKL1017467	934050601208	BOLT-WASHER, 6X12	£2.21	4
31	PFKL1017504	934050801608	BOLT-WASHER, 8X16	£2.15	4
32	PFKL1021374	9407108050	NUT-WASHER, 8MM	£1.92	6
33	PFKL1028254	957010601208	BOLT, FLANGE, 6X12	£1.92	6
34	PFKL1028277	957010601608	BOLT, FLANGE, 6X16	£1.92	4

B-53-10 DOOR LOCKS/OUTER HANDLE

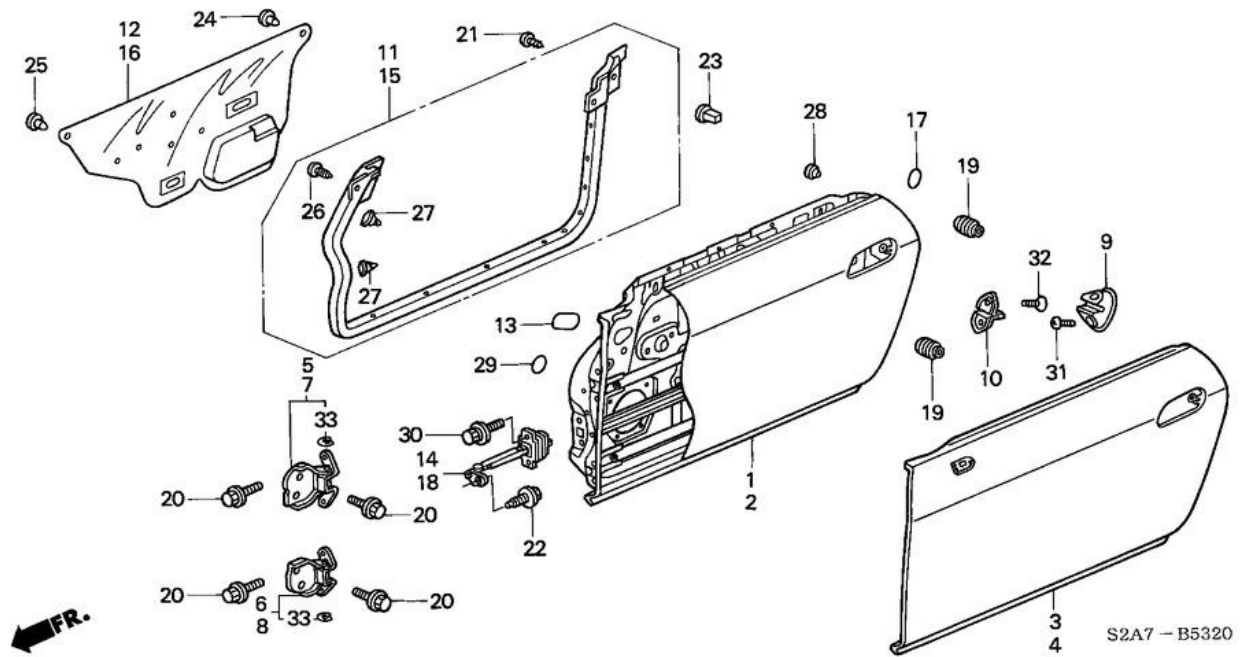


Ref	Part No	Honda Part No	Description	Price (Each)	Req Qty
2	PFKL775919	72112SR4004	SNAP (BROWN)	£3.42	1
3	PFKL775929	72113SR4004	SNAP (BLACK)	£4.27	1
4	PFKL775939	72114S86K01	SEAT, R. OUTSIDE HANDLE	£0.00	1
5	PFKL776005	72115S84A11	ACTUATOR ASSY., DOOR LOCK	£116.28	1
6	PFKL776031	72116S04003	HOLDER, ROD (SKY BLUE)	£7.14	1
7	PFKL776055	72117S04003	HOLDER, ROD (YELLOW)	£7.14	1
8	PFKL776060	72117S2A003	PROTECTOR, R. FR. DOOR LOCK	£10.31	1
9	PFKL776089	72119SM1003	STOPPER A, OUTSIDE HANDLE	£0.00	4
10	PFKL776286	72120S2AJ01ZA	HANDLE ASSY., R. INSIDE *NH474L*	£57.36	1
11	PFKL776417	72123SR0003	RING, OUTSIDE HANDLE	£5.71	2
12	PFKL776520	72125SR0A02ZB	CASE, R. INSIDE *NH167L*	£9.26	1
13	PFKL776677	72130S84A00	PROTECTOR, R. FR. DOOR OUTER HANDLE	£13.12	1
14	PFKL776735	72131S2A013	ROD, R. FR. INSIDE HANDLE	£9.32	1
15	PFKL776773	72132S2A023	ROD A, R. FR. INSIDE LOCK	£8.09	1
16	PFKL776796	72133S2A013	ROD, R. RR. INSIDE LOCK	£8.09	1
17	PFKL776804	72134SM1003	BUSH, OUTSIDE HANDLE JOINT	£4.16	2
18	PFKL776823	72135S2A003	STRIKER ASSY., DOOR LOCK	£13.97	2
19	PFKL776930	72139SR0A01	SNAP (VIOLET)	£3.53	2
20	PFKL776947	72139S2AA01	PROTECTOR, R. FR. DOOR ROD	£12.46	1
21	PFKL778169	72140S86K02YV	HANDLE ASSY., R. FR. DOOR OUTSIDE *YR536P*	£0.00	1
21	PFKL778170	72140S86K02YW	HANDLE ASSY., R. FR. DOOR OUTSIDE *B523P*	£0.00	1
21	PFKL778168	72140S86K02YU	HANDLE ASSY., R. FR. DOOR OUTSIDE *R508P*	£0.00	1
21	PFKL778167	72140S86K02YT	HANDLE ASSY., R. FR. DOOR OUTSIDE *NH609P*	£0.00	1
21	PFKL778165	72140S86K02YR	HANDLE ASSY., R. FR. DOOR OUTSIDE *B513M*	£0.00	1
21	PFKL778163	72140S86K02YD	HANDLE ASSY., R. FR. DOOR OUTSIDE *R510*	£63.35	1
21	PFKL778162	72140S86K02YC	HANDLE ASSY., R. FR. DOOR OUTSIDE *NH630M*	£93.91	1
21	PFKL778160	72140S86K02YA	HANDLE ASSY., R. FR. DOOR OUTSIDE *NH547*	£63.35	1

21	PFKL778158	72140S86K02A4	HANDLE ASSY., R. FR. DOOR OUTSIDE *YR564M*	£0.00	1
21	PFKL778157	72140S86K02A3	HANDLE ASSY., R. FR. DOOR OUTSIDE *B545P*	£0.00	1
21	PFKL778156	72140S86K02A2	HANDLE ASSY., R. FR. DOOR OUTSIDE *Y65P*	£0.00	1
21	PFKL778171	72140S86K02YY	HANDLE ASSY., R. FR. DOOR OUTSIDE *NH676M*	£63.35	1
23	PFKL778801	72146S0XA51	CYLINDER, L. DOOR	£105.50	1
25	PFKL779469	72154S86K01	SEAT, L. OUTSIDE HANDLE	£0.00	1
26	PFKL779534	72155S84A11	ACTUATOR ASSY., L. FR. DOOR LOCK	£116.28	1
27	PFKL779580	72157S2A003	PROTECTOR, L. FR. DOOR LOCK	£0.00	1
28	PFKL779777	72160S2AJ01ZA	HANDLE ASSY., L. INSIDE *NH474L*	£57.36	1
29	PFKL779956	72165SR0A02ZB	CASE, L. INSIDE *NH167L*	£9.26	1
30	PFKL780075	72170S84A00	PROTECTOR, L. FR. DOOR OUTER HANDLE	£13.12	1
31	PFKL780116	72171S2A013	ROD, L. FR. INSIDE HANDLE	£0.00	1
32	PFKL780149	72172S2A023	ROD A, L. FR. INSIDE LOCK	£0.00	1
33	PFKL780167	72173S2A013	ROD, L. RR. INSIDE LOCK	£0.00	1
34	PFKL780180	72175S03003	CRANK ASSY., LOCK ROD	£9.28	2
35	PFKL780184	72176S03003	HOLDER, 3.5MM	£6.50	2
36	PFKL780185	72177S03003	HOLDER, 4.0MM	£6.50	2
37	PFKL780199	72179S2AA01	PROTECTOR, L. FR. DOOR ROD	£0.00	1
38	PFKL781529	72180S86K02YY	HANDLE ASSY., L. FR. DOOR OUTSIDE *NH676M*	£82.08	1
38	PFKL781521	72180S86K02YD	HANDLE ASSY., L. FR. DOOR OUTSIDE *R510*	£63.35	1
38	PFKL781523	72180S86K02YR	HANDLE ASSY., L. FR. DOOR OUTSIDE *B513M*	£0.00	1
38	PFKL781525	72180S86K02YT	HANDLE ASSY., L. FR. DOOR OUTSIDE *NH609P*	£63.35	1
38	PFKL781526	72180S86K02YU	HANDLE ASSY., L. FR. DOOR OUTSIDE *R508P*	£0.00	1
38	PFKL781527	72180S86K02YV	HANDLE ASSY., L. FR. DOOR OUTSIDE *YR536P*	£0.00	1
38	PFKL781528	72180S86K02YW	HANDLE ASSY., L. FR. DOOR OUTSIDE *B523P*	£0.00	1
38	PFKL781520	72180S86K02YC	HANDLE ASSY., L. FR. DOOR OUTSIDE *NH630M*	£0.00	1
38	PFKL781516	72180S86K02A4	HANDLE ASSY., L. FR. DOOR OUTSIDE *YR564M*	£0.00	1
38	PFKL781515	72180S86K02A3	HANDLE ASSY., L. FR. DOOR OUTSIDE *B545P*	£0.00	1
38	PFKL781514	72180S86K02A2	HANDLE ASSY., L. FR. DOOR OUTSIDE *Y65P*	£0.00	1
38	PFKL781518	72180S86K02YA	HANDLE ASSY., L. FR. DOOR OUTSIDE *NH547*	£93.92	1
39	PFKL786801	72616SM4003	SNAP (NATURAL)	£4.52	2
40	PFKL811806	75411634000	JOINT	£5.62	2
41	PFKL983725	90120SM4000	SCREW, TAPPING	£2.51	2
42	PFKL983729	90120SV4000	BOLT, LOCK STRIKER	£4.57	4
43	PFKL985930	90141S84003	SCREW, 3X10	£2.66	4
44	PFKL998382	90662SB2003	GROMMET, SCREW, 5MM	£4.96	6
45	PFKL1014372	91626SP0003	GROMMET, SCREW, 5MM	£8.24	2
46	PFKL1017293	934030601208	BOLT-WASHER, 6X12	£2.21	4
47	PFKL1019121	93600060280A	SCREW, FLAT, 6X28	£1.92	6
48	PFKL1020166	9390122120	SCREW, TAPPING, 3X8	£1.49	2
49	PFKL1020653	9390345220	SCREW, TAPPING, 5X12	£1.49	6
50	PFKL1020668	9390345520	SCREW, TAPPING, 5X25	£1.56	2
51	PFKL776080	72118ST7003	SCREW, TAPPING, 3X5	£4.18	1
52	PFKL778310	72142S2AE01	SWITCH ASSY., R. DOOR CYLINDER	£99.60	1
55	PFKL1012597	91540S30003	CLIP, HARNESS BAND (NATURAL) (151.5MM)	£5.51	4
56	PFKL775902	72111S2A013	LOCK ASSY., R. FR. DOOR	£89.72	1

57	PFKL778621	72145S2AE01	CYLINDER, R. DOOR	£122.41	1
58	PFKL779453	72151S2A013	LOCK ASSY., L. FR. DOOR	£89.72	1
59	PFKL778420	72143S04003	PACKING	£3.66	4

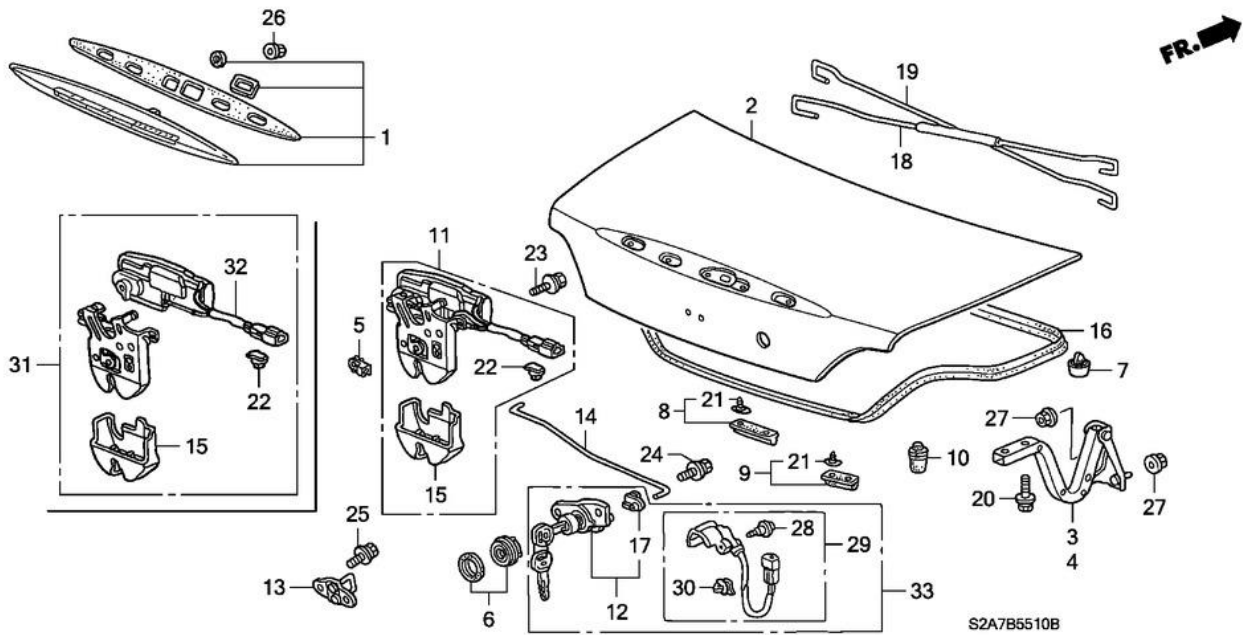
B-53-20 DOOR PANELS



Ref	Part No	Honda Part No	Description	Price (Each)	Req Qty
1	PFKL756876	67010S2AA93ZZ	PANEL COMP., R. FR. DOOR	£523.50	1
2	PFKL757265	67050S2AA93ZZ	PANEL COMP., L. FR. DOOR	£523.50	1
3	PFKL757524	67111S2A335ZZ	SKIN, R. FR. DOOR	£276.55	1
4	PFKL757681	67151S2A335ZZ	SKIN, L. FR. DOOR	£276.55	1
5	PFKL758405	67410S2A003ZZ	HINGE, R. FR. DOOR UPPER	£40.00	1
6	PFKL758435	67420S2A003ZZ	HINGE, R. FR. DOOR LOWER	£40.00	1
7	PFKL758484	67450S2A003ZZ	HINGE, L. FR. DOOR UPPER	£40.00	1
8	PFKL758514	67460S2A003ZZ	HINGE, L. FR. DOOR LOWER	£40.00	1
9	PFKL778343	72143SR2010	RUBBER, DOOR WEDGE	£18.86	2
10	PFKL778451	72144SR2010	WEDGE, DOOR	£11.95	2
11	PFKL783756	72310S2A023	WEATHERSTRIP, R. DOOR	£92.50	1
12	PFKL784129	72321S2A000	SEAL, R. FR. DOOR HOLE	£29.34	1
13	PFKL784272	72327SS0000	SEAL, DOOR UPPER HOLE	£3.01	2
14	PFKL784431	72340S2A003	CHECKER COMP., R. DOOR	£46.93	1
15	PFKL784557	72350S2A023	WEATHERSTRIP, L. DOOR	£92.50	1
16	PFKL784887	72361S2A000	SEAL, L. FR. DOOR HOLE	£29.34	1
17	PFKL785002	72367SF4000	SEAL, DOOR PANEL	£3.37	2
18	PFKL785094	72380S2A003	CHECKER COMP., L. DOOR	£43.97	1
19	PFKL818855	75891SA7000	STOPPER, DOOR	£4.82	4
20	PFKL979337	90101SZ3000	BOLT, FLANGE, 8X22 (8.5MM)	£8.52	16
21	PFKL985755	90137SD2003	SCREW, TAPPING, 4X12 (SUS)	£6.04	4
22	PFKL985925	90141S04000	BOLT, FLANGE, 8X22	£5.32	2
23	PFKL998552	90665SM4000	GROMMET, SCREW, 4MM (YELLOW)	£2.74	4
24	PFKL999849	90686692003	CAP, LINING MOUNT	£4.42	2
25	PFKL1013402	91562SM4013	GROMMET, DOOR LINING	£4.60	2
26	PFKL1013511	91567SR2013	CLIP	£3.46	4

27	PFKL1013537	91568SR2003	CLIP, DOOR WEATHERSTRIP	£4.81	34
28	PFKL1014068	91601SB4000	STOPPER, DOOR	£6.07	2
29	PFKL1014529	91657SP0000	SEAL C, DOOR PANEL HOLE (25MM)	£2.04	2
30	PFKL1017477	934050601608	BOLT-WASHER, 6X16	£2.38	4
31	PFKL1018747	93500060200A	SCREW, PAN, 6X20	£1.56	4
32	PFKL1019090	93600060160A	SCREW, FLAT, 6X16	£1.56	4
33	PFKL1022090	9454006014	E-RING, 6MM	£2.90	4

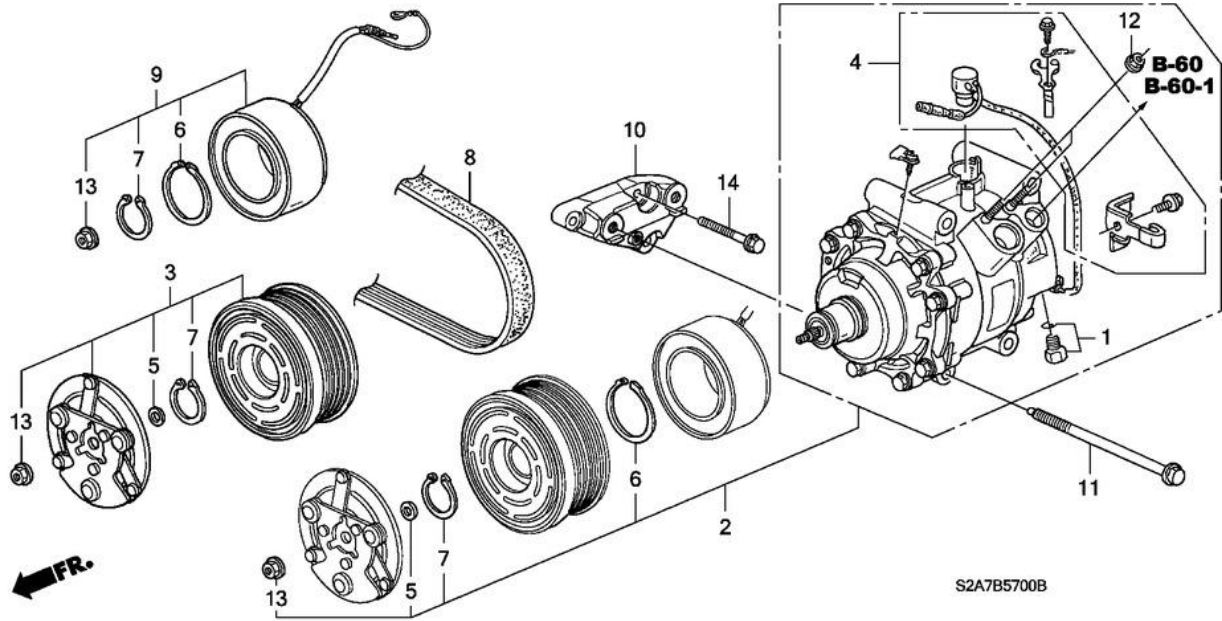
B-55-10 TRUNK LID



Ref	Part No	Honda Part No	Description	Price (Each)	Req Qty
1	PFKL517984	34270S2AJ01	LAMP ASSY., HIGH MOUNT STOP	£476.75	1
2	PFKL760601	68500S2AA90ZZ	LID COMP., TRUNK	£488.22	1
3	PFKL760707	68610S2A010ZZ	HINGE COMP., R. TRUNK	£47.52	1
4	PFKL760765	68660S2A010ZZ	HINGE COMP., L. TRUNK	£47.52	1
5	PFKL776805	72134SM4003	SNAP, R. (VIOLET)	£2.90	1
6	PFKL803379	74815S2A003ZU	GARNISH, TRUNK CYLINDER *YR564M*	£0.00	1
6	PFKL803378	74815S2A003ZT	GARNISH, TRUNK CYLINDER *B545P*	£0.00	1
6	PFKL803377	74815S2A003ZS	GARNISH, TRUNK CYLINDER *Y65P*	£0.00	1
6	PFKL803376	74815S2A003ZR	GARNISH, TRUNK CYLINDER *NH676M*	£13.09	1
6	PFKL803375	74815S2A003ZP	GARNISH, TRUNK CYLINDER *B523P*	£0.00	1
6	PFKL803374	74815S2A003ZN	GARNISH, TRUNK CYLINDER *YR536P*	£0.00	1
6	PFKL803373	74815S2A003ZM	GARNISH, TRUNK CYLINDER *R508P*	£0.00	1
6	PFKL803372	74815S2A003ZL	GARNISH, TRUNK CYLINDER *NH609P*	£0.00	1
6	PFKL803370	74815S2A003ZH	GARNISH, TRUNK CYLINDER *B513M*	£0.00	1
6	PFKL803368	74815S2A003ZE	GARNISH, TRUNK CYLINDER *R510*	£0.00	1
6	PFKL803367	74815S2A003ZD	GARNISH, TRUNK CYLINDER *NH630M*	£13.01	1
6	PFKL803365	74815S2A003ZB	GARNISH, TRUNK CYLINDER *NH547*	£13.01	1
7	PFKL803738	74822S2A003	CUSHION, TRUNK HINGE	£4.96	2
8	PFKL803794	74826S2A000	PROTECTOR, RR. COMBINATION	£7.34	2
9	PFKL803795	74826S84A00	PROTECTOR, RR. COMBINATION	£9.16	2
10	PFKL803856	74829S84A00	STOPPER, TRUNK LID	£8.23	2
13	PFKL804277	74862SE3003	STRIKER, TRUNK	£16.78	1
14	PFKL804323	74863S2A003	ROD, TRUNK LOCK	£7.78	1
15	PFKL804348	74864S30003	COVER	£7.01	1
16	PFKL804399	74865S2A010	WEATHERSTRIP, TRUNK LID	£81.46	1
17	PFKL804433	74867SW5003	HOLDER, ROD	£5.60	1
18	PFKL804529	74871S2A010	SPRING, R. TRUNK OPENER	£27.18	1

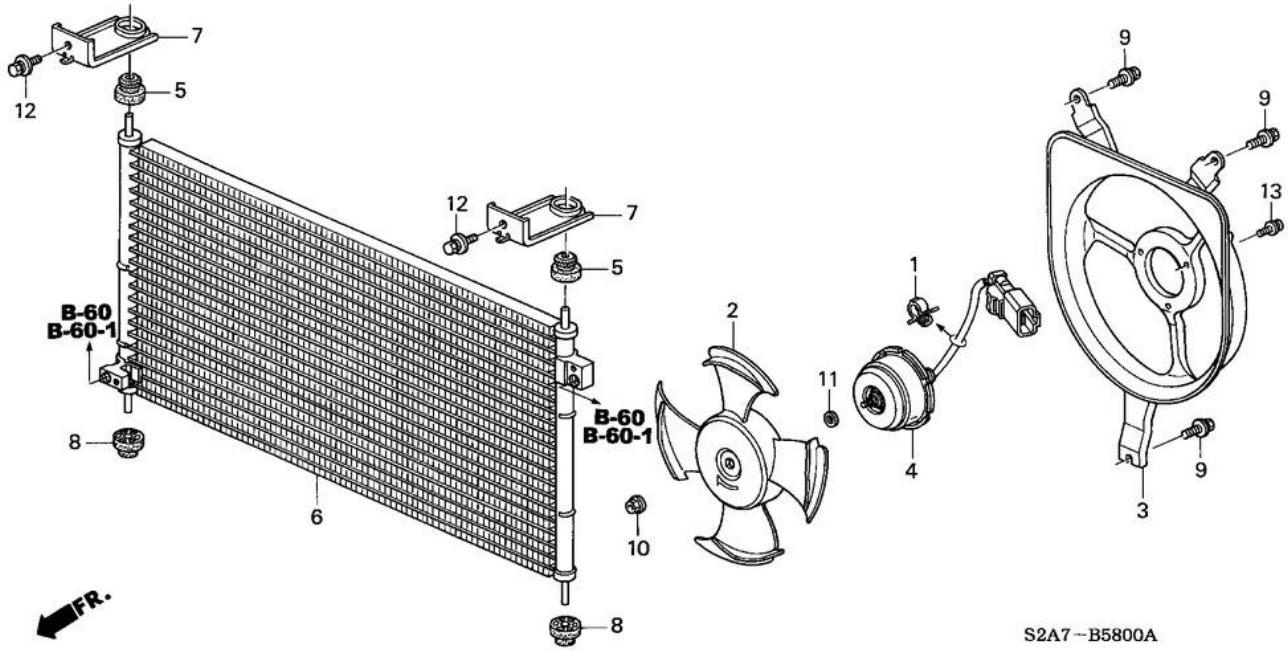
19	PFKL804600	74872S2A000	SPRING, L. TRUNK OPENER	£27.18	1
20	PFKL981788	90109SM4000	BOLT, SPECIAL, 6X35	£4.60	4
21	PFKL1012271	91516SM4013	CLIP, RR. COMBINATION PROTECTOR	£2.62	8
22	PFKL1012516	91533S04003	CLIP, COUPLER (NATURAL)	£2.70	1
23	PFKL1017303	934030601608	BOLT-WASHER, 6X16	£2.21	2
24	PFKL1017311	934030602008	BOLT-WASHER, 6X20	£2.21	2
25	PFKL1017476	934050601607	BOLT-WASHER, 6X16	£2.21	2
26	PFKL1021316	9405005080	NUT, FLANGE, 5MM	£0.50	5
27	PFKL1021373	9407106080	NUT-WASHER, 6MM	£1.92	4
28	PFKL525994	35103S04003	SCREW, RECESSED	£7.51	1
29	PFKL804423	74866S2AG01	SWITCH, TRUNK CYLINDER	£0.00	1
30	PFKL1013081	91555SM4003	CLIP, COUPLER (RED)	£3.16	1
31	PFKL804035	74851S2AG01	LOCK, TRUNK LID (POWER) (SECURITY)	£123.00	1
32	PFKL804074	74856S2AG01	ACTUATOR ASSY., TRUNK	£0.00	1
33	PFKL804248	74861S2AG01	CYLINDER, TRUNK	£79.26	1

B-57 AIR CONDITIONER (COMPRESSOR)



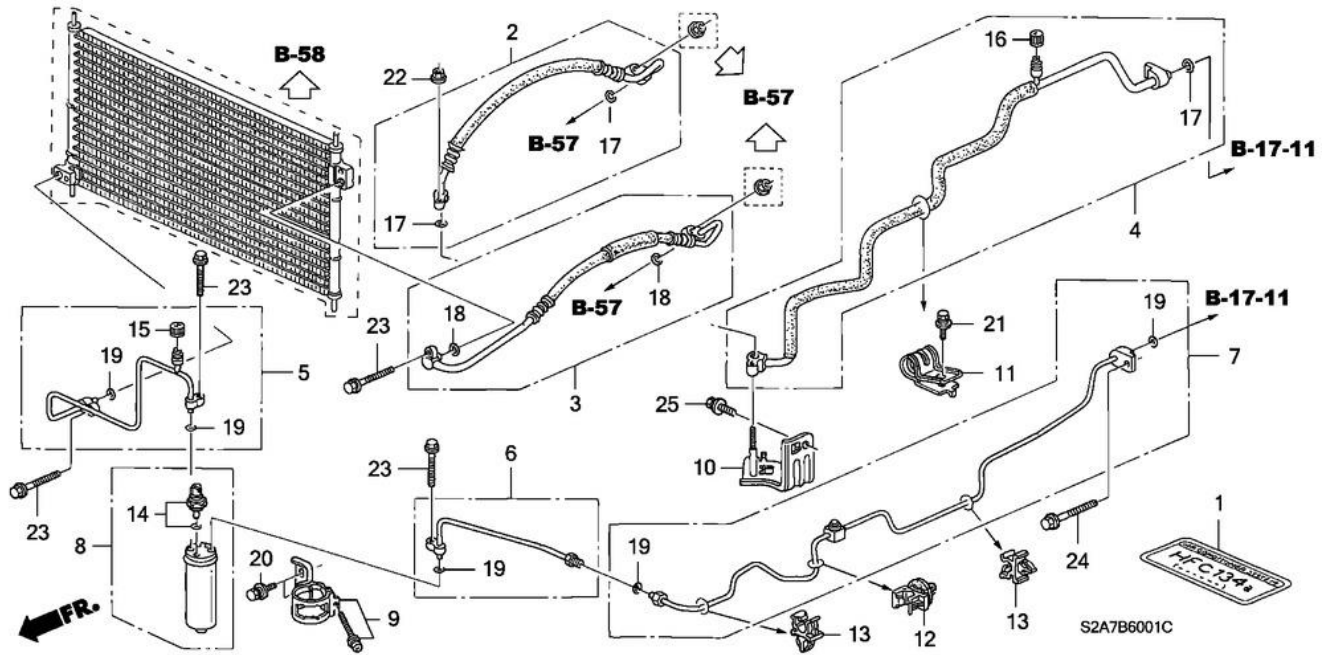
Ref	Part No	Honda Part No	Description	Price (Each)	Req Qty
1	PFKL564277	38801PCA006	VALVE SUB ASSY., SAFETY	£127.93	1
2	PFKL564307	38810PCX016	COMPRESSOR COMP. (KEIHIN)	£1,221.16	1
3	PFKL564719	38900PCX016	CLUTCH SET, MAGNETIC	£343.90	1
4	PFKL564907	38908PCX006	PROTECTOR SET, THERMAL	£145.85	1
5	PFKL565000	38912P06006	SHIM SET	£15.19	1
6	PFKL565008	38913RB0006	CIRCLIP, EXTERNAL, 45MM	£8.09	1
7	PFKL565011	38914P06006	CIRCLIP, EXTERNAL, 35MM	£13.09	1
8	PFKL565040	38920PCX024	BELT, COMPRESSOR	£57.88	1
9	PFKL565367	38924PCX006	COIL SET, SOLENOID	£151.51	1
10	PFKL565510	38930PCX000	BRACKET, COMPRESSOR	£51.10	1
11	PFKL976646	90022PCX000	BOLT, FLANGE, 10X84	£9.73	4
12	PFKL1021328	9405006080	NUT, FLANGE, 6MM	£2.23	2
13	PFKL1021341	9405008080	NUT, FLANGE, 8MM	£2.76	1
14	PFKL1028503	957010803508	BOLT, FLANGE, 8X35	£2.15	3

B-58 AIR CONDITIONER (CONDENSER)



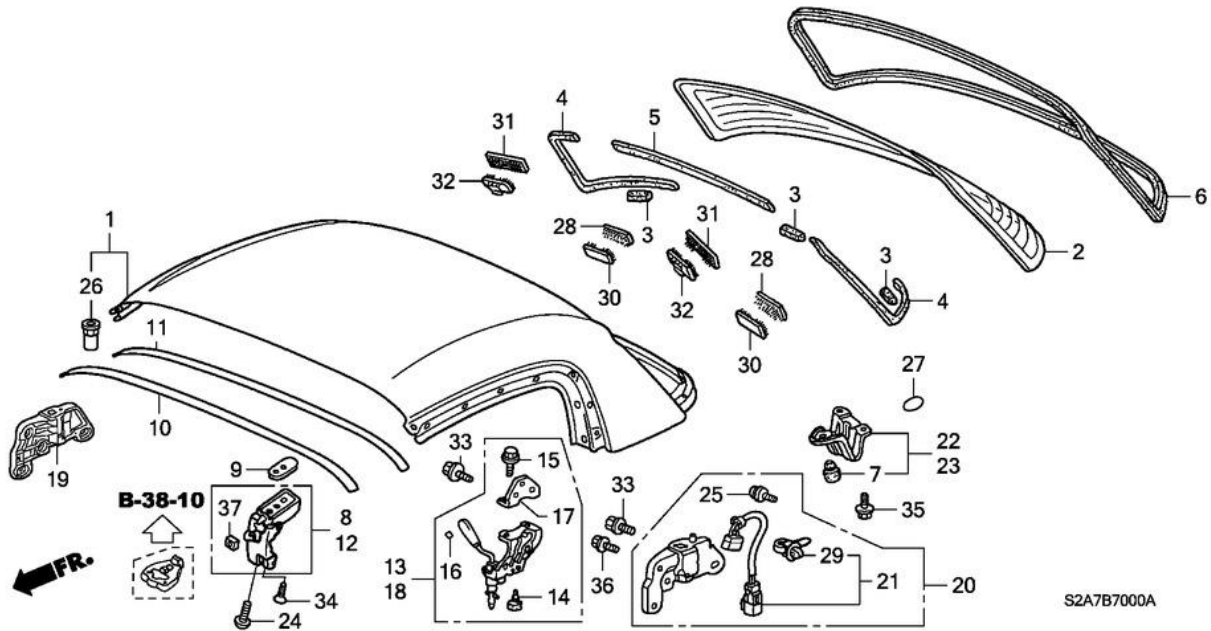
Ref	Part No	Honda Part No	Description	Price (Each)	Req Qty
1	PFKL457900	30701883000	CLIP, WIRE HARNESS	£3.24	1
2	PFKL562959	38611PAAA01	FAN COMP., COOLING (MITSUBA)	£86.28	1
3	PFKL563033	38615PCX010	SHROUD COMP.	£82.28	1
4	PFKL563155	38616PCA004	MOTOR, COOLING FAN	£337.42	1
5	PFKL870433	80107SS0000	MOUNT, CONDENSER UPPER	£8.82	2
6	PFKL871040	80110S2A900	CONDENSER COMP.	£614.89	1
7	PFKL871247	80111S2A000	BRACKET, CONDENSER UPPER	£7.38	2
8	PFKL872883	80175SE0000	MOUNT, CONDENSER	£7.09	2
9	PFKL1017290	934030601204	BOLT-WASHER, 6X12	£2.21	3
10	PFKL977611	90041PAAA01	NUT, TOOTHED, 5MM	£5.78	1
11	PFKL992255	90430PAAA01	WASHER, PLAIN, 8MM	£1.94	1
12	PFKL1017383	934040601604	BOLT-WASHER, 6X16	£1.92	2
13	PFKL1019893	938930400808	SCREW-WASHER, 4X8	£1.92	3

B-60 AIR CONDITIONER (HOSES/PIPES) (RH)



Ref	Part No	Honda Part No	Description	Price (Each)	Req Qty
1	PFKL867035	80050SP0000	LABEL, AIR CONDITIONER CAUTION (HFC134A)	£4.52	1
2	PFKL875292	80311S2A003	HOSE COMP., SUCTION	£216.43	1
3	PFKL875593	80315S2A003	HOSE COMP., DISCHARGE	£230.90	1
4	PFKL875860	80321S2A023	PIPE COMP., SUCTION	£266.50	1
5	PFKL876199	80331S2A901	PIPE, CONDENSER	£248.72	1
6	PFKL876466	80341S2A003	PIPE A, RECEIVER	£86.11	1
7	PFKL876581	80342S2A901	PIPE B, RECEIVER	£179.39	1
8	PFKL876826	80351S2A901	RECEIVER COMP.	£206.18	1
9	PFKL876876	80352S2A900	BRACKET, LIQUID TANK	£0.00	1
10	PFKL876969	80361S2A000	STAY, SUCTION HOSE	£7.78	1
11	PFKL877071	80364SF1000	CLAMP A, SUCTION PIPE	£6.77	1
12	PFKL877257	80381SV7A01	CLAMP, RECEIVER PIPE	£10.54	1
13	PFKL1012468	91531SZ5003	CLIP, TUBE, 3.5	£2.88	2
14	PFKL877663	80440SS0901	SWITCH, DUAL PRESSURE (FUJI)	£63.04	1
14	PFKL877663	80440SS0901	SWITCH, DUAL PRESSURE (SAGINOMIYA)	£63.04	1
15	PFKL879053	80865SL0003	CAP, VALVE (H)	£14.54	1
16	PFKL879075	80866SL0003	CAP, VALVE (L)	£13.97	1
17	PFKL879099	80871ST7000	O-RING (5/8")	£4.85	3
18	PFKL879108	80872ST7000	O-RING (1/2")	£4.54	2
19	PFKL879121	80873ST7000	O-RING, 8MM	£5.36	5
20	PFKL1017300	934030601604	BOLT-WASHER, 6X16	£2.21	2
21	PFKL1017303	934030601608	BOLT-WASHER, 6X16	£2.21	1
22	PFKL1021328	9405006080	NUT, FLANGE, 6MM	£2.23	1
23	PFKL1028314	957010602505	BOLT, FLANGE, 6X25	£2.21	4
24	PFKL1028329	957010603005	BOLT, FLANGE, 6X30	£2.15	1
25	PFKL1017300	934030601604	BOLT-WASHER, 6X16	£2.21	1
25	PFKL1017303	934030601608	BOLT-WASHER, 6X16	£2.21	1

B-70 ROOF PANEL (HARD TOP)

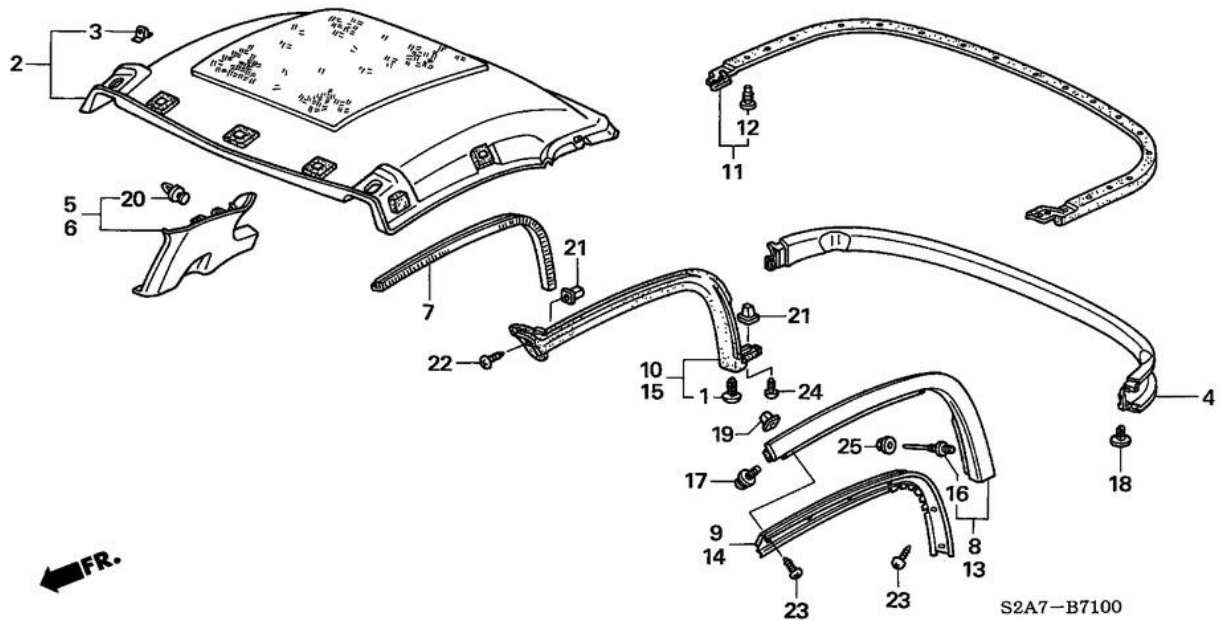


S2A7B7000A

Ref	Part No	Honda Part No	Description	Price (Each)	Req Qty
1	PFKL761195	69100S2A901ZZ	PANEL COMP., HARD TOP	£0.00	1
2	PFKL792738	73211S2A902	GLASS SET, RR. WINDSHIELD (GREEN)(AGC)	£886.92	1
3	PFKL792890	73221S2A000	SPACER, RR. WINDSHIELD	£7.60	3
4	PFKL792911	73224S2A000	RUBBER, RR. WINDSHIELD SIDE DAM	£12.78	2
5	PFKL792946	73225S2A000	RUBBER, RR. WINDSHIELD DAM	£7.33	1
6	PFKL793057	73250S2A903	MOLDING, RR. WINDSHIELD	£184.56	1
7	PFKL2044276	74812S3AJ10	CUSHION, SIDE GATE	£4.68	2
8	PFKL945559	85100S2A901	LOCK ASSY., R. HANDLE	£190.69	1
9	PFKL945579	85101S2A901	SHIM, HARD TOP LOCK	£7.61	6
10	PFKL945624	85123S2A900	TAPE A, FR. ROOF	£62.81	1
11	PFKL945631	85124S2A900	TAPE B, FR. ROOF	£74.09	1
12	PFKL945660	85150S2A901	LOCK ASSY., L. HANDLE	£190.69	1
13	PFKL945710	85200S2A902	LOCK ASSY., R. ROOF SIDE	£249.46	1
14	PFKL945740	85203S2A900	CUSHION, RUBBER	£6.00	2
15	PFKL945743	85205S2A003	BOLT, FLANGE, 8X15	£0.00	4
16	PFKL945744	85206S2A003	MARK, RED	£0.00	2
17	PFKL945745	85207S2A003	PLATE, BASE	£35.89	2
18	PFKL945956	85250S2A902	LOCK ASSY., L. ROOF SIDE	£249.46	1
19	PFKL946207	85300S2A902	CATCHER ASSY., R. BODY SIDE	£465.05	1
20	PFKL946233	85350S2A003	CATCHER ASSY., L. BODY SIDE	£546.86	1
21	PFKL946236	85352S2A003	CATCHER SET, L. BODY SIDE	£0.00	1
22	PFKL946255	85400S2A010	BRACKET, R. RR. WINDSHIELD	£54.85	1
23	PFKL946279	85450S2A010	BRACKET, L. RR. WINDSHIELD	£54.85	1
24	PFKL985930	90141S84003	SCREW, 3X10	£2.66	3
25	PFKL990644	90332SL0013	NUT, POP, 6MM	£14.64	16
26	PFKL1001203	90851SJ4000	SEAL, DOOR HOLE, 20MM	£0.00	6
27	PFKL1012557	91536SS0J01	FASTENER A, WINDSHIELD	£7.60	2

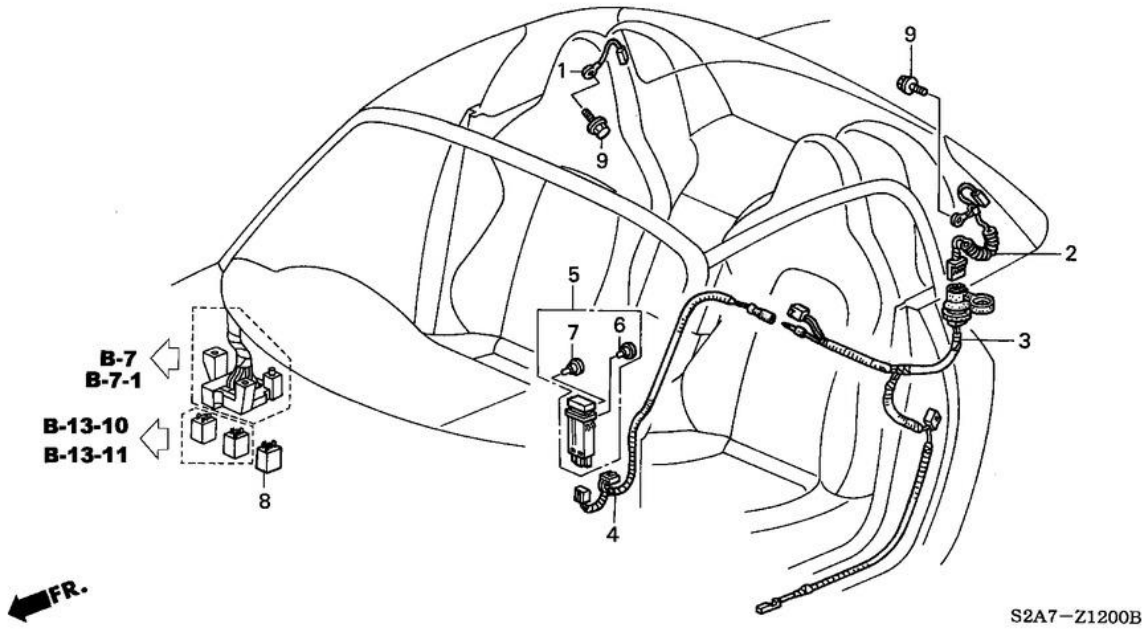
28	PFKL1012593	91540SV4003	CLIP, HARNESS BAND (NATURAL) (145.2MM)	£6.25	1
29	PFKL1013365	91561S04J01	FASTENER B, WINDSHIELD	£7.21	2
30	PFKL1013541	91568SX0003	FASTENER A, WINDSHIELD	£10.46	2
31	PFKL1013557	91569SX0013	FASTENER B, WINDSHIELD	£10.20	2
32	PFKL1013670	91580SM4003	CLIP, COUPLER (ORANGE)	£4.93	1
33	PFKL1017396	934040602008	BOLT-WASHER, 6X20	£1.92	10
34	PFKL1019103	93600060200G	SCREW, FLAT, 6X20	£1.56	2
35	PFKL985286	90131S2AJ00	SCREW, TRUSS, 6X25	£3.88	2
36	PFKL1028276	957010601607	BOLT, FLANGE, 6X16	£1.92	4
37	PFKL1028463	957010802008	BOLT, FLANGE, 8X20	£1.92	4
38	PFKL947337	86251S2A901	RUBBER	£4.57	2

B-71 ROOF LINING (HARD TOP)



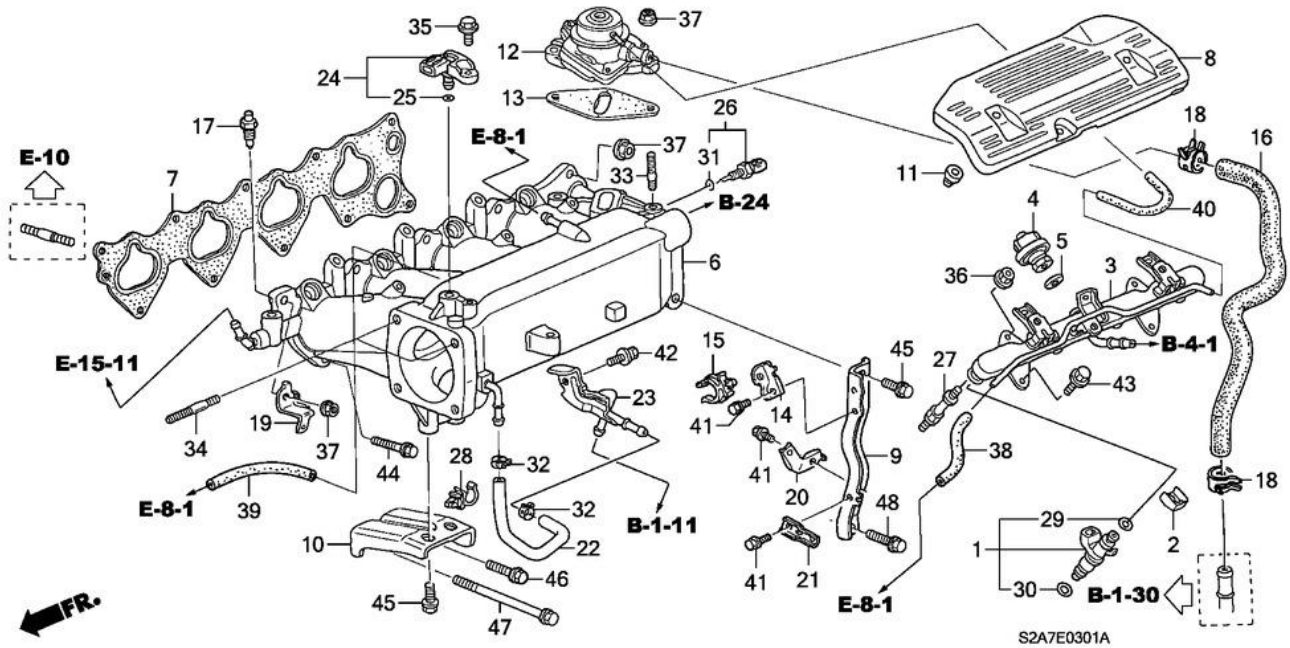
Ref	Part No	Honda Part No	Description	Price (Each)	Req Qty
1	PFKL785152	72384S2A003	CLIP	£0.00	2
2	PFKL907077	83200S2A000ZA	LINING ASSY., ROOF *NH167L*	£0.00	1
3	PFKL907640	83210S2A000ZA	GARNISH ASSY., RR. WINDSHIELD LOWER *NH167L*	£168.64	1
4	PFKL937986	84121S2A010ZA	GARNISH ASSY., R. RR. PILLAR *NH167L*	£85.68	1
5	PFKL939385	84171S2A010ZA	GARNISH ASSY., L. RR. PILLAR *NH167L*	£85.68	1
6	PFKL940401	84231S2A003	TRIM, ROOF SIDE	£15.98	2
7	PFKL945600	85110S2A901	MOLDING ASSY., R. ROOF	£517.88	1
8	PFKL945607	85120S2A901	RETAINER ASSY., R. ROOF	£171.85	1
9	PFKL945640	85130S2A902	WEATHERSTRIP, R. ROOF SIDE DOOR	£151.36	1
10	PFKL945647	85140S2A902	WEATHERSTRIP, HARD TOP LOWER	£494.10	1
11	PFKL945653	85141S2A003	CLIP	£0.00	19
12	PFKL945666	85160S2A901	MOLDING ASSY., L. ROOF	£464.87	1
13	PFKL945673	85170S2A901	RETAINER ASSY., L. ROOF	£171.85	1
14	PFKL945680	85180S2A902	WEATHERSTRIP, L. ROOF SIDE DOOR	£151.36	1
15	PFKL983202	90116SL0003	BOLT, CENTER PILLAR GARNISH STUD	£8.92	4
16	PFKL985578	90134S2A000	SCREW-WASHER, 4X6	£0.00	2
17	PFKL999294	90671S0D003ZK	CLIP, ROOF, 7MM *NH167L*	£3.20	3
18	PFKL1011828	91503SK7013	GROMMET, SCREW (4MM)	£4.74	12
19	PFKL1013305	91560S84A01	CLIP, DOOR LINING (NATURAL)	£4.36	8
20	PFKL1014189	91606S2A003	GROMMET ASSY., HARD TOP WEATHERSTRIP	£5.03	4
21	PFKL1020624	93903442G0	SCREW, TAPPING, 4X10	£1.82	2
22	PFKL1020630	93903443J0	SCREW, TAPPING, 4X12	£2.15	12
23	PFKL1020640	93903445G0	SCREW, TAPPING, 4X20	£1.91	2
24	PFKL1021369	9407105050	NUT-WASHER, 5MM	£1.56	4
25	PFKL907316	83202SZ3000	CLIP, ROOF LINING	£4.27	8

B-72 WIRE HARNESS (HARD TOP)



Ref	Part No	Honda Part No	Description	Price (Each)	Req Qty
1	PFKL485759	32202S2A000	CORD, DEFOGGER EARTH	£9.07	1
2	PFKL485772	32203S2A010	CORD, HARD TOP	£113.34	1
3	PFKL485784	32204S2A305	SUB CORD, HARD TOP	£90.71	1
9	PFKL986282	90149SE0003	BOLT, EARTH, 6X16	£5.68	2

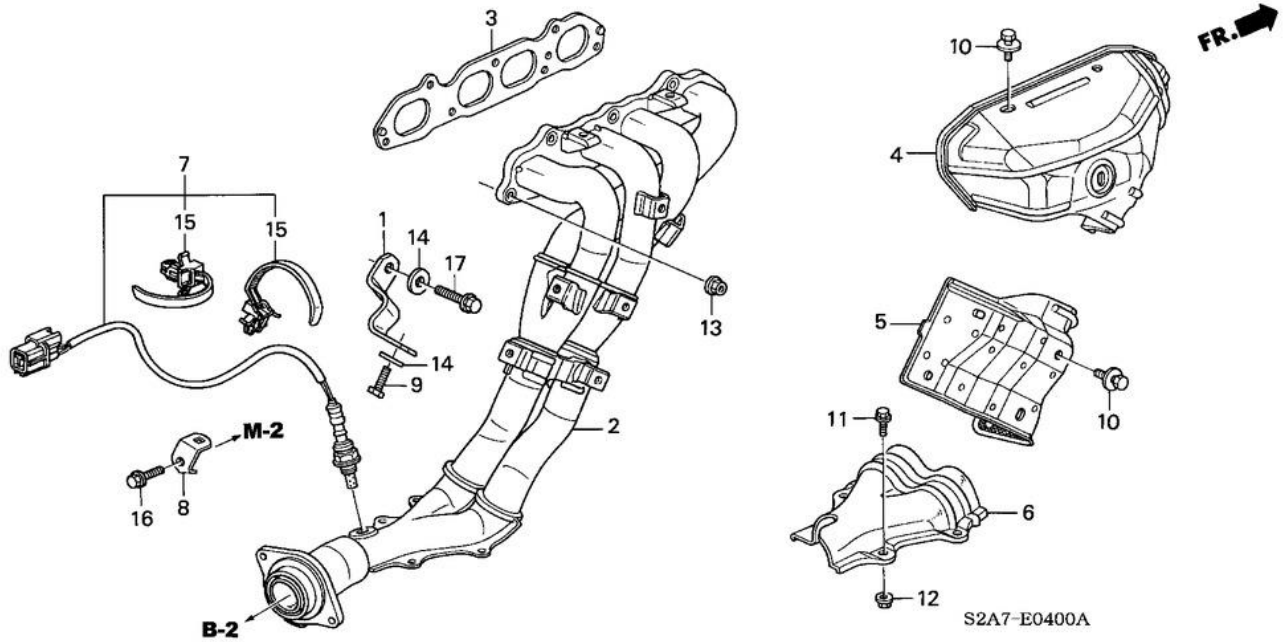
E-3-1 INTAKE MANIFOLD ('06-)



Ref	Part No	Honda Part No	Description	Price (Each)	Req Qty
1	PFKL337817	16450PCXG01	INJECTOR ASSY., FUEL	£309.84	4
2	PFKL337896	16451PLC000	CLIP, INJECTOR	£8.93	4
3	PFKL339638	16610PCXG01	PIPE COMP., FUEL	£0.00	1
4	PFKL340061	16680PZX003	DAMPER ASSY., PULSATION	£48.29	1
5	PFKL340484	16705PD1003	GASKET, SILENCER	£5.36	1
6	PFKL348032	17100PCXG00	MANIFOLD COMP., INTAKE	£1,052.66	1
7	PFKL348317	17105PCX004	GASKET, INTAKE MANIFOLD	£36.65	1
8	PFKL348790	17112PZX000	COVER, INTAKE MANIFOLD	£52.16	1
9	PFKL349054	17125PCX000	STAY A, INTAKE MANIFOLD	£35.14	1
10	PFKL349094	17126PCX010	STAY COMP. B, INTAKE MANIFOLD	£0.00	1
11	PFKL351637	17213P8AA00	RUBBER, INTAKE MANIFOLD COVER MOUNTING	£6.76	3
12	PFKL396585	18780PCXA01	VALVE ASSY., SECOND AIR	£0.00	1
13	PFKL396587	18781PCX000	PACKING, SECOND AIR VALVE	£11.24	1
14	PFKL396613	18792PCX000	STAY, HOSE CLAMP	£0.00	1
15	PFKL396618	18794PCX003	CLAMP A, AIR HOSE	£3.34	1
16	PFKL396637	18799PCX000	HOSE D, SECOND AIR	£29.74	1
17	PFKL407178	19516PC1000	BOLT, BREATHING WATER	£10.18	1
18	PFKL407190	19517KM9000	CLIP, WATER HOSE	£6.76	2
19	PFKL480893	32111PCX000	STAY, CRANK SENSOR	£0.00	1
20	PFKL481246	32115PCX000	STAY D, ENGINE HARNESS	£0.00	1
21	PFKL487876	32413S2A000	BRACKET, STARTER CABLE	£0.00	1
22	PFKL538898	36175PCXJ00	TUBE, PURGE	£7.46	1
23	PFKL538912	36177PCXJ00	PIPE, PURGE	£0.00	1
24	PFKL554480	37830RNAA01	SENSOR ASSY., MAP	£330.92	1
25	PFKL554488	37835PGKA01	O-RING	£7.91	1
26	PFKL554665	37870RTA005	SENSOR ASSY., WATER TEMP (DENSO)	£88.18	1
27	PFKL976945	90027PZX000	BOLT, FUEL PIPE	£0.00	2

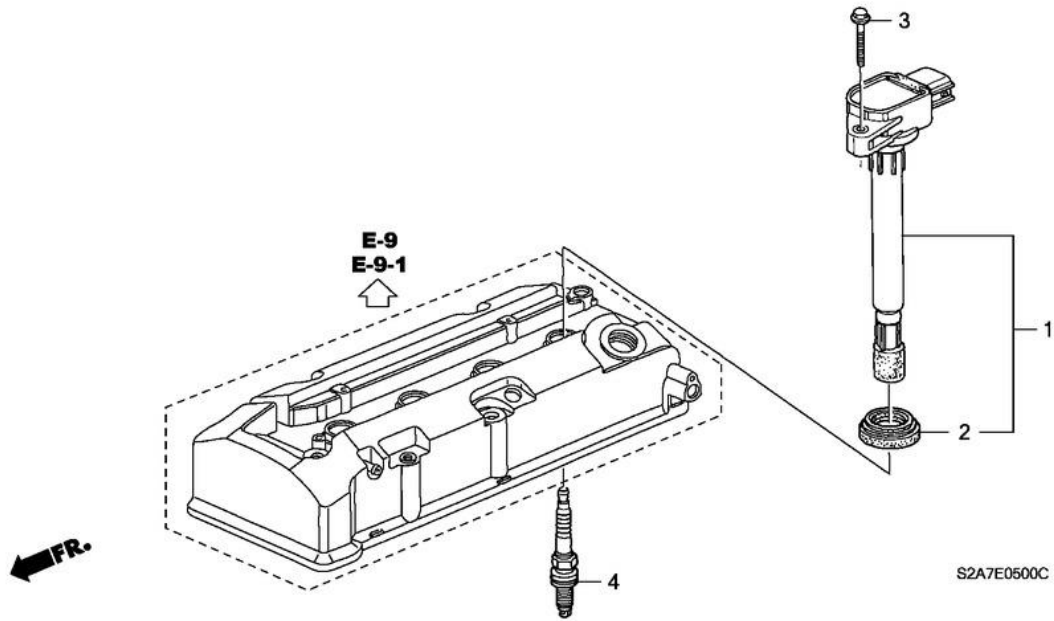
28	PFKL999600	90679679004	CLIP, CABLE	£4.93	1
29	PFKL1008860	91301PLC000	O-RING, 7.47X3.6	£4.06	4
30	PFKL1009139	91302PNA003	O-RING, 7.45X3.61 (NOK)	£2.83	4
31	PFKL1009813	91307RTA005	O-RING (DENSO)	£5.62	1
32	PFKL1011295	91406SAA000	CLAMP, TUBE (D12)	£2.58	2
33	PFKL1016857	92900080221B	BOLT, STUD, 8X22	£2.15	2
34	PFKL1016892	92900080501B	BOLT, STUD, 8X50	£2.83	2
35	PFKL1017282	934030502008	BOLT-WASHER, 5X20	£2.04	1
36	PFKL1021328	9405006080	NUT, FLANGE, 6MM	£2.23	2
37	PFKL1021341	9405008080	NUT, FLANGE, 8MM	£2.76	4
38	PFKL1024674	950053507010	TUBE, 3.5X70 (95005-35001-10M)	£3.16	1
39	PFKL1025311	950053520010S	TUBE, 3.5X120 (95005-35001-10M)	£0.00	1
40	PFKL1024847	950053510010S	TUBE, 3.5X100 (95005-35001-10M)	£0.00	1
41	PFKL1028233	957010600808	BOLT, FLANGE, 6X8	£1.92	3
42	PFKL1028254	957010601208	BOLT, FLANGE, 6X12	£1.92	1
43	PFKL1028277	957010601608	BOLT, FLANGE, 6X16	£1.92	2
44	PFKL1028484	957010802808	BOLT, FLANGE, 8X28	£2.15	8
45	PFKL1028600	957011001608	BOLT, FLANGE, 10X16	£2.15	3
46	PFKL1028618	957011002508	BOLT, FLANGE, 10X25	£2.38	1
47	PFKL1029271	958011008508	BOLT, FLANGE, 10X85	£4.14	1
48	PFKL975018	90007PCX000	BOLT-WASHER, 10X25	£0.00	1

E-4 EXHAUST MANIFOLD



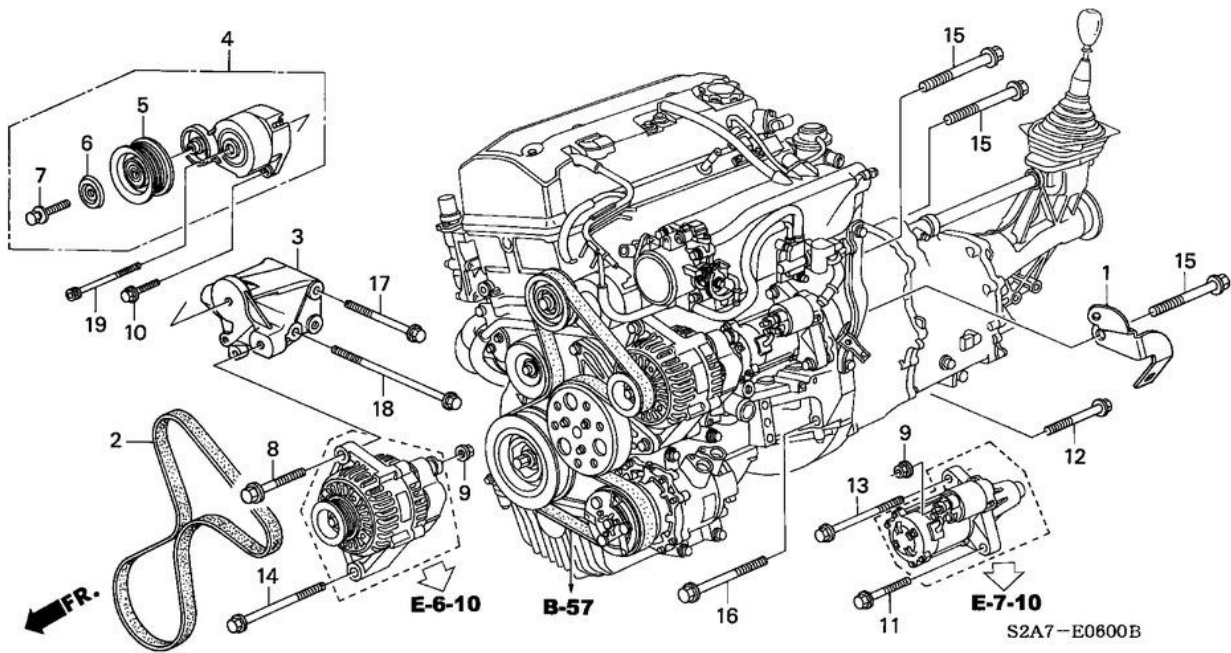
Ref	Part No	Honda Part No	Description	Price (Each)	Req Qty
1	PFKL265648	11941PCX000	STAY A, EX. MANIFOLD	£11.60	1
2	PFKL380850	18100PCX010	MANIFOLD COMP., EX.	£0.00	1
3	PFKL381125	18115PCX014	GASKET, EX. MANIFOLD (NIPPON LEAKLESS)	£32.99	1
4	PFKL381233	18120PCX010	COVER COMP. A, EX. MANIFOLD	£382.76	1
5	PFKL381448	18121PCX000	COVER COMP. B, EX. MANIFOLD	£209.30	1
6	PFKL381490	18122PCX000	COVER COMP. C, EX. MANIFOLD	£81.31	1
7	PFKL539926	36531PZX013	SENSOR, AIR FUEL RATIO	£259.13	1
8	PFKL540141	36533PCX000	STAY, OXYGEN SENSOR	£3.12	1
9	PFKL975337	90010PE2900	BOLT, SPECIAL, 10X22	£8.24	1
10	PFKL976024	90015PT0J00	BOLT-WASHER, 8X14	£3.62	8
11	PFKL976724	90023PR7A01	BOLT, FLANGE, 6X10	£8.17	4
12	PFKL983022	90115SL5A00	NUT, FLANGE, 6MM	£6.52	4
13	PFKL988788	90217657000	NUT, SPECIAL, 8MM	£3.85	7
14	PFKL993016	90451PE2000	WASHER, SPECIAL, 11X28	£8.60	2
15	PFKL1011974	91506P01003	CLIP A, HARNESS BAND (DARK GRAY) (129.4MM)	£4.93	2
16	PFKL1028447	957010801608	BOLT, FLANGE, 8X16	£2.21	1
17	PFKL1028622	957011002808	BOLT, FLANGE, 10X28	£2.26	1

E-5 PLUG HOLE COIL



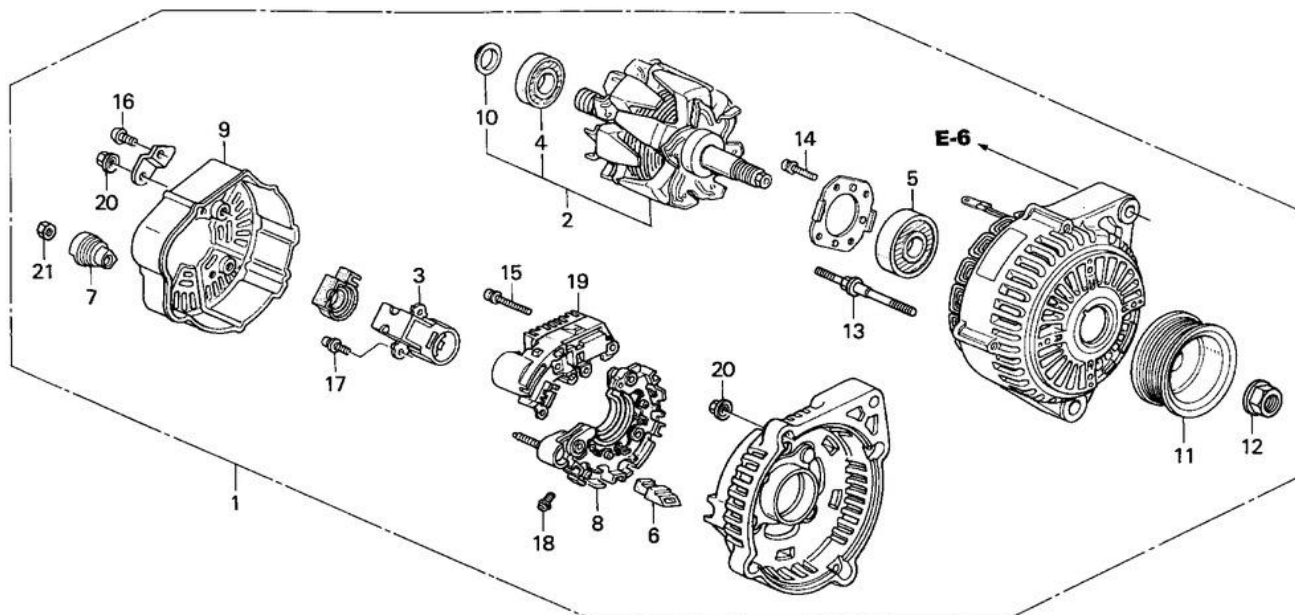
Ref	Part No	Honda Part No	Description	Price (Each)	Req Qty
1	PFKL456977	30520PZX007	COIL COMP., PLUG HOLE	£168.44	4
2	PFKL457003	30522PFB007	SEAL, PLUG HOLE	£7.81	4
3	PFKL1028316	957010602508	BOLT, FLANGE, 6X25	£2.21	4
4	PFKL1031854	98079571BH	PLUG, SPARK (PFR7G-11S) (NGK)	£32.44	4
4	PFKL1031856	98079571CH	PLUG, SPARK (PK22PR-L11S) (DENSO)	£32.44	4

E-6 AUTO TENSIONER BRACKET



Ref	Part No	Honda Part No	Description	Price (Each)	Req Qty
1	PFKL411826	21235PCY010	CLAMP, HARNESS	£8.28	1
3	PFKL464634	31160PCX000	BRACKET, AUTO TENSIONER	£100.08	1
4	PFKL464679	31170PCX003	TENSIONER ASSY., AUTO	£239.75	1
5	PFKL464757	31180PCX003	PULLEY COMP., IDLER	£100.25	1
6	PFKL464818	31185PCX003	COVER, BEARING	£8.82	1
7	PFKL974268	90002P8AA01	BOLT, SPECIAL, 10X30	£8.02	1
8	PFKL977280	90032PCX000	BOLT, SPECIAL FLANGE, 10X45	£7.85	1
9	PFKL1021366	9407008080	NUT-WASHER, 8MM	£1.92	2
10	PFKL1028484	957010802808	BOLT, FLANGE, 8X28	£2.15	1
11	PFKL1028639	957011004008	BOLT, FLANGE, 10X40	£2.38	1
12	PFKL1028652	957011006008	BOLT, FLANGE, 10X60	£2.98	2
13	PFKL1028663	957011008008	BOLT, FLANGE, 10X80	£3.35	1
14	PFKL1028672	957011009508	BOLT, FLANGE, 10X95	£4.14	1
15	PFKL1028723	957011206508	BOLT, FLANGE, 12X65	£4.14	3
16	PFKL1028727	957011208008	BOLT, FLANGE, 12X80	£3.06	3
17	PFKL1029271	958011008508	BOLT, FLANGE, 10X85	£4.14	1
18	PFKL1029290	958011014008	BOLT, FLANGE, 10X140	£5.18	1
19	PFKL1030580	967000808008	BOLT, SOCKET, 8X80	£3.71	1

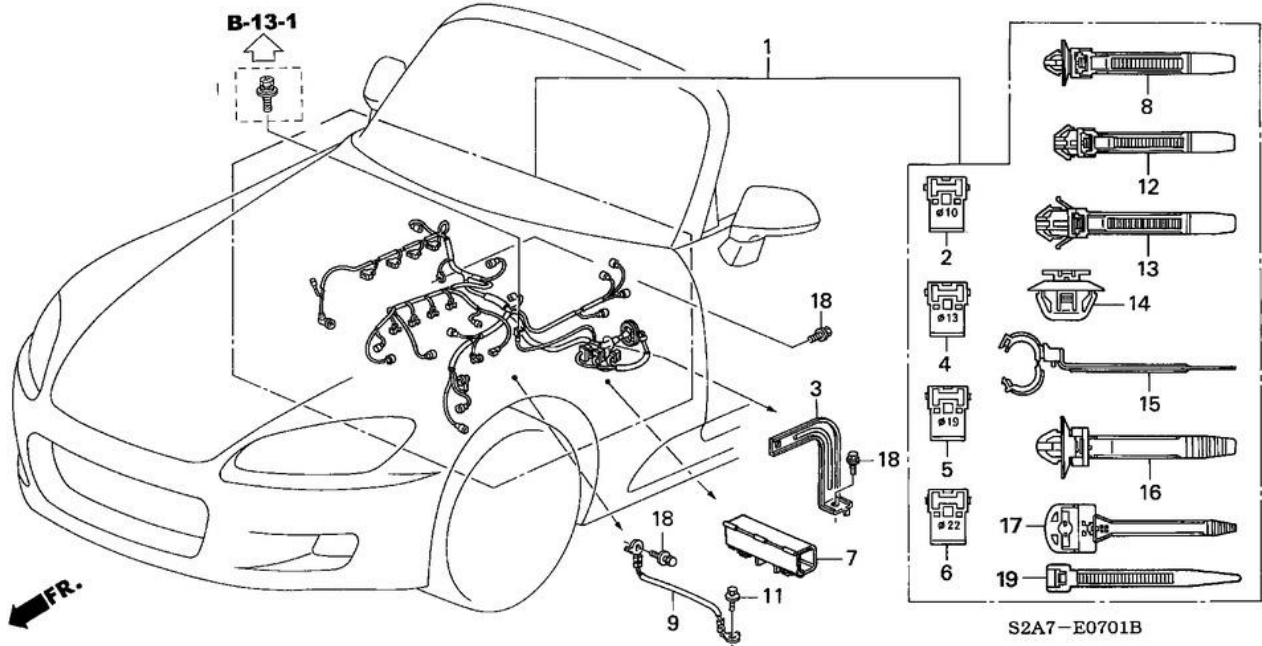
E-6-10 ALTERNATOR (DENSO)



S2A3 - E0610 A

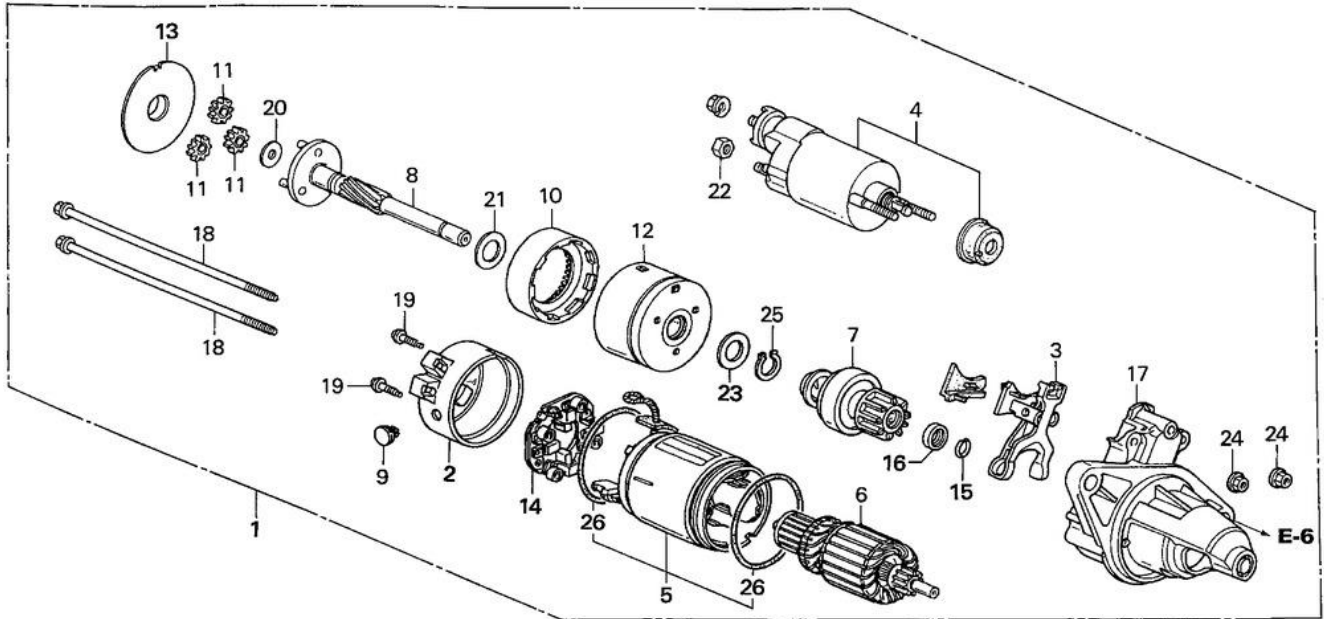
Ref	Part No	Honda Part No	Description	Price (Each)	Req Qty
1	PFKL460004	31100PZX003	ALTERNATOR ASSY. (CJY24) (DENSO)	£570.49	1
2	PFKL460786	31101P8CA01	ROTOR ASSY.	£0.00	1
3	PFKL460958	31105PR7A01	HOLDER ASSY., BRUSH	£44.99	1
4	PFKL462136	31111PT0003	BEARING, RR. GENERATOR	£34.70	1
5	PFKL462325	31114PT0013	BEARING, FR. GENERATOR	£34.94	1
6	PFKL462419	31118PT0003	BUSH, INSULATION	£5.78	4
7	PFKL462450	31119PY3003	BUSH, INSULATION	£0.00	1
8	PFKL463888	31127PCXJ01	RECTIFIER ASSY.	£0.00	1
9	PFKL464148	31135PCXJ01	COVER, RR. END	£19.32	1
10	PFKL464209	31138PD1004	COVER, BEARING	£8.35	1
11	PFKL464251	31141PCX003	PULLEY	£0.00	1
12	PFKL464376	31142PD1004	NUT, PULLEY LOCK	£4.39	1
13	PFKL464396	31145PD1004	BOLT, STUD, 6X68	£7.51	4
14	PFKL464416	31146PT0003	SCREW	£3.88	4
15	PFKL464421	31147PT0003	SCREW-WASHER	£2.94	3
16	PFKL464422	31147P13003	SCREW	£2.51	1
17	PFKL464427	31148PT0003	SCREW, WAVE WASHER	£2.95	2
18	PFKL464428	31148P13003	SCREW, WAVE WASHER	£2.51	4
19	PFKL464493	31150PZX003	REGULATOR ASSY.	£0.00	1
20	PFKL988840	90231PD1014	NUT-WASHER, 5MM	£2.70	7
21	PFKL988874	90232PR7A01	NUT, HEX., 8MM	£0.00	1

E-7-1 ENGINE WIRE HARNESS (RH)



Ref	Part No	Honda Part No	Description	Price (Each)	Req Qty
1	PFKL480159	32110PCXE04	HARNESS, ENGINE WIRE	£1,246.67	1
2	PFKL481250	32115P64003	HOLDER, CORRUGATED (DARK BLUE) (10MM)	£6.98	2
3	PFKL481273	32116PCXJ00	STAY E, ENGINE HARNESS	£0.00	1
4	PFKL481277	32116P64003	HOLDER, CORRUGATED (DARK GREEN) (13MM)	£7.46	1
5	PFKL482533	32118P72003	HOLDER, CORRUGATED (DARK GREEN) (19MM)	£9.82	1
6	PFKL482599	32119P2EA01	HOLDER, CORRUGATED (DARK BLUE) (22MM)	£6.92	3
7	PFKL483243	32128PCX000	HOLDER B, ENGINE HARNESS	£0.00	1
8	PFKL483423	32134SM4003	BAND, HARNESS OFFSET (10) (BROWN) (122.5MM)	£7.07	2
9	PFKL488732	32610S2A900	CABLE, SUB EARTH	£17.22	1
11	PFKL986282	90149SE0003	BOLT, EARTH, 6X16	£5.68	1
12	PFKL1011978	91506RTA003	CLIP A, HARNESS BAND (DARK VIOLET) (129.4MM)	£5.40	7
13	PFKL1012009	91507RTA003	CLIP B, HARNESS BAND (DARK GREEN) (129.4MM)	£5.40	1
14	PFKL1012516	91533S04003	CLIP, COUPLER (NATURAL)	£2.70	1
16	PFKL1013195	91558ST5003	CLIP, HARNESS BAND (NATURAL) (135MM) (7MM HOLE)	£3.78	6
17	PFKL1013205	91559PAAA01	CLIP, HARNESS BAND (GRAY) (150MM)	£5.29	1
18	PFKL1028254	957010601208	BOLT, FLANGE, 6X12	£1.92	3
19	PFKL1012827	91551PNA003	BAND, WIRE HARNESS (BLACK) (172MM)	£3.53	1

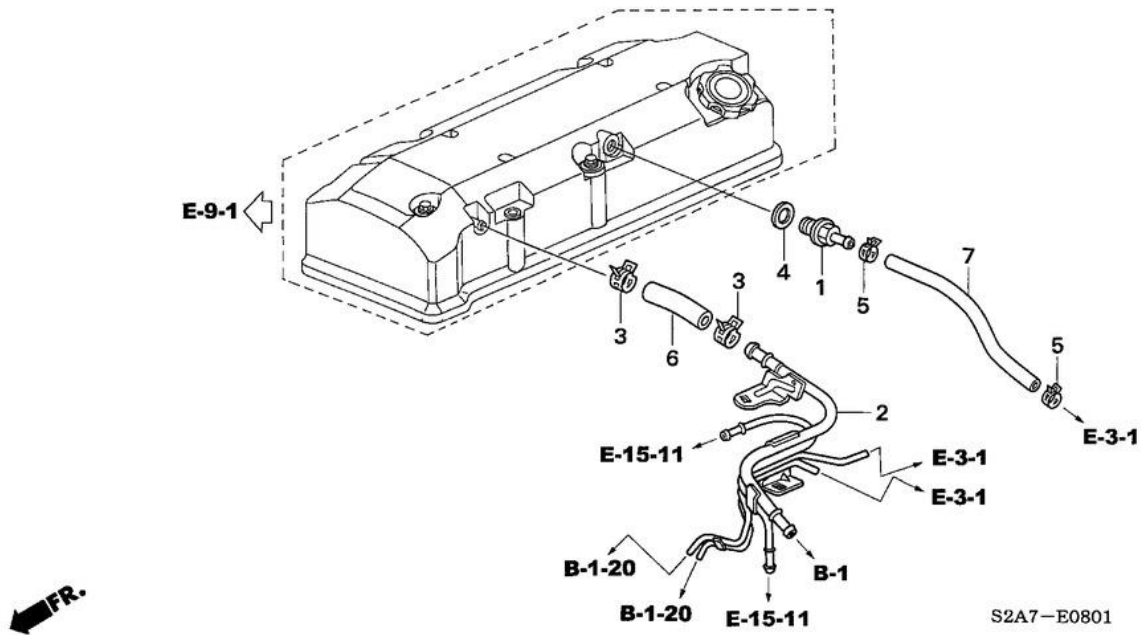
E-7-10 STARTER MOTOR (DENSO)



S2A7-E0710B

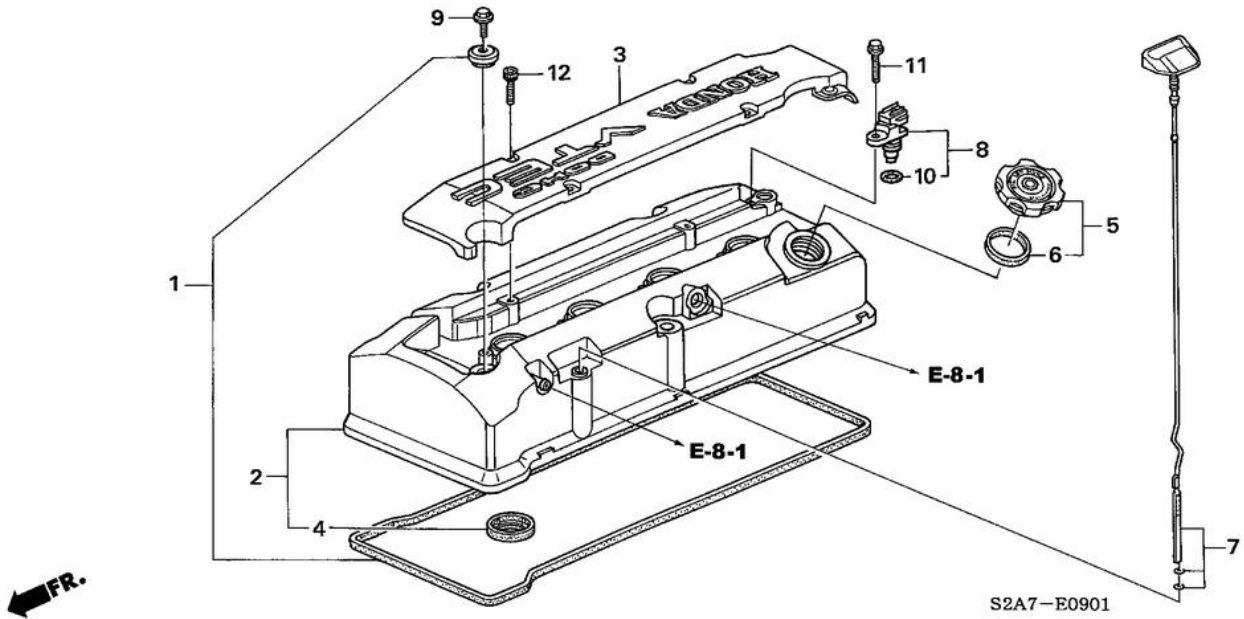
Ref	Part No	Honda Part No	Description	Price (Each)	Req Qty
1	PFKL465371	31200PCXA02	MOTOR ASSY., STARTER (DSDHP) (DENSO)	£432.29	1
2	PFKL466097	31202PCXA02	ENDFRAME COMP., COMMUTATOR	£0.00	1
3	PFKL466200	31203PCA003	LEVER, PINION DRIVE	£37.57	1
4	PFKL466273	31204PCXA01	SWITCH ASSY., MAGNETIC	£0.00	1
5	PFKL466431	31205PCXA02	YOKE SET	£156.68	1
6	PFKL466549	31206RNAA01	ARMATURE COMP.	£355.60	1
7	PFKL466584	31207PCA003	CLUTCH COMP., OVERRUNNING	£285.22	1
8	PFKL467059	31213PCA003	SHAFT, DRIVE	£167.69	1
9	PFKL467072	31213P64N01	COVER	£4.67	1
10	PFKL467098	31214P3F003	GEAR ASSY., INTERNAL	£50.83	1
11	PFKL467126	31215P3F003	GEAR COMP., PLANETARY	£32.95	3
12	PFKL467156	31216RAA003	ABSORBER COMP., SHOCK	£15.89	1
13	PFKL467188	31217P3F003	PLATE, SEAL	£8.56	1
14	PFKL467389	31231P3F003	PLATE COMP., BRUSH HOLDER	£63.70	1
15	PFKL452555	30201PH9004	RING, SNAP (DENSO)	£2.34	1
16	PFKL452595	30202RYE003	COLLAR, CLUTCH STOP	£7.51	1
17	PFKL466014	31201PCXA01	HOUSING COMP., DRIVE SIDE	£0.00	1
18	PFKL466114	31202PR4003	BOLT, THROUGH (DENSO)	£8.47	4
19	PFKL466700	31208P3F003	SCREW, PAN, 4MM	£2.40	2
20	PFKL467226	31218P3F003	WASHER A	£4.85	1
21	PFKL467237	31219P3F003	WASHER B	£4.85	1
22	PFKL467261	31220PH9004	NUT, HEX., 8MM	£4.10	1
23	PFKL467266	31220P3F003	WASHER C	£6.08	1
24	PFKL467307	31223PA0006	NUT, HEX.	£4.10	2
25	PFKL1021912	9451015000	CIRCLIP, EXTERNAL, 15MM	£1.92	1
26	PFKL467351	31228PLRA01	O-RING	£2.63	2

E-8-1 BREATHER PIPE ('06-)



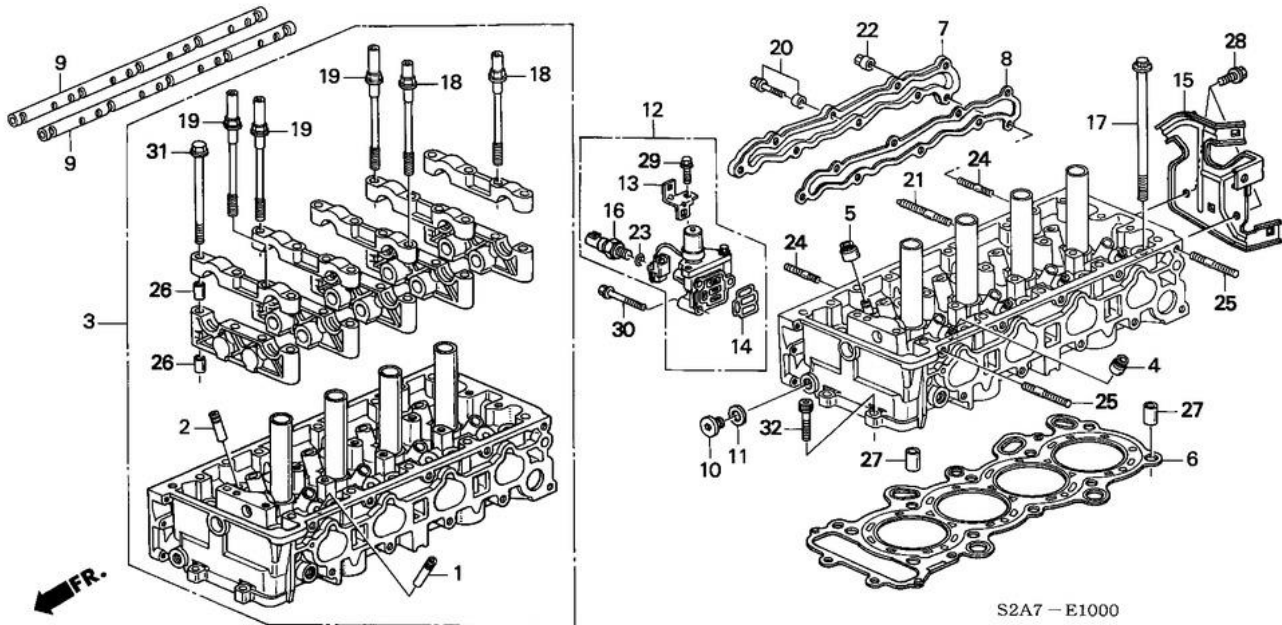
Ref	Part No	Honda Part No	Description	Price (Each)	Req Qty
1	PFKL349121	17130PCX003	VALVE ASSY., PCV	£50.98	1
2	PFKL349314	17137PCXG00	PIPE COMP., BREATHER	£83.10	1
3	PFKL1011253	91405PM5004	CLAMP, TUBE (D17)	£6.55	2
4	PFKL1021515	9410914000	WASHER, DRAIN PLUG, 14MM	£1.70	1
5	PFKL1023427	950024120004	CLAMP, TUBE (D12)	£2.11	2
6	PFKL1024394	950051206010	TUBE, 12X60 (95005-12001-10M)	£0.00	1
7	PFKL1027277	950057523010	TUBE, 7.3X230 (95005-75001-10M)	£0.00	1

E-9-1 CYLINDER HEAD COVER ('06-)



Ref	Part No	Honda Part No	Description	Price (Each)	Req Qty
1	PFKL266819	12040PCX305	PACKING SET, HEAD COVER	£36.59	1
2	PFKL273138	12310PCX020	COVER COMP., CYLINDER HEAD	£588.82	1
3	PFKL273993	12331PCX010	COVER, IGNITION COIL	£102.56	1
4	PFKL274188	12342PCX004	SEAL, SPARK PLUG TUBE (NOK)	£7.76	4
5	PFKL315447	15610P2A000	CAP ASSY., OIL FILLER	£26.86	1
6	PFKL315510	15613PC6000	PACKING, OIL FILLER	£8.56	1
7	PFKL315873	15650PCX006	GAUGE COMP., OIL LEVEL	£41.69	1
8	PFKL550672	37510PZX003	SENSOR ASSY., TDC	£150.38	1
9	PFKL975750	90013PCX000	BOLT, SPECIAL, 6X12	£4.54	5
10	PFKL1010405	91333PNA003	O-RING, 15X1.9	£3.20	1
11	PFKL1028285	957010601807	BOLT, FLANGE, 6X18	£1.92	1
12	PFKL1030414	966000601807	BOLT, SOCKET, 6X18	£2.21	4

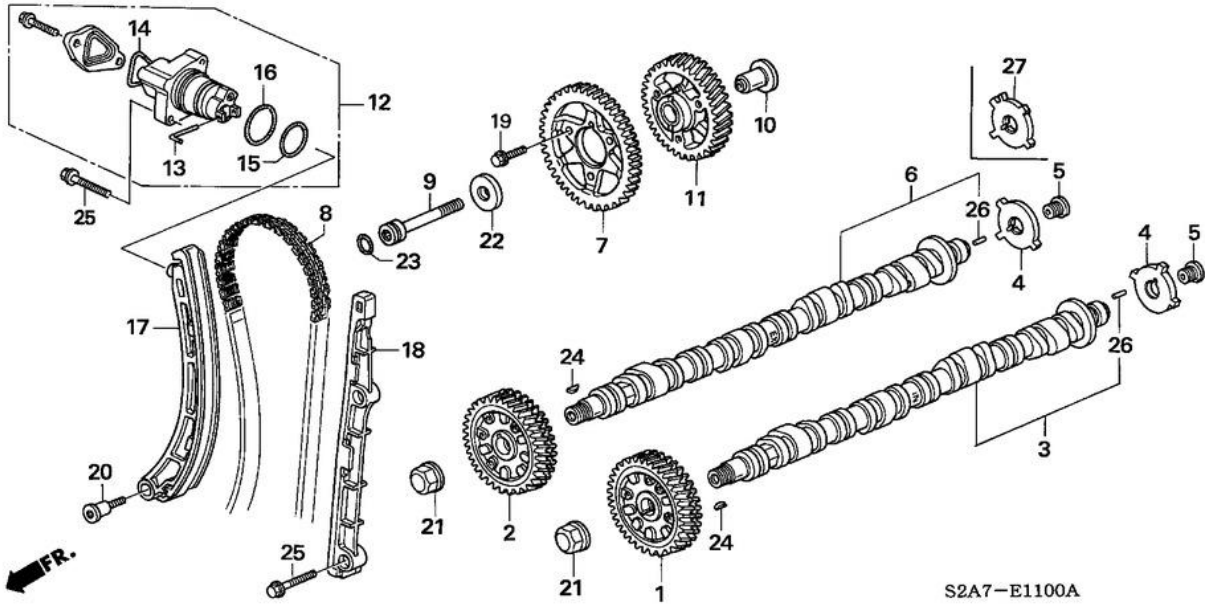
E-10 CYLINDER HEAD



Ref	Part No	Honda Part No	Description	Price (Each)	Req Qty
1	PFKL266533	12010PCX000	GUIDE, IN. VALVE (OS)	£24.25	8
2	PFKL266568	12011PCX010	GUIDE, EX. VALVE (OS)	£25.91	8
3	PFKL267225	12100PCXG01	HEAD ASSY., CYLINDER	£2,496.01	1
4	PFKL270595	12210PZ1003	SEAL A, VALVE STEM (ARAI)	£9.95	8
4	PFKL270596	12210PZ1004	SEAL A, VALVE STEM (NOK)	£9.95	8
5	PFKL270719	12211PZ1004	SEAL B, VALVE STEM (ARAI)	£9.95	8
5	PFKL270719	12211PZ1004	SEAL B, VALVE STEM (NOK)	£9.95	8
6	PFKL271918	12251PCX004	GASKET, CYLINDER HEAD (NIPPON LEAKLESS)	£94.01	1
7	PFKL275071	12811PCX004	COVER, CYLINDER HEAD SIDE	£51.85	1
8	PFKL275074	12821PCX004	GASKET, CYLINDER HEAD SIDE COVER	£14.12	1
9	PFKL308346	14631PCX000	SHAFT, VALVE ROCKER ARM	£86.95	2
10	PFKL313814	15301PE0300	BOLT, SEALING, 14MM	£7.78	1
11	PFKL313823	15302PE0300	WASHER, SEALING, 14MM	£5.50	1
12	PFKL316651	15810PCXA03	VALVE ASSY., SPOOL	£488.63	1
13	PFKL316706	15816PCX005	STAY, COUPLER HOLD	£6.19	1
14	PFKL316717	15825PCX015	FILTER ASSY., SPOOL VALVE	£27.38	1
15	PFKL482657	32120PCX000	BRACKET, ENGINE HARNESS	£10.67	1
16	PFKL549401	37250PCXA02	SWITCH ASSY., VALVE TIMING OIL PRESSURE	£116.21	1
17	PFKL974776	90005PCX003	BOLT-WASHER, 12X163	£14.39	10
18	PFKL975457	90011PCX004	BOLT A, HEAD COVER	£13.84	2
19	PFKL975629	90012PCX004	BOLT B, HEAD COVER	£13.84	3
20	PFKL975877	90014PCX000	BOLT-WASHER, 6X20	£6.58	7
21	PFKL976904	90026PT0000	BOLT, STUD, 8X38	£5.29	7
22	PFKL988392	90202PCX000	NUT, FLANGE, 6MM	£0.00	2
23	PFKL1010281	91319PAAA01	O-RING, 13X1.5	£7.51	1
24	PFKL1016812	92900060200E	BOLT, STUD, 6X20	£2.15	2

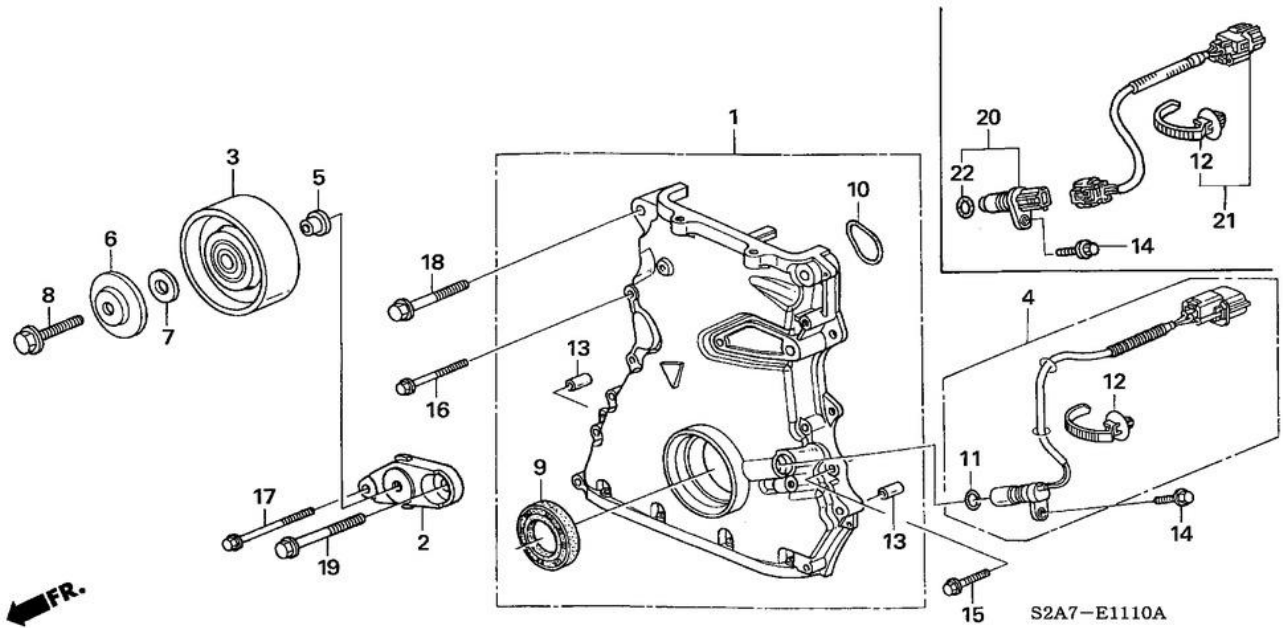
25	PFLK1016863	92900080251B	BOLT, STUD, 8X25	£2.15	2
26	PFLK1021708	9430110160	DOWEL PIN, 10X16	£3.56	20
27	PFLK1021720	9430114200	DOWEL PIN, 14X20	£2.98	2
28	PFLK1028254	957010601208	BOLT, FLANGE, 6X12	£1.92	2
29	PFLK1028286	957010601808	BOLT, FLANGE, 6X18	£1.92	1
30	PFLK1028367	957010605008	BOLT, FLANGE, 6X50	£2.15	3
31	PFLK1028569	957010809000	BOLT, FLANGE, 8X90	£3.35	15
32	PFLK1030560	967000803207	BOLT, SOCKET, 8X32	£2.38	2

E-11 CAMSHAFT/CAM CHAIN

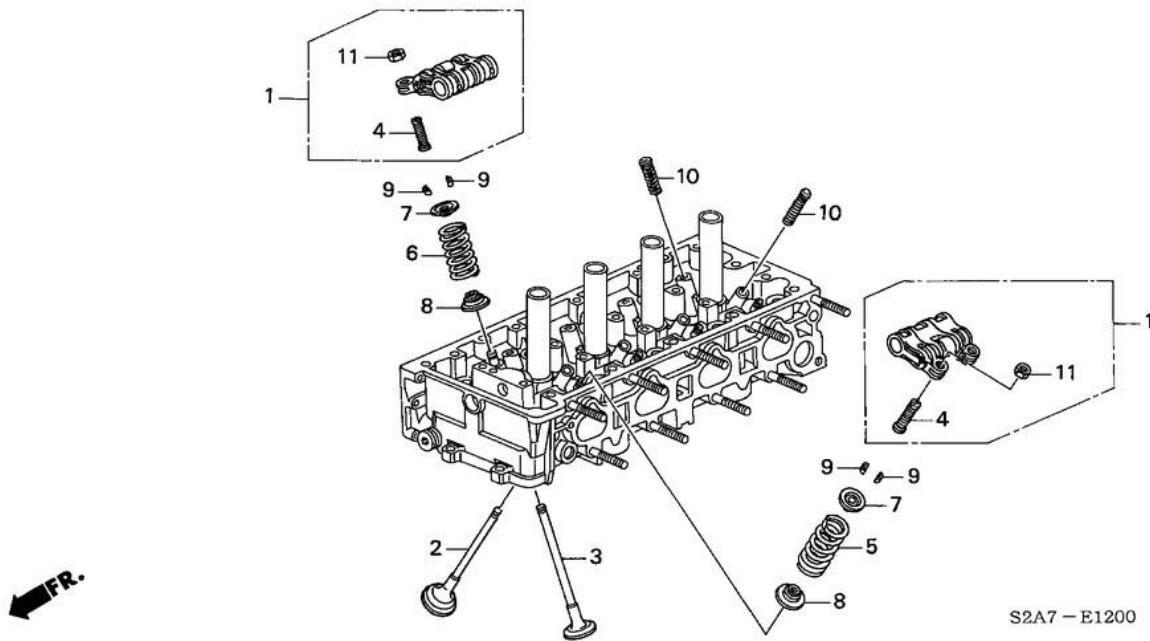


Ref	Part No	Honda Part No	Description	Price (Each)	Req Qty
1	PFKL302084	14010PCX000	GEAR ASSY., CAM IN.	£156.71	1
2	PFKL302088	14011PCX000	GEAR ASSY., EX. CAM	£289.03	1
3	PFKL303107	14110PCX000	CAMSHAFT COMP., IN.	£674.54	1
4	PFKL303569	14113PCX000	PLATE, CAM	£13.06	1
5	PFKL303577	14114PCX000	BOLT, SEALING, 14MM	£13.84	2
6	PFKL303693	14120PCXG00	CAMSHAFT COMP., EX.	£632.38	1
7	PFKL304535	14210PCX004	SPROCKET, CAM CHAIN DRIVEN	£161.23	1
8	PFKL305628	14401PCX004	CHAIN (138L)	£141.64	1
9	PFKL305902	14421PCX003	SHAFT, IDLER GEAR	£12.77	1
10	PFKL305924	14422PCX000	COLLAR, IDLE GEAR	£26.08	1
11	PFKL306023	14431PCX010	GEAR COMP., CAM IDLER	£200.08	1
12	PFKL306811	14510PCX005	TENSIONER COMP., CAM CHAIN	£344.96	1
13	PFKL306919	14511PCX005	SET PIN	£6.40	0
14	PFKL306931	14512PCX005	O-RING A	£5.24	1
15	PFKL306938	14513PCX005	O-RING B	£5.24	1
16	PFKL306963	14514PCX005	O-RING C	£6.30	1
17	PFKL307258	14520PCX003	ARM COMP., CAM CHAIN TENSIONER	£167.71	1
18	PFKL307381	14530PCX004	GUIDE, CAM CHAIN	£128.18	1
19	PFKL973988	90001PZ1000	BOLT, FLANGE, 6X16	£3.85	3
20	PFKL974424	90003PCX000	BOLT, TENSIONER PIVOT	£16.15	1
21	PFKL988234	90201PCX000	NUT, FLANGE, 18MM	£10.18	2
22	PFKL991171	90401PCX000	WASHER, 13.6X34X4	£7.43	1
23	PFKL1008836	91301PCX003	O-RING, 16.3X1.5	£5.06	1
24	PFKL1021897	9440113120	KEY, WOODRUFF, 13X12	£7.69	2
25	PFKL1028316	957010602508	BOLT, FLANGE, 6X25	£2.21	4
26	PFKL1030035	9622020080	ROLLER, 2X8	£0.65	2
27	PFKL303561	14112PCX003	PLATE, TDC PULSE	£27.17	1

E-11-10 CHAIN CASE

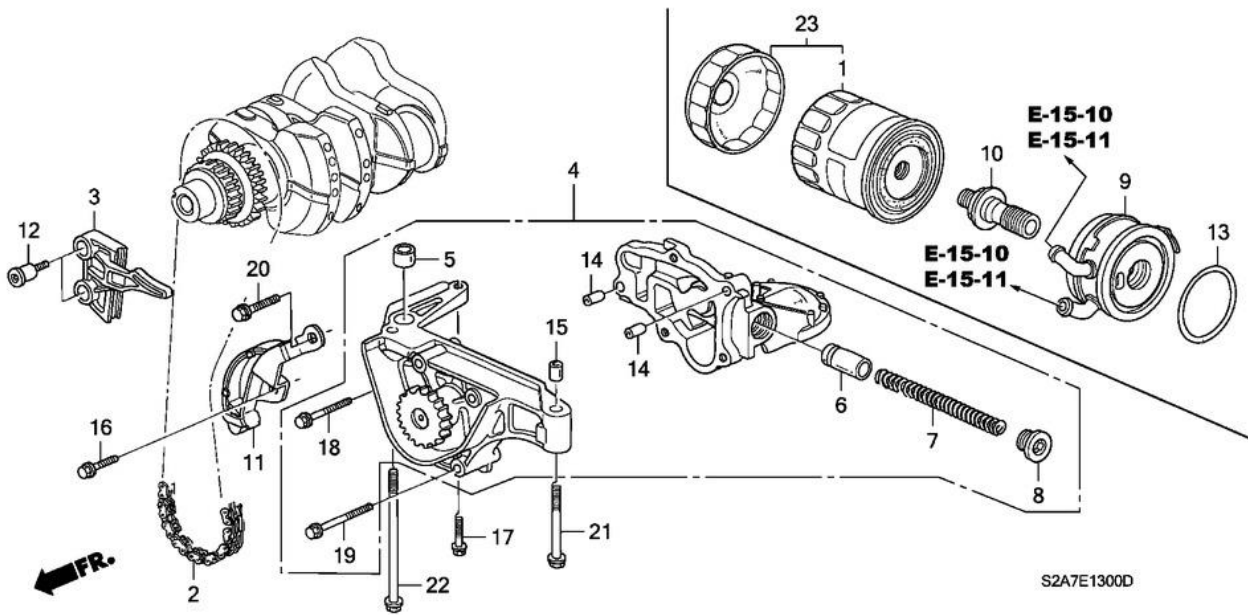


Ref	Part No	Honda Part No	Description	Price (Each)	Req Qty
1	PFKL264136	11410PCX010	CASE ASSY., CHAIN	£295.22	1
2	PFKL464748	31175PCX000	BRACKET, IDLE PULLEY	£17.33	1
3	PFKL464881	31190PCX000	PULLEY COMP., IDLE	£67.03	1
5	PFKL565649	38944P02000	COLLAR, IDLE PULLEY	£8.06	1
6	PFKL565662	38945PM3000	COVER, BEARING	£6.68	1
7	PFKL976226	90017PE0000	WASHER, 10MM	£3.88	1
8	PFKL977112	90031PCX000	BOLT, SPECIAL FLANGE, 10X36	£7.15	1
9	PFKL1007173	91212PCX003	OIL SEAL, 43X58X8	£27.71	1
10	PFKL1009861	91308PCX004	O-RING, CHAIN CASE	£8.76	1
12	PFKL1012834	91551SF4003	BAND, WIRE HARNESS (BROWN) (110MM)	£8.71	2
13	PFKL1021698	9430108100	DOWEL PIN, 8X10	£2.41	2
14	PFKL1028286	957010601808	BOLT, FLANGE, 6X18	£1.92	1
15	PFKL1028296	957010602008	BOLT, FLANGE, 6X20	£1.92	1
16	PFKL1028345	957010603508	BOLT, FLANGE, 6X35	£2.21	8
17	PFKL1028367	957010605008	BOLT, FLANGE, 6X50	£2.15	1
18	PFKL1028644	957011004508	BOLT, FLANGE, 10X45	£2.41	2
19	PFKL1029251	958011005008	BOLT, FLANGE, 10X50	£2.41	1
20	PFKL550598	37500PZX003	SENSOR ASSY., CRANK	£150.38	1
21	PFKL550637	37501PCX000	SUB HARNESS, CRANK SENSOR	£30.22	1
22	PFKL1010405	91333PNA003	O-RING, 15X1.9	£3.20	1



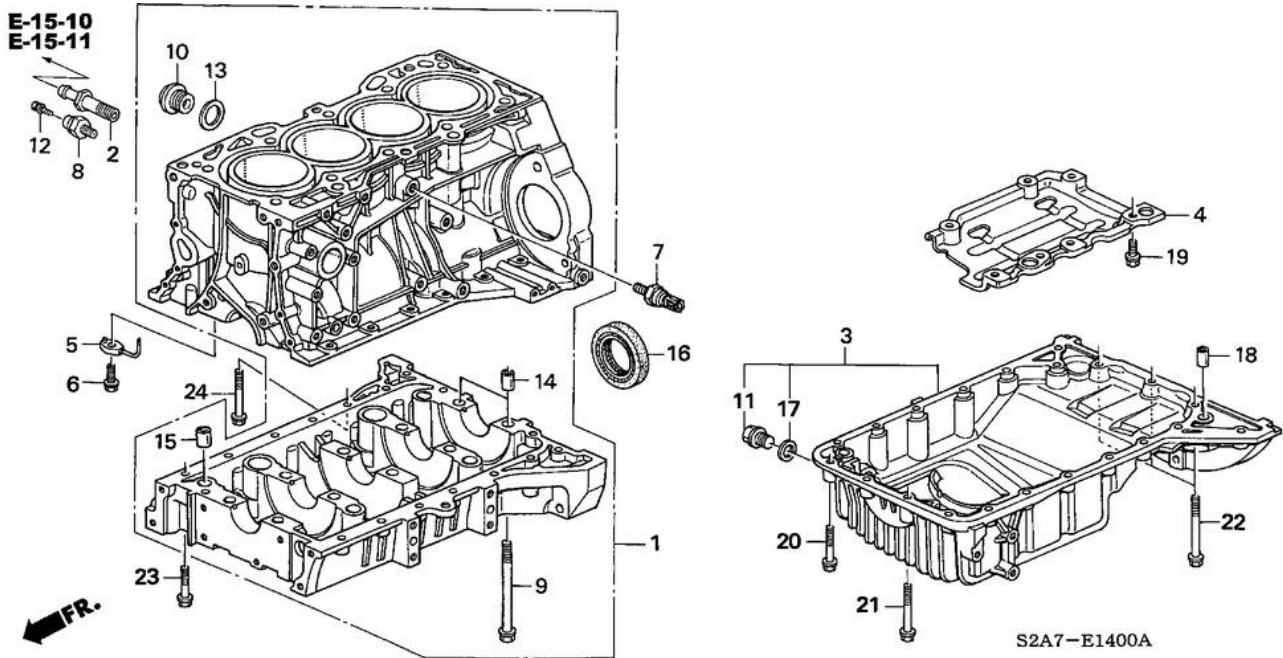
Ref	Part No	Honda Part No	Description	Price (Each)	Req Qty
1	PFKL308067	14620PCX010	ARM ASSY., ROCKER	£656.04	8
2	PFKL308791	14711PCX000	VALVE, IN. (YELLOW) (NIPPON HATSUJO)	£47.76	8
3	PFKL309229	14721PCX000	VALVE, EX. (BLUE) (NIPPON HATSUJO)	£75.90	8
4	PFKL309620	14744PCX014	SCREW, TAPPET ADJUSTING	£8.78	16
5	PFKL310211	14761PCX003	SPRING, IN. VALVE (YELLOW) (NHK SPRING)	£13.34	8
6	PFKL310435	14762PCX003	SPRING, EX. VALVE (BLUE) (NIPPON HATSUJO)	£12.50	8
7	PFKL310542	14765PRBA01	RETAINER, VALVE SPRING	£7.91	16
8	PFKL310760	14775PCX000	SEAT, VALVE SPRING	£7.91	16
9	PFKL310898	14781PCX004	COTTER, VALVE	£6.79	32
10	PFKL311045	14820PCX003	MOTION COMP., LOST	£23.23	8
11	PFKL988575	90206PT0004	NUT, TAPPET ADJUSTING	£2.74	16

E-13 OIL PUMP/OIL STRAINER



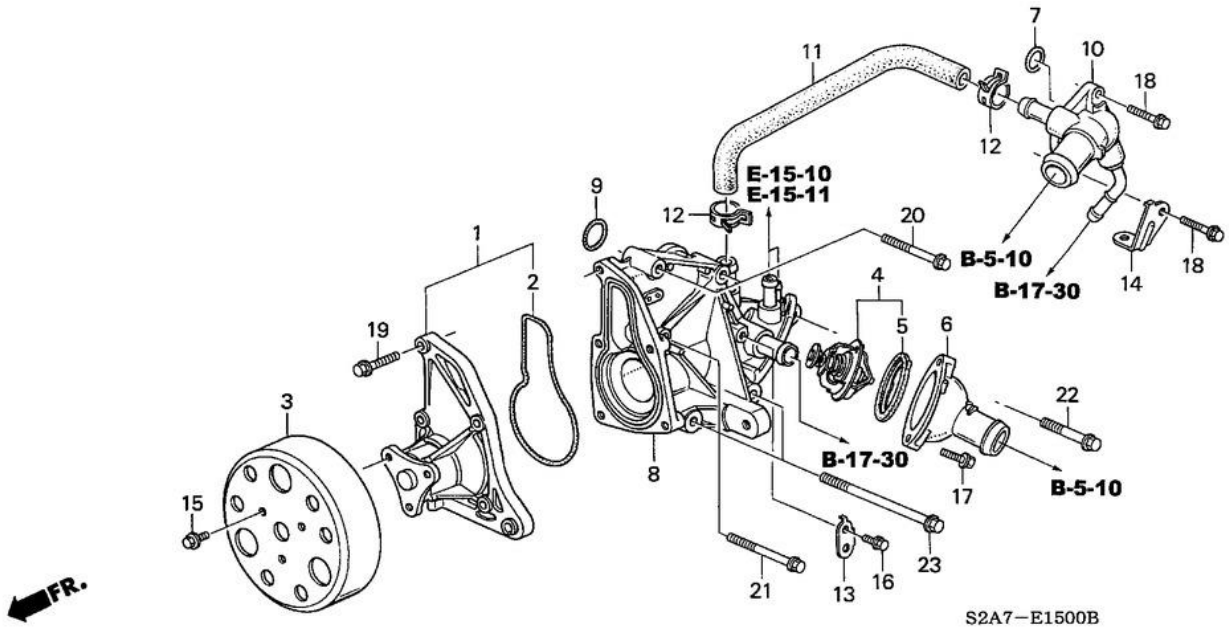
Ref	Part No	Honda Part No	Description	Price (Each)	Req Qty
1	PFKL314041	15400PCX004	CARTRIDGE, OIL FILTER (TOYO ROKI)	£16.15	1
2	PFKL299370	13441PCX004	CHAIN (64L)	£73.50	1
3	PFKL299527	13460PCX003	GUIDE, OIL PUMP CHAIN	£17.83	1
4	PFKL312110	15100PCX023	PUMP ASSY., OIL	£442.72	1
5	PFKL312725	15123PCX003	DOWEL PIN, 18X13	£6.07	1
6	PFKL313635	15231PR7A00	VALVE, RELIEF	£33.52	1
7	PFKL313667	15232PR7A00	SPRING, RELIEF VALVE	£11.96	1
8	PFKL313691	15233PR7A00	BOLT, SEALING, 20MM	£10.79	1
9	PFKL314572	15500PCX004	COOLER, ENGINE OIL	£464.15	1
10	PFKL315191	15560PCX004	BOLT, OIL COOLER CENTER	£36.88	1
11	PFKL316765	15910PCX004	TENSIONER COMP., OIL PUMP CHAIN	£145.00	1
12	PFKL974616	90004PCX000	BOLT, CHAIN GUIDE	£9.73	2
13	PFKL1010217	91316PE7730	O-RING, 62.4X3.1	£5.80	1
14	PFKL1021698	9430108100	DOWEL PIN, 8X10	£2.41	2
15	PFKL1021706	9430110120	DOWEL PIN, 10X12	£2.98	1
16	PFKL1028277	957010601608	BOLT, FLANGE, 6X16	£1.92	1
17	PFKL1028316	957010602508	BOLT, FLANGE, 6X25	£2.21	1
18	PFKL1028331	957010603008	BOLT, FLANGE, 6X30	£2.15	1
19	PFKL1028361	957010604508	BOLT, FLANGE, 6X45	£2.15	4
20	PFKL1028463	957010802008	BOLT, FLANGE, 8X20	£1.92	1
21	PFKL1028557	957010807508	BOLT, FLANGE, 8X75	£2.41	1
22	PFKL1028592	957010814008	BOLT, FLANGE, 8X140	£4.06	1
23	PFKL314041	15400PCX004	FILTER SET, OIL	£16.15	0

E-14 CYLINDER BLOCK/OIL PAN



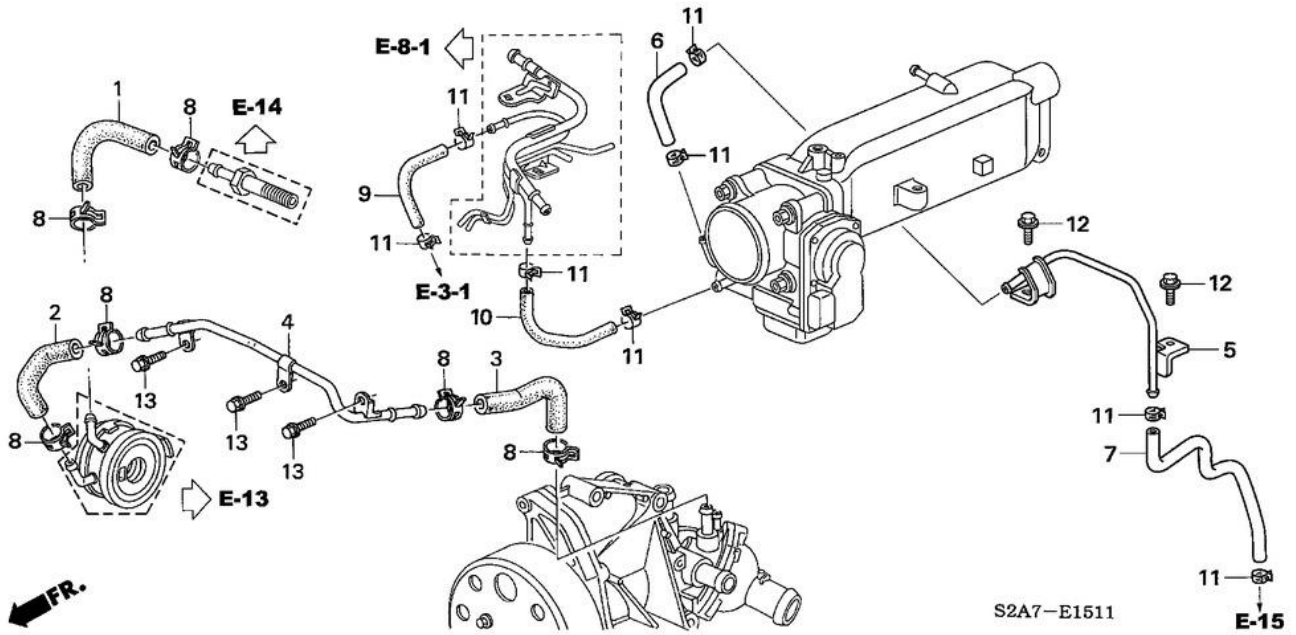
Ref	Part No	Honda Part No	Description	Price (Each)	Req Qty
1	PFKL256449	11000PCX010	BLOCK ASSY., CYLINDER	£0.00	1
2	PFKL257558	11107PT2000	JOINT, OIL COOLER	£11.45	1
3	PFKL258693	11200PCX000	PAN COMP., OIL	£352.42	1
4	PFKL259375	11221PCX000	PLATE, BAFFLE	£49.39	1
5	PFKL313767	15280PCX010	BODY COMP., OIL JET	£24.00	4
6	PFKL313790	15290PCX000	BOLT COMP., OIL JET	£38.70	4
7	PFKL457043	30530PRC003	SENSOR ASSY., KNOCK	£146.62	1
8	PFKL548622	37240P13013	SWITCH, OIL PRESSURE	£58.39	1
9	PFKL973942	90001PCX003	BOLT-WASHER, 10X105	£12.18	10
10	PFKL973969	90001PM3003	BOLT, DRAIN PLUG, 28MM	£13.00	1
11	PFKL975240	90009PY3000	BOLT, DRAIN PLUG, 14MM	£7.96	1
12	PFKL977533	90037PCX003	BOLT-WASHER, 4X8	£4.54	1
13	PFKL991190	90401PR4000	WASHER, SEALING, 28MM	£2.44	1
14	PFKL1000286	90702PE0000	DOWEL PIN, 12X18	£3.96	10
15	PFKL1000358	90703PE0000	DOWEL PIN, 18X22	£7.66	1
16	PFKL1007324	91214PCX003	OIL SEAL, 80X98X10 (NOK)	£34.54	1
17	PFKL1021515	9410914000	WASHER, DRAIN PLUG, 14MM	£1.70	1
18	PFKL1021716	9430112200	DOWEL PIN, 12X20	£2.98	2
19	PFKL1028265	957010601408	BOLT, FLANGE, 6X14	£1.92	7
20	PFKL1028345	957010603508	BOLT, FLANGE, 6X35	£2.21	17
21	PFKL1028367	957010605008	BOLT, FLANGE, 6X50	£2.15	1
22	PFKL1028383	957010606508	BOLT, FLANGE, 6X65	£2.44	3
23	PFKL1028514	957010804008	BOLT, FLANGE, 8X40	£2.15	15
24	PFKL1028535	957010805508	BOLT, FLANGE, 8X55	£2.38	1

E-15 WATER PUMP



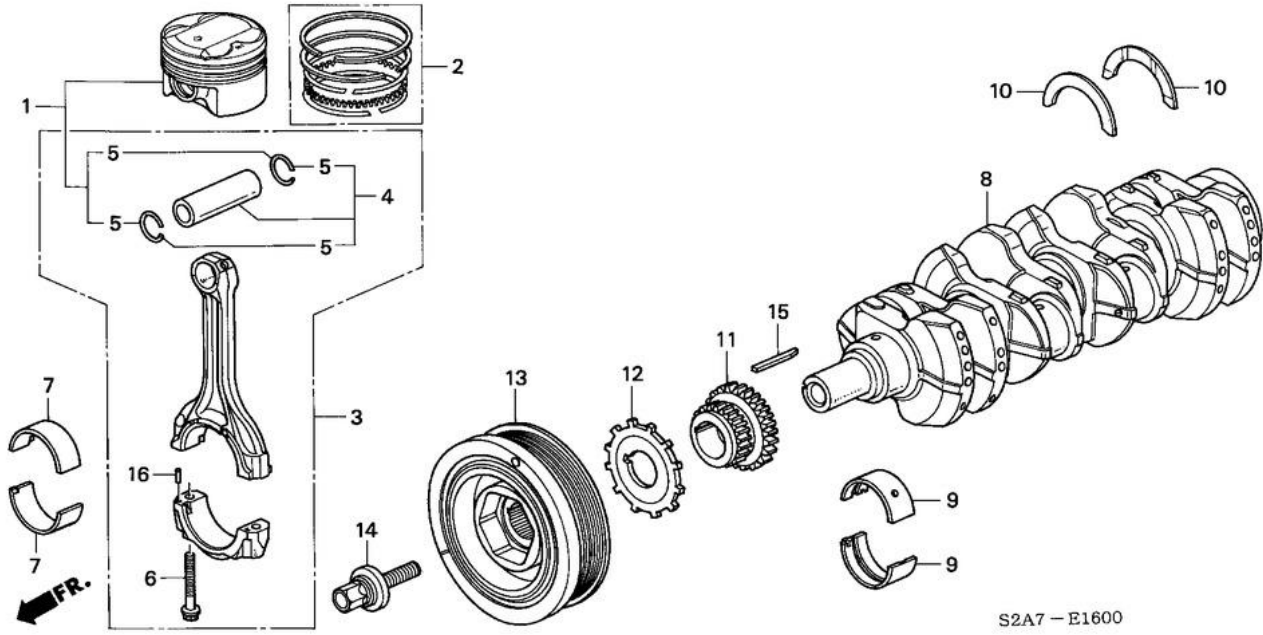
Ref	Part No	Honda Part No	Description	Price (Each)	Req Qty
1	PFKL402999	19210PCX003	PUMP SET, WATER	£197.39	1
2	PFKL403398	19222PCX003	GASKET, WATER PUMP	£7.07	1
3	PFKL403471	19224PCX000	PULLEY, WATER PUMP	£47.15	1
4	PFKL404263	19301P8EA10	THERMOSTAT ASSY. (NIPPON THERMOSTAT)	£57.04	1
5	PFKL404295	19305PR7A00	RUBBER, THERMOSTAT MOUNTING	£8.20	1
6	PFKL404420	19311PCX000	COVER, THERMOSTAT	£34.09	1
7	PFKL404500	19313PCX003	O-RING, WATER OUTLET COVER	£6.70	1
8	PFKL404707	19320PCX000	CASE COMP., THERMOSTAT	£237.18	1
9	PFKL404788	19322PCX003	O-RING, 43.8X3.1	£6.70	1
10	PFKL404927	19360PCX000	COVER COMP., WATER	£31.08	1
11	PFKL406024	19504PCX000	HOSE, BYPASS IN.	£14.96	1
12	PFKL407021	19513PE0003	CLAMP, WATER HOSE (21.7MM) (CHUO SPRING)	£5.47	2
13	PFKL483085	32123POGA00	STAY, TDC-SENSOR WIRE HARNESS	£3.12	1
14	PFKL490054	32751POGA00	STAY C, ENGINE HARNESS	£6.77	1
15	PFKL975750	90013PCX000	BOLT, SPECIAL, 6X12	£4.54	3
16	PFKL1028254	957010601208	BOLT, FLANGE, 6X12	£1.92	1
17	PFKL1028296	957010602008	BOLT, FLANGE, 6X20	£1.92	2
18	PFKL1028316	957010602508	BOLT, FLANGE, 6X25	£2.21	2
19	PFKL1028491	957010803008	BOLT, FLANGE, 8X30	£2.15	5
20	PFKL1028529	957010805008	BOLT, FLANGE, 8X50	£2.38	2
21	PFKL1028541	957010806008	BOLT, FLANGE, 8X60	£2.38	1
22	PFKL1028644	957011004508	BOLT, FLANGE, 10X45	£2.41	1
23	PFKL1029277	958011010008	BOLT, FLANGE, 10X100	£3.73	2

E-15-11 WATER HOSE ('06-)



Ref	Part No	Honda Part No	Description	Price (Each)	Req Qty
1	PFKL405118	19422PCX000	HOSE, OIL COOLER IN.	£9.20	1
2	PFKL405143	19423PCX000	HOSE A, OIL COOLER OUTLET	£9.20	1
3	PFKL405159	19424PCX000	HOSE B, OIL COOLER OUTLET	£9.20	1
4	PFKL405175	19426PCX000	PIPE COMP., OIL COOLER	£55.99	1
5	PFKL406224	19505PZX000	PIPE COMP., CONNECTING	£0.00	1
6	PFKL406461	19507PZX000	HOSE, THROTTLE BODY OUTLET	£6.97	1
7	PFKL406579	19508PZX000	HOSE, OUTLET	£10.46	1
8	PFKL406980	19512PK2003	CLIP, HOSE, 18.7MM	£5.83	6
9	PFKL407070	19514PZX000	HOSE A, BREATHER HEATER	£5.65	1
10	PFKL407124	19515PZX000	HOSE B, BREATHER HEATER	£5.65	1
11	PFKL1023430	950024125004	CLAMP, TUBE (D12.5)	£2.11	8
12	PFKL1028254	957010601208	BOLT, FLANGE, 6X12	£1.92	2
13	PFKL1028265	957010601408	BOLT, FLANGE, 6X14	£1.92	3

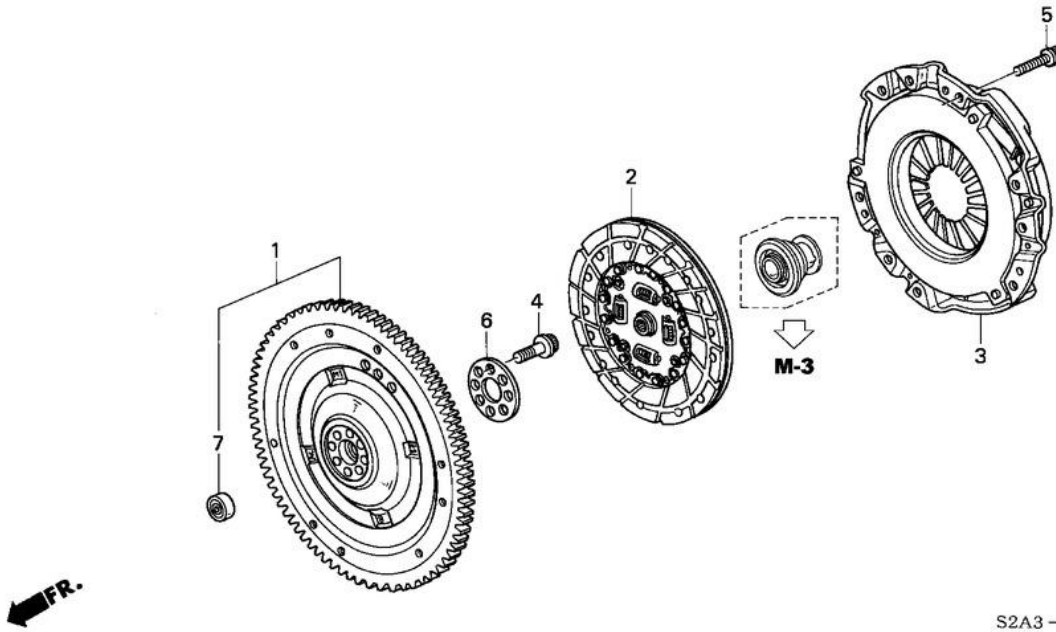
E-16 PISTON/CRANKSHAFT



Ref	Part No	Honda Part No	Description	Price (Each)	Req Qty
1	PFKL284323	13010PCXA04	PISTON SET A (STD.)	£0.00	4
1	PFKL286088	13020PCXA04	PISTON SET B (STD.)	£561.41	4
1	PFKL286977	13030PCXA03	PISTON SET (OS 0.25)	£561.41	0
2	PFKL284944	13011PCX024	RING SET, PISTON (STD.) (RIKEN)	£93.53	4
2	PFKL286375	13021PCX024	RING SET, PISTON (OS 0.25) (RIKEN)	£95.51	0
3	PFKL287923	13050PCXA00	ROD SET, CONNECTING	£289.06	4
4	PFKL288177	13060PCX000	PISTON PIN SET	£16.70	4
5	PFKL292246	13115PCX000	CLIP, PISTON PIN, 1.6MM	£4.16	8
6	PFKL293408	13204PCX003	BOLT, CONNECTING ROD	£8.39	8
7	PFKL294762	13217PCX013	BEARING G, CONNECTING ROD (RED) (DAIDO)	£31.55	8
7	PFKL294606	13216PCX013	BEARING F, CONNECTING ROD (PINK) (DAIDO)	£31.55	8
7	PFKL294429	13215PCX013	BEARING E, CONNECTING ROD (YELLOW) (DAIDO)	£33.67	8
7	PFKL294260	13214PCX013	BEARING D, CONNECTING ROD (GREEN) (DAIDO)	£31.55	8
7	PFKL294101	13213PCX013	BEARING C, CONNECTING ROD (BROWN) (DAIDO)	£31.55	8
7	PFKL293946	13212PCX013	BEARING B, CONNECTING ROD (BLACK) (DAIDO)	£31.54	8
7	PFKL293798	13211PCX013	BEARING A, CONNECTING ROD (BLUE) (DAIDO)	£31.54	8
8	PFKL2153664	13310PCX020	CRANKSHAFT COMP.	£1,664.09	1
9	PFKL297761	13326PCX013	BEARING F, MAIN (PINK) (DAIDO)	£33.08	10
9	PFKL297640	13325PCX013	BEARING E, MAIN (YELLOW) (DAIDO)	£33.07	10
9	PFKL297509	13324PCX013	BEARING D, MAIN (GREEN) (DAIDO)	£33.07	10
9	PFKL297388	13323PCX013	BEARING C, MAIN (BROWN) (DAIDO)	£33.07	10
9	PFKL297273	13322PCX013	BEARING B, MAIN (BLACK) (DAIDO)	£33.07	10
9	PFKL297094	13321PCX013	BEARING A, MAIN (BLUE) (DAIDO)	£33.08	10
10	PFKL297929	13331PCX003	WASHER, THRUST (DAIDO)	£18.32	2
11	PFKL299795	13620PCX004	SPROCKET, DRIVE CHAIN	£113.05	1
12	PFKL299876	13622PCX013	PLATE, CRANK PULSER	£14.82	1

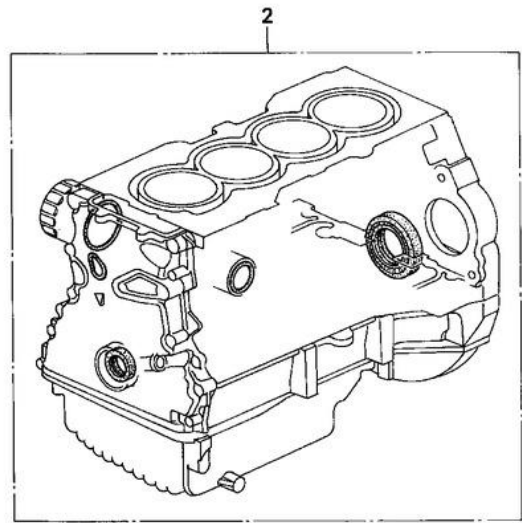
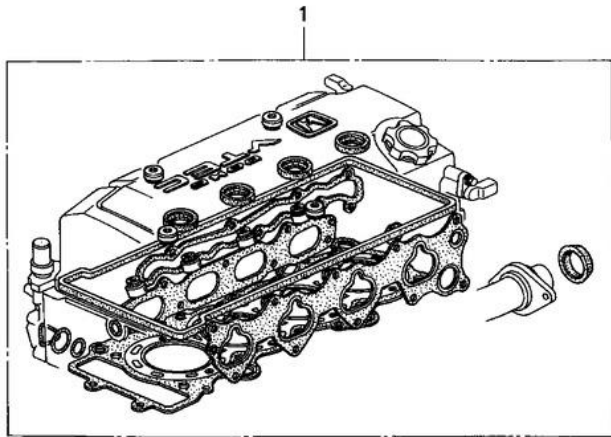
13	PFKL300760	13810PCX003	PULLEY COMP., CRANKSHAFT	£252.24	1
14	PFKL976224	90017PCX013	BOLT-WASHER, 16X49	£18.59	1
15	PFKL1000394	90704PT0000	KEY, 4.5X38.5	£9.82	1
16	PFKL1021741	9430304065	PIN C, DOWEL, 4X6.5	£2.44	8

E-18 CLUTCH



S2A3 - E1800 A

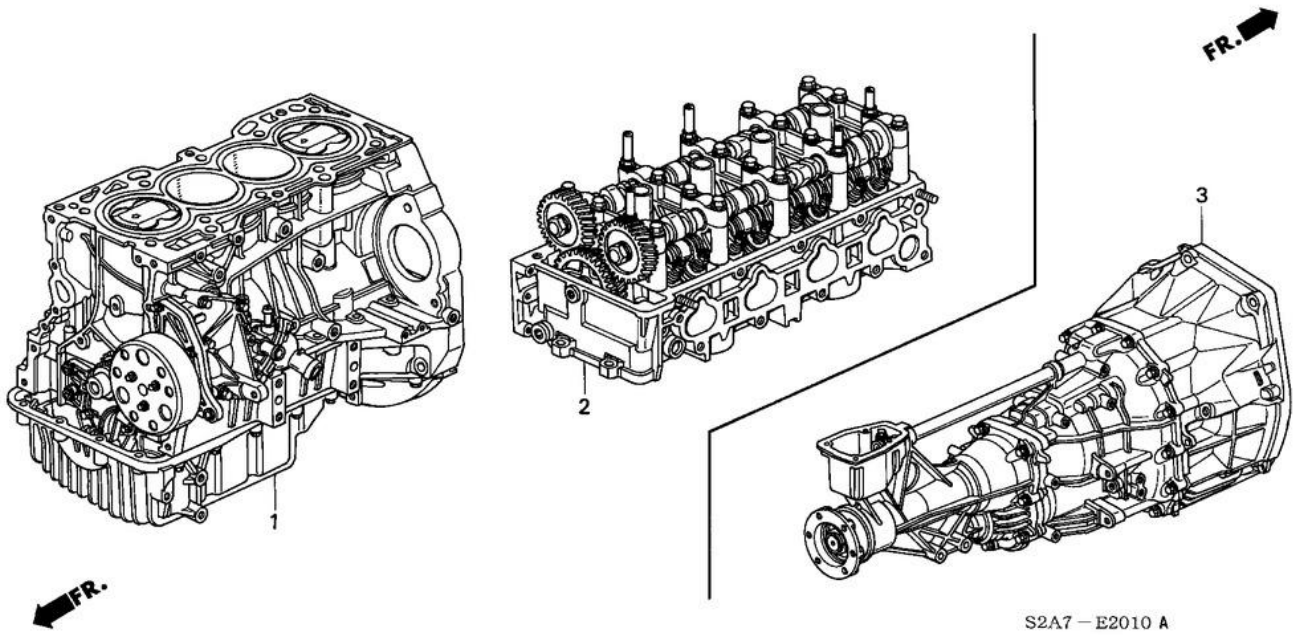
Ref	Part No	Honda Part No	Description	Price (Each)	Req Qty
1	PFKL413880	22100PCX005	FLYWHEEL COMP.	£817.40	1
2	PFKL415578	22200PCX055	DISK COMP., FRICTION	£128.82	1
3	PFKL416237	22300PCX015	DISK COMP., PRESSURE	£331.72	1
4	PFKL975456	90011PCXB01	BOLT (12MM)	£9.73	8
5	PFKL977445	90034689000	BOLT, TWELVE POINT, 8MM (TOKAI TRW)	£8.71	9
6	PFKL992241	90429PCX000	WASHER, 38X88X2	£12.40	1
7	PFKL1002767	91006PCX008	BEARING, CLUTCH PILOT	£28.03	1



S2A7 - E2000

Ref	Part No	Honda Part No	Description	Price (Each)	Req Qty
1	PFKL224431	06110PCX020	GASKET KIT, CYLINDER HEAD	£339.67	1
2	PFKL225691	06111PCX020	GASKET KIT, CYLINDER BLOCK	£59.51	1

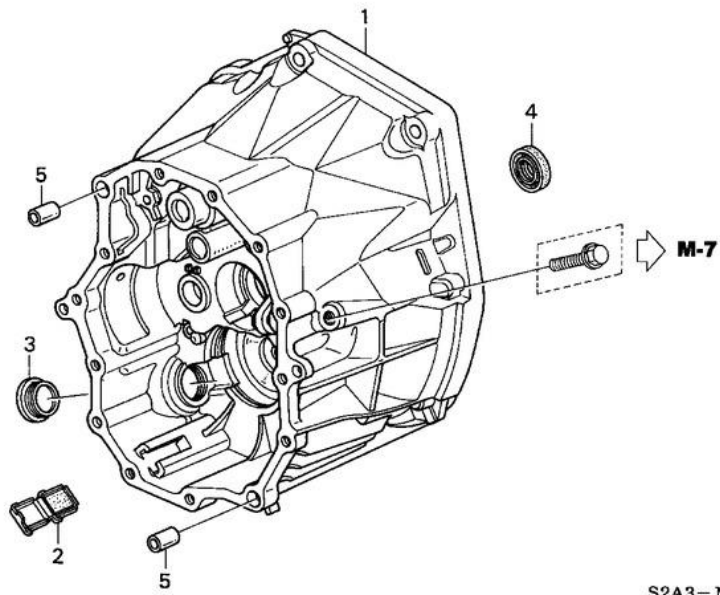
E-20-10 ENGINE ASSY./ TRANSMISSION ASSY.



Ref	Part No	Honda Part No	Description	Price (Each)	Req Qty
1	PFKL2158011	10002PCXE10	ENGINE ASSY., BLOCK (WITHOUT WATER PUMP)	£6,365.00	1
2	PFKL254902	10003PCXE05	GENERAL ASSY., CYLINDER HEAD	£6,477.06	1
3	PFKL409694	20011PCY040	TRANSMISSION ASSY. (6-SPEED)	£7,157.21	1

M-1 CLUTCH CASE

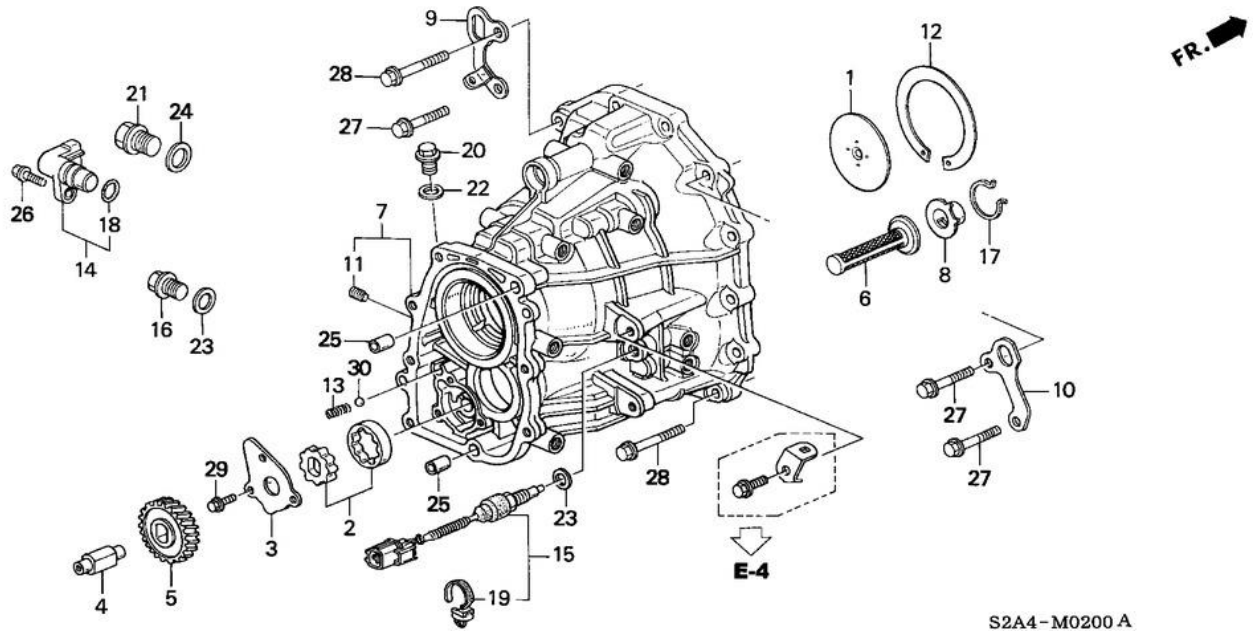
FR. →



S2A3-M0100A

Ref	Part No	Honda Part No	Description	Price (Each)	Req Qty
1	PFKL410461	21000PCY315	CASE COMP., CLUTCH	£696.19	1
2	PFKL411091	21120PG2003	MAGNET, TRANSMISSION	£12.98	1
3	PFKL978627	90083PJ3000	BOLT, SEALING, 34MM	£12.01	1
4	PFKL1007412	91216PG1005	OIL SEAL, 28X43X7 (NOK)	£10.79	1
5	PFKL1021720	9430114200	DOWEL PIN, 14X20	£2.98	2

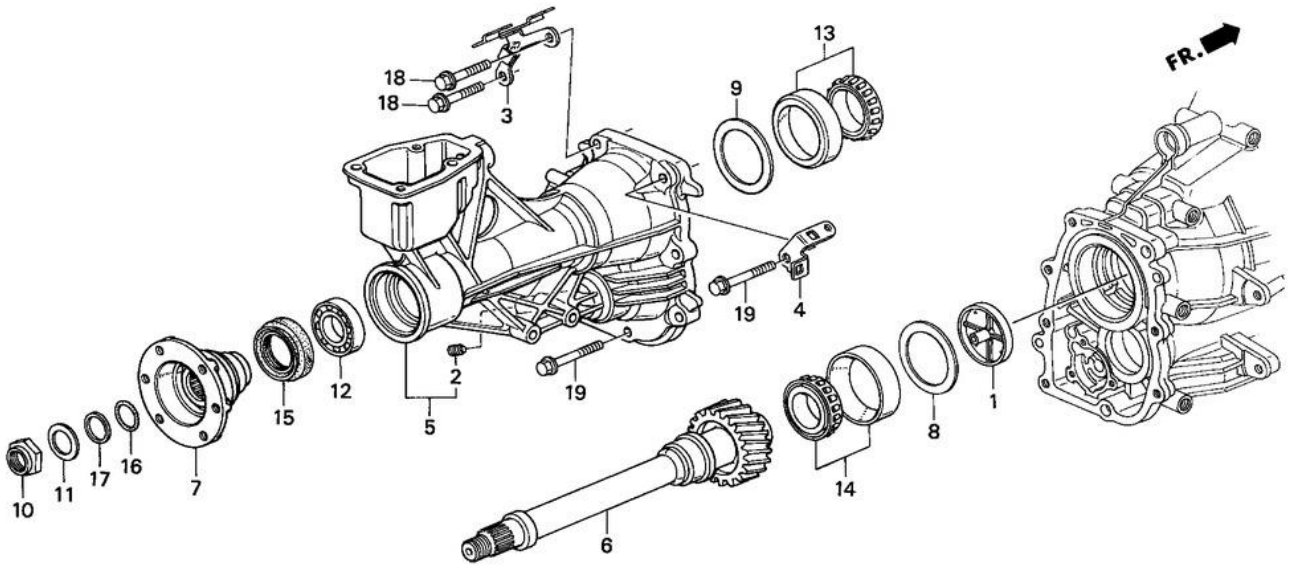
M-2 TRANSMISSION CASE



Ref	Part No	Honda Part No	Description	Price (Each)	Req Qty
1	PFKL410818	21104PX5010	PLATE M, OIL GUIDE	£8.11	1
2	PFKL411150	21168PCY305	ROTOR SET A, OIL PUMP (41)	£69.95	1
2	PFKL411151	21169PCY305	ROTOR SET B, OIL PUMP (41)	£69.95	1
2	PFKL411152	21170PCY305	ROTOR SET C, OIL PUMP (41)	£69.95	1
3	PFKL411157	21173PCY000	PLATE, OIL PUMP	£0.00	1
4	PFKL411167	21174PCY000	SHAFT, OIL PUMP	£0.00	1
5	PFKL411168	21175PCY000	GEAR, OIL PUMP	£45.71	1
6	PFKL411183	21180PR8016	STRAINER COMP., OIL PUMP	£41.04	1
7	PFKL411257	21200PCY000	CASE COMP., TRANSMISSION	£824.27	1
8	PFKL411628	21213PCY000	GUIDE, SUCTION	£0.00	1
9	PFKL411673	21220PCY000	HANGER COMP. A, TRANSMISSION	£12.10	1
10	PFKL411741	21225PCY000	HANGER, TRANSMISSION	£0.00	1
11	PFKL411970	21245PX4003	SCREW, SEALING	£8.09	1
12	PFKL434581	23943PR8F00	SHIM M, 82MM (0.96MM)	£0.00	1
12	PFKL434607	23944PR8F00	SHIM N, 82MM (0.99MM)	£0.00	1
12	PFKL434625	23945PR8F00	SHIM O, 82MM (1.02MM)	£0.00	1
12	PFKL434644	23946PR8F00	SHIM P, 82MM (1.05MM)	£0.00	1
12	PFKL434660	23947PR8F00	SHIM Q, 82MM (1.08MM)	£0.00	1
12	PFKL434677	23948PR8F00	SHIM R, 82MM (1.11MM)	£0.00	1
12	PFKL434691	23949PR8F00	SHIM S, 82MM (1.14MM)	£0.00	1
12	PFKL434706	23950PR8F00	SHIM T, 82MM (1.17MM)	£0.00	1
12	PFKL434723	23951PR8F00	SHIM U, 82MM (1.20MM)	£0.00	1
12	PFKL434559	23942PR8F00	SHIM L, 82MM (0.93MM)	£0.00	1
12	PFKL434530	23941PR8F00	SHIM K, 82MM (0.90MM)	£0.00	1
12	PFKL434506	23940PR8F00	SHIM J, 82MM (0.87MM)	£0.00	1
12	PFKL434310	23931PR8F00	SHIM A, 82MM (0.60MM)	£32.59	1
12	PFKL434344	23932PR8F00	SHIM B, 82MM (0.63MM)	£0.00	1

12	PFKL434365	23933PR8F00	SHIM C, 82MM (0.66MM)	£0.00	1
12	PFKL434391	23934PR8F00	SHIM D, 82MM (0.69MM)	£0.00	1
12	PFKL434412	23935PR8F00	SHIM E, 82MM (0.72MM)	£0.00	1
12	PFKL434433	23936PR8F00	SHIM F, 82MM (0.75MM)	£0.00	1
12	PFKL434450	23937PR8F00	SHIM G, 82MM (0.78MM)	£0.00	1
12	PFKL434468	23938PR8F00	SHIM H, 82MM (0.81MM)	£0.00	1
12	PFKL434487	23939PR8F00	SHIM I, 82MM (0.84MM)	£0.00	1
13	PFKL438864	24457PR8000	SPRING, RELIEF VALVE	£6.88	1
14	PFKL450285	28810PCJ014	PICK UP ASSY. (MATSUSHITA)	£135.72	1
15	PFKL533600	35600PCY003	SWITCH ASSY., BACK LIGHT	£28.34	1
16	PFKL978487	90081PB6000	BOLT, PLUG, 14MM	£11.84	1
17	PFKL997055	90604PCY000	CIRCLIP, 34.2	£5.11	1
18	PFKL1009936	91309PX4003	O-RING, 16X2.1 (NOK)	£4.52	1
19	PFKL1013182	91558PFD003	CLIP, HARNESS BAND (GRAY) (135MM) (7MM HOLE)	£4.60	1
20	PFKL1016785	9280012000	BOLT, DRAIN PLUG, 12MM	£3.71	1
21	PFKL1016788	9280020000	BOLT, DRAIN PLUG, 20MM	£5.18	1
22	PFKL1021514	9410912000	WASHER, DRAIN PLUG, 12MM	£1.70	1
23	PFKL1021515	9410914000	WASHER, DRAIN PLUG, 14MM	£1.70	2
24	PFKL1021517	9410920000	WASHER, DRAIN PLUG, 20MM	£1.70	1
25	PFKL1021720	9430114200	DOWEL PIN, 14X20	£2.98	2
26	PFKL1028286	957010601808	BOLT, FLANGE, 6X18	£1.92	1
27	PFKL1028514	957010804008	BOLT, FLANGE, 8X40	£2.15	12
28	PFKL1028529	957010805008	BOLT, FLANGE, 8X50	£2.38	2
29	PFKL1029668	960010601600	BOLT, FLANGE, 6X16	£2.21	3
30	PFKL1030027	9621110000	BALL, STEEL, #10 (5/16)	£0.91	1

M-2-10 SECONDARY SHAFT

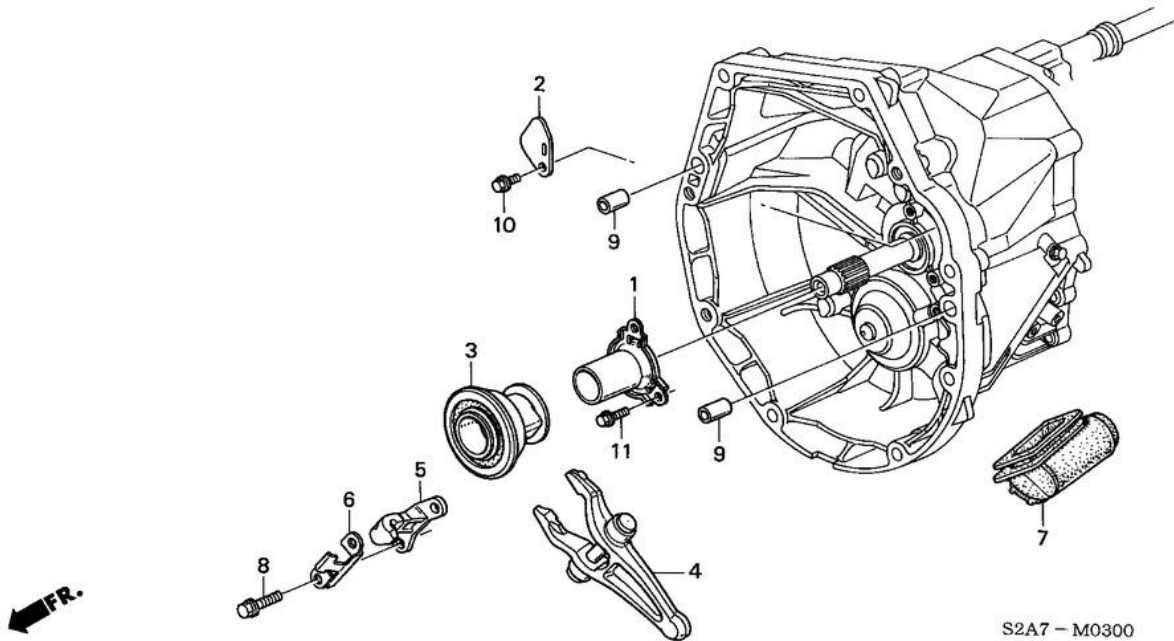


S2A7 - M0210

Ref	Part No	Honda Part No	Description	Price (Each)	Req Qty
1	PFL410824	21105PCY000	PLATE, OIL GUIDE SETTING	£8.75	1
2	PFL411970	21245PX4003	SCREW, SEALING	£8.09	1
3	PFL412532	21390PCY010	STAY COMP., HARNESS	£9.28	1
4	PFL412673	21398PCY000	CLAMP, HARNESS	£6.23	1
5	PFL412752	21500PCY010	COVER COMP., RR.	£345.12	1
6	PFL425588	23230PCY020	SHAFT COMP., SECONDARY	£191.03	1
7	PFL573370	40441PCY010	FLANGE, COMPANION	£0.00	1
8	PFL579498	41392PCY000	SHIM L, 68MM (1.23)	£10.70	1
8	PFL579505	41393PCY000	SHIM M, 68MM (1.26)	£10.70	1
8	PFL579511	41394PCY000	SHIM N, 68MM (1.29)	£0.00	1
8	PFL579517	41395PCY000	SHIM O, 68MM (1.32)	£0.00	1
8	PFL579523	41396PCY000	SHIM P, 68MM (1.35)	£0.00	1
8	PFL579529	41397PCY000	SHIM Q, 68MM (1.38)	£10.70	1
8	PFL579535	41398PCY000	SHIM R, 68MM (1.41)	£0.00	1
8	PFL579540	41399PCY000	SHIM S, 68MM (1.44)	£10.70	1
8	PFL579576	41400PCY000	SHIM T, 68MM (1.47)	£10.70	1
8	PFL579491	41391PCY000	SHIM K, 68MM (1.20)	£0.00	1
8	PFL579482	41390PCY000	SHIM J, 68MM (1.17)	£10.70	1
8	PFL579474	41389PCY000	SHIM I, 68MM (1.14)	£10.70	1
8	PFL579394	41382PCY000	SHIM B, 68MM (0.93)	£0.00	1
8	PFL579413	41383PCY000	SHIM C, 68MM (0.96)	£10.70	1
8	PFL579424	41384PCY000	SHIM D, 68MM (0.99)	£11.41	1
8	PFL579374	41381PCY000	SHIM A, 68MM (0.90)	£10.70	1
8	PFL579435	41385PCY000	SHIM E, 68MM (1.02)	£10.70	1
8	PFL579446	41386PCY000	SHIM F, 68MM (1.05)	£10.70	1
8	PFL579456	41387PCY000	SHIM G, 68MM (1.08)	£10.70	1
8	PFL579466	41388PCY000	SHIM H, 68MM (1.11)	£10.70	1

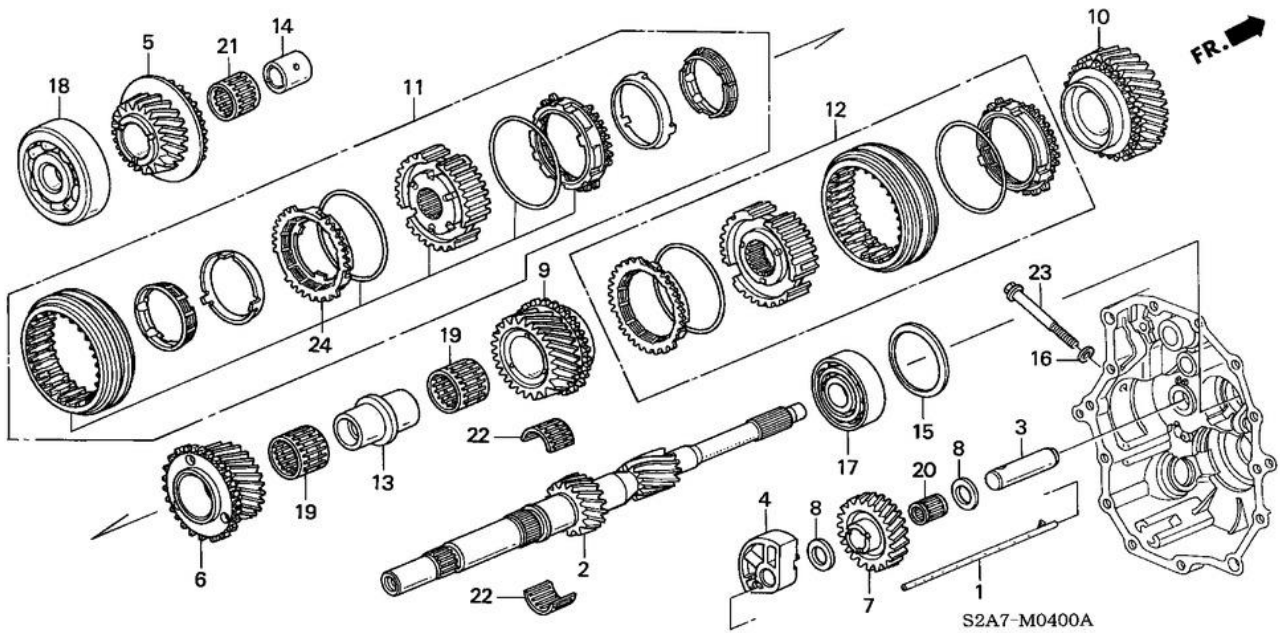
9	PFKL579424	41384PCY000	SHIM D, 68MM (0.99)	£11.41	1
10	PFKL988472	90203PCY000	NUT, HEX., 27MM	£8.11	1
11	PFKL991338	90402PL9000	WASHER, SPRING, 27MM	£8.20	1
12	PFKL1002602	91005PCY003	BEARING, BALL, 31X55X13	£28.04	1
13	PFKL1005461	91123PCY004	BEARING, TAPER, 41X68X20	£56.03	1
14	PFKL1005472	91124PCY004	BEARING, TAPER, 35X68X19	£56.03	1
15	PFKL1005681	91201PCY003	OIL SEAL, 40X60X9	£17.83	1
16	PFKL1008837	91301PCY003	O-RING, 28X2.6	£8.42	1
17	PFKL1009116	91302PCY003	RING, BACK UP, 28MM	£8.16	1
18	PFKL1028514	957010804008	BOLT, FLANGE, 8X40	£2.15	6
19	PFKL1028529	957010805008	BOLT, FLANGE, 8X50	£2.38	2

M-3 CLUTCH RELEASE



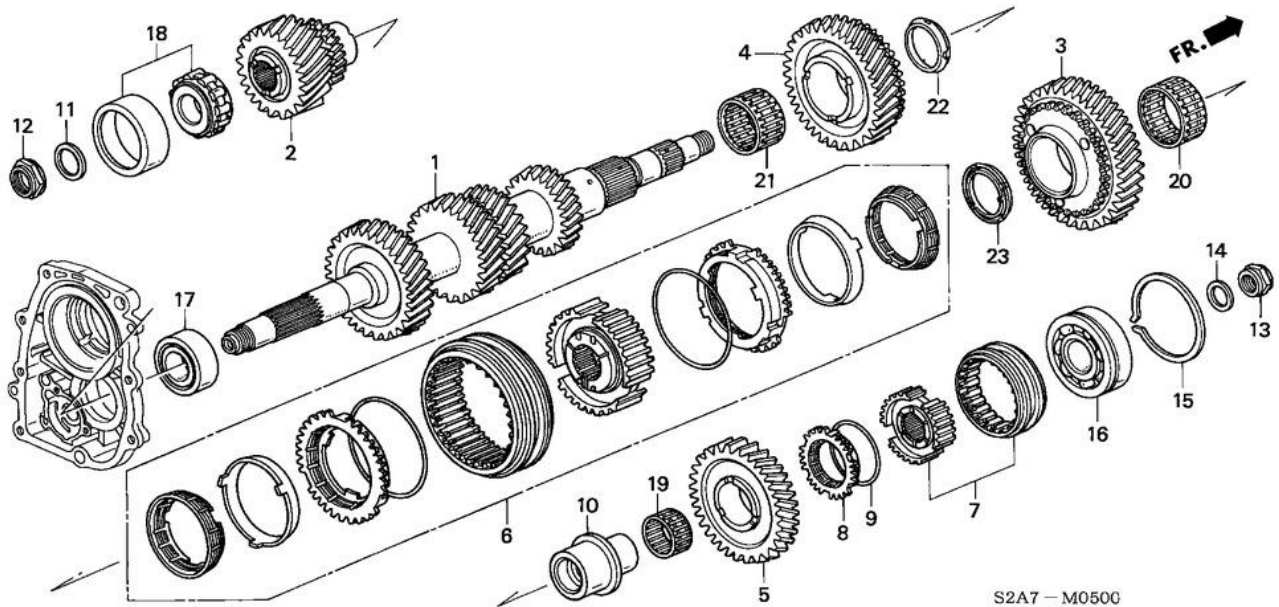
Ref	Part No	Honda Part No	Description	Price (Each)	Req Qty
1	PFKL410775	21103PCY003	GUIDE, RELEASE BEARING	£85.45	1
2	PFKL412675	21399PCY000	PLATE, BREATHER	£0.00	1
3	PFKL420415	22810PCY003	BEARING, CLUTCH RELEASE	£183.84	1
4	PFKL420697	22820PCY000	FORK COMP., CLUTCH RELEASE	£124.39	1
5	PFKL420860	22825PCY000	HANGER, CLUTCH RELEASE	£47.69	1
6	PFKL420974	22835PCY000	SPRING, RELEASE HANGER	£7.19	1
7	PFKL421078	22841PR8010	BOOT, RELEASE FORK	£53.42	1
8	PFKL977123	90031PR8000	BOLT, SPECIAL FLANGE, 8X22	£8.92	2
9	PFKL1021720	9430114200	DOWEL PIN, 14X20	£2.98	2
10	PFKL1028254	957010601208	BOLT, FLANGE, 6X12	£1.92	1
11	PFKL1028277	957010601608	BOLT, FLANGE, 6X16	£1.92	3

M-4 MAINSHAFT



Ref	Part No	Honda Part No	Description	Price (Each)	Req Qty
1	PFKL411173	21177PCY000	PIPE, OIL GUIDE	£0.00	1
2	PFKL424127	23210PCY010	MAINSHAFT COMP.	£0.00	1
3	PFKL425853	23261PCY000	SHAFT, REVERSE IDLE GEAR	£0.00	1
4	PFKL425891	23262PCY000	HOLDER, REVERSE SHAFT	£22.78	1
5	PFKL427959	23440PCY010	GEAR COMP., MAINSHAFT THIRD	£334.10	1
6	PFKL428929	23451PCY010	GEAR, MAINSHAFT FOURTH	£0.00	1
7	PFKL432407	23541PCY000	GEAR, REVERSE IDLE	£114.01	1
8	PFKL432455	23546PCY000	WASHER, THRUST, 20X33X2	£0.00	2
9	PFKL432557	23581PCY010	GEAR, MAINSHAFT FIFTH	£207.02	1
10	PFKL432661	23591PCY010	GEAR, MAINSHAFT SIXTH	£220.90	1
12	PFKL432799	23626PCY316	SLEEVE SET, SYNCHRONIZER (5-6)	£368.68	1
13	PFKL434144	23917PCY000	COLLAR, DISTANCE, 35X42X69	£55.57	1
14	PFKL434168	23919PCY000	COLLAR, DISTANCE, 28X35X35.2	£0.00	1
15	PFKL434277	23927PYZ000	WASHER, SPRING, 64MM	£8.26	1
16	PFKL993783	90471580000	PACKING, 8MM	£2.08	1
17	PFKL1001932	91002PCY003	BEARING, BALL, 28X64X18	£49.04	1
18	PFKL1002143	91003PCY003	BEARING, BALL, 28X82X22	£97.08	1
19	PFKL1005246	91105PCY003	BEARING, NEEDLE, 42X47X30.5	£21.02	2
20	PFKL1005318	91106PY5008	BEARING, NEEDLE, 20X25X26.5	£0.00	1
21	PFKL1005335	91107PCY013	BEARING, NEEDLE, 35X40X35	£19.73	1
22	PFKL1005374	91109PCY003	BEARING, NEEDLE, 39X44X26	£16.39	2
23	PFKL1029184	958010806508	BOLT, FLANGE, 8X65	£2.15	1
24	PFKL432721	23623PCY316	SLEEVE SET, SYNCHRONIZER (3-4)	£585.95	1

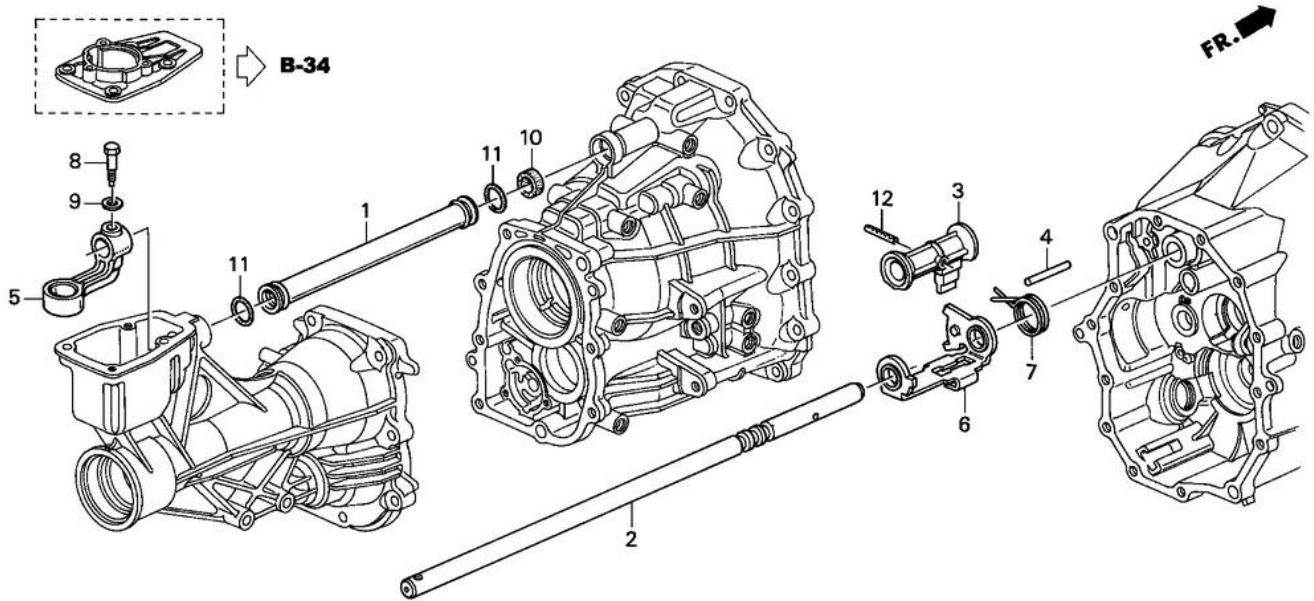
M-5 COUNTERSHAFT



S2A7 - M0500

Ref	Part No	Honda Part No	Description	Price (Each)	Req Qty
1	PFKL425308	23221PCY010	COUNTERSHAFT	£0.00	1
2	PFKL425779	23241PCY000	GEAR, SECONDARY DRIVE	£240.90	1
3	PFKL426869	23421PCY010	GEAR, COUNTERSHAFT LOW	£240.96	1
4	PFKL427582	23431PCY020	GEAR, COUNTERSHAFT SECOND	£200.83	1
5	PFKL432165	23521PCY000	GEAR, COUNTERSHAFT REVERSE	£0.00	1
6	PFKL432692	23618PCY326	SLEEVE SET, SYNCHRONIZER (1-2)	£629.63	1
7	PFKL432869	23627PCY000	SLEEVE SET, REVERSE HUB	£151.87	1
8	PFKL432949	23643PG1912	RING, BLOCKING, 50S	£98.57	1
9	PFKL432994	23652PB6000	SPRING, SYNCHRONIZER (50MM)	£8.42	1
10	PFKL434156	23918PCY000	COLLAR, DISTANCE, 31X40X38X51X5	£0.00	1
11	PFKL434222	23925PCY000	WASHER, SPRING, 29MM	£7.43	1
12	PFKL988393	90202PCY000	NUT, 29MM	£8.11	1
13	PFKL988472	90203PCY000	NUT, HEX., 27MM	£8.11	1
14	PFKL991338	90402PL9000	WASHER, SPRING, 27MM	£8.20	1
15	PFKL997258	90609PC8000	RING, SNAP, 68MM	£7.45	1
16	PFKL1002376	91004PCY005	BEARING, BALL, 28X68X18	£42.00	1
17	PFKL1004986	91102PCY003	BEARING, NEEDLE, 34X56X20	£63.02	1
18	PFKL1005183	91104PCY003	BEARING, NEEDLE, 30X64X20	£69.38	1
19	PFKL1005209	91104P21008	BEARING, NEEDLE, 38X43X26 (NTN)	£30.02	1
20	PFKL1005386	91110PCY003	BEARING, NEEDLE, 51X57X23	£19.70	1
21	PFKL1005390	91111PCY003	BEARING, NEEDLE, 44X50X28	£19.70	1
22	PFKL1007126	91211PH8T01	DAMPER, FRICTION (LOW) (KOYO)	£18.48	1

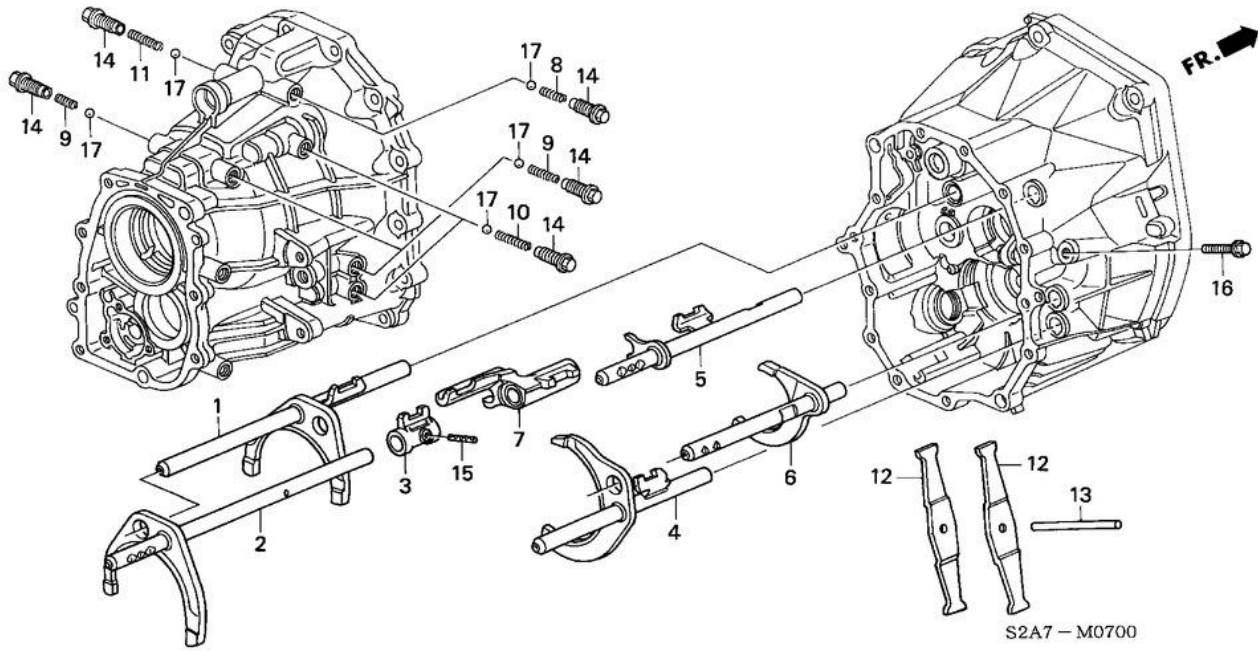
M-6 SHIFT ARM



S2A3- M0600A

Ref	Part No	Honda Part No	Description	Price (Each)	Req Qty
1	PFKL412958	21601PCY000	PIPE, SHIFT ROD	£29.86	1
2	PFKL437283	24311PCY000	ROD, SHIFT	£97.10	1
3	PFKL437956	24411PCY000	ARM A, SHIFT	£77.21	1
4	PFKL438081	24413PCY003	PIN, 8X40	£3.20	1
5	PFKL438147	24421PCY000	ARM B, SHIFT	£60.01	1
6	PFKL438281	24430PCY000	INTERLOCK COMP.	£77.21	1
7	PFKL438868	24458PCY000	SPRING, SELECT RETURN	£8.20	1
8	PFKL977012	90029PL3010	BOLT, SPECIAL, 8MM	£5.58	1
9	PFKL991869	90412679000	WASHER, CONICAL SPRING, 8MM	£2.80	1
10	PFKL1007067	91209PCY003	OIL SEAL, 16X26X6.5X7.1	£10.18	1
11	PFKL1010064	91312P13000	O-RING, 22.2X3.2	£6.36	2
12	PFKL1021864	9430550252	PIN, SPRING, 5X25	£2.41	1

M-7 SHIFT FORK



Ref	Part No	Honda Part No	Description	Price (Each)	Req Qty
1	PFKL435431	24200PCY000	FORK COMP., FIFTH-SIXTH SHIFT	£148.93	1
2	PFKL435503	24210PCY000	FORK COMP., GEARSHIFT (3-4)	£111.73	1
3	PFKL436050	24214PCY000	PIECE, THIRD-FOURTH SHIFT	£58.48	1
4	PFKL436067	24220PCY000	FORK COMP., GEARSHIFT (1-2)	£148.93	1
5	PFKL436257	24226PCY000	PIECE COMP., SHIFT (1-2)	£0.00	1
6	PFKL436265	24230PCY000	FORK COMP., REVERSE SHIFT	£0.00	1
7	PFKL436396	24234PCY000	PIECE COMP., REVERSE SHIFT	£0.00	1
8	PFKL438833	24454PCY000	SPRING, SELECT	£5.68	1
9	PFKL438844	24455PCY000	SPRING A, FORK SET BALL	£5.68	3
10	PFKL438853	24456PCY000	SPRING B, FORK SET BALL	£4.50	2
11	PFKL438862	24457PCY000	SPRING, SHIFT	£5.68	1
12	PFKL439053	24491PCY000	LEVER, SHIFT (1-2)	£0.00	2
13	PFKL439056	24494PCY003	PIN, 8X63	£0.00	1
14	PFKL439081	24519PB6000	SCREW, BALL SPRING SETTING	£7.30	7
15	PFKL1021862	9430550222	PIN, SPRING, 5X22	£2.41	1
16	PFKL1028625	957011003008	BOLT, FLANGE, 10X30	£2.38	1
17	PFKL1030027	9621110000	BALL, STEEL, #10 (5/16)	£0.91	7